

| | | | | | | | |
|-------------------------------------|---------------|---------------------------------|---------------|---------------------------------|-----------------|----------------------------------|-----------|
| Accessories | 7, 8, 212-214 | Door Window Seals | 153 | Interior | 5, 6, 184 - 189 | Steering Box | 122 |
| Accel Linkage & Related | 142 | Electrical Misc | 157, 199, 200 | Interior Packages | 5 | Steering Column | 197, 198 |
| Air Cleaner | 131, 132 | Electrical Switches | 199, 200 | Interior Dye | 185 | Steering Linkage | 122 |
| Air Conditioning | 179 | Emblems | 156 | Interior Trim & Moldings | 184 - 189 | Steering - Manual | 122 |
| Alternator Pulleys & Brackets | 158 | Engine Compartment | 157-162 | Jacks | 197 | Steering - Power | 121, 122 |
| Antenna | 133 | Engine Comp Seal Kits | 161 | Kick Panel | 189 | Stereos (Custom-Fit) | 212, 214 |
| Arm Rests | 185 | Engine Mounts | 159 | Light Bulb Kits | 207 | Sunvisors | 188 |
| Ashtray | 143, 144 | Exhaust & Related | 163-165, 214 | Lights & Lamps | 190 | Suspension - Front | 123 - 125 |
| Astro Ventilation | 167 | Exhaust Manifolds | 165 | Locks & Related | 191 | Suspension - Rear | 125 - 130 |
| Battery | 133 | Expansion Tanks | 149 | Luggage Racks | 167 | Switches | 199, 200 |
| Body Mounting | 134 | Exterior Trim & Moldings | 166, 167 | Manuals | 208 - 211 | T-Top Headliner Pads | 188 |
| Books & Manuals | 208-211 | Fans, Shrouds, Etc | 148 | Master Cylinders | 136 | T-TOPS, Bags & Related | 8, 200 |
| Brake Calipers & Related | 137 | Fan Shroud Seals | 146, 147 | Mirrors & Related | 191, 192 | Tach Cables | 141 |
| Brake Lines & Related | 135, 136 | Fasteners & Bolts | 168, 169 | Oil System | 160, 161 | Thermostat Housings | 149 |
| Brake Pedal Pads | 174 | Fiberglass | 170-172 | PCV Sytem | 162 | Tie Straps | 207 |
| Bumpers & Related | 138-140 | Firewall Grommets, Etc | 172 | Parking Brake Hardware | 136 | Timing Covers | 159 |
| Cables | 141 | Firewall Insulation | 172 | Parking Brake Cover | 143 | Tools | 9 |
| Calipers & Related | 137 | Floor Mats | 184 | Power Brake Booster | 136 | Trailing Arms | 125, 129 |
| Capacitors | 192 | Frame | 134 | Power Steering | 121, 122 | Transmission | 195, 196 |
| Car Covers | 7 | Fuel System | 173, 174 | Radiator & Related | 145-149 | Trans Mounts | 195 |
| Carburetor & Related | 141, 142 | Fuel Vapor Canisters | 174 | Radiator Seals | 146, 147 | Trim Rings | 203 |
| Carpet | 184 | Fuse & Flasher Kits | 207 | Radios, Etc | 192, 212, 213 | U-Joints & Related | 128 |
| Choke Rods, Etc | 142 | Gas Door | 176 | Rear Deck Vents & Related | 167 | Vacuum Advance Lines | 141 |
| Clean Air Tubes | 141 | Gas Lines & Related | 173, 174 | Rear End | 130 | Valve Covers & Related | 160 |
| Clocks | 142 | Gas Pedal Pads | 174 | Rear Storage Comp | 187, 188 | Vapor Canisters | 162 |
| Clutch | 196 | Gas Tank & Related | 175, 176 | Relays | 199, 200 | Voltage Regulators | 157, 200 |
| Console | 143, 144 | Gaskets & Seals | 174 | Rocker Moldings | 167 | Water Outlets | 149 |
| Conv Tops & Related | 144 | Gauges & Lenses | 176 | Seat Belts & Related | 194 | Water Pump Fittings, Etc | 148, 179 |
| Conv Top Hardware | 144, 145 | Glove Box | 150 | Seat Belt Mounting | 194 | Water Pumps | 149 |
| Cooling System | 145-149 | Grill | 177 | Seat Covers, Foam, Etc | 186 | Water Pump Pulleys | 159 |
| Courtesy Lights | 190 | Hardtop Hardware | 177, 178 | Seat Trim & Hardware | 193, 194 | Weatherstripping | 201, 202 |
| Crankcase Vent Tubes | 131, 132 | Headlight | 179, 180 | Shifter & Transmission | 195, 196 | Wheel Bearings | 124 |
| Crank Balancers & Pulleys | 159 | Headliner | 185 | Shifter Boots | 143, 144 | Wheels & Trim Rings | 203 |
| Cruise Control | 157 | Heat Barrier Kits | 184 | Shocks | 125 | Window Channels | 153 |
| Dash | 150 | Heater & Related | 178, 179 | Shocks - Rear Hatch | 189 | Window Moldings - Rear | 167 |
| Dash Pads | 185 | Hood Hardware | 181, 182 | Side Exhaust | 165 | Window Seals | 153 |
| Decals | 150, 151 | Hoods | 172 | Sill Plates | 189 | Windshield Frame | 166 |
| Deck Lid Hardware | 144, 145 | Horns | 157 | Spare Tire Carrier | 197 | Windshield Trim - Exterior | 166 |
| Distributor | 154, 155 | Hose Clamps | 147 | Spark Plug Wires | 157 | Windshield Trim - Interior | 188 |
| Door Hardware | 152 - 154 | Ignition Coils | 155 | Speedo Cables | 141 | Windshield Wiper | 204, 205 |
| Door Panels | 184, 185 | Ignition Shielding | 182, 183 | Splash Shields | 161 | Wiper Compartment Cover | 8 |
| Door Panel Trim | 184, 185 | Idle Pulley | 159 | Spoilers | 140, 166 | Wiring Harnesses | 205-207 |
| Door Pulls | 185 | Intake Manifold & Related | 148, 162 | Starter Related | 157 | | |

ACCESSORIES INDEX

| | | | | | |
|---------------------------|-----------|----------------------|-------------|-------------------------------|-----------|
| Battery Disconnects | 7 | Fender Covers | 8 | Paint Protectors | 7 |
| Books | 208 - 211 | Hardtop Hoist | 36, 97, 178 | Stereos (Custom-Fit) | 212 - 214 |
| Car Covers | 7 | License Frames | 8 | T-Tops | 8 |
| Car Duster | 7 | License Plates | 8 | T-Top Bags | 8 |
| Cup Holder | 8 | Manuals | 208 - 211 | Tools | 9 |
| Deck Lid Protectors | 7 | Paints | 9 | Wiper Compartment Cover | 8 |

ABBREVIATIONS

| | |
|----------------|----------------------------|
| L, Lt | Driver's Side |
| R, Rt | Passenger's Side |
| A/C, Air | Air Conditioning |
| A.I.R. | Air Injector Reactor |
| BB | Big Block |
| Conv | Convertible |
| Cpe | Coupe |
| DISC | Discontinued |
| F.I. | Fuel Injection |
| H.D. | Heavy Duty |
| I.D. | Inside Diameter |
| LD | Limited Discount Available |
| ND | No Discount Available |
| N.O.S. | New Old Stock |

ABBREVIATIONS

| | |
|-----------------|-------------------------|
| O.D. | Outside Diameter |
| P.S. | Power Steering |
| PB or P/B | Power Brake |
| PM | Press Molded Fiberglass |
| Repl | Replacement |
| Repro | Reproduction |
| SB | Small Block |
| SS | Stainless Steel |
| SpHiPer | Special HiPerformance |
| Std | Standard |
| (T) | Truck Shipped |
| T & T | Tilt & Telescopic |
| w/ | with |
| w/o | without |

**DETAILED
ORDERING
INFORMATION
See Inside
Back Cover**

**ORDER
FORM
See Last
Page**

Copyright 2006
Corvette World, Irwin,
Pennsylvania. No part of this
publication can be reproduced
in whole or in part without the
prior written permission of
Corvette World. Printed in USA



INTERIORS

5

#5280 68 Package #1 -- Package Price \$749.00 ND

| | |
|-----------------------------------|---------------|
| Vinyl Seat Covers | 239.00 |
| Door Panels, pr (less trim) | 418.00 |
| Carpet Set | <u>239.00</u> |
| | List 896.00 |

#5281 68 Package #2 -- Package Price \$949.00 ND

| | |
|-----------------------------------|---------------|
| Leather Seat Covers | 469.00 |
| Door Panels, pr (less trim) | 418.00 |
| Carpet Set | <u>239.00</u> |
| | List 1126.00 |

For 68 Door Panels with Trim **ADD \$180.00** to above prices

#5282 69 Package #1 -- Package Price \$739.00 ND

| | |
|-----------------------------------|---------------|
| Vinyl Seat Covers | 239.00 |
| Door Panels, pr (less trim) | 458.00 |
| Carpet Set | <u>239.00</u> |
| | List 926.00 |

#5283 69 Package #2 -- Package Price \$949.00 ND

| | |
|-----------------------------------|---------------|
| Leather Seat Covers | 459.00 |
| Door Panels, pr (less trim) | 458.00 |
| Carpet Set | <u>239.00</u> |
| | List 1146.00 |

For 69 Door Panels with Trim **ADD \$140.00** to above prices

Seat Covers: 68-69 leather seat covers were 100% leather. 70-72 seat covers were constructed of leather except for 2 vinyl pull tabs & 1 vinyl insert beneath the seat back bezel. 73-82 seat covers originally had leather tops, backs, and sides - but the skirts were made of vinyl.

#5284 70-76 Standard Package -- Price \$759.00 ND

| | |
|-----------------------------------|---------------|
| Vinyl Seat Covers | 239.00 |
| Door Panels, pr (less trim) | 418.00 |
| Carpet Set | <u>239.00</u> |
| | List 896.00 |

For 70-76 Door Panels with Trim **ADD \$140.00** to price

#5285 70-72 Deluxe Package #1 -- Price \$939.00 ND

#5238 73-77 Deluxe Package #1 -- Price \$879.00 ND

| | |
|-----------------------------------|---------------|
| Leather Seat Covers | 469.00 |
| Door Panels, pr (less trim) | 418.00 |
| Carpet Set | <u>239.00</u> |
| | List 1116.00 |

#5286 70-72 Deluxe Package #2 -- Price \$1229.00 ND

#5239 73-77 Deluxe Package #2 -- Price \$1159.00 ND

| | |
|-----------------------------------|---------------|
| Leather Seat Covers | 469.00 |
| Door Panels, pr (with trim) | 778.00 |
| Carpet Set | <u>239.00</u> |
| | List 1476.00 |

#5287 78-82 Interior Package (does not include Collector's Edition) -- Price \$979.00 ND

| | |
|-----------------------------------|---------------|
| Leather Seat Covers | 389.00 |
| Door Panels, pr (less trim) | 478.00 |
| Carpet Set | <u>309.00</u> |
| | List 1166.00 |

For 70-82 100% Leather Seat Covers **ADD \$85.00** to above 3 packages



See **NEXT PAGE** for more **INTERIOR ITEMS**

See **PAGES 184 - 189** for a complete listing of all 68-82 Interior Parts





68 Deluxe Panel - Page 184



69 Deluxe Panel - Page 184



70-77 Basic Panel - Page 184



70-76 Standard Panel - Page 184



70-76 Deluxe Panel - Page 184



78-82 Panel - Page 184



Seat Upholstery & Related - Page 186



79-82



Dash Items - Page 185
Steering Covers - Page 197



Header & Pillar Moldings
Page 188



Sunvisors - Page 188



68 early 68 late 70-78
Seat Backs - Page 186



T-Top Pads & Related
Page 188



68-82 Replacement Belts



Consoles - Page 143-144



Floor Mats
Page 184



Carpet Sets - Page 184



Rear Compartments
Page 187-188



Console
Panels
Page 186



78-82 Arm Rests - Page 185



SATIN STRETCH Custom Car Covers

Our Finest Indoor Cover. Satin Stretch has Lycra fibers for stretch in both directions. The inner liner is the softest fleece available, specially designed not to rub off on convertible tops. Standard Color is Gray, but Black, Navy, Tan, Yellow, Red, and Pearl White are available as special orders. Add \$ 35 for a Corvette Logo.

| | | | |
|------|--------|---|-----------|
| 1001 | 53-55 | Satin Stretch Car Cover | 229.00 ea |
| 1002 | 56-62 | Satin Stretch Car Cover | 229.00 ea |
| 1003 | 63-67 | Coupe - No Mirror Pockets | 229.00 ea |
| 1004 | 63-67 | Conv. - LH Mirror Pocket..... | 229.00 ea |
| 1006 | 68-78 | LH Mirror Pocket (A) or Two Pockets (B).. | 229.00 ea |
| 1010 | 78P-82 | 78 Pace and 79-82 | 229.00 ea |

STORMPROOF Car Covers

Our Finest Outdoor Cover. Stormproof Material is the most waterproof, breathable cover designed by Coverking. The micro-fiber base material is soft to the touch. The material is Untreated, Uncoated, and Unprocessed, therefore it can not wear off, scratch off, or simply wash off. Add \$35 for a Corvette Logo. Add \$80 for Two-Tone

| | | | |
|-------|--------|------------------------------|-----------|
| 10667 | 56-62 | Stormproof Cover - Gray..... | 259.00 ea |
| 10668 | 63-67 | Stormproof Cover - Gray..... | 259.00 ea |
| 10669 | 68-78 | Stormproof Cover - Gray..... | 259.00 ea |
| 10670 | 78P-82 | Stormproof Cover - Gray..... | 259.00 ea |

TRI-GUARD Car Covers

Tri-Guard Custom Car Cover is perfect for mild weather and indoor storage. This lightweight, three layer material is treated with UV inhibitors. Only available in gray. Add \$35 for a Corvette Logo.

| | | | |
|-------|--------|---|-----------|
| 10671 | 56-62 | Tri-Guard Cover | 109.95 ea |
| 10672 | 63-67 | Tri-Guard Cover Specify Coupe or Conv. | 109.95 ea |
| 10673 | 68-78 | Tri-Guard Cover Specify 1 or 2 Mirrors... | 109.95 ea |
| 10674 | 78P-82 | Tri-Guard Cover | 109.95 ea |

SILVERGUARD Car Cover

Silverguard is a 300 denier polyester material with a reflective and water resistant coating. It is a great choice for most conditions, except extreme rain, snow or ice. Add \$35 for a Corvette Logo.

| | | | |
|-------|--------|--|-----------|
| 10675 | 56-62 | Silverguard Car Cover | 129.00 ea |
| 10676 | 63-67 | Silverguard (Specify Coupe or Conv.)..... | 129.00 ea |
| 10677 | 68-78 | Silverguard (Specify 1 or 2 Mirrors) | 129.00 ea |
| 10678 | 78P-82 | Silverguard Car Cover..... | 129.00 ea |

NOAH Car Covers

NOAH is the newest and best Corvette cover available from Wolf - the pros of vehicle protection. NOAH combines barrier protection with superior breathability that will release condensation and moisture trapped between your cover and your Corvette. Constructed of a revolutionay 3-Layer fabric developed by Kimberly-Clark. Ideal for indoor and outdoor use. Gray

| | | | |
|------|-------|----------------------|--------------|
| 6744 | 53-62 | NOAH Car Cover | 159.95 ea ND |
| 6745 | 63-67 | NOAH Car Cover | 159.95 ea ND |
| 6746 | 68-79 | NOAH Car Cover | 159.95 ea ND |
| 6747 | 80-82 | NOAH Car Cover | 159.95 ea ND |



BATTERY MASTER SWITCH

Installs in minutes to stop battery drain or electrical fires on stored cars. Also by removing the knob you can help avoid theft. Use them on all your cars !!

| | | |
|------|---|----------|
| 6636 | Top Post Battery Disconnect Switch | 9.95 ea |
| 6637 | Side Post Battery Disconnect Switch | 12.95 ea |

THE ORIGINAL CAR DUSTER

Pass this duster over the surface of the car lightly & pick-up all dust without scratching the surface. Comes with storage pouch & instructions.

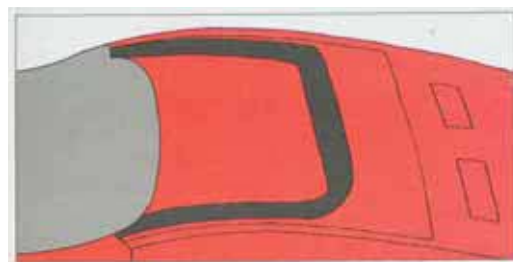
| | | |
|------|---------------------------|----------|
| 7160 | Original Car Duster | 19.95 ea |
|------|---------------------------|----------|



63-82 Clearastic Paint Protectors

Clearastic is a great way to protect your paint. To apply pre-cut flexible film, simply press it on (adheres by static electricity). To remove just peel it off. The clear film lets the body color show through so the product is almost invisible.

| | | | |
|------|-------|---------------------------|----------|
| 6660 | 63-67 | Behind Rear Wheel | 22.25 pr |
| 6664 | 69-82 | Front of Rear Wheel | 22.25 pr |
| 6665 | 74-82 | Behind Rear Wheel | 22.25 pr |



1953-75 DECK LID PROTECTORS

Prevent your softtop or hardtop from scratching your deck lid. Deck Lid Protectors are static cling film (no adhesive needed). **Specify Clear or Black and Hardtop or Softtop.**

| | | | |
|------|-------|--------------------------|------------|
| 9082 | 56-62 | Deck Lid Protector | 27.00 ea |
| 9083 | 63-67 | Deck Lid Protector | 27.00 ea |
| 9084 | 68-75 | Deck Lid Protector | 27.00 eaST |



5000 68-82 Cup Holder 29.95 ea
 Installation of this tray allows you to still operate the emergency brake handle. On 68-76 models it uses factory console screw holes, and 77-82 models use 2 screws into carpeted sides of console. Screws included.



GLASST-Tops

1013 68-82 Glass T-Tops (Mirrored Glass - Gray Tint) All Glass Roof Panels 1049.00 pr ND
 These tops have the same appearance as the factory glass roofs, but at a lesser price. These t-tops are mirrored glass from the outside and have a gray tint on the inside. Made of tempered glass these Roof Panels are less prone to breakage when compared to the factory laminated glass tops. They are of the same design all the GM panels.

Slight modification necessary on 68-77 Corvettes



68-82 T-TOP Bags

T-Top Storage Bags with soft lining and velcro fasteners. Available in BLACK, DARK RED, GRAY, DARK BROWN, TAN, OYSTER, DARK BLUE.

7020__ 68-82 T-Top Storage Bags - available in colors listed above 39.95 pr



1938 53-82 Clip on License Frame - Stainless (repro of the original) 15.95 ea
6116__ 65-82 License Frame with Year of Car 14.95 ea
 Specify Year of Car when ordering.

Durable die-cast metal frames feature raised Corvette Logo and Year of Car. Frames are chrome with raised black letters.



56-79 Plates are top mount -- 80-82 Plates are Bottom Mount

1933 56-79 License Plate Chrome Letters (A) 7.95 ea
1935 56-79 License Plate w/Chrome Letters and Border 8.50 ea
1932 56-79 License Plate w/Gold Letters and Border 8.50 ea
1936 80-82 License Plate Chrome Letters (E) 7.95 ea
1934 80-82 License Plate w/Chrome Letters and Border 8.50 ea
1899 80-82 License Plate w/Gold Letters and Border 8.50 ea
1716 ALL Frt. License Plate Mounting Screw, Nut and Bumper Set 3.50 set



73-82 WIPER COMPARTMENT COVER

Made of durable ABS plastic, the wiper compartment cover fits neatly onto the cowl area of your Corvette for a clean, finished appearance. Available in black, you can install as is or paint to match your exterior color. Fiberglass or rivet into place.

9105 73-82 Wiper Compartment Cover - Black 54.95 ea



FENDER COVERS

Heavy Duty, foam backed vinyl construction with a rubber reinforced tool ridge for extra padding.

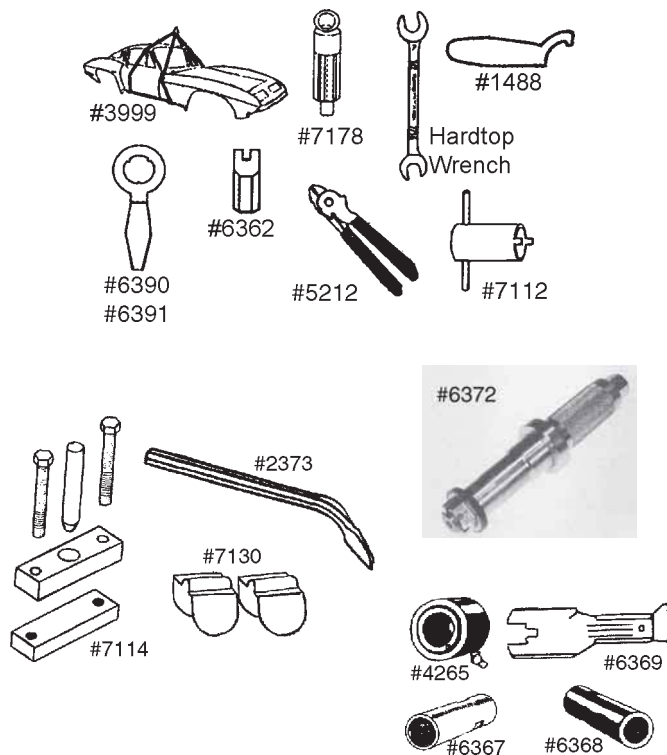
9183 ALL Fender Cover - Blue Emblems 17.95 ea
9184 ALL Fender Cover - Red Emblems 17.95 ea
9185 ALL Fender Cover - Corvette 17.95 ea
9186 ALL Fender Cover - Heartbeat of America ... 17.95 ea



PAINTS & ADHESIVES

| | | | |
|------|-------|---|-------------|
| 3697 | ALL | 3M Spray Trim Adhesive | 14.95 can |
| 3604 | ALL | Trim Adhesive - Brush On, Quart | 14.95 Qt ND |
| 1239 | ALL | 3M Weatherstrip Adhesive - Black | 7.95 ea |
| 1240 | ALL | 3M Weatherstrip Adhesive - Amber | 7.95 ea |
| 4940 | 53-82 | Vinyl Dye - Aerosol | 17.00 ea |
| 4941 | 53-82 | Vinyl Dye - Quart | 59.00 ea ND |
| | | | |
| 5908 | 63-67 | Instrument Needle Fluorescent Orange Touch-Up Paint (3/4 oz. Jar) | 4.00 jar ND |
| 9825 | 63-67 | **Dull Aluminum Paint (12 oz. Spray) (63-64 Dash, 63-64 Frosted Hubcaps, 66-67 Grill) | 6.50 can |
| 4158 | 63-72 | **Shock Absorber Gray (12 oz. Spray) | 6.50 can |
| 6383 | 63-82 | **Rear Spring Gray Paint (12 oz. Spray) ... | 7.50 can |
| 5372 | ALL | **Stainless Steel Spray Paint (for driveshaft, axles, etc) | 7.50 can |
| 5904 | ALL | CAST BLAST "The Original" | 7.50 can |
| | | Use on cylinder heads, engine blocks and other cast iron parts. Cast Iron Gray. (12 oz spray) | |
| 5906 | ALL | Alumi-Blast | 7.95 can |
| | | Used to revive any Aluminum part | |
| 5907 | ALL | **Chevy Orange Engine Paint | 6.95 can |
| 2499 | 67-82 | Rally Wheel Paint (12 oz. Spray) | 7.95 can |
| 2498 | 65-67 | **Hubcap and Aluminum Wheel Paint (12 oz. Spray) Dark Gray Color | 8.95 can |
| 5276 | ALL | **Semi-Gloss Black Paint (Fan Shrouds, Splash Pans, and other metal Parts) | 7.00 can |
| 5905 | ALL | CAST BLAST 1200 Manifold Coating | 9.95 can |
| | | Hi Temp., heat resistant coating ideal for exhaust manifolds. Cast Iron Gray. (12 oz. spray) | |
| 5998 | ALL | "Hot Stuff" Exhaust Manifold Dressing | 12.95 ea |
| | | • Hi Temp 2400f • Durable Raw Cast Iron Appearance • Brush-On Application- does several manifolds | |

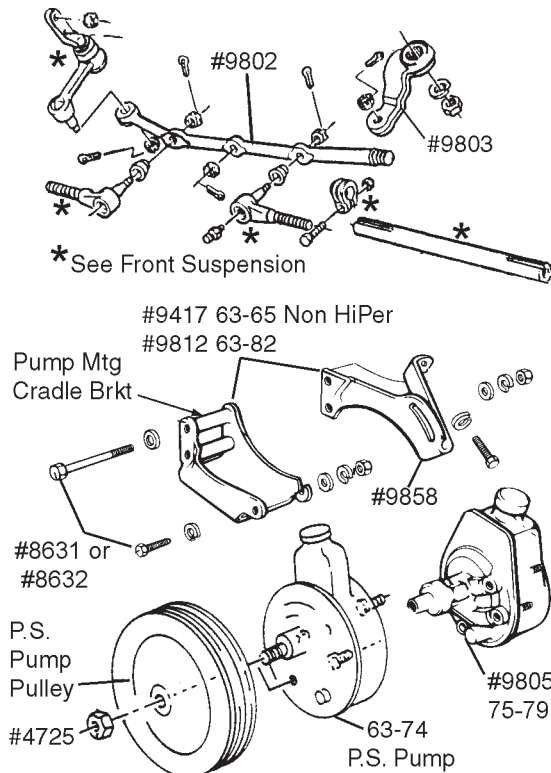
Paint marked with ** cannot ship to CA due to environmental regulations.
All paints and hazardous materials cannot be shipped by air.



TOOLS

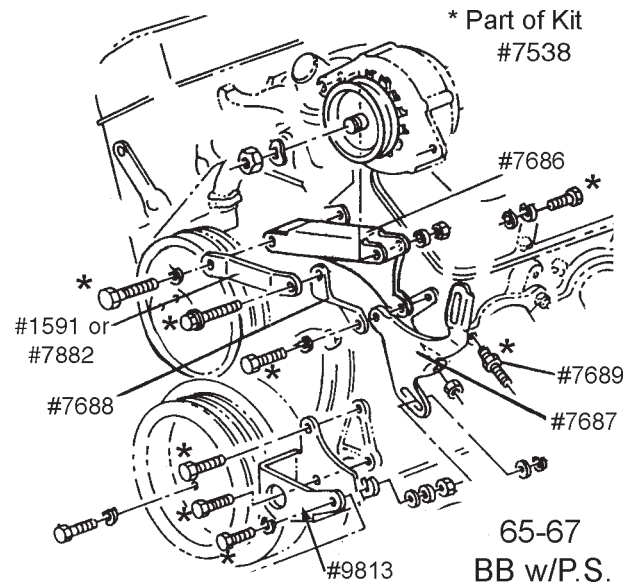
| | | | |
|-------|-------|--|-------------|
| 3999 | 63-82 | Body Lift Sling Kit | 79.00 ea ND |
| 2373 | 68-82 | Door Hinge Spring Installation Tool ... | 11.95 ea |
| 6369 | 53-82 | Window Crank Handle Remover Tool | 4.95 ea |
| 6362 | 59-67 | Screwdriver Tip for Sunvisor Nuts | 5.00 ea |
| 5212 | 53-82 | Hog Ring Pliers | 7.95 ea |
| 1518 | 62-74 | Distributor Upper & Lower Bushing Installation Tool | 8.50 ea |
| 7130 | 65-82 | Brake Pad Installation Tool (set of 2) .. | 12.95 set |
| | | Holds the spring loaded caliper pistons in place while new pads are installed, (set of 4 does one caliper - both pads) | |
| 7178 | Any | Clutch Pivot Tool for aligning 10 Spline Clutch | 5.95 ea |
| 4265 | 63-82 | Rear Wheel Bearing Greaser | 9.95 ea |
| | | Designed to get grease to failure prone rear bearing. | |
| 7114 | 63-82 | Rear Trailing Arm Bushing Installation Tool | 54.95 ea |
| | | Staking Tool for installing the forward bushing in the rear control arms. | |
| 6390 | 56-65 | Ignition Switch Nut Wrench | 8.50 ea |
| 6391 | 66-67 | Ignition Switch Nut Wrench | 8.50 ea |
| 7112 | 61-82 | Ignition Switch Nut Wrench (63-67 heater cable, 68-82 headlight switch, 61-62 headlight switch and wiper switch) | 10.00 ea |
| 6367 | 63-82 | Spindle Remover (Knocker) Tool | 18.95 ea |
| 6368 | 63-82 | Shock Bolt Remover (Knocker) Tool | 17.95 ea |
| 6360 | 63-82 | Rear Spindle Installation Tool use this tool to pull the spindle & bearings into the carrier without damage to the bearings, threads or seals | 69.95 ea |
| 6372 | 63-82 | Spindle/Rear Axle Bearing Set-up Tool | 89.95 ea |
| | | (used to set up proper end play without damage to bearing or rear spindle) | |
| 10055 | 56-62 | Clutch Head Screwdrivers (4) | 19.95 set |

63-82 Power Steering Components



| | | | |
|-------------|--------------|--|------------------|
| 9802 | 63-82 | Steering Relay Rod w/P.S. | 149.00 ea |
| 9803 | 63-82 | Pitman Arm w/P.S. | 54.95 ea |
| 9804 | 63-74 | P.S. Pump Rebuilt - Less Pulley (+ \$70.00 Refundable Core Charge) Exchange | 79.95 ea ND |
| 9805 | 75-79 | P.S. Pump Rebuilt - Less Pulley (+ \$70.00 Refundable Core Charge) Exchange | 79.95 ea ND |
| 9806 | 80-82 | P.S. Pump Rebuilt - Less Pulley (+ \$70.00 Refundable Core Charge) Exchange | 79.95 ea ND |
| 9362 | 63-82 | P.S. Pump Seal Kit | 15.00 kit |
| 9807 | 63-82 | P.S. Pump Cap-round repl. | 6.50 ea |
| 9808 | 63-74 | Power Steering Pump Pulley (Single Groove - Stamped Steel) #3770509 - Exact Repro 63-67 250-300 All, 63-67 350 w/Air, 68 327 exc 350 no air, 69-74 350 w/Air ... | 57.50 ea |
| 9675 | 63-74 | Power Steering Pump Pulley (Single Groove Fits same as #9808 - Replacement | 47.00 ea |
| 9809 | 65-74 | Power Steering Pump Pulley (Single Groove - Cast) Fits 65-68 327/350HP no air & 69-74 350 no Air | 94.00 ea |
| 9810 | 66-74 | 427, 454 Power Steering Pump Pulley (2 Groove Cast) | 104.00 ea |
| 4725 | 63-74 | Power Steering Pump Pulley Nut | 2.50 ea |
| 9811 | 75-82 | Power Steering Pump Pulley | 39.00 ea |
| 9417 | 63-65 | P.S. Pump Bracket Set (#9858 & #9163) 327 except SpHiPerf | 39.00 kit |
| 9812 | 63-82 | P.S. Pump Bracket Set (#9858 & #9864) 63-65 327 w/SpHiPerf, 66-82 all SB | 42.00 kit |
| 9858 | 63-82 | PS Pump Adjusting Bracket - SB | 22.00 ea |
| 9163 | 63-65 | PS Pump Cradle Bracket - 327 except SpHiPerf | 24.00 ea |
| 9864 | 63-82 | PS Pump Cradle Bracket - 63-65 327 with SpHiPerf and 66-82 All SB | 26.00 ea |
| 8631 | 63-65 | PS Pump Brkts to Engine Block Bolt Kit (3 bolts, nuts and washers) 327 exc SpHiPerf | 5.50 set |
| 8632 | 63-82 | P.S. Pump Brkts to Engine Block Bolt Kit (2 long bolts, 1 short bolt, nuts & washers 63-65 327 w/SpHiPerf, 66-82 All SB | 5.50 set |

Big Block Power Steering Brackets



| | | | |
|-------------|--------------|--|----------------------|
| 7530 | 65-69 | 396/427 P.S. and Alternator Bracket Kit (9813, 7686, 7687, 7688, 1591 and 7538) | 179.00 set ND |
| 7531 | 70-74 | 454 P.S. and Alternator Bracket Kit (9813, 7686, 7687, 7688, 7882 & 7538) | 179.00 set ND |
| 9813 | 65-74 | P.S. Pump Mounting Bracket to Block | 47.00 ea |
| 7686 | 65-74 | Alternator Mtg. Bracket BB w/P.S. | 52.00 ea |
| 7687 | 65-74 | Alternator Adjusting and P.S. Pump Mtg. Bracket - BB | 64.00 ea |
| 7688 | 65-74 | Alt. Mount Brace - Lower | 14.00 ea |
| 1591 | 65-69 | Alt. Mount Brace - Upper | 14.00 ea |
| 7882 | 70-74 | Alt Adjusting Brace - Upper | 11.50 ea |
| 7538 | 65-74 | 396/427/454 P.S. and Alternator Bracket Bolt Kit (23 pcs) bolts and stud for alt bracket to head & PS brkt to block | 17.00 set |
| 7689 | 65-74 | Stud - for P.S. & Alt. Adjusting Bracket to Exhaust Mainfold | 4.50 ea |



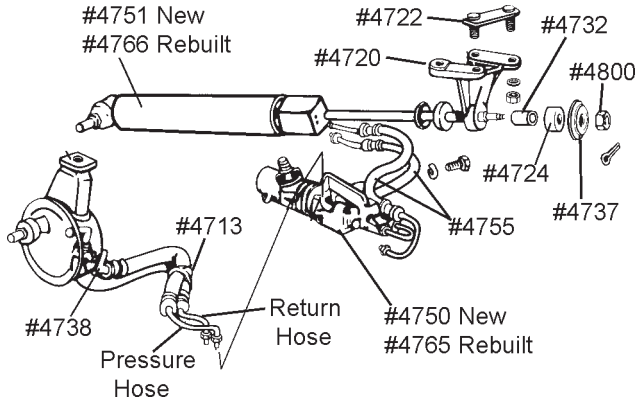
63-82 Power Steering Conversion Kits

Kit Contains: Four (4) New Hoses, Pitman Arm, Center Link, Pump Brackets, Slave Cylinder Support, Pump & Cap, Slave Cylinder, Control Valve, Correct Pump Pulley, Mounting Hardware and Instructions. Big Block Kit contains 3 Alternator Brackets. Kits Do Not Contain Engine Pulleys or Belts.
"Will not work with 6 Quart Oil Pan"

| | | | |
|-------|-------|-------------------------------------|---------------|
| 9800 | 63-74 | Small Block Kit - Base Engine | 799.00 kit ND |
| 10324 | 63-74 | Small Block Kit - HiPerf | 799.00 kit ND |
| 10325 | 75-79 | Small Block Kit | 899.00 kit ND |
| 9801 | 65-69 | Big Block Kit | 969.00 kit ND |
| 10326 | 70-74 | Big Block Kit | 969.00 kit ND |

See also ENGINE & COOLING Sections for Pulleys.

Power Steering (cont)



Power Steering Renew Kits

Includes remanufactured valve and cylinder plus a new set of hoses. We will charge a core charge \$160.00 for both, which is refunded upon return of your usable cores.

| | | | |
|-------|-------|-----------------------------|---------------|
| 10320 | 68-79 | 327/350 Renew Kit | 199.00 kit ND |
| 10321 | 80-82 | 350 Renew Kit | 199.00 kit ND |
| 10322 | 68-74 | 427/454 Renew Kit | 199.00 kit ND |
| 10323 | All | Renew Kit Core Charge | 160.00 pr ND |

| | | | |
|-------------|--------------|--|-----------------|
| 4751 | 63-82 | Power Steering Cylinder Assy. - NEW ... | 149.00 ea |
| 4750 | 63-82 | Power Steering Control Valve - NEW | 179.00 ea |
| 4766 | 63-82 | Power Steering Cylinder Assy - Rebuilt (Add \$60.00 Refundable Core Charge) ... | 84.95 ea |
| 4765 | 63-82 | Power Steering Control Valve - Rebuilt (Add \$100.00 Refundable Core Charge) . | 89.95 ea |
| 4827 | 63-82 | P.S. Control Valve Centering Nut Cap "C" . | 7.00 ea |
| 10233 | 63-82 | P.S. Control Valve Centering Cap-Repl | 3.00 ea |
| 4752 | 63-82 | Power Steering Control Valve Rebuild Kit . | 22.95 kit |
| 4753 | 63-82 | Power Steering Cylinder Shaft Seal Kit | 16.95 kit |
| 4714 | 63-79 | 327/350 Power Steering Hose Set (4 Hoses) - Correct | 59.95 set |
| 4716 | 65-74 | 427, 454 Power Steering Hose Set (4 Hoses) - Correct | 64.95 set |
| 4718 | 80-82 | 350 Power Steering Hose Set (4 Hoses) Correct | 64.95 set |
| 4755 | 63-82 | Hose Set - Valve to Cylinder w/Correct Small & Large Radius Tubes | 35.00 pr |
| 4756 | 63-79 | 327-350 P.S. Pressure Hose | 18.50 ea |
| 4719 | 80-82 | 350 P.S. Pressure Hose | 22.00 ea |
| 4757 | 66-74 | 427, 454 P.S. Pressure Hose | 22.00 ea |
| 4758 | 63-82 | P.S. Return Hose w/Tube & Nut Attached | 18.00 ea |
| 4713 | 63-67 | Power Steering Pump Hose "C" Clip | 5.50 ea |
| 4738 | 63-82 | P.S. Return Hose Clamp | 4.00 ea |
| 4720 | 63-82 | P.S. Cylinder Frame Bracket | 35.00 ea |
| 4722 | 63-82 | P.S. Cylinder Frame Bracket Bolt Plate (2) Nuts (4) & Washers(4) | 9.00 set |
| 4724 | 63-82 | P.S. Cyl. Rubber Grommets (2 pcs) | 3.00 pr |
| 4732 | 63-82 | P.S. Cylinder Grommet Sleeve | 2.00 ea |
| 4737 | 63-82 | P.S. Cylinder Shaft Washers (2 pcs) | 3.00 pr |
| 4800 | 63-82 | P.S. Cylinder Shaft End Nut | 2.50 ea |
| 7708 | 63-82 | Steering Knuckle Hole Plug (set of 2) plugs rear hole of steering knuckle on cars with Power Steering | 11.00 pr |

63-82 STEERING GEAR BOX - Rebuilt

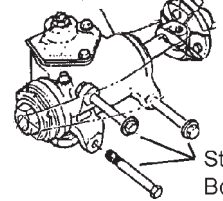
#7254 (\$125.00 CORE CHARGE)

#7255 and #7256 (\$80.00 CORE CHARGE)

Your core must match the gear box you order to receive a refund.

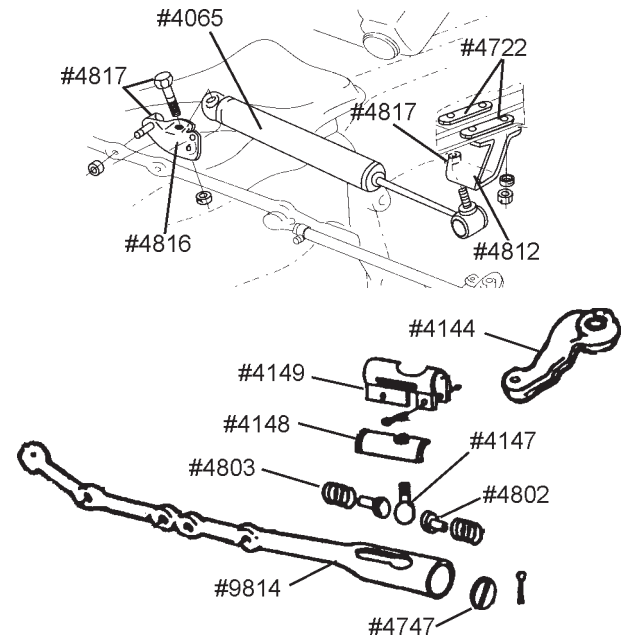
| | | | |
|-------|-------|--|------------------|
| 7254 | 63-69 | Rebuilt Steering Gear Box - w/round shaft and cast iron cap with "check lube" | 169.00 ea ND |
| 7255 | 68-69 | Rebuilt Steering Gear Box - w/round shaft and aluminum cap | 169.00 ea ND |
| 7256 | 70-82 | Rebuilt Steering Gear Box - with a flat on shaft and aluminum cap | 169.00 ea ND |
| 7707 | 63-82 | Steering Box to Frame Bolts, Nuts and Washers (9 pcs) | 13.00 set |
| 10327 | 63-82 | Steering Box Greasing Tool | 9.95 ea |

Steering Box



COUPLERS, FLANGES ETC
See Steering Column Section
for your year of car

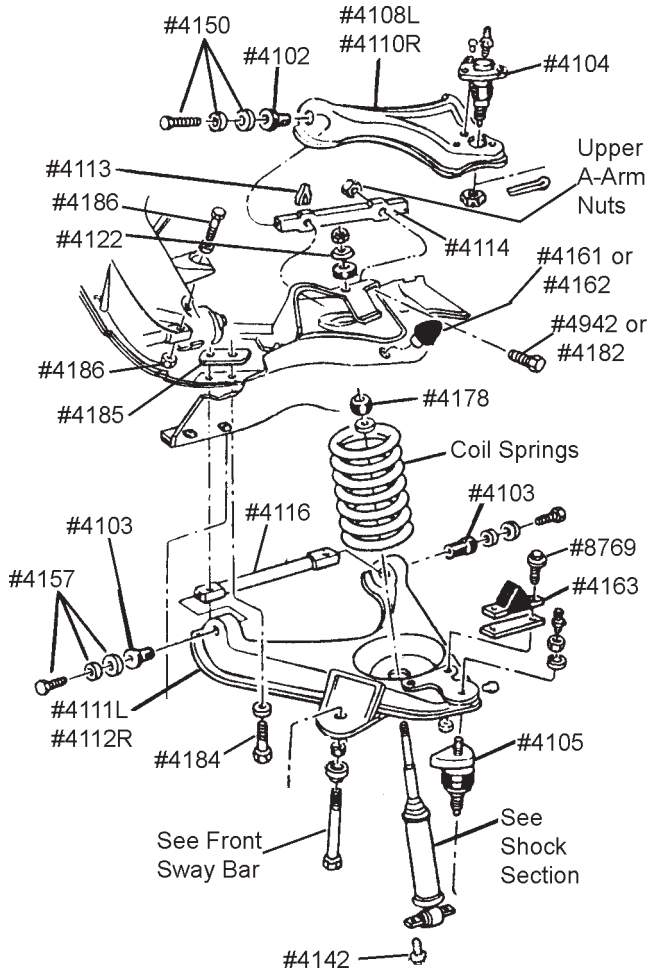
63-82 STEERING LINKAGE



63-82 MANUAL STEERING

| | | | |
|------|-------|--|-----------|
| 9814 | 63-76 | Steering Relay Rod exc P.S. - used Specify Year | 175.00 ea |
| 4144 | 63-76 | Pitman Arm - (Steering Box) exc P.S. | 54.95 ea |
| 4065 | 63-68 | Steering Shock/Damper | 99.00 ea |
| 4722 | 63-68 | Steering Damper Bolt Plates (2), Nuts (4) and Washers (4) | 9.00 set |
| 4812 | 63-68 | Steering Damper Bracket on Frame | 27.00 ea |
| 4816 | 63-68 | Steering Damper Bracket on Relay Rod ... | 27.00 ea |
| 4817 | 63-68 | Steering Damper Bolt & Nut Set | 5.00 set |
| 4147 | 63-76 | Steering Relay Rod Ball Stud - exc. P.S. .. | 29.00 ea |
| 4148 | 63-76 | Steering Relay Rod Ball Stud Seal - exc. P.S. | 15.00 ea |
| 4149 | 63-76 | Steering Relay Rod Ball Stud Clamp - exc. P.S. | 13.00 ea |
| 4802 | 63-76 | Steering Relay Rod Seat | 20.00 pr |
| 4803 | 63-76 | Steering Relay Rod Seat Springs. | 11.00 pr |
| 4747 | 63-76 | Steering Relay Rod End Cap | 8.00 ea |

63-82 Front Suspension 123



A-Arms & Related

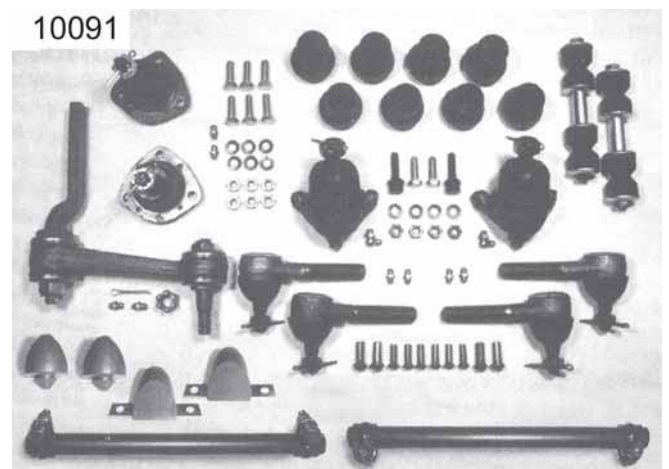
| | | | |
|--------------|--------------|---|------------------|
| 4108 | 63-82 | Upper A-Arm w/Ball Joint - Lt NEW | 209.00 ea |
| 4110 | 63-82 | Upper A-Arm w/Ball Joint - Rt NEW | 209.00 ea |
| 4114 | 63-82 | Upper A-Arm "OFFSET" Shaft Kit with Bushings (used for increased camber adjustment) | 39.00 ea |
| 4102 | 63-82 | Upper A-Arm Shaft Bushings (4 pcs) | 16.00 set |
| 10180 | 63-82 | Upper & Lower A-Arm Shaft Bushings - now with OEM style upper bushings with 3/16" rubber exposed | 48.00 set |
| 4104 | 63-82 | Upper Ball Joint | 24.00 ea |
| 4101 | 63-82 | Upper Ball Joint Rivets (6 pcs) | 2.50 set |
| 10328 | 63-82 | Upper Ball Joint Rivets (threaded type rivet) car set | 15.00 set |
| 4150 | 63-82 | Upper Shaft Bushing End Bolt & Washer Kit (does both sides) | 9.50 set |
| 4942 | 63-67 | Upper A-Arm Bolts, 7/16 - 20 Thd | 13.00 set |
| 4146 | 63-65 | Upper A-Arm Alignment Nuts & Lockwashers (4 pr), 7/16 - 20 Thd | 3.50 set |
| 4943 | 66-67 | Upper A-Arm Alignment Nuts (4 pcs) 7/16 - 20 Thd | 3.00 set |
| 4182 | 68-82 | Upper A-Arm Bolt, 7/16 - 14 Thd | 3.00 ea |
| 4183 | 68-82 | Upper A-Arm Alignment Nuts (4 pcs) 7/16 - 14 Thd | 3.00 set |
| 4161 | 63-75 | Upper A-Arm Bumper | 4.00 ea |
| 4162 | 76-82 | Upper A-Arm Bumper | 4.00 ea |
| 4113 | 63-82 | A-Arm Shim Kit (both sides) - 28 pcs | 15.50 kit |
| 4111 | 63-82 | Lower A-Arm w/Ball Joint - Lt | 279.00 ea |
| 4112 | 63-82 | Lower A-Arm w/Ball Joint - Rt | 279.00 ea |
| 4116 | 63-82 | Lower A-Arm Shaft Kit w/Bushings - | 59.00 ea |
| 4103 | 63-82 | Lower A-Arm Shaft Bushings (4 pcs) | 16.00 set |
| 4105 | 63-82 | Lower Ball Joint | 24.00 ea |
| 4106 | 63-82 | Lower Ball Joint Rivets (4 pcs) | 3.00 set |
| 10329 | 63-82 | Lower Ball Joint Rivets (threaded type rivet) car set | 15.00 set |
| 4157 | 63-82 | Lwr Shaft Bushing End Bolt & Washer Kit Both sides | 11.00 set |
| 4184 | 63-82 | Lower A-Arm Front Bolt & Lockwashers 4 of each | 4.50 set |
| 4185 | 63-82 | Lower A-Arm Front Plate Nut | 11.00 ea |
| 4186 | 63-82 | Lower A-Arm Rear Bolt, Special Washer and Nut (2 of each) | 11.00 set |
| 4188 | 63-82 | Lower A-Arm Rear Nut | 2.00 ea |
| 4163 | 63-82 | Lower A-Arm Bumper | 6.50 ea |
| 8769 | 63-82 | Lwr A-Arm Bumper Screws & Nuts -Correct | 5.50 set |
| 4142 | 63-82 | Front Lower Shock Bolt (4) | 3.50 set |
| 4122 | 63-82 | Front Upper Shock Washer | 2.00 pr |
| 4178 | 63-82 | Front Upper Shock Grommets (2 pair req) | 3.50 pr |
| 4158 | 63-82 | Gray Shock Absorber Paint - Aerosol | 6.50 ea |

FRONT SUSPENSION REBUILD KITS

All Parts Made in America

| | | | |
|-------|-------|--|----------------------|
| 4270 | 63-82 | Basic Front End Rebuild Kit (4 Ball Joints, 2 Tie Rod Ends, 8 A-Arm Shaft Bushings, 2 Stabilizer Link Kits) .. | 109.00 kit |
| 10088 | 63-82 | Deluxe Front End Rebuild Kit (4 Ball Joints, 4 Tie Rod Ends, 8 A-Arm Shaft Bushings, 2 Sway Bar Link Kits, and 1 Idler Arm) | 165.00 kit LD |
| 10091 | 63-82 | Super Deluxe Front End Rebuild Kit (Includes #10088 Kit plus 2 Tie Rod Sleeves w/Clamps, 2 Upper Control Arm Bumpers, 2 Lower Control Arm Bumpers and Ball Joint Rivets) | 199.00 kit LD |
| 4153 | 63-82 | Tie Rod End L.H. Thread | 18.00 ea |
| 4154 | 63-82 | Tie Rod End R.H. Thread | 18.00 ea |
| 7719 | 63-82 | Tie Rod Sleeve w/Clamps & Bolts | 27.00 ea |
| 4155 | 63-82 | Tie Rod Sleeve | 21.50 ea |
| 4143 | 63-82 | Tie Rod Sleeve Clamp w/Bolt | 6.00 ea |
| 7709 | 63-82 | Tie Rod End Boot | 3.50 ea |
| 4370 | 63-82 | Idler Arm - Correct Shape w/Grease Fittings | 49.00 ea |
| 10538 | 63-82 | Idler Arm Mounting Bolt & Nut Set (4 pcs) .. | 5.50 set |

For SHOCK Listings See Page 125



724-863-0410 Customer Service -- 1-800-327-0185 ORDER Line

124 63-82 Front Suspension



Front Coil Springs - made to factory specifications

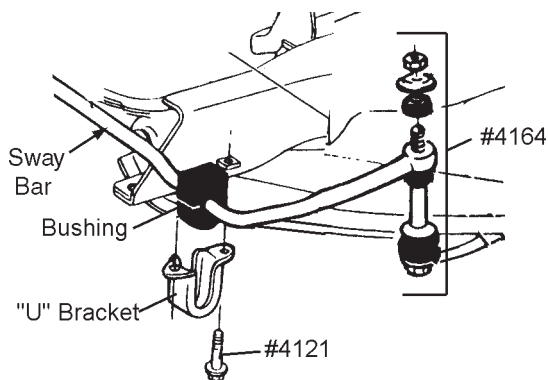
Our Springs are made to factory specs not the one size fits all type other companies sell.

| | | | |
|------|-------|--|-----------|
| 4120 | 63 | 327 Front Spring Std Suspension | 150.00 pr |
| 4115 | 64-67 | 327 Front Spring Std Suspension Natural Finish (63 replacement) | 95.00 pr |
| 4202 | 64-67 | 327 Front Spring Std Suspension Black Powder Coated | 95.00 pr |
| 4125 | 65-67 | 396/427 Front Spring (No Air) | 129.00 pr |
| 4117 | 66-67 | 427 Front Spring (with Air) | 129.00 pr |
| 4118 | 68-74 | Small Block Front Springs - GM #331316 4sp with or without air Auto no air | 129.00 pr |
| 4119 | 68-74 | Big Block Front Springs - GM #331318 4sp with or without air Auto no air | 149.00 pr |

Aluminum Coil Spring Spacers

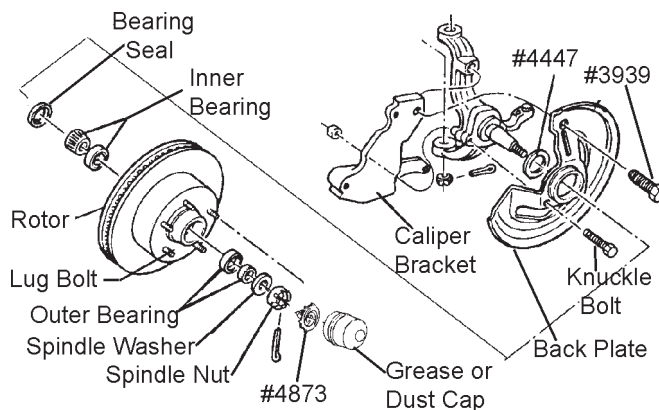
These spacers fit under the bottom of the coil springs to give your front end more height without affecting the ride. These can be used on any 63-82 Corvette.

| | | | |
|------|-----|---|----------|
| 7952 | Any | 3/8" Alum Spacer (gives approx 3/4" lift) | 18.50 pr |
| 7953 | Any | 1/2" Alum Spacer (gives approx 1" lift) | 18.50 pr |
| 7954 | Any | 5/8" Alum Spacer (gives approx 1 1/4" lift) | 18.50 pr |
| 7955 | Any | 3/4" Alum Spacer (gives approx 1 1/2" lift) | 21.00 pr |
| 7956 | Any | 1" Alum Spacer (gives approx 2" lift) | 23.50 pr |



Front Sway Bar

| | | | |
|------|-------|---|-----------|
| 4164 | 63-82 | Front Sway Bar End Links w/Bushings (both sides) | 10.00 kit |
| 4944 | 63-69 | Front Stabilizer Link Kit w/WB2C Head | 14.95 kit |
| 4945 | 70-82 | Front Stabilizer Link Kit w/WB Head | 14.95 kit |
| 4137 | 63-67 | Front Sway Bar "U" Bracket | 8.50 ea |
| 4138 | 68-82 | Front Sway Bar "U" Bracket | 7.95 ea |
| 4121 | 63-82 | Frt Sway Bar Brkt Bolts, Lockwashers & Nuts Correct (4 of each) | 5.50 set |
| 4165 | 63-67 | Front Sway Bar Bushing - Std. Susp | 5.50 ea |
| 4166 | 63-67 | Front Sway Bar Bushing - H. D. Susp | 6.00 ea |
| 4167 | 68-79 | Front Sway Bar Bushing - (68-79 Std and 68-74 H.D.) | 7.50 ea |
| 4169 | 75-82 | Front Sway Bar Bushing - w/H D Susp | 8.75 ea |

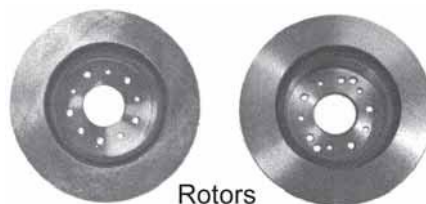


Front Spindles, Rotors, Bearing & Backplates

| | | | |
|-------|-------|--|-----------|
| 4123 | 65-82 | Front Rotor Less Hub | 59.00 ea |
| 4873 | 63-82 | Front Wheel Static Collector in Dust Cap | 17.00 ea |
| 4109 | 63-68 | Front Grease Cup w/Dimple | 13.00 ea |
| 4127 | 69-82 | Front Grease Cup | 6.50 ea |
| 10292 | 63-64 | Front Wheel Lug Stud Bolt | 1.50 ea |
| 4179 | 65-82 | Front Wheel Lug Stud Bolt | 1.50 ea |
| 4129 | 63-68 | Front Wheel Bearing Kit (1 Inner Bearing, 1 Outer Bearing and 1 Inner Seal) "TIMKEN" | 27.95 set |
| 4131 | 69-82 | Front Wheel Bearing Kit (1 Inner Bearing, 1 Outer Bearing and 1 Inner Seal) "TIMKEN" | 27.95 set |
| 3702 | 63-68 | Front Inner Wheel Bearing | 15.00 ea |
| 3704 | 69-82 | Front Inner Wheel Bearing | 13.50 ea |
| 3703 | 63-68 | Front Outer Wheel Bearing | 13.50 ea |
| 3705 | 69-82 | Front Outer Wheel Bearing | 13.50 ea |
| 3711 | 63-68 | Front Wheel Bearing Seal | 7.95 ea |
| 3712 | 69-82 | Front Wheel Bearing Seal | 7.95 ea |
| 4132 | 63-68 | Front Spindle Washer | 2.00 ea |
| 4180 | 69-82 | Front Spindle Washer | 5.00 ea |
| 4133 | 63-68 | Front Spindle Nut | 3.00 ea |
| 4181 | 69-82 | Front Spindle Nut | 5.75 ea |

Front Backplates are correct color for 65-68 but are a replacement style

| | | | |
|-------|-------|---|-------------|
| 6334 | 65-75 | Front Brake Back Plate - Lt ZINC | 29.00 ea |
| 6335 | 65-75 | Front Brake Back Plate - Rt ZINC | 29.00 ea |
| 6336 | 76-82 | Front Brake Back Plate - Lt YELLOW Di-Chromate | 29.00 ea |
| 6337 | 76-82 | Front Brake Back Plate - Rt YELLOW Di-Chromate | 29.00 ea |
| 3939 | 65-82 | Front Dust Shield Upper Bolt | 17.00 pr |
| 4189 | 63-64 | Knuckle Bolt & Nut Set (4 of each) - Repl | 7.00 set |
| 4134 | 65-67 | Knuckle Bolt & Nut Set (4 of each) - Repl | 7.00 set |
| 4187 | 68-82 | Knuckle Bolt & Nut Set (4 of each) - Repl | 7.00 set |
| 10034 | 63-68 | Front Brake Back Plate Gasket | 4.50 pr |
| 4447 | 69-82 | Front Brake Back Plate Gasket | 2.50 ea |
| 4139 | 65-82 | Front Caliper Mtg Bracket, Lt USED | 45.00 ea ND |
| 4141 | 65-82 | Front Caliper Mtg Bracket, Rt USED | 45.00 ea ND |
| 4524 | 65-82 | Front & Rear Caliper Mounting Bolts and Lockwashers (8 of each) | 9.00 set |



Rotors

SHOCKS



Delco Gas Cushioned Duty Shocks

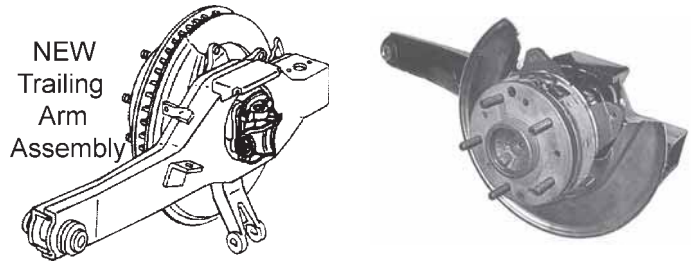
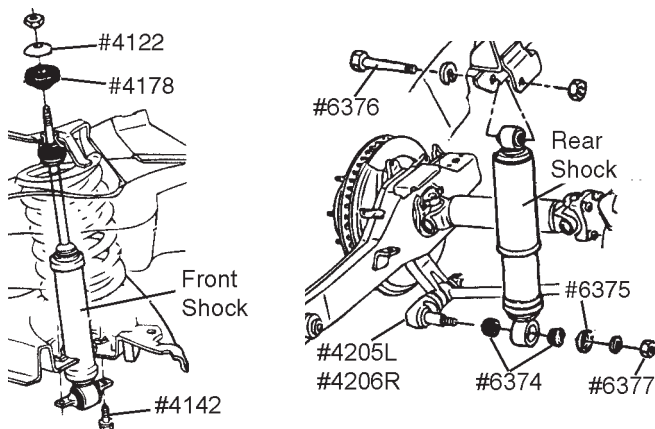
A premium quality shock that provides excellent ride control. Gas Cushioned shocks will deliver optimum ride comfort with a wider range of control than standard non-gas shock absorbers.

Cannot be shipped overseas or by air.

| | | | |
|-------|-------|---|---------------|
| 10081 | 63-82 | Delco Gas-Cushioned Shock - Front | 34.95 ea |
| 10082 | 63-82 | Delco Gas-Cushioned Shock - Rear | 34.95 ea |
| 10083 | 63-82 | Delco Gas-Cushioned - Set of 4 | 129.95 set LD |

Shock Related

| | | | |
|-------|-------|--|----------|
| 4142 | 63-82 | Front Lower Shock Bolt (4) | 3.50 set |
| 4122 | 63-82 | Front Upper Shock Washer | 2.00 pr |
| 4178 | 63-82 | Front Upper Shock Grommets (2 pair required) | 3.50 pr |
| 6376 | 63-82 | Rear Shock Upper Mount Bolts w/Nuts and Washers (6 pcs) | 8.00 pr |
| 6377 | 63-82 | Rear Shock Lower Mount Nut | 1.75 ea |
| 6375w | 63-82 | Rear Lower Cupped Shock Washer | 1.50 ea |
| 6374 | 63-82 | Rear Lower Shock Grommet (2 required per shock) | 1.50 ea |
| 4205 | 63-82 | Rear Lwr Shock Mount Bracket w/Nut - Lt. | 44.95 ea |
| 4206 | 63-82 | Rear Lwr Shock Mount Bracket w/Nut - Rt. | 44.95 ea |
| 4266 | 63-82 | Rear Lwr Shock Shaft Mtg Castle Nut | 1.75 ea |
| 4158 | 63-72 | Shock Absorber Gray Spray Paint | 6.50 can |

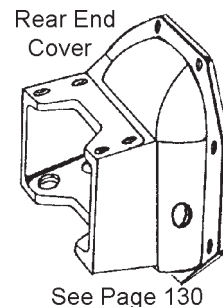


NEW! TRAILING ARM ASSEMBLIES with Matched Rotor & Wheel Bearing Assembly

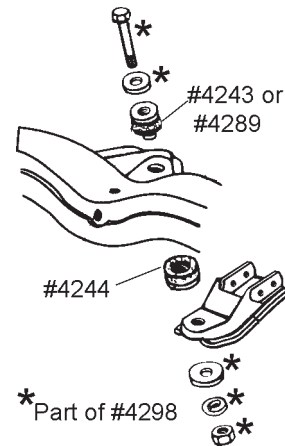
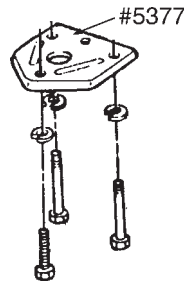
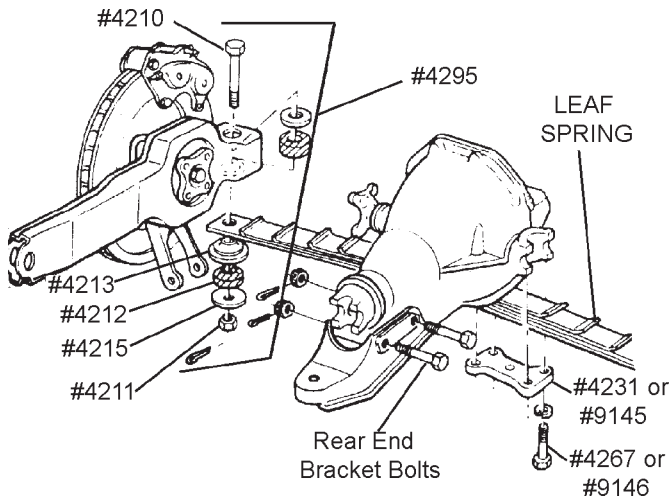
- All new factory parts
- Selectively aligned rotor
- Bolt-On Installation
- Axle flange torqued to specs

New Trailing Arm Assemblies - save time and money by installing a new trailing arm assembly with wheel bearing assembly, rotor, stainless steel parking brake kit - ready to bolt-on.

| | | | |
|--------|-------|---|--------------|
| 10270L | 65-79 | Trailing Arm Assembly - Lt..... | 799.00 ea ND |
| 10270R | 65-79 | Trailing Arm Assembly - Rt | 799.00 ea ND |
| 10271L | 80-82 | Trailing Arm Assembly - Lt...(Auto) | 899.00 ea ND |
| 10271R | 80-82 | Trailing Arm Assembly - Rt...(Auto) | 899.00 ea ND |
| 10540L | 80-81 | Trailing Arm Assembly - Lt...(4 sp) | 899.00 ea ND |
| 10540R | 80-81 | Trailing Arm Assembly - Rt...(4 sp) | 899.00 ea ND |



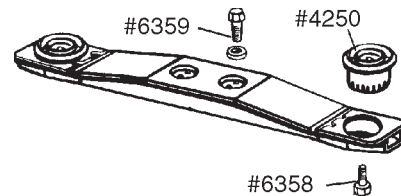
126 63-82 Rear Suspension



Rear Spring, Crossmember & Related

| | | | |
|------|-------|---|------------------|
| 4903 | 63-77 | Leaf Spring Std 9 Leaf 2 1/4" Wide | 125.00 ea |
| 4904 | 63-77 | Leaf Spring HD 7 Leaf 2 1/4" Wide | 125.00 ea |
| 4905 | 78-82 | Leaf Spring Std 2 1/2" Wide | 135.00 ea |
| 5375 | 80-82 | TRW Composite Rear Leaf Spring (340 lb Rate) with hardware | 339.00 ea ND |
| 5376 | 80-82 | TRW Composite Rear Leaf Spring (355 lb Rate) with hardware | 339.00 ea ND |
| 4295 | 63-82 | Rear Leaf Spring Mounting Kit - End Bolt (2), Nut (2), Cushion (4), Retainer (2), and Washer(4) Kit - (both sides) | 34.95 set |
| 4818 | 63-82 | Rear Leaf Spring Mtg Kit like #4295, but Bolt is 2" longer than original | 39.00 set |
| 4210 | 63-82 | Spring End Bolt - Original 6 1/2" (2 req).. | 8.50 ea |
| 4235 | 63-82 | Spring End Bolt w/self locking nut - EXTRA Long 8 inch bolt | 17.00 pr |
| 4211 | 63-82 | Spring End Bolt Nut (2 req.) | 1.50 ea |
| 4212 | 63-82 | Spring End Cushion (4 req.) | 2.00 ea |
| 4213 | 63-82 | Spring End Cupped Retainer (4 req.) | 2.50 ea |
| 4215 | 63-82 | Spring End Washer (4 req.) | 2.50 ea |
| 8568 | 63-82 | Rear Spring Center Bolt w/Nut | 4.00 ea |
| 4231 | 63-77 | Rear Spring Mount Plate | 16.00 ea |
| 9145 | 78-79 | Rear Spring Mount Plate | 15.00 ea |
| 4267 | 63-77 | Bolt Set - for Mounting Rear Spring to Rear End Housing 9/16 - 12 X 3 1/2" Lg Set of 4 w/Lockwashers | 10.00 set |
| 9146 | 78-79 | Bolt Set - for Mounting Rear Spring to Rear End Housing 7/16" X 3 1/4" Lg. | 11.00 set |
| 5377 | 80-82 | Rear Spring Mount Plate | 20.00 ea |
| 4291 | 80-82 | Rear Spring Mount Plate Bolt and Washer Set (6 pcs) | 11.00 set |
| 4292 | 80-82 | Rear Spring Mount Plate Bolt and Washer Set Kit (6 pcs) - longer than stock for use with replacement rear leaf spring | 11.00 set |
| 4290 | 63-80 | Rear Leaf Spring Liner Set - (63-77 All, and 78-80 with FE7 H.D.) 7pcs does a 7 or 9 leaf spring | 42.00 set |
| 8409 | 77-79 | Rear Spring Spacer w/FE7 Gymkhana.. | 10.50 set |
| 6383 | 63-82 | Rear Spring Gray Paint - Aerosol | 7.50 ea |

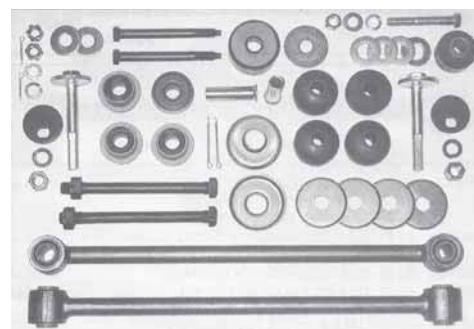
| | | | |
|-------|-------|---|------------------|
| 10412 | 63-82 | Rear End Front Mount Cushion and Bolt Set (#4243, 4244 and 4298) | 19.95 set |
| 4243 | 63-82 | Rear End Front Upper Cushion (80-82 repl).. | 8.50 ea |
| 4244 | 63-82 | Rear End Front Lower Cushion | 9.50 ea |
| 4298 | 63-82 | Rear End Front Cushion Mount Bolt, Nut and Washers (Thru Cushions) | 3.00 ea |
| 10413 | 63-79 | Rear End Crossmember Bushings PAIR | 129.95 pr |
| 4250 | 63-79 | Rear End Crossmember Bushing.. | 69.95 ea |
| 6358 | 63-79 | Rear Xmember Cushion to Frame Bolt Kit | 2.25 pr |
| 6359 | 63-79 | Rear Xmember to Diff Carrier Bolt Kit | 4.50 set |
| 4927 | 63-64 | Rear End Mount Bracket Bolt Kit | 7.00 set |
| 4920 | 65-68 | Rear End Mount Bracket Bolts, Nuts, Washers and cotter pin (68 4sp) | 12.00 set |
| 4249 | 68-79 | Rear End Mount Bracket "TR"Bolts - thru type only w/nut & pin (68 Auto) | 17.00 set |



Rear Suspension Bushing Kits

Kits include Rear Spring Mounting Kit, Upper & Lower Rear End Mount Cushions, Differential Bolt Set, Trailing Arm Bolt Set, 2 Cam Assemblies, 2 Trailing Arm Retainers, 2 Strut Rods w/Bushings, 4 Trailing Arm Bushings, 4 Trailing Arm Bushing Sleeves.

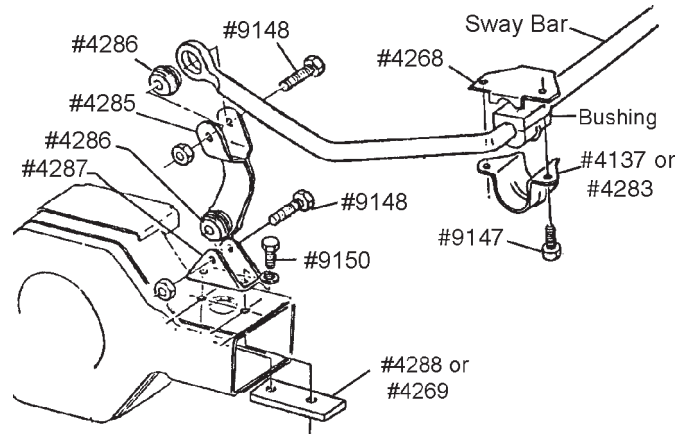
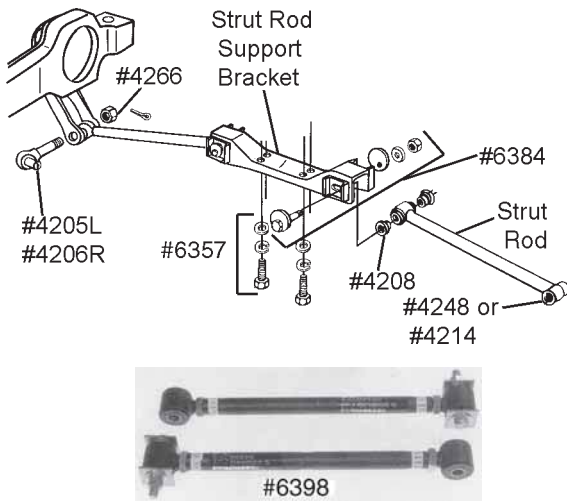
| | | | |
|-------|-------|---|---------------|
| 10535 | 63-74 | Bushing Kit - includes correct strut rods . | 169.00 kit LD |
| 10536 | 63-79 | Bushing Kit - includes heavy duty strut rods | 169.00 kit LD |
| 10537 | 80-82 | Bushing Kit | 169.00 kit LD |



REAR END and REAR AXLE See Page 130

724-863-0410 Customer Service -- 1-800-327-0185 ORDER Line

63-82 Rear Suspension 127



Strut Rod & Shock Mount

| | | | |
|-------|-------|--|--------------|
| 4224 | 63-74 | Strut Rod w/Bushings (with correct 1 1/4" O.D. bushings)..... | 47.00 ea |
| 4207 | 75-79 | Strut Rod w/Bushings (with correct 1 3/8" O.D. bushings)..... | 47.00 ea |
| 6381 | 80-82 | Strut Rod w/Bushings..... | 47.00 ea |
| 4248 | 63-74 | Strut Rod Bushing 1 1/4" O.D. (4 req.)..... | 13.50 ea |
| 4214 | 75-82 | Strut Rod Bushing 1 3/8" O.D. (4 req.)..... | 13.50 ea |
| 4208 | 63-82 | Strut Rod Bushing Cap (4 req.)..... | 2.00 ea |
| 4913 | 63-67 | Strut Rod Support Bracket Under Rear End.....USED..... | 100.00 ea ND |
| 4209 | 68-79 | Strut Rod Support Bracket Under Rear End (Specify Year)...USED..... | 45.00 ea ND |
| 6357 | 63-79 | Strut Rod Support Bracket Bolt Kit..... | 5.50 kit |
| 4921 | 80-82 | Strut Rod Support Bracket Under Rear End.....USED..... | 75.00 ea ND |
| 6384 | 63-82 | Camber Rod Adjusting Bolt Kit..... | 11.00 ea |
| 10450 | 63 | Camber Rod Adjusting Bolt Kit - Correct .. | 29.00 ea |
| 10451 | 64-67 | Camber Rod Adjusting Bolt Kit - Correct .. | 25.00 ea |
| 6376 | 63-82 | Rear Shock Upper Mount Bolts w/Nuts and Washers (6 pcs)..... | 8.00 set |
| 6377 | 63-82 | Rear Shock Lower Mount Nut..... | 1.75 ea |
| 6375 | 63-82 | Rear Lower Cupped Shock Washer..... | 1.50 ea |
| 6374 | 63-82 | Rear Lower Shock Grommet (2 per shock) .. | 1.50 ea |
| 4205 | 63-82 | Rear Lwr Shock Mount Bracket w/Nut - Lt | 44.95 ea |
| 4206 | 63-82 | Rear Lwr Shock Mount Bracket w/Nut - Rt | 44.95 ea |
| 4266 | 63-82 | Rear Lwr Shock Brkt Castle Nut..... | 1.75 ea |
| 6368 | 63-82 | Shock Bolt Remover (Knocker) Tool..... | 17.95 ea |
| 4158 | 63-72 | Shock Absorber Gray Spray Paint..... | 6.50 can |
| 6398 | 63-79 | ADJUSTABLE Strut Rods - adjustable threaded rod ends, poly bushings, all mounting hardware - eliminates the use of original camber bolts..... | 119.00 pr |

Rear Sway Bar

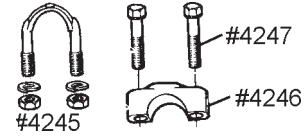
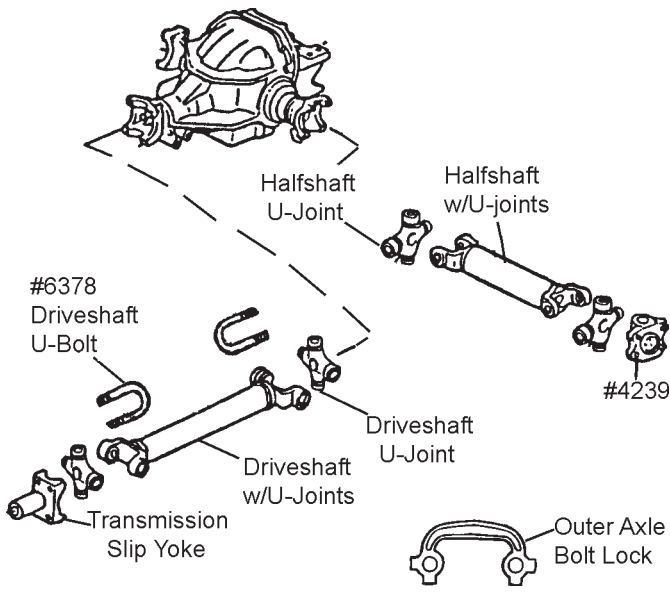
| | | | |
|------|-------|--|------------------|
| 9106 | 65-82 | Rear Sway Bar Link Kit (includes 4288 (2) 9148, 4287 (2), 4286 (4), 4285 (2), 9150 does both sides..... | 59.95 set |
| 4280 | 65-67 | Rear Sway Bar to Frame Bushing..... | 7.00 ea |
| 4282 | 68-74 | Rear Sway Bar to Frame Bushing..... | 7.00 ea |
| 4284 | 75-82 | Rear Sway Bar to Frame Bushing..... | 7.00 ea |
| 4137 | 65-67 | Rear Sway Bar to Frame Bushing Brkt..... | 8.50 ea |
| 4283 | 68-82 | Rear Sway Bar to Frame Bracket..... | 6.50 ea |
| 9147 | 65-82 | Rear Sway Bar to Frame Brkt Bolts Correct..... | 5.00 set |
| 4268 | 65-67 | Rear Sway Bar to Frame Bushing Shim Plate (2 req.)..... | 5.50 ea |
| 4285 | 65-82 | Rear Sway Bar Link (2 req)..... | 9.50 ea |
| 9148 | 65-82 | Rear Sway Bar Link Bolts & Nuts (4 of each)..... | 5.00 set |
| 4286 | 65-82 | Rear Sway Bar Link Bushings (4 req.)..... | 4.50 ea |
| 4287 | 65-82 | Rear Sway Bar to Control Arm Bracket (2 req)..... | 7.00 ea |
| 9150 | 65-82 | Rear Sway Bar to Control Arm Bracket Bolts & Washers (4 of each)..... | 3.50 set |
| 4288 | 65-82 | Rear Sway Bar to Control Arm Nut Plate (2 req.)..... | 4.50 ea |
| 4269 | 65-82 | Rear Sway Bar to Control Arm Nut Plate Stainless Steel..... | 16.00 pr |
| 4271 | 65-68 | 9/16" Rear Sway Bar - Exact Repr..... | 240.00 ea |

Rear Suspension Mounting Kits

63-79 Rear Suspension Mounting Kits include: Rear Spring Mounting Kit, Rear Spring Mount Bolts, Upper and Lower Rear End Mount Cushions, Differential Carrier Bolt Set, Trailing Arm Bolt Set, Shock Bracket/Strut Arm Nuts and Clips, Differential Front Bolt Set, Differential Front Bracket Bolt Set, French Locks, French Lock Bolt Set, Spring Anchor Bolt Set, 2 Camber Bolt Assemblies, 2 Trailing Arm Cotter Pins.

| | | | |
|------|-------|-----------------------------------|---------------|
| 8413 | 63-64 | Rear Suspension Mounting Kit..... | 129.00 kit LD |
| 8414 | 65-68 | Rear Suspension Mounting Kit..... | 129.00 kit LD |
| 8415 | 69-77 | Rear Suspension Mounting Kit..... | 129.00 kit LD |
| 8416 | 78-79 | Rear Suspension Mounting Kit..... | 129.00 kit LD |
| 8417 | 80-82 | Rear Suspension Mounting Kit..... | 129.00 kit LD |





Driveshaft, Halfshaft , Yoke & Related

| | | | |
|---|-------|---|-----------|
| 9747 | 63-64 | Transmission Rear Slip Yoke (16 Splines) (fits 63 w/T-10, 63-64 w/Pwrglide) | 199.00 ea |
| 9748 | 63-70 | Transmission Rear Slip Yoke (26 Splines) (fits 63 Muncie, 64 3sp & 4sp, 65-67 All and 68-70 3sp & 4sp) | 199.00 ea |
| 9179 | 68-81 | Transmission Rear Slip Yoke (31 Splines) 68-77 Auto w/Turbo 400 71-81 4sp exc 78-79 w/M-20 4sp | Inquire |
| 9180 | 76-79 | Transmission Rear Slip Yoke (26 Splines) 76-79 Auto w/Turbo 350 , 78-79 4sp w/M-20 Reconditioned - USED | Inquire |
| 4237 | 63-79 | Outer Axle Flange Bolt (8 pcs) | 9.00 set |
| 4199 | 63-64 | Outer Axle Bolt Lock (set of 4) | 13.00 set |
| 4254 | 65-82 | Outer Axle Bolt Lock - Steel (4 pcs) | 6.00 set |
| 4297 | 65-82 | Outer Axle Bolt Lock - S.S. (4 pcs) | 10.00 set |
| 3728 | 63-79 | Side Yoke - Std (U-Bolt type) - New | 119.95 ea |
| 3729 | 63-79 | Side Yoke - HD (threaded cap type)- New | 119.95 ea |
| 4246 | 63-79 | Retainer Cap for Halfshaft U-Joint Heavy Duty Inner (4 req) | 21.00 ea |
| 3794 | 63-79 | Side Yoke Snap Ring (2 req) | 1.50 ea |
| 10040_ | 80-81 | 4 spd SideYoke - Reconditioned - Specify Lt or Rt (Core Charge \$60) | 109.00 ea |
| 10041_ | 80-82 | Auto Side Yoke - Reconditioned - Specify Lt or Rt (Core Charge \$60) | 109.00 ea |
| We have the right to decide if a core is rebuildable | | | |
| 4239 | 63-79 | Rear Half Shaft U-Joint Flange | 45.00 ea |
| 9170 | 63-73 | 1/2 Shaft w/U-Joints and Flange 2 1/2" .. | 139.95 ea |
| 9171 | 74-79 | 1/2 Shaft w/U-Joints and Flange 3" | 139.95 ea |
| 9172 | 80-82 | 1/2 Shaft w/U-Joints - Auto 3" | 139.95 ea |
| 9173 | 80-81 | 1/2 Shaft w/U-Joints - Manual 3" | 139.95 ea |
| 9177 | 63-70 | Driveshaft w/U-Joints - 2" (63-67 All, 68-70 4 sp) | 139.95 ea |
| 9178 | 68-79 | Driveshaft w/U-Joints - 2 1/2" (68-79 TH 350/400 and 71-79 4sp) | 149.95 ea |

U-Joints - Driveshaft & Halfshaft

These are available in 3 different styles. **Use the part number + letter next to desired style when ordering.**

Style G : U-Joints with grease fittings **16.00 ea**
Style N : U-Joints w/o grease fittings **16.00 ea**
Style H : Hiperformance U-Joints w/o grease fittings **27.00 ea**

| | | | |
|-------|-------|---|----------|
| 4238_ | 63-82 | Halfshaft U-Joint - Specify Style Fits: 63-79 All 80-81 Manual 82 Auto | |
| 3741_ | 80-82 | Halfshaft U-Joint - Specify Style Fits: 80-81 Auto | |
| 3740_ | 63-82 | Driveshaft U-Joint - Specify Style Fits: 63-67 All 68-70 4sp 80-82 Auto | |
| 3741_ | 68-82 | Driveshaft U-Joint - Specify Style Fits: 68-70 Auto 71-79 All 80-81 Manual | |
| 3750G | 63-79 | "U" Joint - Special (U-Joint Will Adapt Early Drive Shaft to Late Rear End or Vice Versa) w/grease fitting | 25.00 ea |

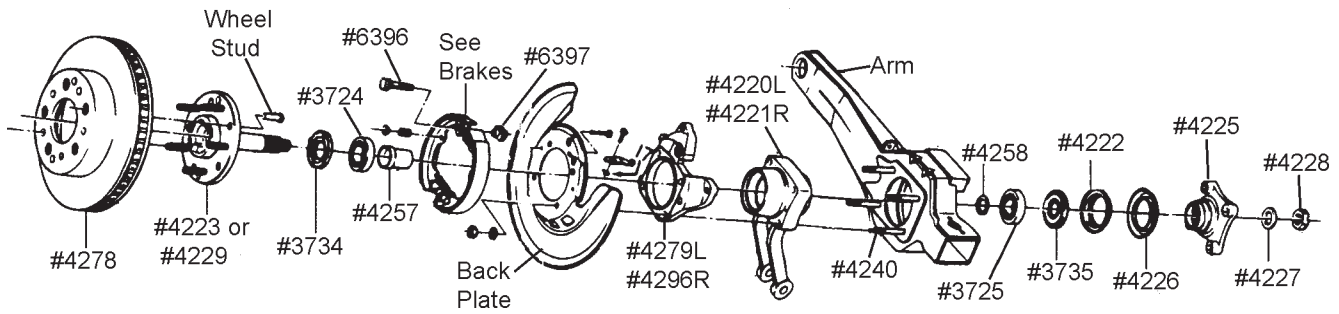
Halfshaft U-Bolts, U-Straps, Caps & Related

| | | | |
|------|-------|--|----------|
| 4245 | 63-79 | U-Bolt for Halfshaft U-Joint Inner w/washers and Nuts (4 req) | 3.50 ea |
| 4246 | 63-79 | Retainer Cap for Halfshaft U-Joint Heavy Duty Inner (4 req) | 21.00 ea |
| 4247 | 63-79 | Retainer Cap Bolt for Halfshaft U-Joint - Heavy Duty..(set of 8) | 8.00 set |
| 6339 | 80-81 | U-Strap for Halfshaft U-Joint - AUTO (8 req) | 3.75 ea |
| 6382 | 80-82 | U-Strap for Halfshaft U-Joint (80-81 4 spd and 82 Auto) | 4.50 ea |
| 6338 | 80-82 | Bolt (5/16") for U-Strap for Halfshaft U-Joint 80-81 4sp and 82 Auto (16 req) | 2.00 ea |
| 6491 | 80-81 | Bolt (1/4") for U-Strap for Halfshaft U-Joint Auto (16 req) | 2.00 ea |

Driveshaft U-Bolts, U-Straps & Related

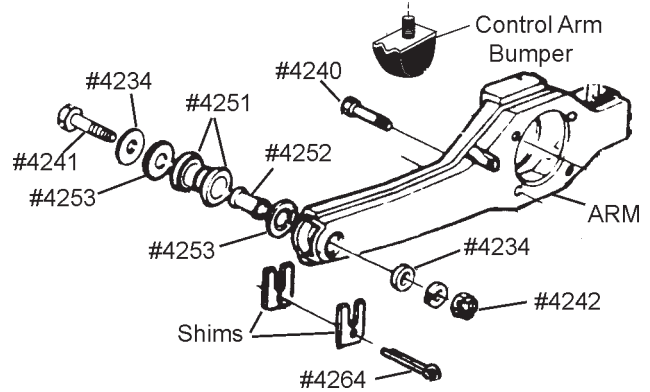
| | | | |
|------|-------|---|---------|
| 6378 | 63-70 | U-Bolt for Driveshaft U-Joint (fits 63-67 all, 68-70 4sp) | 3.75 ea |
| 6379 | 68-79 | U-Strap for Driveshaft U-Joint (fits all except 68-70 4sp) | 2.25 ea |
| 6339 | 80-82 | U-Strap for Driveshaft U-Joint AUTO | 3.75 ea |
| 6379 | 80-81 | U-Strap for Driveshaft U-Joint 4spd | 2.25 ea |
| 6380 | 68-82 | Bolt for U-Strap for Driveshaft U-Joint (All except 68-70 4sp) | 1.75 ea |

63-82 Rear Suspension 129



Rear Spindle/Trailing Arm

| | | | |
|-------|-------|---|-----------|
| 4278 | 65-82 | Rear Brake Rotor | 59.00 ea |
| 4223 | 63-65 | Rear Spindle, Case Hardened, (except Disc Brakes) - NEW | 129.95 ea |
| 4229 | 65-82 | Rear Spindle, Case Hardened - NEW | 129.95 ea |
| 10292 | 63-64 | Rear Wheel Stud Bolt | 1.50 ea |
| 4179 | 65-82 | Rear Wheel Stud Bolt | 1.50 ea |
| 6396 | 65-82 | Parking Brake Bolts | 6.00 ea |
| 6397 | 65-82 | Parking Brake Bolt Locks | 3.00 ea |
| 4445 | 65-75 | Rear Brake Back Plate - Lt. ZINC | 29.00 ea |
| 4446 | 65-75 | Rear Brake Back Plate - Rt. ZINC | 29.00 ea |
| 6340 | 76-82 | Rear Brake Back Plate - Lt. YELLOW Zinc | 29.00 ea |
| 6341 | 76-82 | Rear Brake Back Plate - Rt. YELLOW Zinc | 29.00 ea |
| 6323 | 65-82 | Parking Brake Shoe Anchor (mounts in rear brake shield) | 15.00 ea |
| 4279 | 65-82 | Rr Brake Caliper Mount Bracket - Lt | 82.50 ea |
| 4296 | 65-82 | Rr Brake Caliper Mount Bracket - Rt | 82.50 ea |
| 4524 | 65-82 | Front & Rear Caliper Mtg. Bolt - 8pcs. | 9.00 set |
| 4220 | 63-82 | Rear Spindle Bearing Support - Lt. | 129.00 ea |
| 4221 | 63-82 | Rear Spindle Bearing Support - Rt. | 129.00 ea |
| 4222 | 63-82 | Dust Shield on Bearing Support | 4.50 ea |
| 4226 | 63-79 | Dust Shield on Spindle Flange | 3.50 ea |
| 4225 | 63-79 | Spindle Flange - NEW | 75.00 ea |
| 10330 | 63-79 | Spindle Flange - Greasable | 98.50 ea |
| 4227 | 63-82 | Spindle Washer | 5.50 ea |
| 4228 | 63-82 | Spindle Nut | 3.00 ea |
| 6367 | 63-82 | Spindle Remover (Knocker) Tool | 18.95 ea |

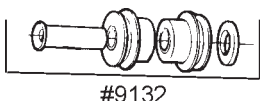


Rear Axle Bearings, Spacers and Shims

| | | | |
|------|-------|---|-----------|
| 3707 | 63-82 | Rear Axle Bearing and Seal Kit - one axle | 39.00 kit |
| 3724 | 63-82 | Rear Axle Outer Bearing | 16.00 ea |
| 3734 | 63-82 | Rear Axle Outer Bearing Seal | 6.50 ea |
| 4257 | 63-82 | Rear Axle Bearing Spacer (crush sleeve) | 13.50 ea |
| 3725 | 63-82 | Rear Axle Inner Bearing | 19.50 ea |
| 3735 | 63-82 | Rear Axle Inner Bearing Seal | 6.50 ea |
| 6373 | 63-82 | Rear Axle Bearing Spacer & Shim Kit 9 shims & 2 spacers (does both sides) | 41.95 kit |
| 4258 | 63-82 | Rear Axle Bearing Shim (specify thickness .097, .103, .109, .115, .121, .127, .133, .139, .145) | 3.00 ea |
| 6372 | 63-82 | Rear Axle Bearing Set-up Tool | 89.95 ea |
| 4199 | 63-64 | Outer Axle Bolt Lock (set of 4) | 13.00 set |
| 4254 | 65-82 | Outer Axle Bolt Lock - Steel (4 pcs) | 6.00 set |
| 4297 | 65-82 | Outer Axle Bolt Lock - S.S. (4 pcs) | 10.00 set |
| 4265 | 63-82 | Rear Wheel Bearing Greaser | 9.95 ea |

| | | | |
|------|-------|--|-----------|
| 4216 | 63-64 | *Rear Control Arm w/Front Bushing - Lt | 189.00 ea |
| 4217 | 63-64 | *Rear Control Arm w/Front Bushing - Rt | 189.00 ea |
| 4218 | 65-82 | *Rear Control Arm w/Front Bushing - Lt | 189.00 ea |
| 4219 | 65-82 | *Rear Control Arm w/Front Bushing - Rt | 189.00 ea |
| 4262 | 63-82 | *Note: 63-82 Rear Control Arms are Correct & Black Powder Coated Control Arm Front Bolt Kit (2 bolts, 2 nuts, 4 washers, 2 cotter pins) both sides | 9.95 kit |
| 4241 | 63-82 | Control Arm to Frame Bolt (2 req) | 4.95 ea |
| 4234 | 63-82 | Control Arm to Frame Washer (4 req) | .75 ea |
| 4242 | 63-82 | Control Arm to Frame Castle Nut (2 req) | 1.25 ea |
| 9132 | 63-82 | Control Arm Front Bushing Kit (2 bushings, 2 washers, 1 sleeve) does one arm | 19.95 kit |
| 4251 | 63-82 | Control Arm Front Bushing (4 req) | 9.50 ea |
| 4252 | 63-82 | Control Arm Front Sleeve (2 req) | 6.00 ea |
| 4253 | 63-82 | Control Arm Front Washer (4 req) | 1.50 ea |
| 9135 | 63-82 | Control Arm Shim Kit - Zinc (4) 1/8", (4) 1/4", (8) 1/32" - shims with one slotted end | 29.00 kit |
| 9136 | 63-82 | Control Arm Shim Kit - Stainless (4) 1/4", (4) 1/8", (8) 1/32" - shims with one slotted end | 35.00 kit |
| 9139 | 63-69 | Control Arm Shim Kit - Stainless (4) 1/4", (6) 1/8", (4) 1/32", (4) 1/64 - shims without slotted end | 38.00 kit |
| 4260 | 63-82 | Control Arm 1/4" Shim - ZINC | 2.50 ea |
| 4261 | 63-82 | Control Arm 1/8" Shim - ZINC | 2.50 ea |
| 4263 | 63-82 | Control Arm 1/32" Shim - ZINC | 2.50 ea |
| 4272 | 63-82 | Control Arm 1/4" Shim - Stainless | 3.00 ea |
| 4273 | 63-82 | Control Arm 1/8" Shim - Stainless | 3.00 ea |
| 4275 | 63-82 | Control Arm 1/32" Shim - Stainless | 3.00 ea |
| 4264 | 63-82 | Control Arm Shim Cotter Pin S.S | 2.00 ea |
| 4274 | 63-64 | Rear Control Arm Stud Bolt to Spindle Support (8 req) NOS GM Limited Supply | 6.00 ea |
| 4240 | 65-82 | Rear Control Arm Stud Bolt to Spindle Support (8 req) | 2.00 ea |
| 4233 | 63-82 | Nut - for Part #4240 Gr.8 (8 pcs) | 3.75 set |
| 4413 | 65-82 | Cable Guide on Trailing Arm | 1.50 ea |
| 4255 | 63-64 | Control Arm Upper Bumpers (2) w/hardware | 47.00 kit |
| 4232 | 63-64 | Control Arm Upper Bumper | 26.00 ea |
| 4230 | 65-75 | Control Arm Upper Bumper | 10.00 ea |
| 4236 | 76-82 | Control Arm Upper Bumper | 15.00 ea |

See TOOL Section for Spindle Bearing Set-Up Tool and Spindle Installation Tool and More



#9132



#4262 does both sides

130 63-82 Rear End & Axle

80-82 REAR END

| | | | |
|--------|-------|---|-----------|
| 9710 | 80-82 | Rear End Cover Gasket | 9.00 ea |
| 3709 | 80-82 | Rear End Filler Plug | 13.00 ea |
| 9713 | 80-82 | Pinion Seal | 17.00 ea |
| 5106 | 80-82 | Rear End Pinion Front Bearing | 19.00 ea |
| 5112 | 80-82 | Rear End Pinion Rear Bearing | 24.00 ea |
| 5124 | 80-82 | Rear End Carrier Side Bearing (2 req) | 26.00 ea |
| 9714 | 80-82 | Side Yoke Seals | 13.00 ea |
| 9715 | 80-82 | Side Yoke Bearing | 45.00 ea |
| 10040_ | 80-81 | 4spd Side Yoke - Reconditioned (Specify Year and Lt or Rt) core charge \$60 | 109.00 ea |
| 10041_ | 80-82 | Auto Side Yoke - Reconditioned (Specify Year and Lt or Rt) core charge \$60 | 109.00 ea |

Rear End Lube & Posi Additive

| | | | |
|------|-------|--|---------|
| 3695 | 63-82 | GM Positraction Additive (1 per car) | 7.75 ea |
| 3696 | 63-82 | GM Rear Axle Gear Lubricant (2 per car) | 8.75 ea |

65-82 Gear Sets

| | | | |
|------|-------|--|--------------|
| 3752 | 65-79 | 3.55 Gear Set | 359.00 set |
| 3753 | 65-79 | 3.70 Gear Set | 359.00 set |
| 3792 | 65-79 | 4.11 Gear Set. (for 3 series carrier only) | 359.00 set |
| 3743 | 65-79 | Gear Installation Kit - Bearings, Seals, Gaskets, Shims & Ring Gear Bolts Specify Year | 139.00 ea |
| 3793 | 63-79 | Ring Gear Bolts (10 pcs) | 16.00 set |
| 9711 | 80-82 | 3.55 Gear Set w/Installation Kit | 375.00 ea ND |
| 9712 | 80-82 | 3.70 Gear Set w/Installation Kit | 385.00 ea ND |

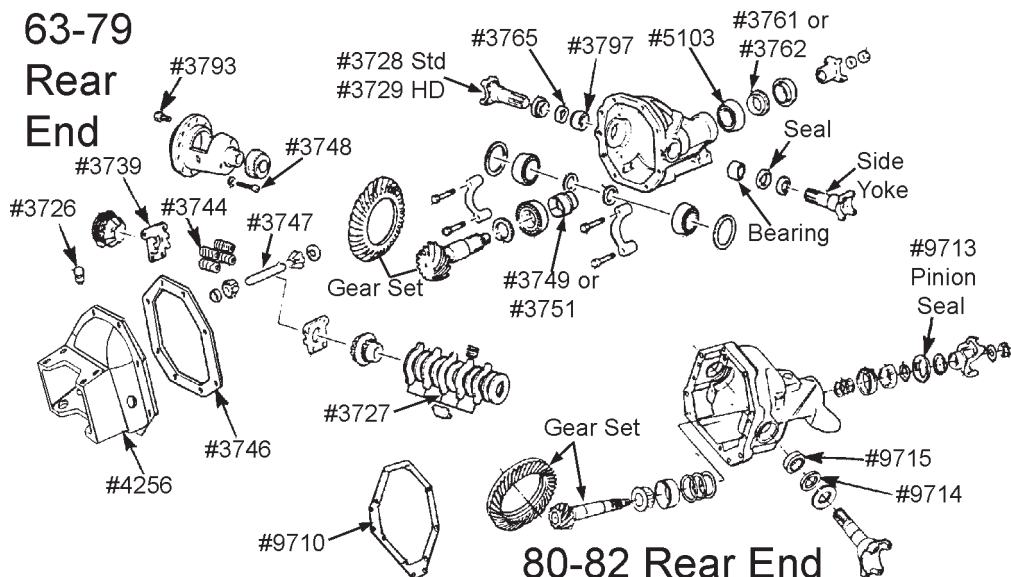
Gear Installation Kit includes - Bearings, Seals, Gaskets, Shims & Ring Gear Bolts

63-79 REAR END

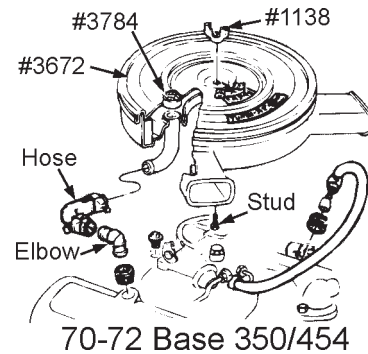
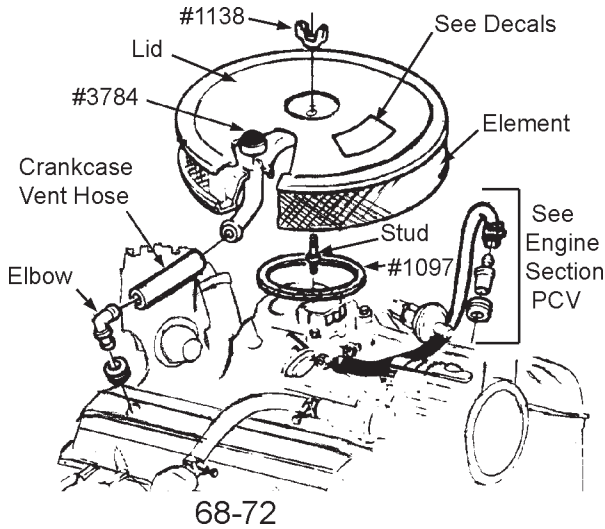
| | | | |
|-------|--------|---|------------|
| 4256 | 63-77 | Heavy Duty Rear End Cover (for 2 1/4" wide spring and 9/16" spring bolts) | 110.00 ea |
| 4276 | 78-79 | Heavy Duty Rear End Cover (for 2 1/2" wide spring and 7/16" spring bolts) | 115.00 ea |
| 3746 | 63-79 | Rear End Cover Gasket | 4.00 ea |
| 3797 | 63-79 | Rear End Side Yoke Bearing (outer) | 14.00 ea |
| 3765 | 63-79 | Rear End Side Yoke Seal | 7.50 ea |
| 3728 | 63-79 | Side Yoke - Std (U-Bolt Type) - New | 119.95 ea |
| 4245 | 63-79 | Side Yoke U-Bolt w/washers & nuts -4 req . | 3.50 ea |
| 3729 | 63-79 | Side Yoke - HD (threaded cap type), New | 119.95 ea |
| 4246 | 63-79 | Retainer Cap for HD Side Yoke (4 req) | 21.00 ea |
| 4247 | 63-79 | Retainer Cap Bolts for HD Side Yoke-8 pcs | 8.00 set |
| 3794 | 63-79 | Side Yoke Snap Ring (2 req) | 1.50 ea |
| 5104 | 63-79 | Rear End Carrier Side Bearing (2 req) | 24.00 ea |
| 5103 | 65-79 | Rear End Pinion Front Bearing | 27.00 ea |
| 5102 | 65-79 | Rear End Pinion Rear Bearing | 26.00 ea |
| 3762 | 63-79 | Rear End Pinion Seal | 8.00 ea |
| 5251 | 63-79 | Rear End Pinion Washer | 6.50 ea |
| 5252 | 63-79 | Rear End Pinion Nut | 7.50 ea |
| 3726 | 63-79 | Rear End Vent | 4.00 ea |
| 3714 | 63-64 | Rear End Filler Plug w/Washer N.O.S. | 15.00 ea |
| 10395 | 63-64 | Rear End Filler Plug - replacement | 6.50 ea |
| 3708 | 65-79 | Rear End Filler Plug - Reconditioned | 20.00 ea |
| 3727 | 65-79 | Rear End Posi Clutch Pack w/Disc | 109.00 set |
| 3739 | 65-79 | Posi Spring Plate (2 req) | 11.00 ea |
| 3744 | 65-79 | Posi Springs (4 pc set) | 18.00 set |
| 3747 | 65-79 | Posi Cross Pin | 27.50 ea |
| 3748 | 65-79 | Posi Cross Pin Lock Bolt | 17.50 ea |
| 3749 | 63-65E | Pinion Bearing Spacer - Short | .DISC |
| 3751 | 65L-79 | Pinion Bearing Spacer - Long | 9.50 ea |
| 3793 | 63-79 | Ring Gear Bolts (10 pcs) | 16.00 set |

NEW REAR TRAILING ARM ASSEMBLIES
See Page 125

U-Joints, Driveshafts, Halfshafts, Flanges Etc - See Page 128



AIR CLEANER



68-72 327/350

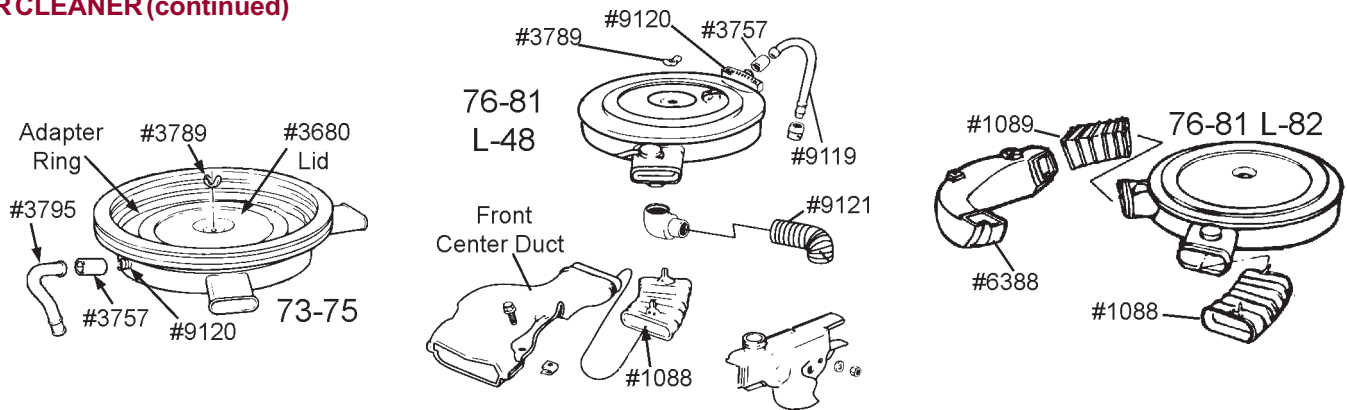
| | | | |
|--------|---------|---|-----------|
| 1072 | 68-72 | Air Cleaner Assy. - Open Type <u>with</u> Silk Screened Instructions on Lid - Fits: 68-69 All 327/350 or 70early w/Base 350 | 169.00 ea |
| 1161 | 70-72 | Air Cleaner Assy. LT-1 Open Type <u>with</u> Silk Screened Instructions on Lid | 169.00 ea |
| 3670 | 70-72 | Air Cleaner Assy. LT-1 Open Type <u>without</u> Silk Screened Instructions on Lid | 119.00 ea |
| 1190 | 68-72 | Air Cleaner Lid w/ Silk Screened Instructions | 69.00 ea |
| 1080 | 68-72 | Air Cleaner Lid w/o Silk Screened Instructions (for open type air cleaner) .. | 39.95 ea |
| 3687 | 68-72 | Air Cleaner Lid - Stainless Steel (for open type air cleaner) | 95.00 ea |
| 1090 | 70-72 | Dual Snorkel Air Cleaner Assy. - Base Engine 350 or 454 - Closed Type | 335.00 ea |
| 3672 | 70-72 | Air Cleaner Lid only - Base Engine 350 or 454 Closed Type | 125.00 ea |
| 10575A | 68-71 | Air Cleaner Base Only - fits 68-69 327 & 350, 70E w/Base 350 | 67.00 ea |
| 10576A | 68-72 | Air Cleaner Base Only - fits 70-72 LT1 | 67.00 ea |
| 1136 | 68-72 | Air Cleaner to Carb Stud w/Holley | 5.50 ea |
| 9117 | 68-74 | Air Cleaner to Carb Stud - Q-Jet | 4.50 ea |
| 1097 | 68-81 | Air Clnr to Carb Gasket w/Holley or Q-Jet ... | 3.00 ea |
| 1138 | 68-81 | Air Cleaner Chrome Wing Nut (correct for 68-72) | 3.00 ea |
| 3789 | 73-81 | Air Cleaner Wing Nut - Black | 3.50 ea |
| 1020 | 68-70 E | Air Cleaner Element w/Correct Bias Cut Mesh - for Open Type Air Cleaner | 37.50 ea |
| 3673 | 70L-72 | Air Cleaner Element w/Correct Horizontal Cut Mesh - for Open Type Air Clnr | 36.00 ea |
| 1082 | 68-72 | Air Cleaner Paper Element - Replacement for Open Type Air Cleaner | 12.00 ea |
| 3674 | 70-74 | Air Cleaner Paper Element w/Rochester Q-Jet Carb | 11.00 ea |
| 3784 | 68-72 | Air Cleaner Flame Arrestor Screen in Air Cleaner | 8.50 ea |
| 3844 | 68-72 | Crankcase Vent Tube Hose w/327-350 from Air Cleaner to Valve Cover | 15.50 ea |
| 3790 | 68-72 | Crankcase Vent Hose Clamp | 10.00 pr |
| 3845 | 68-72 | Crankcase Vent Tube Elbow, R.H. Valve Cover to Air Cleaner w/327-350 | 8.75 ea |

68-74 427/454

| | | | |
|---|--------|--|-----------|
| 1072 | 68-72 | Air Cleaner Assy. w/Silk Screened Instructions (Fits 68-69 exc. 3 x 2, 70 390 HP and 71 454 LS-6 (open type) | 169.00 ea |
| 1090 | 70-72 | Dual Snorkel Air Cleaner Assy (454 Base Engine Closed Type) | 335.00 ea |
| 1190 | 68-72 | Air Cleaner Lid - Open Type w/Silk Screened Instructions | 69.00 ea |
| 1080 | 68-72 | Air Cleaner Lid - Open Type without Silk Screened Instructions | 39.95 ea |
| 3687 | 68-72 | Air Cleaner Lid - Stainless - for open type .. | 95.00 ea |
| 3672 | 70-72 | Air Cleaner Lid - Closed Type w/454 Base Engine | 125.00 ea |
| 10575A | 68-71 | Air Cleaner Base Only - fits 68-69 427 exc 3 x 2 & L-88, 70E 454/390 HP, 71 454 LS-6 | 67.00 ea |
| 10576A | 68-69 | L-88 Air Cleaner Base Only | 67.00 ea |
| 3719 | 68-69 | L-88 Air Cleaner Assembly | 149.00 ea |
| 3787 | 68-69 | L-88 Crankcase Vent Tube Hose - Straight . | 5.50 ea |
| L-88 Air Cleaner Parts - also sold separately - CALL | | | |
| 1020 | 68-70E | Air Cleaner Element w/Correct Bias Cut Mesh for Open Air Cleaner | 37.50 ea |
| 3673 | 70L-72 | Air Cleaner Element w/Correct Horizontal Cut Mesh for Open Air Cleaner | 36.00 ea |
| 3674 | 70-74 | Air Cleaner Element w/Rochester Q-Jet Carb | 11.00 ea |
| 1082 | 68-72 | Air Cleaner Element - Replacement Open Type | 12.00 ea |
| 1136 | 68-72 | Air Cleaner to Carb Stud w/Holley | 5.50 ea |
| 9117 | 68-74 | Air Cleaner to Carb Stud - QJet | 4.50 ea |
| 1138 | 68-81 | Air Cleaner Chrome Wing Nut (73-81 Repl) | 3.00 ea |
| 3789 | 73-81 | Air Cleaner Wing Nut - Black | 3.50 ea |
| 3784 | 68-72 | Air Cleaner Flame Arrestor Screen | 8.50 ea |
| 3754 | 68-72 | Crankcase Vent Tube Hose - Air Cleaner to Valve Cover w/427-454 exc 3 x 2 | 11.50 ea |
| 3790 | 68-72 | Crankcase Vent Hose Clamp | 10.00 pr |
| 3796 | 68-74 | Crankcase Vent 90 Degree Elbow 68-74 427 exc 3X2, 454 RH 68-69 3x2 L.H. | 12.00 ea |
| 3786 | 68-74 | Crankcase Vent Tube Elbow Grommet in Valve Cover - Fits: 68-69 427 w/3X2 LH 68-74 427 exc 3X2, 454 RH | 3.00 ea |
| 3791 | 73-74 | Crankcase Vent Tube w/454 from RH Valve Cover to Air Cleaner Filter | 17.00 ea |

PCV Parts - See ENGINE Section

AIRCLENER (continued)

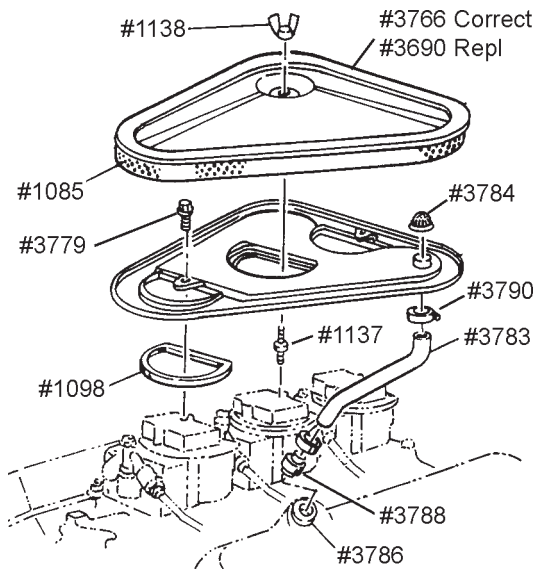


73-81 350

| | | | | | | | |
|-------|-------|--|-----------|------|-------|---|----------|
| 1091 | 73-74 | Air Cleaner Assy (Base, Lid and Adapter Ring) | 309.00 ea | 3795 | 73-75 | Crankcase Vent Tube w/350 | 17.00 ea |
| 10414 | 75 | Air Cleaner Assy (Base, Lid and Adapter Ring) | 309.00 ea | 9119 | 76-81 | Air Cleaner to Valve Cover Vent Tube | 8.50 ea |
| 9127 | 73-74 | Air Cleaner Adapter Ring | 55.00 ea | 3757 | 73-81 | Hose - Crankcase Vent Tube to Air Cleaner 2" long 3/4" I.D. GM Logo | 3.75 ea |
| 9128 | 75 | Air Cleaner Adapter Ring | 55.00 ea | 9120 | 73-81 | Crankcase Vent Filter Inside Air Cleaner Base | 4.00 ea |
| 1087 | 73-75 | Air Cleaner to Hood Seal | 49.00 ea | 9121 | 76-82 | Carb Preheater Hose - flexible aluminum ... | 7.50 ea |
| 3680 | 73-75 | Air Cleaner Lid Base Engine 12 1/4" Dia - Black | 59.00 ea | 1088 | 76-81 | Air Intake Flex Duct to Core Support- GM . | 17.00 ea |
| 1040 | 76-81 | CHROME - Air Cleaner Lid | 39.95 ea | 1089 | 78-81 | Air Intake Flex Duct to Side Fender- GM ... | 16.00 ea |
| 1138 | 68-81 | Air Cleaner Chrome Wing Nut (correct for 68-72) | 3.00 ea | 1017 | 76-81 | Air Intake Flex Duct to Core Support Repro | 13.00 ea |
| 3789 | 73-81 | Air Cleaner Wing Nut - Black | 3.50 ea | 1018 | 78-81 | Air Intake Flex Duct to Side Fender Repro | 14.00 ea |
| 9117 | 68-74 | Air Cleaner to Carb Stud - Q-Jet | 4.50 ea | 6389 | 76-78 | Air Intake Duct - Front Center (78 L-48) ... | 35.75 ea |
| 9118 | 75-81 | Air Cleaner to Carb Stud | 4.50 ea | 6387 | 78-81 | Air Intake Duct - Front Center (78 L-82 and 79-81 All) | 25.00 ea |
| 1097 | 68-81 | Air Clnr to Carb Gasket w/Holley or Q-Jet.. | 3.00 ea | 6388 | 78-81 | Air Intake Duct - Side (78 L-82 and 79-81 All) | 33.50 ea |
| 10331 | 82 | Air Cleaner to Carb Gasket | 7.50 ea | | | | |
| 3674 | 70-74 | Air Cleaner Paper Element w/Rochester Q-Jet Carb | 11.00 ea | | | | |
| 3675 | 75-81 | Air Cleaner Element - All | 11.00 ea | | | | |

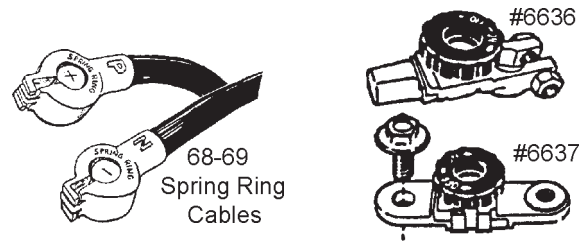
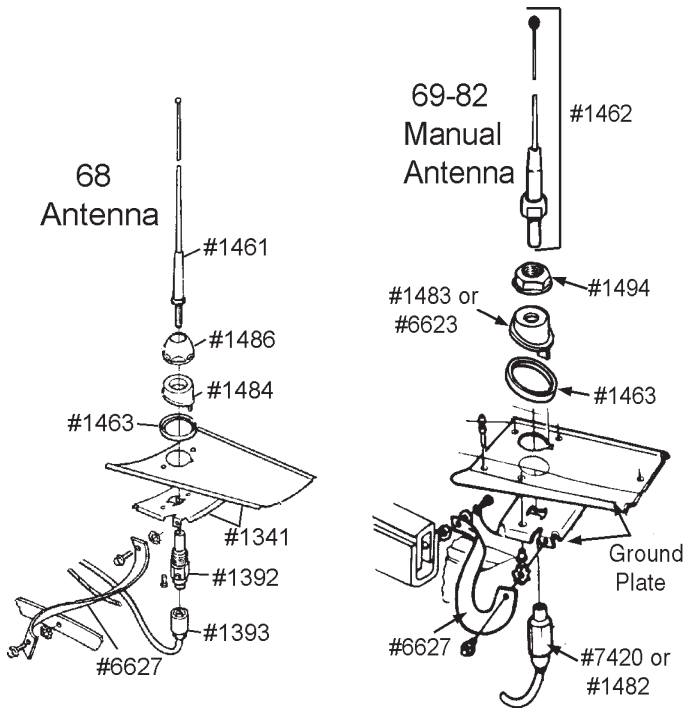
PCV Parts - See ENGINE Section

67-69 3 X 2



| | | | |
|------|-------|---|-------------|
| 1160 | 68-69 | 3 x 2 Air Cleaner Assy w/Element | 465.00 ea |
| 7738 | 68-69 | 3 x 2 Air Cleaner Base Only | 279.00 ea |
| 3766 | 68-69 | 3 x 2 Air Cleaner Lid w/Silk Screened Instructions. | 179.00 ea |
| 3690 | 68-69 | 3 x 2 Air Cleaner Lid - No Silk Screened Instructions on under side of lid LIMITED SUPPLY | DISC |
| 1098 | 68-69 | 3 x 2 Air Cleaner to Carb Gaskets (3 pcs) .. | 8.00 set |
| 1137 | 68-69 | Air Cleaner Stud w/3 x 2 | 5.50 ea |
| 1138 | 68-72 | Air Cleaner Chrome Wing Nut | 3.00 ea |
| 3779 | 68-69 | Air Cleaner Base to Carb Bolts (1 pr) | 5.50 pr |
| 1085 | 68-69 | Air Cleaner Element Assy. (Foam & Screen) | 47.50 ea |
| 1083 | 68-69 | Air Cleaner Foam Only w/3 x 2 | 23.00 ea |
| 1084 | 68-69 | Air Cleaner Screen Only w/3 x 2 | 28.00 ea |
| 3783 | 68-69 | Air Cleaner to Valve Cover Hose w/3 x 2 . | 15.00 ea |
| 3790 | 68-69 | Air Cleaner to Valve Cover Hose Clamps ... | 10.00 pr |
| 3784 | 68-69 | Air Cleaner Flame Arrestor Screen | 8.50 ea |
| 3796 | 68-69 | Crankcase Vent 90 Degree Elbow in LH Valve Cover w/ 3 x 2 | 12.00 ea |
| 3786 | 68-69 | Flame Arrestor Grommet 68-69 3X2 LH Valve Cover. | 3.00 ea |
| 3788 | 68-69 | Flame Arrestor - LH w/3 x 2 | 18.00 ea |
| 3846 | 68-69 | 3 x 2 PCV Hose - Right Side of Intake to Right Valve Cover | 8.50 ea |

ANTENNA



BATTERY

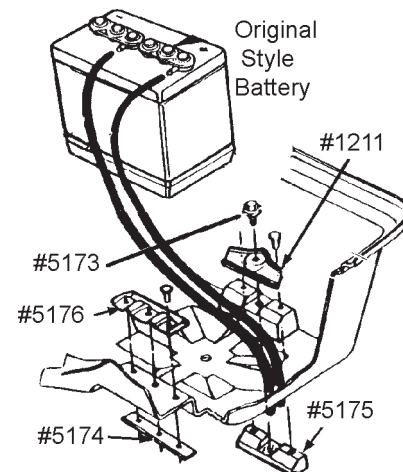
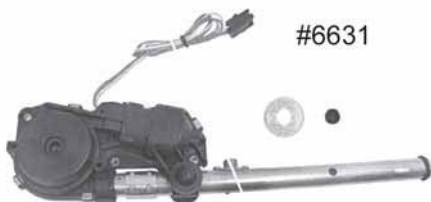
| | | | |
|------|-------|---|------------|
| 1059 | 68-69 | Spring Ring Battery Cables (2 gauge, includes grommets) | 78.00 pr |
| 9052 | 69 | Side Post Battery Cable Set, pos and neg (2 gauge, includes grommets) | 108.00 set |
| 6061 | 70 | Side Post Battery Cable Set, pos and neg (2 gauge, includes grommets) | 108.00 pr |
| 6062 | 71 | Side Post Battery Cable Set, pos and neg (2 gauge, includes grommets) | 108.00 pr |
| 9053 | 72-74 | Side Post Battery Cable Set, pos and neg (0 gauge, includes grommets) | 108.00 set |
| 9054 | 75-79 | Side Post Battery Cable Set, pos and neg (0 gauge, includes grommets) | 108.00 set |

The above Battery Cable Sets are Authentic Reproductions

ANTENNA

| | | | |
|------|--------|---|-----------|
| 1385 | 68 | Antenna Assy. Complete Less Cable | 44.50 ea |
| 1386 | 69-73 | Antenna Assy. Complete w/Cable except Power | 43.95 ea |
| 1387 | 74-78 | Antenna Assy. Complete w/Cable except Power | 44.95 ea |
| 1461 | 68 | Antenna Mast w/Small Nut | 12.00 ea |
| 1486 | 68 | Antenna Nut | 7.00 ea |
| 1484 | 68 | Antenna Spacer | 7.00 ea |
| 1463 | 68-77 | Antenna Gasket | 2.00 ea |
| 1392 | 68 | Antenna Base - Thru Body | 25.00 ea |
| 1393 | 68 | Antenna Cable | 32.50 ea |
| 1462 | 69-77 | Antenna Mast w/Small Nut | 10.00 ea |
| 1494 | 69-77 | Antenna Nut | 6.50 ea |
| 1483 | 69-73 | Antenna Spacer | 6.50 ea |
| 6623 | 74-77 | Antenna Spacer | 6.50 ea |
| 7420 | 69-75E | Ant. Cable w/Housing Thru Body - 177" | 23.50 ea |
| 1482 | 75L-77 | Ant. Cable w/Housing Thru Body - 129" | 27.75 ea |
| 1341 | 68-73 | Antenna Ground Plate w/Support | 20.95 ea |
| 6629 | 74-77 | Ant Ground Plate w/Reinforcement - NEW | 22.95 ea |
| 6627 | 68-77 | Antenna Ground Strap exc Pwr Ant | 4.00 ea |
| 6630 | 78-82 | Power Antenna Ground Strap | 17.50 ea |
| 6628 | 79-82 | Power Antenna Nut | 6.25 ea |
| 6631 | 79L-82 | Power Antenna w/o C.B. - very similar replacement | 159.00 ea |
| 6689 | 79-82 | Power Antenna Cable & Mast Repair Kit exc CB | 25.50 ea |
| 6692 | 79-82 | Power Antenna Cable & Mast Repair Kit with CB | 25.50 ea |
| 9107 | 78-79 | Power Antenna Relay | 24.00 ea |

| | | | |
|------|-------|--|-----------|
| 6045 | 70-82 | Positive Battery Cable (70-79 Repl) | DISC |
| 6046 | 71-75 | Negative Battery Cable (Repl) | 18.00 ea |
| 6047 | 76-82 | Negative Battery Cable (76-79 Repl) | 18.00 ea |
| 9962 | 68-75 | Battery Cable Retainer Strap - attaches cable to block on RH side w/Bolt | 9.50 ea |
| 4372 | 68-82 | Stud Plate Fastener - for Negative Battery Cable to underbody tunnel (6 req) | 6.50 ea |
| 5166 | 68-71 | Ground Cable Starter Motor to Frame | 30.00 ea |
| 5167 | 72-82 | Ground Cable Starter Motor to Frame | 30.00 ea |
| 1211 | 68-82 | Battery Hold Down Clamp - Rear | 4.00 ea |
| 5173 | 68-82 | Battery Hold Down Clamp Bolt "E" | 1.25 ea |
| 5175 | 68-82 | Battery Hold Down Rein. - Rear | 9.00 ea |
| 5174 | 68-82 | Battery Hold Down Clamp Reinforcement Front (underbody) | 3.50 ea |
| 5176 | 68-82 | Battery Hold Down Clamp - Front | 4.50 ea |
| 1041 | 68-69 | Battery Terminal Felts | 3.00 pr |
| 7627 | 68 | Jack & Battery Storage Compartment Insulation (2 pcs) | 68.00 set |
| 6636 | Any | Top Post Battery Disconnect Switch | 9.95 ea |
| 6637 | Any | Side Post Battery Disconnect Switch | 12.95 ea |



BODY MOUNTING & FRAME

Body Mounting Kits - Complete

Body Mounting Kits Include all Cushions, Spacers, Shims, Nuts, Washers and Correct Style Bolts as required.

| | | | |
|------|-------|---|-------------------|
| 3908 | 68-72 | Body Mounting Kit, Coupe or Conv. US Made | 99.00 kit |
| 3910 | 73-82 | Body Mounting Kit, Coupe or Conv US Made | 139.95 kit |
| 4907 | 68-72 | Alum Body Mount Spacer (fits Mount #1 and #4 Rt Side, #2 and #3 Both sides) | 5.00 ea |
| 4908 | 68-72 | Alum Body Mount Spacer with Raised Center (fits Mount #1 and #4 Lt Side) | 6.00 ea |
| 4909 | 68-72 | Body Mount U-Shaped Shim | 1.50 ea |
| 5993 | 73-82 | Body Mount Cushion Assembly (8 per car) | 19.00 ea |
| 5994 | 73-82 | Body Mount Bolt w/Flanged Head - Zinc | 4.00 ea |
| 5995 | 73-82 | Body Mount Flanged Nut - Zinc | 1.00 ea |
| 5996 | 73-82 | Body Mount Square Shim | 1.75 ea |

Body Mount Reinforcement Brackets (on body)

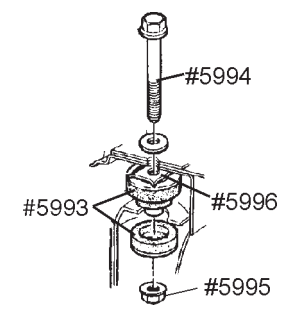
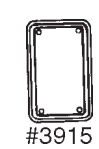
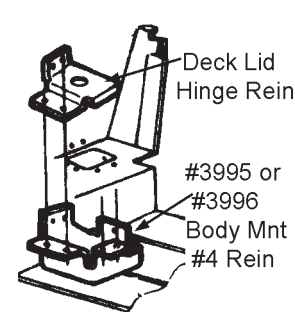
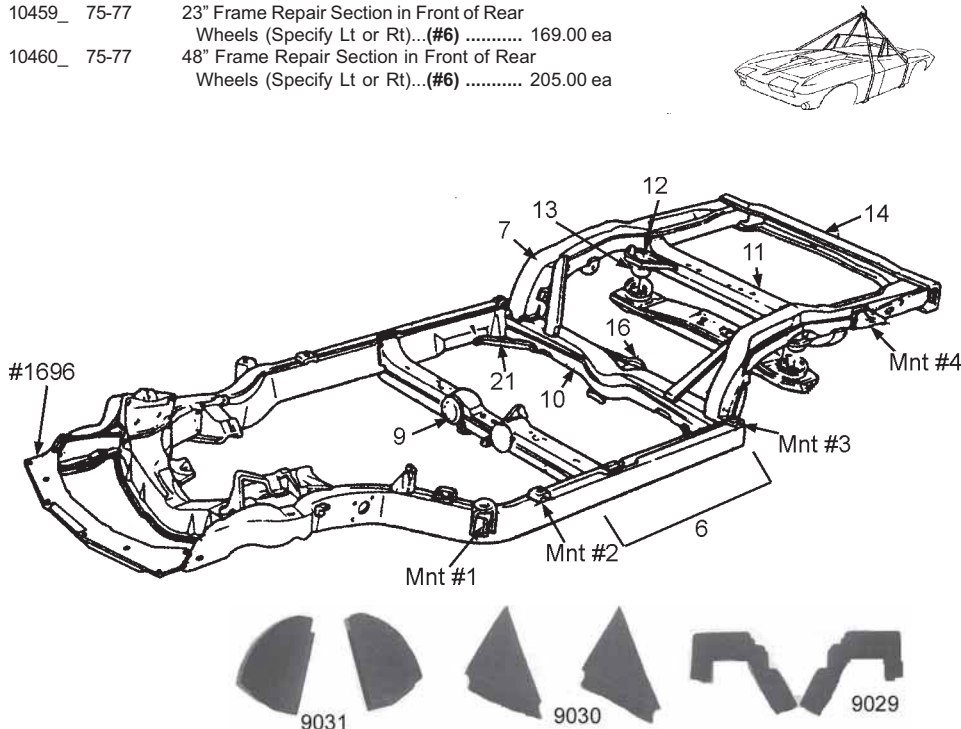
| | | | |
|------|-------|--|----------|
| 3994 | 68-82 | Body Mount #1 Reinforcement (Lt or Rt) .. | 21.00 ea |
| 3995 | 68-82 | Body Mount #4 Reinforcement - Lt. | 40.00 ea |
| 3996 | 68-82 | Body Mount #4 Reinforcement - Rt. | 40.00 ea |
| 5999 | 68-82 | Aluminum Body Assembly Rivets - large flat head 5/8" long (25 pcs) | 4.00 set |
| 6033 | 68-82 | Aluminum Body Assembly Rivets- large flat head 7/16" long (25 pcs) | 4.00 set |
| 3915 | 68-82 | #3 Rear Body Mount Access Cover By Rear Wheel | 7.50 ea |
| 8628 | 68-82 | #3 Rear Body Mount Access Cover Screws and Lockwashers | 6.50 set |
| 4910 | 68-82 | #3 Rear Body Mount Access Cover U-Nuts .. | 2.50 set |

Frame Sections and Parts

| | | | |
|--------|-------|--|-----------|
| 3976_ | 68-74 | 23" Frame Repair Section in Front of Rear Wheels (Specify Lt or Rt)...(#6) | 125.00 ea |
| 3977_ | 68-74 | 48" Frame Repair Section in Front of Rear Wheels (Specify Lt or Rt)...(#6) | 175.00 ea |
| 10459_ | 75-77 | 23" Frame Repair Section in Front of Rear Wheels (Specify Lt or Rt)...(#6) | 169.00 ea |
| 10460_ | 75-77 | 48" Frame Repair Section in Front of Rear Wheels (Specify Lt or Rt)...(#6) | 205.00 ea |

| | | | |
|-------|-------|---|-----------|
| 9112_ | 78-82 | 23" Frame Repair Section in Front of Rear Wheels(Specify Lt or Rt)...(#6) | 169.00 ea |
| 9113_ | 78-82 | 48" Frame Repair Section in Front of Rear Wheels (Specify Lt or Rt)...(#6) | 205.00 ea |
| 3992_ | 68-74 | Rear Frame Kick-Up Assy. w/Brackets (Specify Lt or Rt).....(#7) ... | 415.00 ea |
| 10110 | 68 | Front Crossmember/Bumper Support | 189.00 ea |
| 1696 | 69-72 | Front Crossmember/Bumper Support | 169.00 ea |
| 9009 | 68-79 | Crossmember Under Trans- Auto...(#9) .. | 295.00 ea |
| 9011 | 68-78 | Crossmember Under Trans- 4sp...(#9) .. | 335.00 ea |
| 3978 | 68-74 | #3 Frame Crossmember w/Differential Bracket - in Front of Rear Wheels(#10) .. | 345.00 ea |
| 9012 | 68-79 | Crossmember Over Rear Axle.....(#11) .. | 195.00 ea |
| 3974_ | 68-79 | Frame Gusset for over Rear Axle Crossmember Specify Lt or Rt...(#12) .. | 40.00 ea |
| 3991 | 68-82 | Sombrero - Welds to Gusset of Rear Axle Crossmember.....(#13) ... | 38.00 ea |
| 9021 | 68-74 | Rear Crossmember (specify year)...(#14) .. | 109.00 ea |
| 3984 | 68-79 | Rear End Carrier Bracket (welds to #3 Crossmember).....(#16) .. | 59.00 ea |
| 3998 | 68-82 | Body Mount Cage w/Nut - for Mount #2 or #3 | 13.50 ea |
| 3982 | 68-82 | Body Mount Cage w/Nut - for Mount #4 ... | 11.00 ea |
| 3943_ | 68-82 | #1 Body Mount Bracket on Frame specify Lt or Rt..... | 40.00 ea |
| 9001 | 68-82 | #2 or #3 Body Mount on Frame w/Cage and Nut (75-82 Repl)..... | 29.00 ea |
| 3988 | 68-82 | #4 Body Mount Bracket on Frame - Rear Rear Axle..... | 40.00 ea |
| 3989 | 68-74 | Gusset Below #3 Mount,Lt or Rt(#21) .. | 22.00 ea |
| 3993_ | 75-82 | Gusset Below #3 Mount,Lt or Rt....(#21) .. | 35.00 ea |
| 9029 | 69-75 | Frame Rail Heat Shields (mounts between frame rail & underbody in front of #2 body mount) | 17.50 pr |
| 9030 | 69-75 | Body Sill Wedge Heat Shields (triangular black shield mounts between firewall & splash shield along side frame) | 6.50 pr |
| 9031 | 73-80 | Body Shields (at #1 Body Mount) | 6.50 pr |
| 7445 | 68-70 | Conv Top Hinge Reinforcement - Lt | 27.00 ea |
| 7446 | 68-70 | Conv Top Hinge Reinforcement - Rt | 27.00 ea |
| 7447 | 71-75 | Conv Top Hinge Reinforcement - Lt | 27.00 ea |
| 7448 | 71-75 | Conv Top Hinge Reinforcement - Rt | 27.00 ea |

3999 68-82 Body Lift Sling Kit - Best on the Market Don't need an unusually high ceiling 79.00 ea ND



BRAKE LINES & HARDWARE

Brake Line Sets - Steel

| | | | |
|------|-------|---|------------|
| 4464 | 68 | Steel Brake Lines - Full Car Set (Std.) | 115.00 set |
| 4465 | 68 | Steel Brake Lines - Full Car Set (w/P.B.) | 115.00 set |
| 4460 | 69 | Steel Brake Lines - Full Car Set (Std.) | 115.00 set |
| 4461 | 69 | Steel Brake Lines - Full Car Set (w/P.B.) | 115.00 set |
| 4462 | 70-73 | Steel Brake Lines - Full Car Set (Std.) | 124.00 set |
| 4463 | 70-73 | Steel Brake Lines - Full Car Set (w/P.B.) | 124.00 set |
| 4466 | 74 | Steel Brake Lines - Full Car Set (Std.) | 115.00 set |
| 4467 | 74 | Steel Brake Lines - Full Car Set (w/P.B.) | 115.00 set |
| 4468 | 75-82 | Steel Brake Lines - Full Car Set (Std.) | 124.00 set |
| 4469 | 75-82 | Steel Brake Lines - Full Car Set (w/P.B.) | 124.00 set |

Brake Line Sets - Stainless Steel

The following Stainless Lines have Stainless Armor and Plated Steel Nuts

| | | | |
|------|-------|---|------------|
| 8464 | 68 | Stainless Steel Brake Lines - (Std.) Full Car Set | 145.00 set |
| 8465 | 68 | Stainless Steel Brake Lines - (w/P.B.) Full Car Set | 145.00 set |
| 8460 | 69 | Stainless Steel Brake Lines - (Std.) Full Car Set | 145.00 set |
| 8461 | 69 | Stainless Steel Brake Lines - (w/P.B.) Full Car Set | 145.00 set |
| 8462 | 70-73 | Stainless Steel Brake Lines - (Std.) Full Car Set | 145.00 set |
| 8463 | 70-73 | Stainless Steel Brake Lines - (w/P.B.) Full Car Set | 145.00 set |
| 8466 | 74 | Stainless Steel Brake Lines - (Std.) Full Car Set | 145.00 set |
| 8467 | 74 | Stainless Steel Brake Lines - (w/P.B.) Full Car set | 145.00 set |
| 8468 | 75-82 | Stainless Steel Brake Lines - (Std.) Full Car Set | 145.00 set |
| 8469 | 75-82 | Stainless Steel Brake Lines - (w/P.B.) Full Car Set | 145.00 set |

Steel Brake Lines - Individual

| | | | |
|------|-------|---------------------------------------|----------|
| 6308 | 68 | Left Front Line, Block to Rubber Hose | 9.50 ea |
| 6309 | 68 | Front Crossover Line | 28.00 ea |
| 6328 | 68 | Rear Steel Caliper Line - Lt | 10.50 ea |
| 6329 | 68 | Rear Steel Caliper Line - Rt | 10.50 ea |
| 6370 | 69-82 | Rear Steel Caliper Line - Lt | 10.00 ea |
| 6371 | 69-82 | Rear Steel Caliper Line - Rt | 10.00 ea |
| 6330 | 68-82 | Rear Steel Crossover Line | 17.00 ea |

Other Lines are available - but are special order and are non-returnable

Stainless Steel Lines - Individual

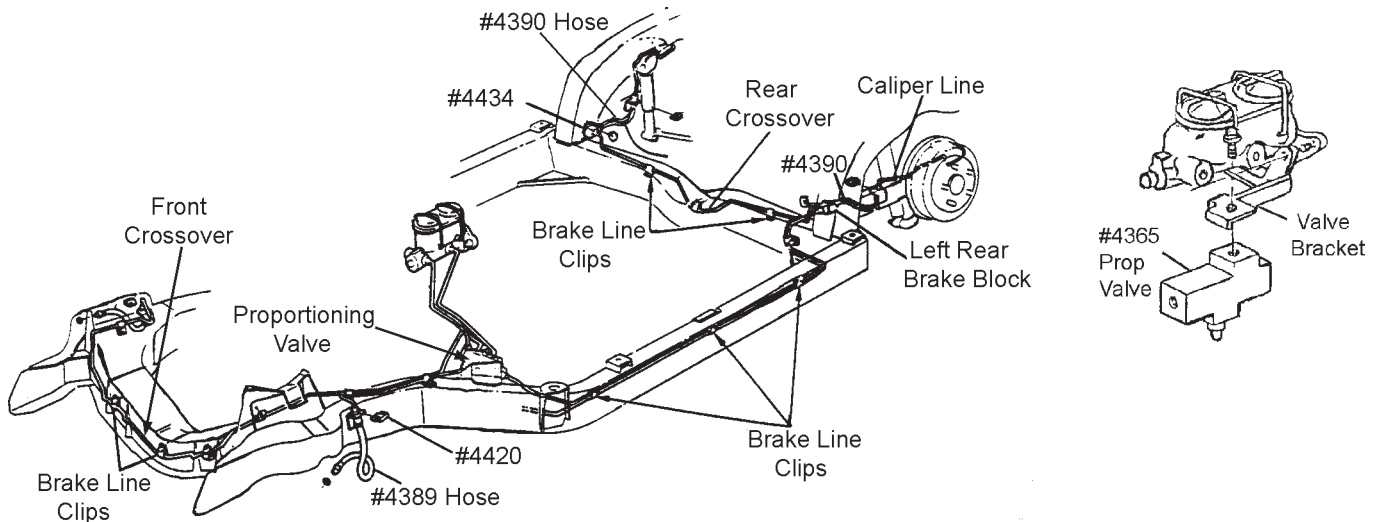
| | | | |
|------|-------|----------------------------------|----------|
| 8328 | 68 | Rear Stainless Caliper Line - Lt | 14.00 ea |
| 8329 | 68 | Rear Stainless Caliper Line - Rt | 14.00 ea |
| 8370 | 69-82 | Rear Stainless Caliper Line - Lt | 14.00 ea |
| 8371 | 69-82 | Rear Stainless Caliper Line - R | 14.00 ea |
| 8330 | 63-82 | Rear Stainless Crossover Line | 24.00 ea |

Brake Line Clips

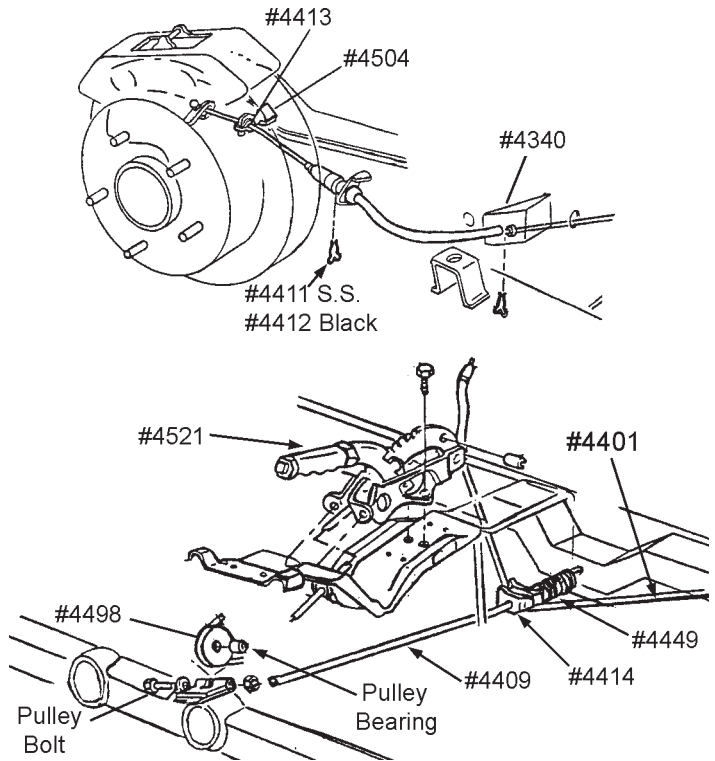
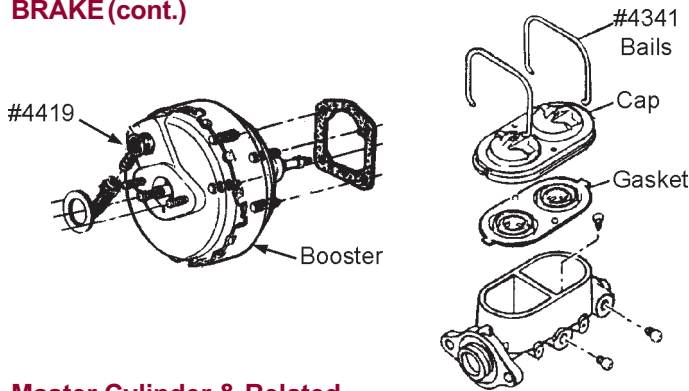
| | | | |
|------|-------|---|-----------|
| 4485 | 68 | Brake & Fuel Line Clip Set | 12.50 set |
| 6215 | 68 | Brake & Fuel Line Clip Set w/o Fuel Return Line | 12.50 set |
| 4486 | 69-72 | Brake & Fuel Line Clip Set | 18.00 set |
| 6216 | 69-72 | Brake & Fuel Line Clip Set w/o Fuel Return Line | 18.00 set |
| 4487 | 73 | Brake & Fuel Line Clip Set | 12.50 set |
| 4488 | 74-82 | Brake & Fuel Line Clip Set | 25.00 set |
| 4489 | 68 | Front Crossover Line Clip | 2.50 pr |
| 6237 | 69-82 | Brake & Gas Line Clip Bolts (5 pc) | 4.50 set |

Brake Line Blocks & Brake Hoses

| | | | |
|--------|-------|---|--------------|
| 9032 | 68-82 | Brake Hose Kit (4 hoses, 6 clips and 2 washers) | 44.95 set |
| 4389 | 68-82 | Front Rubber Brake Hose (2 req) | 12.00 ea |
| 4390 | 68-82 | Rear Rubber Brake Hose (2 req) | 12.00 ea |
| 4437 | 68-82 | Braided Stainless Brake Hose Set (4) | 75.00 set ND |
| 4435 | 68-82 | Copper Washer for Brake Hose | 1.00 ea |
| 4420 | 68-82 | "U" Clip Brake Hose & Brass Block (6 req) | 1.00 ea |
| 10035 | 68-82 | "U" Clip Brake Hose & Brass Block (6 req) Stainless Steel | 1.50 ea |
| 4429 | 68 | Brake Line Brass Connector Block with or without Power Brake - Front | 22.00 ea |
| 4433 | 68-82 | Brake Line Brass Connector Block Rear - Lt | 16.00 ea |
| 4434 | 68-82 | Brake Line Brass Connector Block Rear - Rt | 12.00 ea |
| 4365 | 68 | Brake Line Distribution/Proportioning Valve with low fluid warning switch (exact steel repro of the original) | 92.50 ea |
| 4375 | 68 | Brake Proportioning Valve Bracket | 27.50 ea |
| 10120 | 69 | Brake Line Proportioning Valve - Rebuilt CORE CHARGE (\$150.00) | 100.00 ea |
| 10577 | 69 | Brake Line Proportioning Valve - NEW | 129.00 ea LD |
| 10121 | 70-73 | Brake Line Proportioning Valve - Rebuilt CORE CHARGE (\$150.00) | 100.00 ea |
| 10578A | 70-73 | Brake Line Proportioning Valve - NEW | 89.95 ea ND |
| 4328 | 74-77 | Brake Line Proportioning Valve - NEW | 83.50 ea |
| 4366 | 78-82 | Brake Line Proportioning Valve - NEW | 109.00 ea |



BRAKE (cont.)



Master Cylinder & Related

| | | | |
|------|-------|---|-----------|
| 4307 | 68-76 | Dual Master Cylinder Std. Brakes | 75.00 ea |
| 4308 | 68-76 | Dual Master Cylinder w/P.B. | 75.00 ea |
| 4301 | 77-82 | Dual Master Cylinder w/P.B. | 75.00 ea |
| 4316 | 68-76 | Master Cylinder Rebuild Kit w/Std. | 29.00 kit |
| 4317 | 68-76 | Master Cylinder Rebuild Kit w/P.B. | 29.00 kit |
| 4333 | 77-82 | Master Cylinder Rebuild Kit w/P.B. | 29.00 kit |
| 4368 | 68-82 | Master Cyl. Cap, Bails and Gasket (vented) CORRECT for 68-74 | 31.00 kit |
| 4357 | 68-82 | Master Cyl. Cap w/Bails CHROME | 19.95 ea |
| 4352 | 68-82 | Master Cyl. Cap Gasket | 6.00 ea |
| 4334 | 68-82 | Master Cyl. Cap - With Gasket - Repl | 12.50 ea |
| 4341 | 68-82 | Master Cyl. Cap Bails | 6.00 pr |
| 4490 | 68-77 | Master Cyl Rod Boot w/o Pwr Brakes | 7.50 ea |
| 4350 | 68-76 | Master Cylinder to Firewall Gasket without Power Brakes | 2.50 ea |

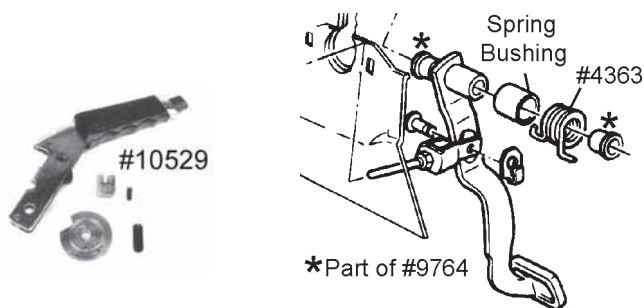
Power Brake Booster & Related

| | | | |
|-------|-------|--|-----------|
| 4343 | 68-76 | Power Brake Booster - NEW | 159.00 ea |
| 4359 | 77-82 | Power Brake Booster - NEW | 159.00 ea |
| 4419 | 68-82 | Check Valve w/Grommet for Power Brake Booster | 9.50 ea |
| 6210 | 70 | P.B. Booster Vacuum Metal Tube w/Q-Jet | 19.00 ea |
| 6211 | 71-73 | P.B. Booster Vacuum Metal Tube w/Q-Jet | 18.00 ea |
| 6212 | 70-72 | P.B. Booster Vacuum Metal Tube w/LT-1 | 18.00 ea |
| 10584 | 69-75 | Stop Lamp Switch Striker (w/Pwr Brakes) | 13.50 ea |
| 6332 | 68-77 | Power Brake Hose w/Clips | 8.00 set |
| 10585 | 68-82 | Power Brake Booster Gasket to Firewall | 6.50 ea |
| 10586 | 68-82 | Brake Pedal Clevis, Clevis Pin, Clevis Retainer and Washer | 16.00 set |

Power Brake Conversion Kit

Kits include New Power Brake Booster, New Master Cylinder, Brake Lines, Hose, Intake Fitting, Brake Clevis Set and Stop Lamp Switch Striker.

| | | | |
|-------|-------|----------------------------|---------------|
| 10587 | 68 | Power Brake Conversion Kit | 289.00 kit ND |
| 10588 | 69 | Power Brake Conversion Kit | 289.00 kit ND |
| 10589 | 70-73 | Power Brake Conversion Kit | 289.00 kit ND |

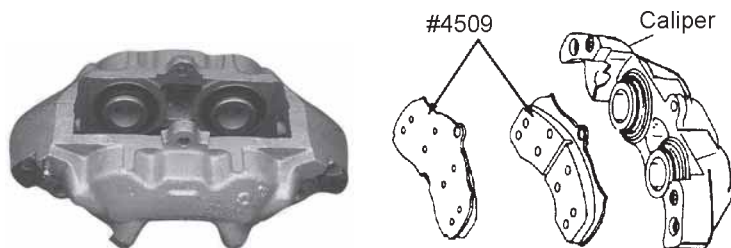


Parking Brake



| | | | |
|-------|--------|--|--------------|
| 10288 | 68-82 | Parking Brake Cable Kit - includes Front and Rear Cables, Clips (4) and Guides (2) | 64.95 set ND |
| 4521 | 68-82 | Parking Brake Handle & Lever Assy - Replacement Grip | 92.00 ea |
| 10529 | 68-76E | Parking Brake Handle Only - Correct | 149.00 ea |
| 4409 | 68-82 | Front Parking Brake Cable - US Made | 21.00 ea |
| 4401 | 68-82 | Rear Parking Brake Cable - Stainless | 49.00 ea |
| 10053 | 68-82 | Rear Parking Brake Cable Boots w/Ribs (2 boots) | 22.00 pr |
| 4498 | 68-82 | Front Pkg. Brake Cable Nylon Pulley | 11.00 ea |
| 4914 | 68-82 | Front Pkg. Brake Pulley Bearing | 3.50 ea |
| 4915 | 68-82 | Pkg Brake Pulley Bolt, Washer & Nut Set | 1.75 set |
| 4314 | 68-82 | Frt Pkg Brake Pulley Brkt (weld to frame) | 26.00 ea |
| 4411 | 68-82 | Parking Brake "Mickey Mouse" Cable Clip Stainless Steel | 1.50 ea |
| 4412 | 68-82 | Parking Brake "Mickey Mouse" Cable Clip Black Oxide | 1.00 ea |
| 4421 | 68-82 | "U" Clip Parking Brake Cable | 1.60 ea |
| 4413 | 68-82 | Cable Guide on Trailing Arm | 1.50 ea |
| 4449 | 68-82 | Parking Brake Return Spring | 5.50 ea |
| 4414 | 68-82 | Parking Brake Cable Equalizer | 4.00 ea |
| 4504 | 68-82 | Cable Brackets on Trailing Arm | 13.00 pr |
| 4506 | 68-72 | Rear Pkg Brake Cable on Frame Brackets Weld On | 17.00 pr |
| 4340 | 73-82 | Rear Pkg Brake Cable on Frame Brkt - Bolt On | 8.00 ea |
| 4520 | 68-82 | Parking Brake Shoes (2 Wheels) | 47.00 set |
| 4525 | 68-82 | Parking Brake Shoes - Stainless | 85.00 set |
| 4519 | 68-82 | Stainless Steel Parking Brake Kit (does both sides) | 57.00 kit |
| 4510 | 65-82 | Parking Brake Tool - allows installation of brake shoes & rebuilding kit much easier | 7.95 ea |
| 4363 | 68-82 | Brake Pedal Return Spring | 5.50 ea |
| 9764 | 68-82 | Brake & Clutch Pedal Pivot Bushings (4) | 6.00 set |

68-82 STAINLESS STEEL SLEEVED CALIPERS



- * Stainless Steel Sleeves
- * Fully Assembled & Pressure Tested
- * New Delco Pistons
- * New Seals
- * New Bleeder Screws & Pad Pins
- * New S.S. Springs
- * Lifetime Manufacturer's Warranty (except Seals)

NEW CALIPERS

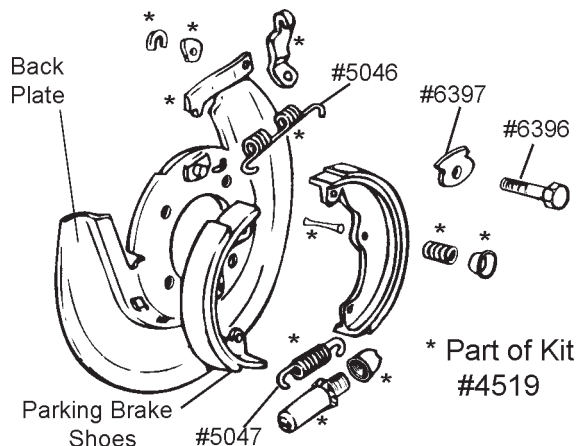
New Brake Calipers with Stainless Steel Sleeves
 - No Core Required
 - Brand New Castings approved and licensed by GM with the Delco Moraine Logo

| | | |
|-------|-------|---|
| 10115 | 68-82 | Full Set of (4) New Brake Calipers, Brake Pads and One Quart of Silicone Fluid . 499.00 set ND |
| 10116 | 68-82 | New Front Caliper - Lt 139.00 ea |
| 10117 | 68-82 | New Front Caliper - Rt 139.00 ea |
| 10118 | 68-82 | New Rear Caliper - Lt 139.00 ea |
| 10119 | 68-82 | New Rear Caliper - Rt 139.00 ea |

REBUILT CALIPERS

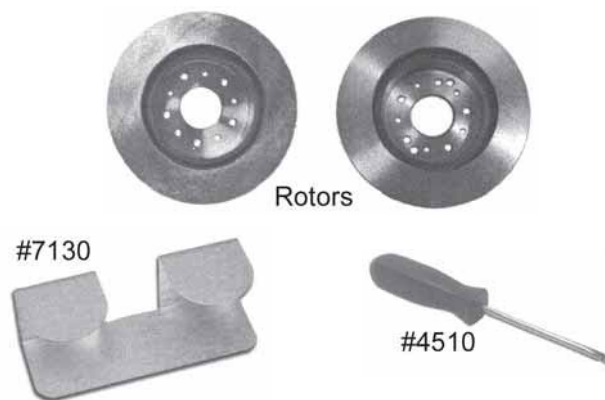
Rebuilt Brake Calipers with Stainless Steel Sleeves
 - we only use original Delco Moraine castings
 - a \$50.00 CORE CHARGE per caliper is added to price and is refunded upon return of rebuildable cores

| | | |
|------|-------|---|
| 4499 | 68-82 | Full Set of (4) Rebuilt Brake Calipers, Brake Pads and One Quart of Silicone Fluid 359.00 set ND |
| 4500 | 68-82 | Rebuilt Front Caliper - Lt 89.00 ea |
| 4501 | 68-82 | Rebuilt Front Caliper - Rt 89.00 ea |
| 4502 | 68-82 | Rebuilt Rear Caliper - Lt 89.00 ea |
| 4503 | 68-82 | Rebuilt Rear Caliper - Rt 89.00 ea |
| 9032 | 68-82 | Brake Hose Kit (4 hoses, 6 clips and 2 washers) 44.95 set |
| 4509 | 68-82 | Disc Brake Pads (2 Wheels) 15.00 set |
| 7130 | 68-82 | Brake Pad Installation Clip Tool (set of 2) 12.95 set |
| 4518 | ALL | Silicone Brake Fluid - Quart 17.95 Qt |
| 4524 | 68-82 | Caliper Mounting Bolts w/lockwashers (8 bolts & 8 lockwashers) 9.00 set |



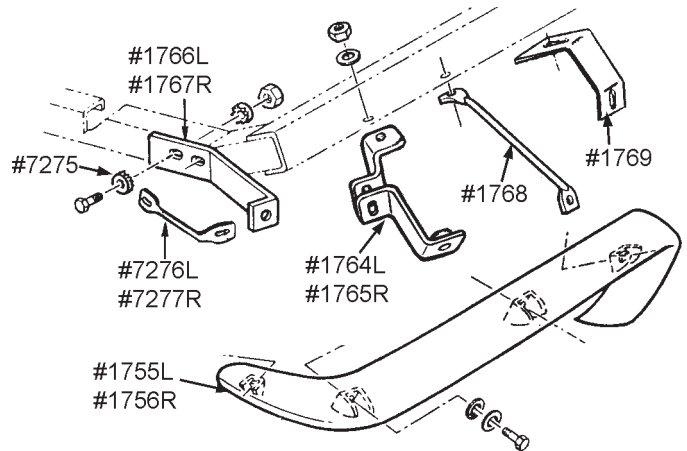
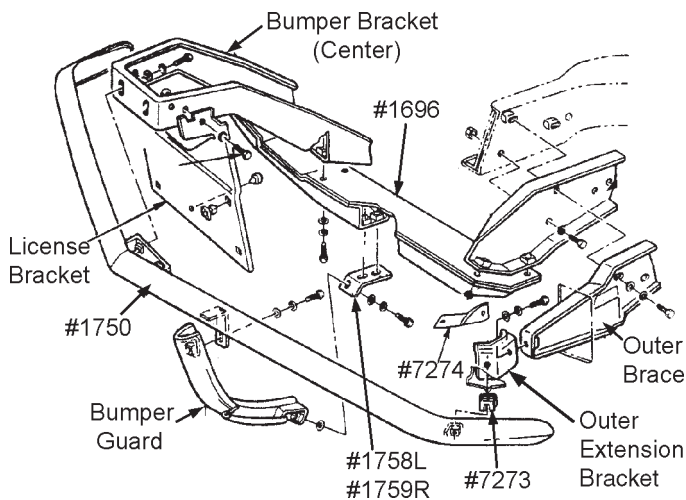
DISC BRAKE and PARKING BRAKE COMPONENTS

| | | |
|------|-------|--|
| 4509 | 68-82 | Disc Brake Pads (2 Wheels) 15.00 set |
| 7130 | 68-82 | Brake Pad Installation Clip Tool (set of 2) 12.95 set |
| 4518 | ALL | Silicone Brake Fluid - Quart 17.95 Qt |
| 4524 | 68-82 | Caliper Mounting Bolts w/lockwashers (8 bolts and 8 lockwashers) 9.00 set |
| 4515 | 68-82 | Front Caliper Seal Kit 13.00 kit |
| 4516 | 68-82 | Rear Caliper Seal Kit 13.00 kit |
| 4511 | 68-82 | Front Caliper Piston 6.50 ea |
| 4512 | 68-82 | Rear Caliper Piston 6.50 ea |
| 4513 | 68-82 | Front Caliper Spring 2.00 ea |
| 4514 | 68-82 | Rear Caliper Spring 2.00 ea |
| 4517 | 68-82 | Bleeder Screw 1.50 ea |
| 4530 | 68-82 | Caliper Brake Pad Pin - Steel 2.00 ea |
| 4531 | 68-82 | Caliper Brake Pad Pin - Stainless 9.00 pr |
| 4519 | 68-82 | Stainless Steel Parking Brake Kit (does both sides) 57.00 kit |
| 4510 | 68-82 | Parking Brake Tool - allows installation of brake shoes & rebuilding kit much easier . 7.95 ea |
| 5046 | 68-82 | Upper Parking Brake Shoe Spring - long 4.75 ea |
| 5047 | 68-82 | Lower Parking Brake Shoe Spring - short 4.75 ea |
| 4520 | 68-82 | Parking Brake Shoes (2 Wheels) 47.00 set |
| 4525 | 68-82 | Parking Brake Shoes - Stainless 85.00 set |
| 6396 | 68-82 | Parking Brake Bolt 6.00 ea |
| 6397 | 68-82 | Parking Brake Bolt Lock 3.00 ea |
| 4123 | 68-82 | Frt Brake Rotor Less Hub 59.00 ea |
| 4278 | 68-82 | Rear Brake Rotor 59.00 ea |



Front and Rear Backplates
 See Suspension Section

BUMPERS



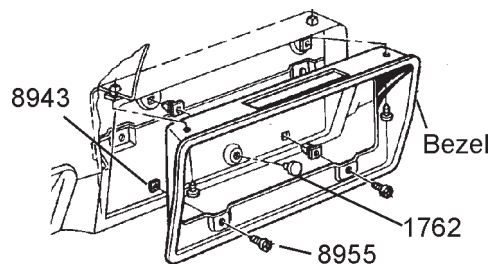
68-72 Front

| | | | |
|-------|-------|--|-------------|
| 1750 | 68-72 | Front Bumper - U.S. Made | 389.00 ea |
| 10340 | 68-69 | Front Bumper - Imported..... | 315.00 ea |
| 10341 | 70-72 | Front Bumper - Imported..... | 315.00 ea |
| 8940 | 68-72 | Front Bumper Bolt Mounting Kit | 18.00 set |
| 1751 | 68-69 | Front Bumper Guard - Lt | 139.00 ea |
| 1752 | 68-69 | Front Bumper Guard - Rt | 139.00 ea |
| 1753 | 70-72 | Front Bumper Guard - Lt | 139.00 ea |
| 1754 | 70-72 | Front Bumper Guard - Rt | 139.00 ea |
| 8896 | 68-72 | Front Bumper Guard Attaching Bolt Kit (4 bolts, 4 washers, 4 lockwashers) | 3.50 kit |
| | | | |
| 10110 | 68 | Front Crossmember | 189.00 ea |
| 1696 | 69-72 | Front Crossmember (68 Repl) | 169.00 ea |
| 1758 | 68-72 | Front Bumper Guard Crossmember Extension Bracket - Lt | 16.00 ea |
| 1759 | 68-72 | Front Bumper Guard Crossmember Extension Bracket - Rt | 16.00 ea |
| 7293 | 68 | Frt Bumper Outer Brace - Lt | .DISC |
| 7294 | 68 | Frt Bumper Outer Brace - Rt | .DISC |
| 1738 | 69 | Front Bumper Outer Brace - Lt | .DISC |
| 1739 | 69 | Front Bumper Outer Brace - Rt | .DISC |
| 1748 | 70-72 | Front Bumper Outer Brace - Lt | 62.95 ea ND |
| 1749 | 70-72 | Front Bumper Outer Brace - Rt | 62.95 ea ND |
| 9324 | 68-69 | Ext Bracket Front Bumper Outer, Lt | 15.00 ea |
| 9325 | 68-69 | Ext Bracket Front Bumper Outer, Rt | 15.00 ea |
| 1757 | 70-72 | Front Bumper Outer Extension Brkt- Lt orRt | 10.00 ea |
| 7273 | 68-72 | Front Bumper "U" Shaped Shim | 1.00 ea |
| 7274 | 68-72 | Corner Reinforcement Brackets for Front Bumper | 22.00 pr |
| 7275 | 68-73 | Bumper Bracket to Frame Washers NOS Toothed Type | 2.00 ea |
| | | | |
| 2707 | 68-72 | Front Bumper Brace Seal | 8.50 pr |
| 1771 | 68-72 | Front License Bracket | 16.00 ea |
| 1714 | 68-72 | Front License Bracket Mounting Bolts | 3.00 set |
| 1761 | 68-79 | Front License Plate Rubber Bumper - NOS | 3.00 ea |
| 1716 | 68-79 | Front License Plate Mounting Screw, Nut and Bumper Set | 3.50 set |
| 1938 | 68-82 | License Plate Stainless Steel Frame | 15.95 ea |

See Accessories for Corvette License Plates

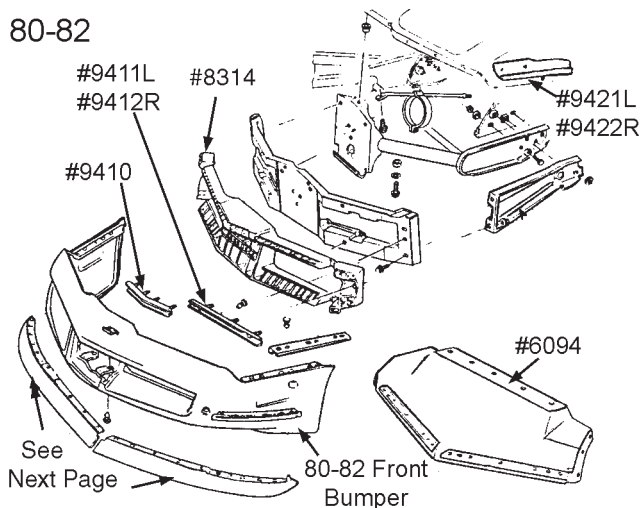
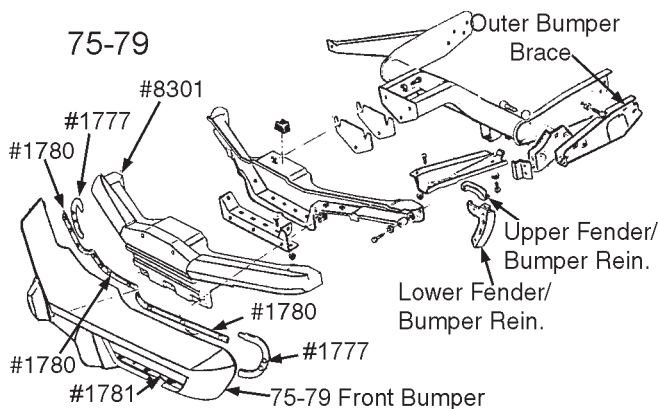
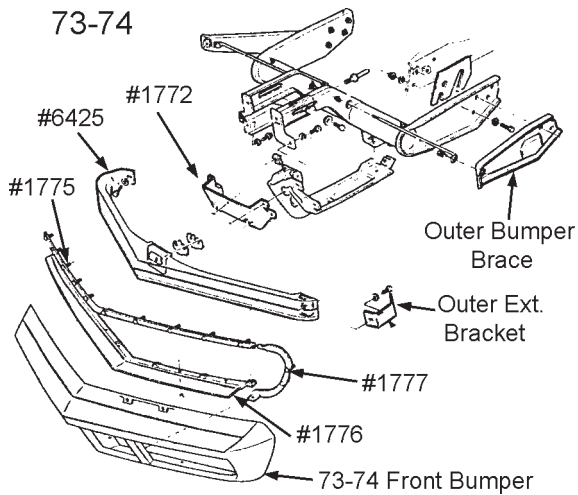
68-73 Rear

| | | | |
|-------|-------|---|--------------|
| 1755 | 68-73 | Rear Bumper - Lt .. (U.S Made) | 389.00 ea |
| 1756 | 68-73 | Rear Bumper - Rt.. (U.S. Made) | 389.00 ea |
| 10278 | 68-73 | Rear Bumpers - PAIR (imported) | 379.00 pr |
| 8941 | 68-73 | Rear Bumper Bolt Set | 18.00 set |
| 1764 | 68-73 | Rear Inner Bumper Bracket (2 pieces) - Left | 33.00 ea |
| 1765 | 68-73 | Rear Inner Bumper Bracket (2 pieces) - Right | 33.00 ea |
| 1766 | 68-73 | Rear Outer Bumper Bracket - Lt | 22.00 ea |
| 1767 | 68-73 | Rear Outer Bumper Bracket - Rt | 22.00 ea |
| 1768 | 68-73 | Rear Bumper Brace Rod (2 req.) | 14.00 ea |
| 1769 | 68-73 | Rear Frame to License Plate Mounting Bracket (2 req.) | 14.50 ea |
| 7276 | 72-73 | Rear Outer Bumper Brace Rod - Lt | 38.00 ea ND |
| 7277 | 72-73 | Rear Outer Bumper Brace Rod - Rt | 38.00 ea ND |
| 7275 | 68-73 | Bumper Bracket to Frame Serrated Washer NOS Toothed Type | 2.00 ea |
| 2418 | 68-73 | Bezel - for Rear License Plate - GM | 150.00 ea ND |
| 2428 | 68-73 | Bezel - for Rear License Plate - Repro | 84.95 ea |
| 8955 | 68-73 | Rear License Bezel Screws (4) | 2.00 set |
| 8943 | 68-73 | Rear License Bezel Mounting Nut (4) | 2.00 set |
| 1762 | 68-73 | Rear License Plate Rubber Bumper NOS ... | 4.50 ea |
| 1706 | 68-73 | Rear License Plate Mount Kit | 4.00 set |



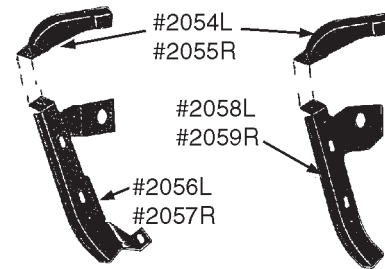
10% Discount Offer

See Back of ORDER FORM



73-82 Urethane Front Bumpers & Retainers

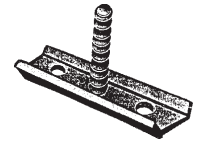
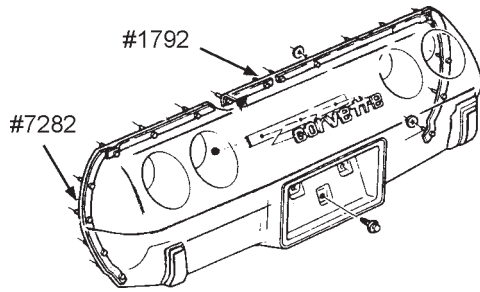
| | | | |
|------|-------|---|--------------|
| 1774 | 73-74 | Urethane Front Bumper Cover - GM | 599.00 ea ND |
| 1775 | 73-74 | Urethane Front Bumper Upper Retainer | 32.00 ea |
| 1776 | 73-74 | Urethane Front Bumper Lower Retainer | 57.50 ea |
| 1777 | 73-79 | Urethane Front Bumper Side Retainers | 42.00 pr |
| 1778 | 75-79 | Urethane Front Bumper Cover - GM | 559.00 ea ND |
| 1780 | 75-79 | Urethane Front Bumper Upper Retainers (3 pcs)..... | 62.95 set |
| 1781 | 75-79 | Urethane Front Bumper Lower Retainer | 45.00 ea |
| 1777 | 73-79 | Urethane Front Bumper Side Retainers | 42.00 pr |
| 1789 | 80-82 | Urethane Front Bumper Cover.....(T) | 499.00 ea |
| 6094 | 80-82 | Urethane Frt Lower Valance(air deflector) Panel | 235.00 ea |
| 9410 | 80-82 | Frt Upper Center Bumper Retainer w/nuts | 21.00 ea |
| 9411 | 80-82 | Frt Upper Outer Bumper Retainer w/nuts - Lt | 21.00 ea |
| 9412 | 80-82 | Frt Upper Outer Bumper Retainer w/nuts - Rt | 21.00 ea |
| 9421 | 80-82 | Frt Bumper Side/End Retainer w/nuts - Lt | 21.00 ea |
| 9422 | 80-82 | Frt Bumper Side/End Retainer w/nuts - Rt | 21.00 ea |
| 8301 | 75-79 | Front Bumper Energy/Absorb Bar Honeycomb | 199.00 ea LD |
| 8314 | 80-82 | Front Bumper Energy/Absorb Bar Honeycomb | 199.00 ea LD |
| 6425 | 73-74 | Hood Surround Reinforcement | 109.00 ea |



73-82 Front Bumper Braces, Reinforcements, License and Related

| | | | |
|------|-------|--|-------------|
| 8302 | 73-74 | Front Outer Bumper Brace - Lt | 69.95 ea LD |
| 8303 | 73-74 | Front Outer Bumper Brace - Rt | 69.95 ea LD |
| 8315 | 73-74 | Frt Bumper Outer Extension Bracket | 10.00 ea |
| 8304 | 75 | Front Outer Bumper Brace - Lt | 69.95 ea LD |
| 8305 | 75 | Front Outer Bumper Brace - Rt | 69.95 ea LD |
| 8312 | 76-79 | Front Outer Bumper Brace - Lt | 69.95 ea LD |
| 8313 | 76-79 | Front Outer Bumper Brace - Rt | 69.95 ea LD |
| 9338 | 73-79 | Front Bumper Brace Seals | 7.50 pr |
| 2054 | 73-79 | Frt Upper Fender/Bumper Rein - Lt | 10.00 ea |
| 2055 | 73-79 | Frt Upper Fender/Bumper Rein - Rt | 10.00 ea |
| 2056 | 73-74 | Frt Lower Fender/Bumper Rein - Lt | 20.00 ea |
| 2057 | 73-74 | Frt Lower Fender/Bumper Rein - Rt | 20.00 ea |
| 2058 | 75-79 | Frt Lower Fender/Bumper Rein - Lt | 20.00 ea |
| 2059 | 75-79 | Frt Lower Fender/Bumper Rein - Rt | 20.00 ea |
| 1772 | 73-74 | Front License Bracket | 17.00 ea |
| 1773 | 75-79 | Front License Bracket.....USED/Recon | 28.00 ea ND |
| 1761 | 73-79 | Front License Plate Rubber Bumper - NOS | 3.00 ea |
| 1716 | 73-79 | Front License Plate Mounting Screw, Nut and Bumper Set | 3.50 set |
| 1938 | 68-82 | License Plate Stainless Steel Frame | 15.95 ea |

TRU-FLEX BUMPERS
See Next Page

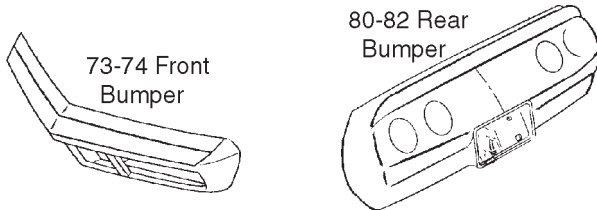
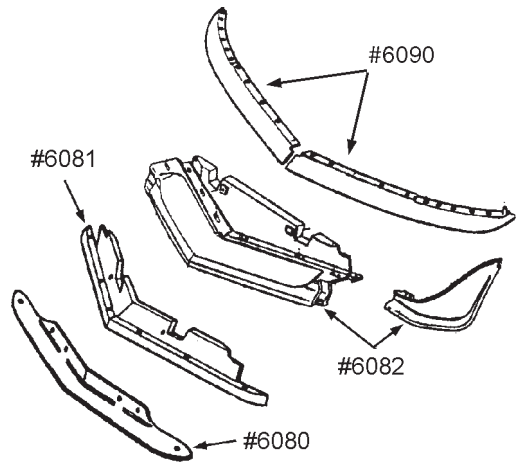


Fiberglass Bumper Retainers - S.S.

| | | | |
|------|-------|--|-----------|
| 2362 | 73-74 | Fiberglass Front Bumper S.S. Retainers with Nuts and Washers (14 pc set) | 30.00 set |
| 2363 | 75-79 | Fiberglass Front Bumper S.S. Retainers with Nuts and Washers (14 pc set) | 30.00 set |
| 2364 | 80-82 | Fiberglass Front Bumper S.S. Retainers with Nuts and Washers (16 pc set) | 30.00 set |
| 2365 | 74-82 | Fiberglass Rear Bumper S.S. Retainers with Nuts and Washers (18 pc set) | 30.00 set |

74-82 Rear Urethane Bumpers & Retainers

| | | | |
|-------|-------|--|-----------|
| 1791 | 75-79 | Urethane Rear Bumper Cover (Does not have indent for '75 rear letters, you would have to use 76-79 rear emblem). | 495.00 ea |
| 1792 | 74-79 | Urethane Rear Bumper Upper Retainers .. | 43.00 pr |
| 7282 | 74-79 | Urethane Rear Bumper Side Retainers | 43.00 pr |
| 1797 | 80-82 | Urethane Rear Bumper Cover. | 495.00 ea |
| 10452 | 80-82 | Rear Bumper Impact Cushion - Lt | 49.99 ea |
| 10453 | 80-82 | Rear Bumper Impact Cushion - Rt | 49.99 ea |
| 7283 | 74 | Rear Bumper Brace - near License Plate area | 34.00 ea |
| 1938 | 68-82 | License Plate Stainless Steel Frame | 15.95 ea |
| 1763 | 74-79 | Rear License Plate Mount Kit | 4.00 set |



73-82 TRU-FLEX Bumpers and Retainers

FlexyGlass (Tru-Flex) is a new material that is both flexible & durable. FlexyGlass is produced using a revolutionary new resin by Ashland Chemical & fiberglass mat from Owens Corning Fiberglass. The materials are formulated from the beginning to be flexible & tough not just a common resin. Combined, these elements are 70% more flexible than regular fiberglass. These bumpers are one of our biggest sellers!!

Spoilers

| | | | |
|------|-------|---|------------|
| 6080 | 68-72 | Front Stock Spoiler (Air Dam). | 39.95 ea |
| 6081 | 73-79 | Front Stock Spoiler (Air Dam).. | 39.95 ea |
| 8942 | 68-72 | Front Spoiler Bolt & Nut Kit | 6.50 kit |
| 8986 | 73-79 | Front Spoiler Screw & J-Nut Kit | 8.50 kit |
| 6082 | 73-79 | Pace Car Front Spoiler - 3 pc Urethane Rubber | 219.00 kit |
| 6090 | 80-82 | Frnt Stock Spoilers (Air Dam Ext) | 79.95 pr |
| 6093 | 80-82 | Frnt Stock Spoiler Ext Retainers | 34.00 ea |
| 6094 | 80-82 | Frnt Lower Radiator Air Deflector - Urethane. | 235.00 ea |

Sale Prices

| | | | |
|--|--------|--|--------------|
| 6400 | 73-74 | Tru-Flex Front Bumper...(List \$319) | 309.00 ea ND |
| 6401 | 75-79 | Tru-Flex Front Bumper...(List \$319) | 299.00 ea ND |
| 6402 | 80-82 | Tru-Flex Front Bumper...(List \$339) (Truck Shipped).....we recommend urethane #1789 | |
| 6403 | 74 | Tru-Flex Rear Bumper - this is a one piece bumper with a seam to give it a two piece look- great fit!..(List \$359) | 319.00 ea ND |
| 6404 | 75 | Tru-Flex Rear Bumper - has indentations for rear emblem letters...(List \$359) | 319.00 ea ND |
| 6407 | 76E | Tru-Flex Rear Bumper...(List \$359) | 319.00 ea ND |
| Note: The difference between 76E and 76L is where the emblem fits.76 early has an indentation for 6 1/4" long emblem, 76 late has an 8 1/2" long emblem and no indentation | | | |
| 6408 | 76L-79 | Tru-Flex Rear Bumper...(List \$359) | 319.00 ea ND |
| 6411 | 80-82 | Tru-Flex Rear Bumper...(List \$359) | 319.00 ea ND |



TRU-FLEX BUMPERS

One of our biggest sellers!

You don't need to use the original urethane bumper retainers on the Tru-Flex Bumpers. All you need are the Fiberglass Bumper Retainers - See next column.



CABLES - SPEEDO & TACH

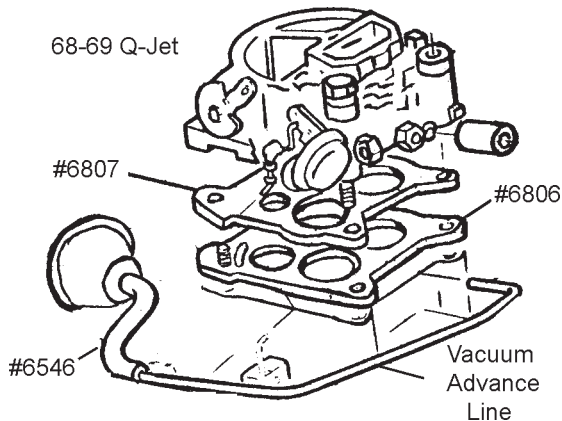
| | | | |
|-------|-------|---|----------|
| 1508 | 68 | Tach Cable | 17.95 ea |
| 1509 | 69-74 | Tach Cable | 16.95 ea |
| 1534 | 68 | Speedometer Cable, 4sp & Auto | 20.95 ea |
| 1541 | 69-77 | Speedometer Cable, 4sp (1 piece) | 21.95 ea |
| 1524 | 69-77 | Speedometer Cable, Auto (1 piece) | 21.95 ea |
| 10388 | 77-82 | Speedo Cable Upper w/Cruise | 16.95 ea |
| 1990 | 77-82 | Speedo Cable Lower w/Cruise | 20.95 ea |
| 1991 | 78-82 | Speedo Cable w/o Cruise, 4sp | 20.95 ea |
| 1992 | 78-82 | Speedo Cable w/o Cruise, Auto | 21.95 ea |
| 1507 | 68-77 | Tach or Speedo Cable Repair Kit | 10.00 ea |
| 7443 | 68-74 | Firewall Grommet - 4 Hole (for Tach Cable, Oil Line, etc.) | 6.00 ea |
| 7413 | 68-82 | Speedo/Tach Cable Grommet (1 hole) Repl | 4.00 ea |
| 7428 | 68-74 | Speedo Cable Grommet (1 Hole) -correct | 10.00 ea |
| 1989 | 68-74 | Tach Cable Adaptor 90 Degree - connects to back of distributor to prevent tach cable from binding or breaking | 49.00 ea |

CARBURETOR

Carburetor - Holley (NEW)

The following Holley Carburetors are NEW.
Please Call For Current Price When Ordering.

| | | | |
|------|-------|---|--------------|
| 6730 | 69 | Holley Carb #4055, 3 x 2 Center, Manual | 619.00 ea ND |
| 6785 | 68-69 | Holley Carb #3659, 3 x 2 End, All | 419.00 ea ND |



Carburetor Rebuild Kits

| | | | |
|------|-------|---|-----------|
| 6818 | 68-69 | Carb Kit - Holley 68-69 400-435HP (Carb #3659, #4055, #4056) | 29.00 kit |
| 6812 | 70-72 | Carb Kit - Holley Fits the following Carbs #4555, #4489, #4800, #4801, #4803, #6238 and #6239 | 36.00 kit |
| 6824 | 71 | Holley LS-6 #4812..... | DISC |
| 6828 | 68-69 | Roch. Q-Jet All | 39.00 ea |
| 6829 | 70 | Roch. Q-Jet All 350 | 25.00 ea |
| 6833 | 71-72 | Roch. Q-Jet All 350 | 29.00 ea |
| 6834 | 71-72 | Roch. Q-Jet All 454 | 32.00 ea |
| 6835 | 73-74 | Roch. Q-Jet All Engines | 35.00 ea |
| 6836 | 75-79 | Roch. Q-Jet All Engines | 33.00 ea |
| 6837 | 80 | Roch. Q-Jet All Engines | 32.00 ea |
| 6838 | 81 | Roch. Q-Jet All Engines | 48.50 ea |
| 6839 | 68-74 | Float - for All Roch. Q-Jet | 16.50 ea |
| 6843 | 75-76 | Float - for All Roch. Q-Jet | 16.00 ea |
| 6844 | 77-80 | Float - for All Roch. Q-Jet | 15.00 ea |
| 6847 | 81 | Float - for All Roch. Q-Jet | 16.50 ea |

Carb. Gaskets, Studs and Mounting Hardware

| | | | |
|-------|-------|--|-----------|
| 6806 | 68-69 | Carb to Intake Manifold Gasket - w/Q-Jet .. | 7.00 ea |
| 6807 | 68-69 | Carb to Intake Manifold Baffle - w/Q-Jet... | 7.00 ea |
| 6808 | 70 | Carb to Intake Manifold Gasket w/Q-Jet 300, 350 and 390 HP | 12.00 ea |
| 6779 | 68-70 | Carb to Intake Manifold Gasket w/Holley Fits 68-69 L-88 or 70 LT-1 | 8.00 ea |
| 1099 | 68-69 | Carb to Intake Manifold Gasket w/3 x 2 (3 pcs) | 11.00 set |
| 1098 | 68-69 | Carb to Air Cleaner Gasket w/3 x 2 (3 pcs) | 8.00 set |
| 1097 | 68-81 | Carb to Air Cleaner Gasket w/Holley or Q-Jet | 3.00 ea |
| 6755 | 68-69 | Carb Mounting Studs & Nut Set w/3 X 2 ... | 13.00 set |
| 10332 | 68-74 | Carb Bolt, Stud and Nut Set - w/Q-Jet (6 pcs) | 3.50 set |
| 10333 | 75-79 | Carb Bolt Set w/Q-Jet (4 pcs) | 3.50 set |

Vacuum Advance Line - Steel

| | | | |
|------|-------|--|----------|
| 6539 | 68-69 | Vac. Adv. Line 427/400-435 HP | 14.00 ea |
| 6545 | 68-69 | Vac. Adv. Line w/300, 350, 390 HP | 14.00 ea |
| 6527 | 68-74 | Vac. Adv. Line Clip on Intake | 4.00 ea |
| 6546 | 68-74 | Vacuum Adv.Line Hose w/White Stripe exc. 3 x 2 | 3.00 ea |

Vacuum Advance Line - Stainless

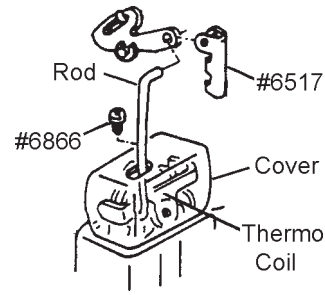
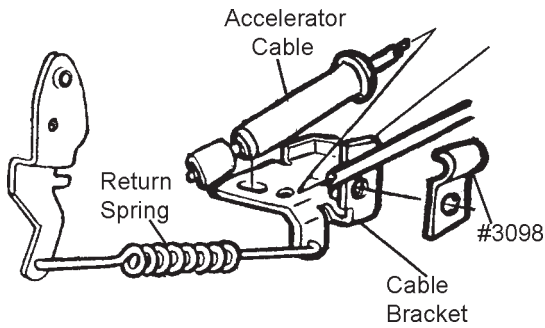
| | | | |
|------|-------|--|----------|
| 8439 | 68-69 | Stainless Line 427/400-435 HP | 17.00 ea |
| 8445 | 68-69 | Stainless Line w/300, 350, 390 HP | 18.00 ea |
| 6527 | 68-74 | Vac. Adv. Line Clip on Intake | 4.00 ea |
| 6546 | 68-74 | Vacuum Adv.Line Hose w/White Stripe exc. 3 x 2 | 3.00 ea |

Vacuum Related

| | | | |
|------|-------|---------------------------------------|----------|
| 6721 | 68-69 | Vacuum Diaphragm w/3 x 2 | 22.00 ea |
| 6722 | 68-69 | Vacuum Hose and "T" Kit w/3 x 2 | 9.00 ea |

Clean Air Tubes

| | | | |
|------|-------|--|----------|
| 6544 | 75-80 | Clean Air Tube - Manifold to Carb (Front Air) | 15.00 ea |
| 6547 | 75-80 | Carb Choke Tube - Manifold to Carb (Rear Heat) | 8.00 ea |

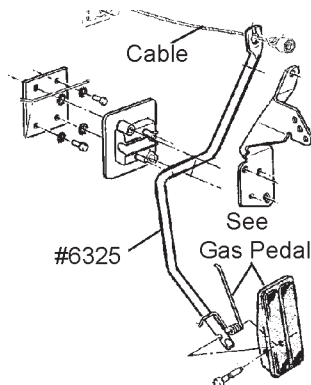
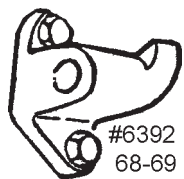


Carburetor Linkage & Related

| | | |
|------|--------|---|
| 1277 | 68-69 | Carb Linkage Kit 3 x 2 Kit Contains: 2 rods, 2 rod ends, 2 teflon washers, 1 teflon sleeve, 2 clips, 1 special bolt and lock nut 47.00 kit |
| 1275 | 68-69 | Carb Linkage Kit 3 x 2 - same as #1277 above but contains 2 correct rod end clips to ensure proper linkage to manifold clearance 59.00 kit |
| 3093 | 68-73 | Accelerator Cable, all 68-73 except 2nd design 1969 w/3X2 w/ orange sleeve. Can be used on 1969 w/3X2 after May 28, 1969, but the original cable was slightly shorter and had an orange sleeve 28.50 ea |
| 3095 | 74 | Accelerator Cable CALL |
| 3096 | 75-81 | Accelerator Cable CALL |
| 6326 | 68-73 | Accel Cable Ball Stud w/nut - attaches to Q-Jet Carb lever 5.00 ea |
| 3034 | 68-73 | Plastic Retainer - Accel. Cable to Lever 4.50 ea |
| 3044 | 75-81 | Plastic Retainer - Accel. Cable to Lever 3.50 ea |
| 6392 | 68-69 | Accel Pedal Pivot Support (mtg block) 49.00 ea |
| 6325 | 69L-76 | Accel Pedal Rod (1 piece design) DISC |
| 3069 | 68-69 | Accel. Cable Bracket & Clamp w/3 x 2 31.00 ea |
| 3097 | 68-72 | Accel. Cable Bracket w/Holley Carb CALL |
| 3033 | 68-73 | Accel. Cable Bracket w/Q-Jet - Fits all 73 and 350 or 454 exc. SpHiPer 52.25 ea |
| 3098 | 68-73 | Accel. Cable Bracket Clamp w/Bolt 5.00 ea |
| 8491 | 68 | Accel. Return Spring 427 w/3 x 2 (yellow) 10.00 ea |
| 8492 | 69 | Accel. Return Spring 427 w/3 x 2 (orange) 10.00 ea |
| 7777 | 69 | Accel Return Spring Bracket w/3X2 - mounts by LH rear carb stud) 9.50 ea |
| 8493 | 68-72 | Accel. Return Spring - All Models. exc 3X2 . 7.50 ea |
| 8494 | 73 | Accel. Return Spring - All Models. 9.00 ea |
| 8495 | 74-82 | Accel. Return Spring - Inner (silver) and Outer (blue) 5.00 pr |
| 7322 | 68-73 | Accel Firewall Seal 3.50 ea |
| 7323 | 74-81 | Accel Firewall Seal 3.50 ea |

Choke Rods & Related

| | | |
|-------|-------|--|
| 6509 | 68-70 | Choke Rod, All Small Block w/Alum. Intake (69-70 350 w/SpHiPer) 7.50 ea |
| 6522 | 68-69 | Choke Rod 327/350 Q-Jet 8.00 ea |
| 6513 | 68-69 | Choke Rod w/3 x 2 8.00 ea |
| 6516 | 71-74 | Choke Rod, Small Block w/Q-Jet 8.50 ea |
| 6518 | 71-72 | Choke Rod LT-1 7.50 ea |
| 10023 | 72-74 | Choke Rod 454 9.50 ea |
| 6796 | 68 | Choke Rod w/427-390 HP 9.00 ea |
| 6797 | 69 | Choke Rod w/427-390 HP 9.00 ea |
| 6517 | 68-70 | Choke Rod Clip 2.50 ea |
| 6845 | 68-70 | Choke Coil Cover, All exc. 68-69 w/3 x 2 ... 7.00 ea |
| 6798 | 68-69 | Choke Coil Cover 427 w/3 x 2 17.00 ea |
| 6799 | 70-74 | Choke Coil Cover - 454 All and 71-74 with 350 8.50 ea |
| 6866 | 68-70 | Thermostat Coil Mounting Screw 1.00 ea |
| 6842 | 71-74 | Thermostat Coil Mounting Screw - all with Aluminum Base 1.25 ea |
| 6846 | 68-70 | Choke Thermostat Coil - Fits : 68-69 w/427 69-70 w/350 Sp HiPer 21.00 ea |
| 6526 | 68-69 | Choke Thermostat Coil 300 & 350 HP Limited Supply 19.00 ea |
| 6800 | 70-74 | Choke Thermostat Coil - Fits: 70 454 71-74 w/350.....(Limited Supply) 18.00 ea |
| 6809 | 71-72 | Choke Thermo. Coil w/LT-1 and 71 LS-6 ... 18.00 ea |
| 6519 | 71-74 | Choke Thermostat Coil w/454 (71-72 Repl, 73-74 Correct) 15.00 ea |
| 6544 | 75-80 | Clean Air Tube - Manifold to Carb (Front Air) 15.00 ea |
| 6547 | 75-80 | Carb Choke Tube - Manifold to Carb (Rear Heat) 8.00 ea |



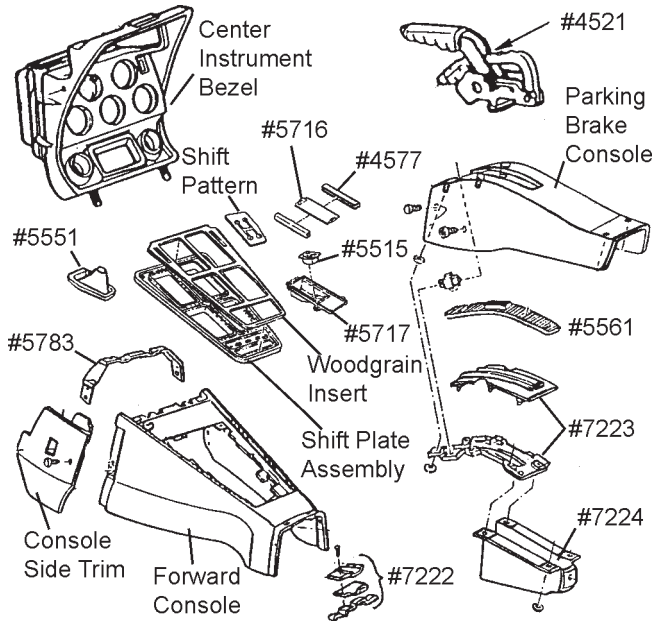
CLOCKS

| | | |
|------|-------|--|
| 5433 | 68-71 | Clock w/Green Letters - NEW w/Quartz .. 149.00 ea ND |
| 5434 | 72-74 | Clock, New w/Quartz Movement 149.00 ea ND |
| 7768 | 75-76 | Clock, New w/Quartz Movement 149.00 ea ND |
| 5437 | 77 | Clock, New w/Quartz Movement 149.00 ea ND |
| 5484 | 78-79 | Clock, New w/Quartz Movement 149.00 ea ND |
| 5990 | 80-81 | Clock, New w/Quartz Movement 149.00 ea ND |
| 7769 | 82 | Clock, New w/Quartz Movement 149.00 ea ND |
| 5432 | 68-82 | Clock Knob Kit 9.50 set |

QUARTZ = 1 Year Warranty

CONSOLE

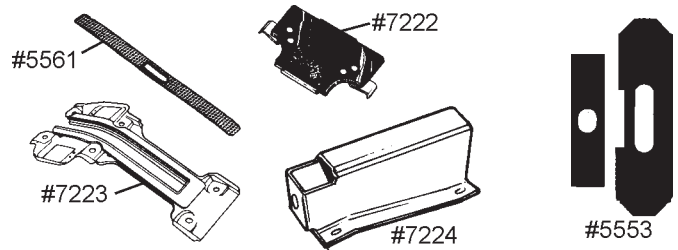
68-76 Console



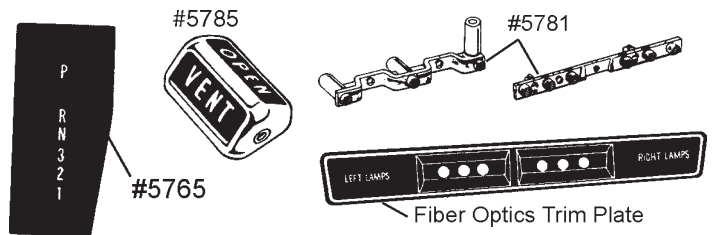
| | | | |
|-------|-------|-------------------------------------|-----------|
| 10558 | 69 | Auto, No Air - Shift Console Plate | 230.95 ea |
| 10559 | 69 | Auto w/Air - Shift Console Plate | 230.95 ea |
| 10560 | 69 | 4 spd, No Air - Shift Console Plate | 230.95 ea |
| 10561 | 69 | 4 spd w/Air - Shift Console Plate | 230.95 ea |
| 10562 | 70-71 | Auto, No Air - Shift Console Plate | 230.95 ea |
| 10563 | 70-71 | Auto w/Air - Shift Console Plate | 230.95 ea |
| 10564 | 70-71 | 4 spd, No Air - Shift Console Plate | 230.95 ea |
| 10565 | 70-71 | 4 spd w/Air - Shift Console Plate | 230.95 ea |
| 10566 | 72-74 | Auto, No Air - Shift Console Plate | 230.95 ea |
| 10567 | 72-74 | Auto w/Air - Shift Console Plate | 230.95 ea |
| 10568 | 75-76 | Auto, No Air - Shift Console Plate | 230.95 ea |
| 10569 | 75-76 | Auto w/Air - Shift Console Plate | 230.95 ea |
| 10570 | 72-76 | 4 spd, No Air - Shift Console Plate | 230.95 ea |
| 10571 | 72-76 | 4 spd w/Air - Shift Console Plate | 230.95 ea |

Shift Console Plates include ashtray door housing & shift pattern

| | | | |
|------|-------|---|--------------|
| 7286 | 68 | Center Instrument Cluster Bezel with Wiper Override Window (lower right window is open) | 299.95 ea |
| 7287 | 68 | Center Instrument Cluster Bezel without Wiper Override Window (lower right window has a plug) | 299.95 ea |
| 4560 | 69-71 | Center Instrument Cluster Bezel | 129.00 ea |
| 5408 | 72-76 | Center Instrument Cluster Bezel | 99.00 ea |
| 7976 | 68-82 | Center Gauge Cluster Lens | 15.00 ea |
| 7295 | 68-69 | Forward Console - Specify Color | 145.00 ea |
| 7296 | 70 | Forward Console - Specify Color | 145.00 ea |
| 7297 | 71 | Forward Console - Specify Color | 145.00 ea |
| 7298 | 72-76 | Forward Console - Specify Color | 145.00 ea |
| 5783 | 68-76 | Forward Console Frt Reinforcement | 12.00 ea |
| 7170 | 68 | Fwd. Console Side Trim - Specify Color | 59.00 pr |
| 7171 | 69-76 | Fwd. Console Side Trim - Specify Color | 59.00 pr |
| 7167 | 68-75 | Fwd. Console Side Trim Extension, Conv w/Air - Rt. (Specify Color) | 43.00 ea |
| 8766 | 68-76 | Shifter Console J-Nuts (4 pcs) | 2.50 set |
| 5559 | 68 | Parking Brake Console exc PW, Black | 69.95 ea |
| 5141 | 68 | Parking Brake Console exc PW, Colors | 92.50 ea |
| 7215 | 68 | Parking Brake Console w/PW, Black | 79.95 ea |
| 5142 | 68 | Parking Brake Console w/PW, Colors | 109.00 ea LD |
| 5560 | 69-76 | Parking Brake Console exc PW, Black | 39.95 ea |
| 5143 | 69-76 | Parking Brake Console exc PW, Colors | 62.00 ea |
| 7216 | 69-76 | Parking Brake Console w/PW, Black | 49.95 ea |
| 5144 | 69-76 | Parking Brake Console w/PW, Colors | 72.00 ea |
| 5561 | 68-76 | Pkg. Brake Lever Plastic Slider | 4.00 ea |



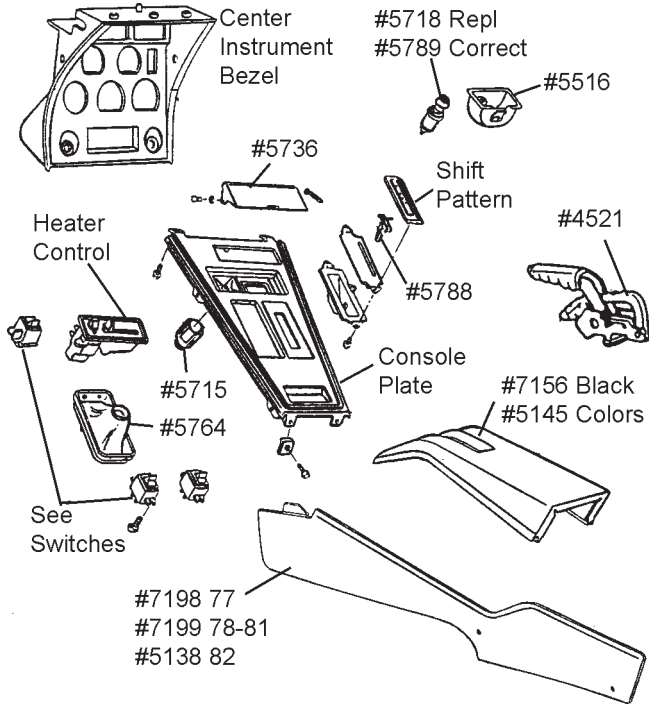
| | | | |
|-------|--------|--|-----------|
| 10114 | 68 | Console Trim Plate Emblem | 24.95 ea |
| 4521 | 68-82 | Pkg. Brake Handle Lever Assy. Replacement Grip | 92.00 ea |
| 10529 | 68-76E | Parking Brake Handle Only - Correct Handle, washers & pins | 149.00 ea |
| 7222 | 68-76 | Pkg. Brake Console - Front Bezel | 23.50 ea |
| 7223 | 68-76 | Pkg. Brake Console - Front Rein. w/Trim Ring | 36.95 ea |
| 7224 | 68-76 | Pkg. Brake Console - Rear Rein | 24.00 ea |
| 5555 | 68-69 | Upper Shifter Boot (Rubber), 3sp and 4sp 68 replacement | 33.00 ea |
| 5551 | 68-76 | Upper Shifter Boot (Leather), 4sp BLACK (replacement for 68-69) | 29.00 ea |
| 5552 | 68-81 | Lower Shifter Boot, 4sp | 26.00 ea |
| 5553 | 68-76 | Auto Shifter Slide (Upper & Lower) | 7.00 pr |
| 5789 | 68-82 | Cigarette Lighter (CORRECT) | 24.00 ea |
| 5718 | 68-82 | Cigarette Lighter w/Knob - REPL | 11.75 ea |
| 4569 | 68-75 | Cigarette Lighter Female Housing w/Nut | 14.75 ea |
| 5715 | 76-82 | Cigarette Lighter Female Housing w/Nut | 14.75 ea |
| 5314 | 68-76 | Cigarette Lighter Lamp Shield | 12.00 ea |
| 5716 | 68-76 | Ashtray Door - must be painted | 20.95 ea |
| 5515 | 63-76 | Ashtray Insert | 11.00 ea |
| 5717 | 68-76 | Ashtray/Lighter Housing, Diecast-Chrome | 31.95 ea |
| 4577 | 68-76 | Ashtray Door Slide | 7.00 pr |
| 1094 | 70-71 | Console Woodgrain Insert exc Air | 19.95 ea |
| 1095 | 70-71 | Console Woodgrain Insert w/Air | 19.95 ea |
| 1092 | 72-76 | Console Woodgrain Insert exc Air | 19.95 ea |
| 1093 | 72-76 | Console Woodgrain Insert w/Air | 19.95 ea |
| 7189 | 68-76 | Console Retainer Spring Clip - prevents ashtray cover from opening during normal driving | 5.95 ea |



| | | | |
|------|--------|---|----------|
| 5765 | 68-76 | Shift Pattern, 4sp | 14.95 ea |
| 4578 | 68-70E | Shift Pattern Plate, Auto (silver letters) | 13.95 ea |
| 5699 | 70L-71 | Shift Pattern Lens, Auto (green letters) | 12.95 ea |
| 4579 | 72-76 | Shift Pattern Lens, Auto (blue letters) | 11.50 ea |
| 5785 | 68 | Vent Knob - on Console exc. Air (says "vent" on one side, "open" on the other) | 16.95 pr |
| 5790 | 68 | Vent Knob - on Console exc. Air ("vent" on one side, straight lines on the other) | 16.95 pr |
| 5747 | 69-70 | Vent Knob on Console - non Air (smooth) | 11.00 ea |
| 5713 | 69-76 | Vent Knob on Console - non Air | 8.95 ea |
| 5781 | 68-71 | Fiber Optics Lens Front & Rear | 22.95 pr |
| 2206 | 68 | Fiber Optics Trim Plate | 24.95 ea |
| 2209 | 69-71 | Fiber Optics Trim Plate | 24.95 ea |

See HEATER and INTERIOR Section for More Console Related Items

Convertible Top



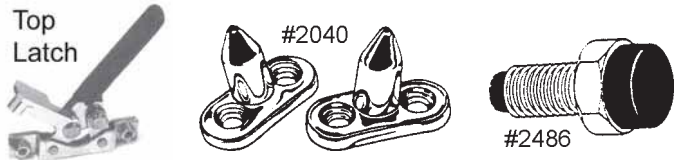
77-82 Console

| | | |
|--------------|--|-----------|
| 7198__ 77 | Console Side Trim Panels - Vinyl covered panels as original (specify color) | 57.00 pr |
| 7199 78-81E | Console Side Trim Panels | 33.00 pr |
| 5138 81L-82 | Console Side Trim Panels | 33.00 pr |
| 7159 77-82 | Shift Console Plate - No Option Cut Outs (you can cut your own holes if needed) .. | 49.00 ea |
| 7031 77-82 | Shift Console Plate w/PW | 49.95 ea |
| 7032 77-80E | Shift Console Plate w/PW & rear defrost .. | 49.95 ea |
| 7033 80L-82 | Shift Console Plate w/PW & rear defrost .. | 49.95 ea |
| | 80E uses defroster switch has 4 terminals straight in a row, 1 1/2" OL hole | |
| | 80L defroster switch has 4 terminals straight in a row, 1 1/2" OL hole | |
| 7034 81-82 | Shift Console Plate w/PW, rear defrost & power mirror | 49.95 ea |
| 7035 81-82 | Shift Console Plate w/PW & power mirror .. | 49.95 ea |
| 7036__ 82 | Collector's Edition Shift Console (specify with or w/o power window, rear defroster or power mirror) | 104.95 ea |
| 7156 77-82 | Parking Brake Cover - Black | 32.00 ea |
| 5145__ 77-82 | Parking Brake Cover - Specify Color | 35.00 ea |
| 4521 68-82 | Parking Brake Handle Lever Assy | 92.00 ea |
| 7225 77 | Center Instrument Cluster Bezel | 90.00 ea |
| 7226 78-82 | Center Instrument Cluster Bezel with Clock | 99.00 ea |
| 7227 81-82 | Center Instrument Cluster Bezel with Oil Temp Gauge (clock in radio) | 99.00 ea |
| 10198 82 | Collector's Ed Center Instrument Bezel with Clock | 139.95 ea |
| 10197 82 | Collector' Ed Center Instrument Bezel with Oil Temp Gauge (clock in radio) | 139.95 ea |
| 7976 68-82 | Center Gauge Cluster Lens | 15.00 ea |
| 5552 68-82 | Lower Shifter Boot, 4sp | 26.00 ea |
| 5764 77-82 | Leather Shifter Boot 4sp & Auto - BLACK .. | 29.00 ea |
| 5766 77-81 | Shift Pattern, 4sp | 15.50 ea |
| 4582 77-81 | Shift Pattern Lens, Auto | 11.00 ea |
| 5739 82 | Shift Pattern Lens, Auto | 23.00 ea |
| 5788 77-82 | Auto Shift Indicator Pointer | 7.95 ea |
| 5789 68-82 | Cigarette Lighter w/Knob - CORRECT | 24.00 ea |
| 5718 68-82 | Cigarette Lighter w/Knob - Replacement .. | 11.75 ea |
| 5715 76-82 | Cigarette Lighter Female Housing | 14.75 ea |
| 5516 77-82 | Ashtray Insert | 13.00 ea |
| 5736 77-82 | Ashtray Door | 25.00 ea |
| 7245 77-82 | Ashtray Door Bushing Assy (2 req.) | 3.00 ea |

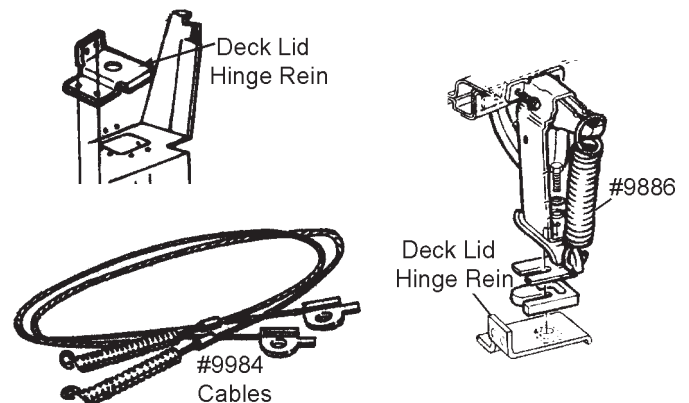
Convertible Tops & Related

| | | |
|--------------|--|---------------|
| 3115__ 68-75 | Conv. Top Kit (Black or White) | 280.00 kit ND |
| | This kit includes: Original type 40 oz. Vinyl, pads, straps, front & rear finish strip w/tips and instructions | |
| 10461 68-75 | Date Stamping Available - State Month & Year that car was manufactured when ordering (allow 2-3 weeks) - additional cost is | 90.00 ea ND |
| 3123 68-75 | Black Canvas Pads, Conv Top | 39.00 pr |
| 3130 68-75 | Black Canvas Straps (fit on each side of rear window) | 30.00 pr |
| 2751 68-75 | Rear Bow w/Strip Hold-In Cord | 6.00 ea |
| 3117 68-75 | Conv. Top Rear Window Trim Bead S.S. End Caps (Correct) with S.S. #4-40 Screws | 9.50 pr |
| 10464 68-75 | Tack Strips - Replacement (plastic) | 42.00 set |
| 6327 68-75 | Tack Strips - Correct fiberboard material .. | 42.50 set |
| 9187 68-75 | Conv Top Rear Window Pillow | 15.95 ea |

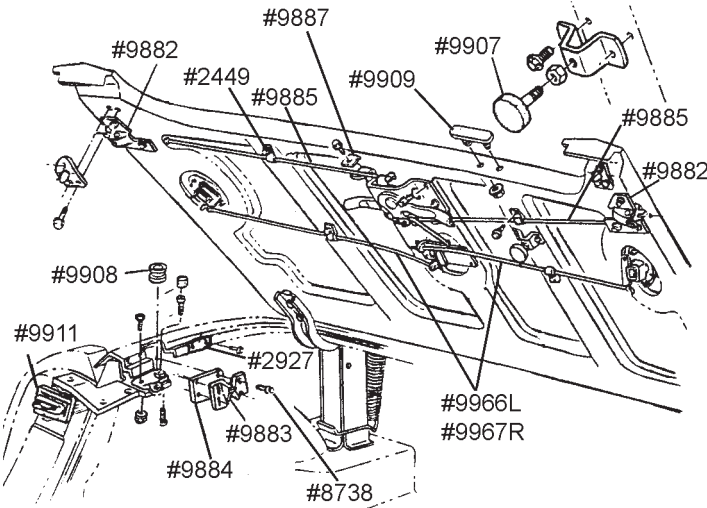
Convertible Top & Deck Lid Hardware



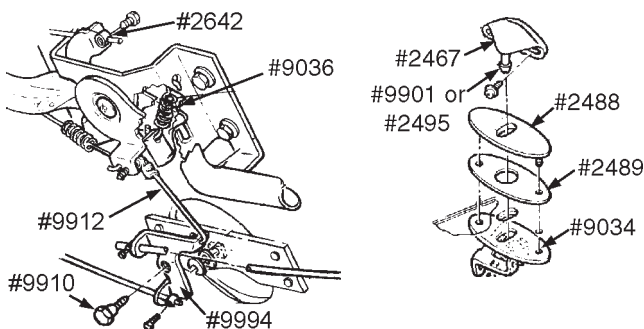
| | | |
|--------------|--|-----------|
| 9895 68-75 | Front Metal Bow - Conv. Top Frame | 349.00 ea |
| 10039 68-75 | Rear Metal Bow - Conv Top Frame | 319.00 ea |
| 9033 68-75 | Conv Top Frame Rebuild Hardware Kit | 27.00 kit |
| 9896 68-75 | Conv. Top Header Trim Panel - Plastic | 89.00 ea |
| 10212 68L-75 | Conv Top Latch - Lt | 52.95 ea |
| 10213 68L-75 | Conv Top Latch - Center | 52.95 ea |
| 10214 68L-75 | Conv Top Latch - Rt | 52.95 ea |
| 2040 69-75 | Front Guide Pin | 16.50 pr |
| 9037 69-75 | Front Guide Pin Screw Set (4 pcs) | 4.50 set |
| 2483 68 | Bushing, Front Guide Pin | 4.00 pr |
| 2487 69-75 | Bushing, Front Guide Pin | 2.50 ea |
| 2486 68-82 | Soft Top Latch Bolt w/Rubber Tip - rubber runs clear through - 1/2" Size Head | 4.00 ea |
| 9900 68-82 | Soft Top Latch Bolt w/Rubber Tip - rubber runs clear through - 3/8" Size Head | 4.00 ea |
| 7445 68-70 | Conv Top Hinge Reinforcement - Lt | 27.00 ea |
| 7446 68-70 | Conv Top Hinge Reinforcement - Rt | 27.00 ea |
| 7447 71-75 | Conv Top Hinge Reinforcement - Lt | 27.00 ea |
| 7448 71-75 | Conv Top Hinge Reinforcement - Rt | 27.00 ea |
| 9984 68-75 | Conv Top Hold Down Cables (68 cars used a different cable but these work fine) | 32.95 pr |
| 9886 68-75 | Deck Lid Hinge Spring (2 req) | 8.00 ea |
| 9432 68-75 | Deck Lid Hinge Shim 1/16" | .75 ea |
| 10194 70-75 | Conv Top/Deck Lid Compartment Lid Pins .. | 27.00 pr |



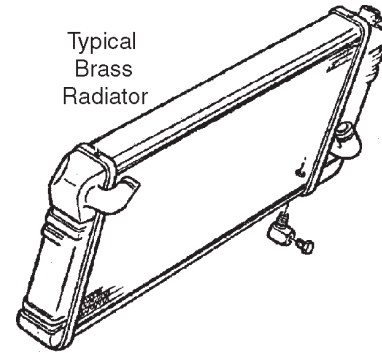
Conv Top & Deck Lid - continued



| | | | |
|-------|--------|---|-----------|
| 2467 | 68L-75 | Rear Pin Bracket on Conv. Top Rear Bow (68 Repl if you use stud #2495) | 25.00 ea |
| 9901 | 68E | Hold Down Rear Pin, Conv. Top 1/4" Stud | 17.00 ea |
| 2495 | 68L-75 | Hold Down Rear Pin, Conv. Top 3/8" Stud | 10.00 ea |
| 9034 | 68-75 | Rear Latch Assembly on Deck - Lt | 75.00 ea |
| 9074 | 68-75 | Rear Latch Assembly on Deck - Rt | 75.00 ea |
| 2488 | 68-75 | Rear Latch on Deck Lid Chrome Bezel | 26.50 ea |
| 2489 | 68-75 | Gasket, Rear Latch Cover | 3.00 pr |
| 9902 | 68-75 | Striker on Body, Conv. Deck Lid Latch | 10.00 pr |
| 9882 | 68-75 | Deck Lid Side Latch Assy on Deck Lid | 47.00 ea |
| 9833 | 68-75 | Deck Lid Side Latch Screws (6 pcs) | 5.50 set |
| 9883 | 68-75 | Deck Lid Side Catch on Body (2 req.) | 21.00 ea |
| 8738 | 68-75 | Deck Lid Catch Screws (8) | 9.00 set |
| 9884 | 68-75 | Antiskid Shim - for Deck Lid Catch on Body (4 pc set) | 22.00 set |
| 2927 | 68-75 | Plastic Wedges on Body | 17.50 pr |
| 9907 | 68L-75 | Deck Lid Bumper Stop | 10.00 ea |
| 10242 | 68-75 | Deck Lid Bumper Bracket | 9.95 ea |
| 9908 | 70-75 | Deck Lid Guide Pin Bushing (2 req.) | 2.50 ea |
| 9909 | 73-75 | Conv Seat Back Bumper on Deck Lid | 16.50 ea |
| 9885 | 68-75 | Deck Lid Latch Cable, Lt or Rt | 6.50 ea |
| 9887 | 68-75 | Cable Clamp on Deck Lid (4 pcs) | 4.50 set |
| 9888 | 68-75 | Cable Clamp Screws on Deck Lid (4 pcs) | 3.50 set |
| 9889 | 68-75 | Cable Grommets (2 pc) | 1.50 pr |
| 2449 | 68-75 | Cable Clamp on Deck Lid Latch Release Mechanism | 8.50 pr |
| 2642 | 68-75 | Deck Lid Cable Brass Stop w/screw | 2.50 ea |
| 9910 | 68-75 | Conv Deck Lid Release Pivot Bolt | 7.00 ea |
| 9912 | 68-75 | Conv Deck Lid Release Rod, Clips & Nuts | 12.00 ea |
| 9994 | 68-75 | Conv Rear Bow Lock Lever | 9.00 ea |
| 9966 | 68-75 | Deck Lid Rod - Lt | 11.00 ea |
| 9967 | 68-75 | Deck Lid Rod - Rt | 11.00 ea |
| 9035 | 68-75 | Deck Lid Rod Stops w/Screws | 7.50 pr |
| 9036 | 68-75 | Deck Lid Release Mechanism Springs | 9.50 pr |
| 9911 | 70-75 | Guide Pin Housing on Body, Lt or Rt | 87.00 ea |
| 9986 | 70-75 | Door Guide Chrome Pin - Lt | 52.00 ea |
| 9987 | 70-75 | Door Guide Chrome Pin - Rt | 52.00 ea |



COOLING SYSTEM & RELATED



Radiators

(Always specify Manual or Auto when ordering)

| | | | |
|-------|-------|---|--------------|
| 3353 | 68-72 | Aluminum Radiator - EXACT Repro 327 & 350 4sp No Air (Fully Detailed which includes painting, correct drain assembly, stickers, labels, inspection stamping and DATE CODE) | 769.00 ea ND |
| 10415 | 68-69 | L-88 Aluminum Radiator - EXACT Repro | 859.00 ea ND |
| 10290 | 68 | 427 Brass Radiator - EXACT Repro | 695.00 ea ND |

Direct - Fit Aluminum Radiators have 2 rows of 1" tubes and press formed tanks which doubles the cooling capacity of the original single row units.

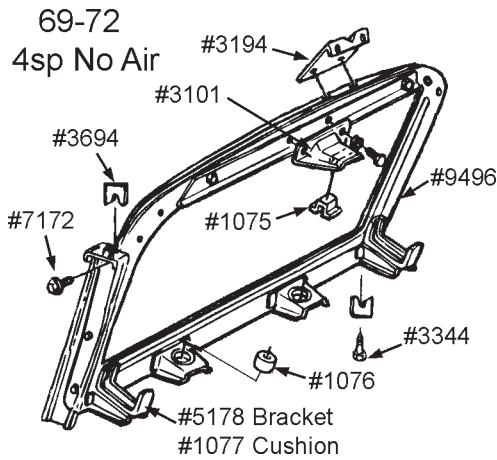
| | | | |
|-------|--------|--|--------------|
| 10131 | 68-72 | Aluminum Radiator - Direct Fit 327 & 350 4sp no air | 509.00 ea ND |
| 10132 | 69-72 | Aluminum Radiator - Direct Fit 327 & 350 Auto or Air (26") | 495.00 ea ND |
| 10133 | 68 | Aluminum Radiator - Direct Fit - 68 427 and 68 327 Auto, 68 4sp w/Air | 495.00 ea ND |
| 10134 | 69-72 | Aluminum Radiator - Direct Fit 427 and 454 | 495.00 ea ND |
| 10136 | 73-76E | Aluminum Radiator - Direct Fit | 495.00 ea ND |
| 10137 | 76L-82 | Aluminum Radiator - Direct Fit | 495.00 ea ND |

Brass Reproduction Radiators - Correct Fit

| | | | |
|-------|---------|---|--------------|
| 10289 | 68-72 | Brass Reproduction Radiator 327 or 350 4sp no Air | 369.00 ea LD |
| 3347 | 68 | Brass Reproduction Radiator (327 Auto, with or w/o Air, 327 4sp w/Air, 427 except L-88 - 22 1/2" wide core) | 369.00 ea LD |
| 3389 | 69-72 | Brass Reproduction Radiator 350 4sp w/Air, 26" Core, No Expansion Tank | 369.00 ea LD |
| 3397 | 69-72 | Brass Reproduction Radiator 350 Auto, 26" Core, No Expansion Tank | 369.00 ea LD |
| 7169 | 69-72 | Brass Reproduction Radiator 427/454 | 369.00 ea LD |
| 3665 | 73-76E | Brass Reproduction Radiator 350/454 4sp or Auto (All w/#199) 27 1/2" core ... | 369.00 ea LD |
| 3666 | 76L-79 | Brass Reproduction Radiator All with #035856 (2 5/8" thick core) | 369.00 ea LD |
| 3667 | 76L-79E | Brass Reproduction Radiator All with #035558. (2" thick core) 3 row | 259.00 ea LD |
| 3669 | 79L-82 | Brass Replacement Radiator All with #043087 (2 " thick core) 3 row | 299.00 ea LD |
| 3199 | 68-72 | Aluminum Radiator Drain Cock | 16.50 ea |
| 10043 | 68-82 | Brass Radiator Drain Cock | 5.50 ea |
| 3170 | 68-72 | Hose- Exp Tank to Radiator w/GM Logos | 11.00 ea |

Radiator/Expansion Tank Caps

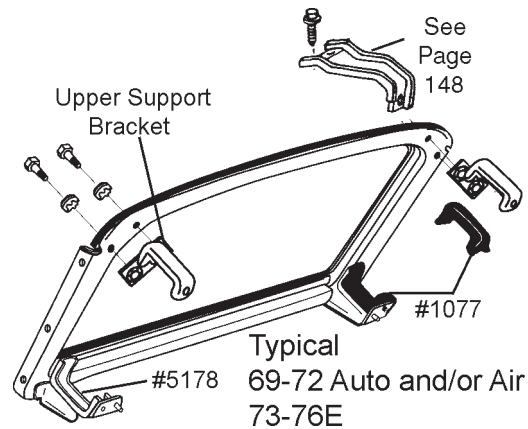
| | | | |
|------|-------|---|----------|
| 3387 | 68-72 | Rad. Cap w/Copper Radiator RC - 15# Correct Repro | 35.00 ea |
| 3386 | 68-72 | Expansion Tank Cap w/Alum. Radiator RC - 26, 15# Correct Repro | 35.00 ea |
| 3372 | 68-72 | Rad/Expansion Tank Cap - SS Repl | 16.50 ea |
| 3374 | 73-82 | Rad. Cap w/Brass Radiator - SS Repl | 16.50 ea |



#1075



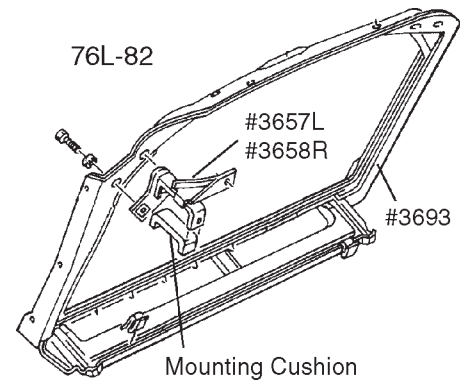
#1076



Typical
69-72 Auto and/or Air
73-76E

Radiator Supports, Brackets and Cushions

| | | | |
|------|--------|---|-------------|
| 9496 | 69-72 | 350 Radiator Core Support with Alum. Rad, 4sp | 319.95 ea |
| 9497 | 69-72 | 350 Radiator Core Support with 26" Copper Rad - fits 350 w/AC and/or Auto. | 319.95 ea |
| 9498 | 69-72 | 427-454 Radiator Core Support with 27 1/2" Rad exc H.D. | 319.95 ea |
| 7330 | 68-72 | Nose Support Rod (core support to header bar) | 19.00 ea |
| 3692 | 73-76E | Radiator Core Support - All | 319.95 ea |
| 3693 | 76L-82 | Radiator Core Support - All | 379.00 ea |
| 7335 | 73-79 | Nose Support Rod | 10.50 ea |
| 5178 | 69-76 | Radiator Support Lower "U" Bracket Weld-On | 9.00 ea |
| 3101 | 69-72 | Top Radiator Support Bracket with Aluminum Radiator | 23.00 ea |
| 7172 | 68-82 | Radiator Support Bolt w/Shim Kit (6 bolts & 12 shims) | 9.50 set |
| 3694 | 68-80 | Radiator Support Shim | .50 ea |
| 3344 | 68-82 | Core Support to Frame Lower Bolts with washers (4 pcs) | 5.00 set |
| 9466 | 69-82 | Hood Hinge/Rad Support Reinforcement - Lt.....USED | 35.00 ea ND |
| 9467 | 69-82 | Hood Hinge/Rad Support Reinforcement - Rt.....USED | 35.00 ea ND |
| 3194 | 69-72 | Upper Fan Shroud Bracket | 13.00 ea |
| 3145 | 68 | 427 Upper Radiator Support Bracket Outer Left | 15.50 ea |
| 3146 | 68 | 427 Upper Radiator Support Bracket Outer Rt | 15.50 ea |
| 3206 | 69-76E | Upper Radiator Support Bracket - Fits all SB & BB exc. Alum Radiator - Lt | 15.50 ea |
| 3207 | 69-72 | Upper Raditor Support Bracket - Fits 69-72 350 exc Alum Rad - Rt | 15.50 ea |
| 5137 | 69-76E | Upper Radiator Support Bracket - Fits 69-72 427/454 exc Alum Rad & Air -Rt 73-76 All - Rt | 15.50 ea |
| 3657 | 76L-82 | Upper Rad. Support Bracket w/Angular Tap for Shroud Mounting - Outer Lt | 21.00 ea |
| 3658 | 76L-82 | Upper Rad. Support Bracket w/Angular Tap for Shroud Mounting - Outer Rt | 21.00 ea |
| 1075 | 68-72 | Upper Rad. Mount Cushion, Square w/327-350 and Alum. Radiator | 4.50 ea |
| 1076 | 68-72 | Lower Rad. Mount Cushion, Round w/327-350 and Alum. Radiator | 3.00 pr |
| 1077 | 68-76E | Upper & Lower Radiator Cushions 5 3/8" lg w/350, 427, 454 w/Auto or Air | 15.00 set |
| 3615 | 76L-80 | Upper Radiator Mounting Cushions (exc. w/AC, L-82, H.D. Rad) use with 2" Thick Radiator (4 pcs) | 16.95 set |
| 3616 | 76L-82 | Upper & Lower Radiator Mounting Cushion Set (w/AC, L-82 or H.D.Rad) use with 2 5/8" Thick Radiator (4 pcs) | 17.00 set |



Radiator Support Seals, Shroud Seals & Air Dams

Radiator Support Seals Seal the radiator to the core support. Seals include pressure sensitive adhesive and pre-cut holes for push-in fasteners (PIF) as required. Number in () is the number of PIF required.

| | | | |
|------|--------|---|-----------|
| 7900 | 68 | Support Seals, 327 (5 pc) | 20.00 set |
| 7902 | 68 | Support Seals, 427 (5 pc) | 20.00 set |
| 7904 | 69E | Support Seals, 350 (4 pc) | 20.00 set |
| 7908 | 69L-72 | Support Seals, 350 Copper Radiator 26 1/2" (4 pc).....(7) | 20.00 set |
| 7909 | 69L-72 | Support Seals, 350 Alum Rad(4 pc) .(6) | 20.00 set |
| 7906 | 69E | Support Seals, 427 (4 pc).....(6) | 20.00 set |
| 7907 | 69L-72 | Support Seals, 427 & 454 (4 pc).....(7) | 20.00 set |
| 7918 | 73 | Support Seals, 350/454 (4 pc)(7) | 20.00 set |
| 7919 | 74-75 | Support Seals, 350/454 no Air (4 pc).....(7) .. | 20.00 set |
| 7920 | 74-75 | Support Seals, 350/454 w/Air (4 pc).....(7) .. | 20.00 set |
| 7921 | 76E | Support Seals, w/o L-82 or Air (5 pc).....(7) .. | 20.00 set |
| 7922 | 76E | Support Seals, w/L-82 or Air (5 pc).....(7) .. | 20.00 set |
| 7923 | 76L-78 | Support Seals w/o L-82 or Air (4 pc).....(2) .. | 18.00 set |
| 7924 | 76L-78 | Support Seals w/L-82 or Air (4 pc).....(2) .. | 18.00 set |
| 7927 | 79-81 | Support Seals, 79-80 w/o L-82 or Air, 81 w/o HD Radiator (4 pc) | 18.00 set |
| 7928 | 79-81 | Support Seals, 79-80 w/L-82 or Air, 81 w/HD Radiator (4 pc) | 18.00 set |
| 7931 | 82 | Support Seals (4 pc) | 18.00 set |
| 7914 | 68-69E | Support Lower Seal, underside | 10.00 ea |
| 7937 | 69-79 | Metal Push-In Fastener - Black (PIF) | 1.75 ea |
| 1189 | All | Staples 25 pc - Stainless Steel | 3.00 set |

Lower Baffle Seals

| | | | |
|------|-------|--------------------------------|---------|
| 7938 | 68-70 | Lower Baffle Seal, Front | 6.00 ea |
| 7939 | 68-70 | Lower Baffle Seal, Rear | 6.00 ea |

Air Dams Mount to the top of the core support. 1968 air dams attach with staples, 1969-1982 air dams include pressure sensitive adhesive when required or attach with push-in fasteners (PIF). Number in () is # PIF required

| | | | |
|------|--------|---|----------------|
| 8331 | 68 | Air Dam, 327 | 22.00 ea |
| 8332 | 68 | Air Dam, 427 | 22.00 ea |
| 8333 | 69E | Air Dam, 350 | 7.00 ea |
| 8334 | 69L-70 | Air Dam, 350 (3 pcs)..... | 12.00 set |
| 8335 | 70-71E | Air Dam, LT-1 (3 pcs)..... | 12.00 set |
| 8336 | 71L-72 | Air Dam, LT-1.....(2 PIF) | 22.00 ea |
| 8337 | 71 | Air Dam, 350..... (2 PIF) | 22.00 ea |
| 8338 | 72 | Air Dam, 350.....(2 PIF) | 22.00 ea |
| 8339 | 69-72 | Air Dam, 69 L-88 and 70 ZR-1 and 71-72 LS6, ZR-1, ZR-2 | 28.00 ea |
| 8340 | 69E | Air Dam, 427 | 10.00 ea |
| 8341 | 69L | Air Dam, 427.....(2 PIF) | 12.00 ea |
| 8342 | 70 | Air Dam, 454 | 12.00 ea |
| 8343 | 71 | Air Dam, 454.....(2 PIF) | 22.00 ea |
| 8344 | 72 | Air Dam, 454.....(2 PIF) | 22.00 ea |
| 8345 | 73 | Air Dam, 350 & 454.....(2 PIF) | 22.00 ea |
| 8346 | 74-75 | Air Dam, 350 & 454.....(2 PIF) | 22.00 ea |
| 8347 | 76-78 | Air Dam, 76-77 All & 78 L-48. (2 PIF) | 15.00 set |
| 8348 | 78-79 | Air Dam, 78 L-82 & 79 ALL. (2 PIF) | 15.00 set |
| 8349 | 80-81 | Air Dam (5 pcs) | 20.00 set |
| 8350 | 82 | Air Dam (4 pcs) | 18.00 set |
| 7937 | 69-79 | Metal Push-In Fastener - Black (PIF) | 1.75 ea |

Radiator Shroud Seals

Properly seal shroud to radiator - include pressure sensitive adhesive.

| | | | |
|------|-------|--|-----------|
| 8317 | 68-72 | Shroud Seal, Upper (steel shroud) | 6.00 ea |
| 8318 | 68-72 | Shroud Seal, Lower (steel shroud) (attaches with staples) | 15.00 ea |
| 8319 | 68 | Shroud Seal, Upper (plastic shroud)..... | 6.00 ea |
| 8320 | 69-72 | Shroud Seals, 350 (plastic shroud)..... | 18.00 set |
| 8321 | 69-72 | Shroud Seals, 427/454 (plastic shroud) | 18.00 set |
| 8322 | 69-72 | Shroud Seals, HD Radiator (plastic shroud)..... | 18.00 set |
| 8323 | 70-72 | Shroud Seals, LT-1 (plastic shroud) | 18.00 set |
| 8324 | 73 | Shroud Seals | 18.00 set |
| 8325 | 74-76 | Shroud Seals | 18.00 set |

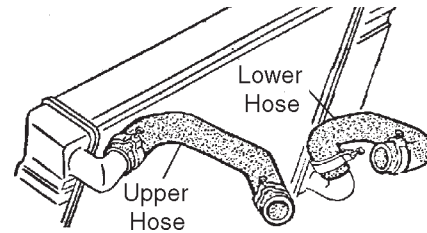


Cooling System Hose Clamp Kits

Includes all Radiator and Heater Hose Clamps.

| | | | |
|------|-------|-------------------------|-----------|
| 1647 | 68 | 327 & 427 exc. AC | 26.50 set |
| 1648 | 68 | 327 & 427 w/AC | 26.50 set |
| 1651 | 69-70 | 350 exc. AC | 26.50 set |
| 1652 | 69 | 350 w/AC | 26.50 set |
| 1653 | 69 | 427 All | 26.50 set |
| 1655 | 70 | 350 w/AC | 26.50 set |
| 1656 | 70 | 454 All | 26.50 set |
| 1660 | 70-72 | LT-1 | 26.50 set |
| 1662 | 71-72 | 350 exc. AC | 25.00 set |
| 1658 | 71-72 | 350 w/AC | 25.00 set |
| 1663 | 71-72 | 454 exc. AC | 25.00 set |
| 1664 | 71-72 | 454 w/AC | 25.00 set |
| 1665 | 73-74 | 350 exc. AC | 25.00 set |
| 1666 | 73-74 | 350 w/AC | 25.00 set |
| 1668 | 73-74 | 454 exc. AC | 25.00 set |
| 1669 | 73-74 | 454 w/AC | 28.00 set |
| 1672 | 75-79 | 350 exc. AC | 23.00 set |
| 1673 | 75-82 | 350 w/AC | 23.00 set |

All tower design hose clamps are correct size and style.
Clamps are undated.



Radiator Hoses - 68-72 Small Block

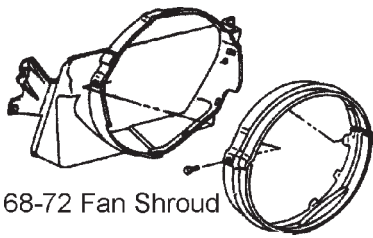
| | | | |
|------|--------|--|----------|
| 3312 | 68-72 | Upper Radiator Hose #3935466 - Fits: All Small Block w/Aluminum Radiator | 26.00 ea |
| 3625 | 68 | Upper Radiator Hose #3917670 - Fits: 68 327 w/Air or Auto | 32.00 ea |
| 3627 | 69-76E | Upper Radiator Hose #3946852 - Fits: All Small Block w/Copper Radiator | 32.00 ea |
| 3315 | 69-71 | Upper Radiator Hose #3946011 - Fits: 69 L-88, 70 LT-1 w/M-22 Trans 70-71 All w/H.D. Alum Radiator | 32.00 ea |
| 3706 | 68-72 | Lower Radiator Hose #3917669 - Fits: All w/Alum Radiator or Copper Replacement except 427, Air & Turbohydramatic | 24.00 ea |
| 3336 | 68 | Lower Radiator Hose #3917670 - Fits: 68 327 w/Air or Auto | 32.00 ea |
| 3337 | 69-72 | Lower Radiator Hose #3946854 - Fits: All Small Block w/Auto & Air <u>or</u> Copper Radiator & 4sp | 28.50 ea |

Radiator Hoses - 73-82 Small Block

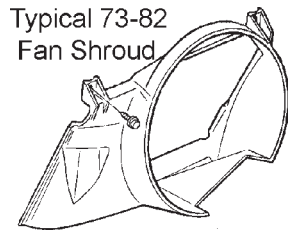
| | | | |
|------|--------|--|----------|
| 3627 | 69-76E | Upper Radiator Hose #3946852 - Fits: All Small Block with Copper Radiator | 32.00 ea |
| 3635 | 76L | Upper Radiator Hose #371443 - Not available.....use #3636 | |
| 3636 | 77-79E | 1 1/2" I.D. Upper Rad. Hose #3970124 | 32.00 ea |
| 3637 | 79L-82 | 1 1/4" I.D. Upper Radiator Hose #14016075 | 24.50 ea |
| 3638 | 73-76E | Lower Radiator Hose #355347 | 32.50 ea |
| 3643 | 76L-82 | Lower Radiator Hose #379933 | 33.50 ea |

Radiator Hoses - 68-74 Big Block

| | | | |
|------|-------|---|----------|
| 3647 | 68 | Upper Radiator Hose w/427 #3947866 | 29.00 ea |
| 3649 | 69 | Upper Radiator Hose #3947867 - Fits All w/3X2 & 390HP exc P.S. | 37.00 ea |
| 3648 | 69-72 | Upper Rad. Hose #3967433 - Fits: 69 427 w/Power Steering 70-72 All 454 exc H.D. Radiator | 32.00 ea |
| 3315 | 69-71 | Upper Rad. Hose w/427-454 #3946011 Fits: 69 w/427 L-88 70-71 All with H.D. Rad. | 32.00 ea |
| 3650 | 73-74 | Upper Radiator Hose w/454 #331876 | 28.00 ea |
| 3334 | 68 | Lower Radiator Hose w/427 exc L-88 #3921908 | 24.00 ea |
| 3375 | 68 | Lower Radiator Hose 66-67 All 427 and 68 w/H.D. Radiator #3882826 | 32.00 ea |
| 3339 | 69-71 | Lower Radiator Hose #3946012 - Fits: Big Block w/H.D. Aluminum Radiator | 32.00 ea |
| 3338 | 69-73 | Lower Radiator Hose #3947868 - Fits: 69 w/427 exc. H.D. Aluminum Radiator 70-73 w/454 exc. AC 71 w/454 All | 29.00 ea |
| 3676 | 70-73 | Rear Lower Radiator Hose w/454 & Air #3969929 | 17.00 ea |
| 3677 | 70-73 | Front Lower Radiator Hose w/454 & Air #3969928 | 11.00 ea |
| 3678 | 70-73 | Lower Radiator Hose Steel <u>Coupling</u> use with #3676 & #3677 | 24.00 ea |



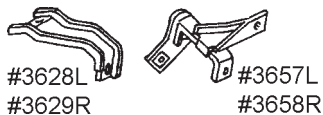
68-72 Fan Shroud



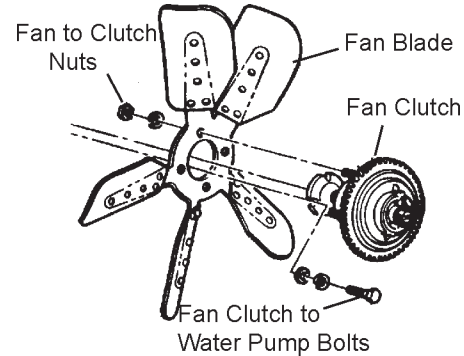
Typical 73-82 Fan Shroud

Fan Shrouds, Blades & Brackets

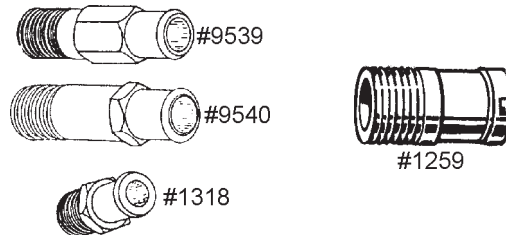
| | | |
|-------------|--------------|---|
| 3200 | 68-71 | Fan Shroud - Fiberglass (#3938940) for cars with 22 1/2" wide radiator core 68 427 All 68 327 with air and/or Auto 70 350 3sp exc air 70-71 350 auto exc air 330.00 ea |
| 3201 | 69-72 | Fan Shroud - Plastic (#3956109) for cars with 26" wide radiator core 69 350 w/air 70-72 350 with air and/or auto 70 350 w/4sp (350HP or 370HP) 71-72 350 w/4sp LT-1 exc HD 4sp or HD radiator 159.00 ea |
| 3202 | 69-72 | Fan Shroud - Plastic (#3956119) for cars with 27 1/2" wide radiator core 69 427 All 70-72 454 exc air.....Coming Soon |
| 9502 | 70-75 | Fan Shroud - Exact Reproduction 70-72 454 with air 73-75 All 350 and All 427 410.00 ea |
| 3617 | 70-75 | Fan Shroud - Plastic (#339175) GM service replacement - fits but not 100% correct 70-72 454 with air 73-75 All 350 and All 427 249.00 ea |
| 3172 | 76E | Fan Shroud (1st Design) DISC |
| 3203 | 76L-82 | Fan Shroud (76Late-78 ALL and 79-80 L-48 279.00 ea |
| 3204 | 79-80 | Fan Shroud w/Baffle - L-82 Only (This is not available. You can use #3203 but you will have to cut a hole in the bottom and add your original baffle plateDISC |
| 3148 | 68-71 | Fan Shroud Extension - fits our #3200 or GM #3938940 shroud) 68 427 No Air 70-71 350 Auto exc Air 80.00 ea |
| 5158 | 68 | Fan Shroud Extension - Upper 327 & Air (fits our #3200 or GM #3938940 shroud) 105.00 ea |
| 5159 | 68 | Fan Shroud Extension - Lower 327 & Air (fits our #3200 or GM #3938940 shroud) 105.00 ea |
| 3618 | 69-72 | Fan Shroud Extension (fits our #3201 or GM #3956109 shroud) 69 350 w/Air 70-72 350 w/Air and/or Auto 70 350 w/4sp (350HP or 370HP) 71-72 350 w/4sp LT-1 exc HD 4sp or HD radiator 105.00 ea |
| 3619 | 70-72 | Fan Shroud Extension (fits our #3617 or GM #339175 shroud) 70-72 454 w/Air 70.00 ea |
| 3127 | 69-72 | Fan Shroud Extension (fits our #3202 or GM #3956119 shroud) 69 427 All 70-72 454 except Air 70.00 ea |
| 3128 | 73-75 | Fan Shroud Extension (fits our #3202 or GM #339175) 73-75 All 350 and All 427 55.00 ea |



| | | |
|------|--------|---|
| 3194 | 69-72 | Upper Fan Shroud Bracket 13.00 ea |
| 3628 | 73-76E | Upper Fan Shroud Mount Bracket- Lt 16.00 ea |
| 3629 | 73-76E | Upper Fan Shroud Mount Bracket- Rt 16.00 ea |
| 3657 | 76L-82 | Upper Fan Shroud Mount Bracket- Lt 21.00 ea |
| 3658 | 76L-82 | Upper Fan Shroud Mount Bracket- Rt 21.00 ea |

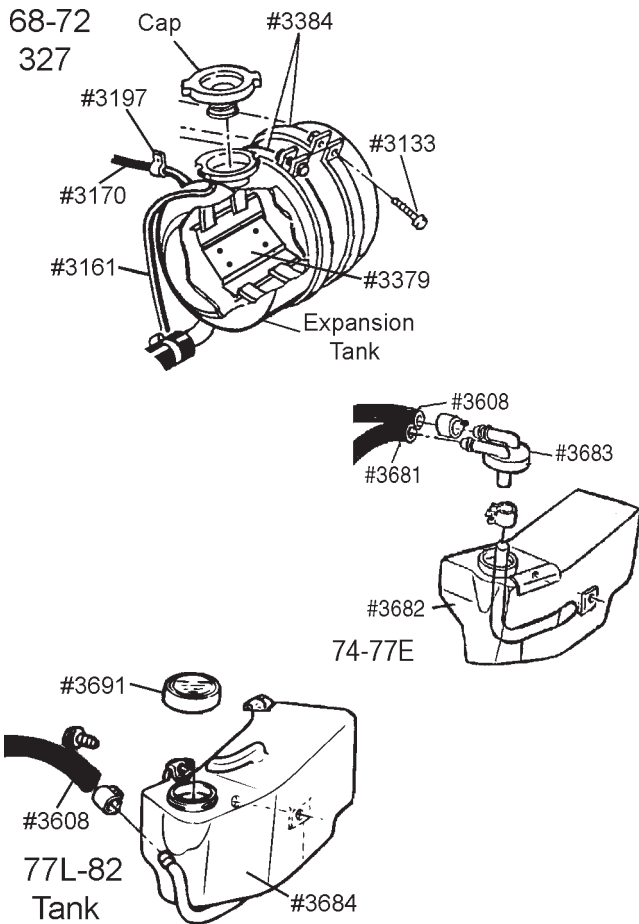


| | | |
|-------|-------|--|
| 3136 | 68-69 | Fan Blade - 5 Blades 17 1/2" 427 no Air 169.00 ea |
| 3633 | 68-70 | Fan Blade 17 1/2", 7 Blade (68-70 exc AC, 69 w/SpHiPer & AC exc 3x2, 70 350 w/ACDISC |
| 9434 | 71-75 | Fan Blade 350 w/AC (17 1/2", 7 Blade) (can be used as a Repl on 71-73 454) 99.00 ea |
| 3610 | 76-82 | Fan Blade 350 w/AC 18 1/2" - 7 Blade 72.50 ea |
| 1063 | 68-70 | Fan Clutch - (small bolt pattern) 119.00 ea |
| 9761 | 72-79 | Fan Clutch 72-73 All, 74-76 exc Air, 77-79 exc Air, HD (large bolt pattern) ... 119.00 ea |
| 9762 | 74-81 | Fan Clutch 74-75 w/Air, 76-78 L-82 w/Air, 77-79 HD Rad, 80-81 w/HDC 119.00 ea |
| 9763 | 76-80 | Fan Clutch 76-78 L-48 w/Air, 79-80 L-48 . 119.00 ea |
| 10261 | 79-82 | Fan Clutch 79-80 L-82, 81-82 exc HDC . 119.00 ea |
| 1011 | 68-70 | Fan Clutch to Water Pump Fine Thread Bolts (4) 7.00 set |
| 8633 | 68-70 | Fan to Clutch Stud Set (4 pcs) 6.00 set |
| 8770 | 70-81 | Fan Clutch to Water Pump Studs (4) 10.00 set |
| 9433 | 68-73 | Fan to Clutch Nut & Washer Set (8 pcs) 2.00 set |



Fittings, Hoses and Related

| | | |
|------|-------|--|
| 3195 | 68-74 | 90 Degree Water Pump ByPass Hose 427, 454 6.00 ea |
| 3129 | 68 | 180 Degree Water Pump ByPass Hose - 68 L-88 22.00 ea |
| 3841 | 68-69 | Water Pump & Intake Manifold ByPass Pipe - Press-In Type 427 - 2 req 5.50 ea |
| 1318 | 68-80 | Heater Hose Fitting on Intake 1/2" Thread, 5/8" Hose 8.50 ea |
| 1259 | 68-69 | ByPass Fitting on Intake w/427 & SpHiPer 8.00 ea |
| 9539 | 68-72 | Heater Hose Fitting, Water Pump Long Hex exc. AC 11.00 ea |
| 9540 | 68-82 | Heater Hose Fitting, Water Pump (Fits: 68-82 w/Air & 73-82 All) 10.00 ea |
| 9530 | 68-80 | 3/4" to 1/2" N.P.T. Adapter 7.00 ea |



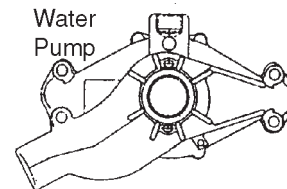
Expansion Tank & Related

| | | | |
|---|--------|---|--------------|
| 3660 | 68-72 | Expansion Tank w/Correct Date Aluminum - SPECIFY DATE | 179.00 ea LD |
| 3163 | 68-72 | Expansion Tank - Aluminum No Date | 159.00 ea |
| The above expansion tanks are Aluminum and they fit cars that originally had an expansion tank except Big Block with Air (they had a brass expansion tank) | | | |
| 3379 | 68-72 | Exp. Tank Bracket on Inner Fender | 12.00 ea |
| 3384 | 68-72 | Exp. Tank Straps | 10.00 pr |
| 3133 | 68-72 | Exp. Tank Strap Bolts w/Correct "EL" Head Mark | 2.50 pr |
| 3157 | 68-72 | Exp. Tank Repair Tubes | 20.00 set |
| 3161 | 68-72 | Overflow Hose, Exp. Tank or Rad | 7.00 ea |
| 3681 | 73-77E | Overflow Hose, Exp. Tank | 7.00 ea |
| 3682 | 74-77E | Plastic Expansion Tank (the type with a snap-on cap) | 20.00 ea |
| 3683 | 73-77E | Cap, Snap on Style | 4.50 ea |
| 3684 | 77L-82 | Plastic Expansion Tank | 20.00 ea |
| 3691 | 77L-82 | Engine Coolant Cap w/Decal, Screw on Style (CORRECT) | 8.50 ea |
| 3170 | 68-72 | Hose, Expansion Tank to Radiator w/Blue GM Logo, CORRECT | 11.00 ea |
| 3608 | 73-82 | Hose, Expansion Tank to Radiator. Replacement | 8.50 ea |
| 3372 | 68-72 | Rad/Expansion Tank Cap - Stainless Steel - Replacement | 16.50 ea |
| 3386 | 68-72 | Expansion Tank Cap w/Alum. Radiator RC - 26, 15# Correct Repro | 35.00 ea LD |
| 1912 | 68-73 | 3 3/4" Push-In style Tie Strap | 1.50 ea |
| 3197 | 68-72 | Hose Clamps from Exp Tank to Radiator | 3.00 pr |



Thermostat Housings & Related

| | | | |
|------|-------|--|----------|
| 3109 | 68-69 | Thermo Housing - Cast Iron Fits 68-69 L-88 #3827369 CORRECT REPRO | 52.00 ea |
| 3134 | 68-73 | Thermo. Housing #3877660 Correct Repro Fits: All 68-73 327, 350 & 427 exc L-88.. | 45.00 ea |
| 9634 | 74-81 | Thermo Housing - CORRECT (cast aluminum with #469519) | 34.00 ea |
| 3102 | 74-81 | Thermo. Housing - 350 Replacement | 25.00 ea |
| 6657 | 82 | Thermo Housing | 25.00 ea |
| 3169 | 68-69 | Water Outlet Spacer on Intake Manifold - Aluminum - Fits the following: 68-69 427 L-88 | 29.00 ea |
| 3114 | 68-73 | Thermo. Housing "TR" & "WB" Bolt Kit (use with #3167 or #3134) | 5.50 pr |
| 3139 | 68-82 | Thermo Housing Gasket - GM | 2.50 ea |



Water Pump Related

Water Pumps - we no longer sell the 68-82 water pumps due to the difficulty in finding a good rebuilder

| | | | |
|------|-------|--|-----------|
| 1074 | 68 | Reinforcement, Water Pump Pulley | 7.00 ea |
| 3076 | 68-74 | Water Pump Attaching Bolt Kit (All Small Block exc Air or A.I.R.) | 8.00 set |
| 8727 | 68-76 | Water Pump Attaching Bolt Kit (Small Block w/Air) 4 pcs | 12.50 set |
| 8728 | 68-74 | Water Pump Attaching Bolt & Stud Kit (All Big Block) 1 Stud, 3 Bolts (No Air) ... | 14.00 set |
| 8729 | 68-74 | Water Pump Attaching Upper RH Stud-BB .. | 5.00 ea |
| 8674 | 68-82 | Water Pump Attaching Stud - Upper Lt | 4.50 ea |
| 3354 | 68-82 | Small Block Water Pump Mounting Gaskets | 3.00 pr |
| 3377 | 65-74 | Big Block Water Pump Mounting Gaskets | 3.00 pr |
| 3668 | 68-70 | 327/350 Water Pump Rebuild Kit | 38.50 kit |
| 9505 | 68-69 | 427 Water Pump Rebuild Kit | 51.50 kit |

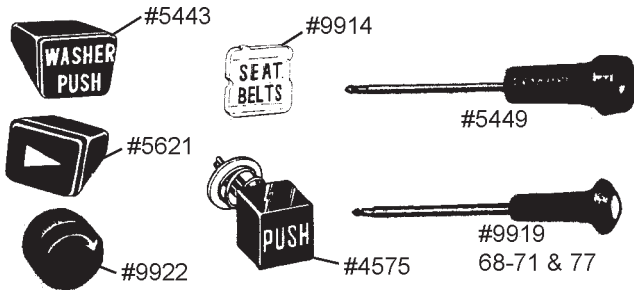
Water Pump Fittings and By Pass Hoses See Page 148

Discount Reminder

**10% off Orders of
\$750.00 or more**

See Order Form for Details

DASH



DECALS

Use **AC**
AIR FILTER
A329C
DO
6487577

Keep your GM car all GM

For maximum performance and economy, specify General Motors parts identified by one of these trademarks.



| | | | |
|--|--------|--|----------|
| 4575 | 68-71 | Seat Belt Push Button w/Spring | 12.00 ea |
| 4576 | 68-71 | Seat Belt Warning Lens | 6.00 ea |
| 9445 | 69-71 | Door Ajar/HL Warning Lens | 11.95 ea |
| 10166 | 72-74 | Door Ajar/HL Warning Lens | 8.00 ea |
| 9914 | 72-76 | Seat Belt Warning Lens | 7.00 ea |
| 9429 | 77-79 | "Fasten Seat Belt" Warning Lens - Lt | 10.00 ea |
| 9442 | 77-79 | "Low Fuel/Generator Warning Lens - Rt | 10.00 ea |
| 9444 | 80-82 | "Low/Fuel/Battery Warning Lens - Rt | 9.00 ea |
| 8024 | 78-82 | Instrument Cluster Bulb SOCKET - Blue USED | 6.50 ea |
| 4581 | 69-76 | Knob, Chrome Air Control on Dash | 3.50 ea |
| 4580 | 68-77 | Chrome Vent Outlet Ball in Dash | 14.95 ea |
| 9916 | 68-77 | Felt Seals - Vent Outlet Ball | 5.00 set |
| 9915 | 69-77 | Center Air Vent Outlet Grill (rectangular) All CHROME | 14.95 ea |
| 9913 | 78-82 | Center Air Vent Outlet Grill (rectangular) Black with a Chrome Edge | 12.95 ea |
| 9448 | 78-82 | Side Air Vent Outlet Deflector | 20.00 ea |
| 9904 | 68-77 | Defroster Outlet Grill on Top Dash | 30.00 ea |
| 5409 | 68 | Ignition Switch Nut - Exact Repro | 21.00 ea |
| 5419 | 68 | Ignition Switch Indicator Bezel | 21.00 ea |
| 5415 | 68 | Headlight Switch Indicator Bezel | 18.00 ea |
| 9917 | 69-77 | Headlight Switch Indicator Bezel | 15.00 ea |
| 9918 | 78-82 | Headlight Switch Indicator Bezel | 6.00 ea |
| 4565 | 68-82 | Underdash Manual Control Switch Pull down on this switch and the wiper door or headlamp doors will stay open ... | 13.95 ea |
| 9919 | 69L-71 | Headlight Switch Knob w/Rod (Replacement for 68-69 early) | 15.00 ea |
| 5449 | 72-76 | Headlight Switch Knob w/Rod | 34.00 ea |
| 9919 | 77 | Headlight Switch Knob w/Rod | 15.00 ea |
| 10195 | 78-79 | Headlight Switch Knob w/Rod | 21.00 ea |
| 9920 | 81-82 | Headlight Switch Knob w/Rod | 20.00 ea |
| 9921 | 68-82 | Headlight Switch Nut | 6.00 ea |
| 5443 | 68-72 | Wiper Switch Knob | 6.00 ea |
| 5621 | 73-77 | Wiper Switch Knob | 6.00 ea |
| 9922 | 78-82 | Wiper Switch Knob | 8.25 ea |
| 5439 | 70-72 | Wiper Override Switch Lower Dash | 18.50 ea |
| WIPER SWITCHES - See SWITCH Section | | | |
| 5447 | 68-72 | Knob for Wiper Override Switch | 16.00 ea |
| 9923 | 68-77 | Trip Odometer Reset Cable | 57.00 ea |
| 5474 | 68-77 | Trip Odometer Reset Knob | 3.00 ea |
| 2168 | 78-82 | Glove Box Lock w/Key | 24.00 ea |
| 9936 | 78-82 | Glove Box Light Switch | 3.50 ea |
| 10335 | 77-82 | Dash Lens Housing | 13.95 ea |
| 10336 | 77-82 | Dash Light Bulb Housing | 13.95 ea |

See **GAUGE** Section for Lenses

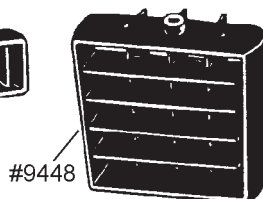
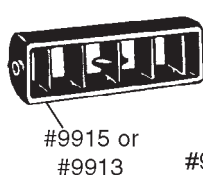
See **CONSOLE** Section for Center Instrument Bezels

Air Cleaner

| | | | |
|------|-------|------------------------------------|---------|
| 4650 | 68 | 327 Turbo-Fire 300 HP | 3.00 ea |
| 4651 | 68 | 327 Turbo-Fire 350 HP | 3.00 ea |
| 4652 | 69-70 | 350 Turbo-Fire 300 HP | 3.00 ea |
| 4653 | 69-70 | 350 Turbo-Fire 350 HP | 3.00 ea |
| 4654 | 70 | 350 Turbo-Fire 370 HP LT-1 | 3.00 ea |
| 4655 | 71 | 350 Turbo-Fire 270 HP | 3.00 ea |
| 4656 | 71 | 350 Turbo-Fire 330 HP LT-1 | 3.00 ea |
| 4662 | 68-69 | 427 Turbo-Jet w/Flags 390 HP | 5.00 pr |
| 4663 | 68-69 | 427 Turbo-Jet w/3 x 2 400 HP | 4.00 ea |
| 4664 | 68-69 | 427 Turbo-Jet w/3 x 2 435 HP | 4.00 ea |
| 4665 | 70 | 454 Turbo-Jet w/Flags 390 HP | 5.00 pr |
| 4666 | 70 | 454 Turbo-Jet w/Flags 460 HP | 5.00 pr |
| 4667 | 71 | 454 Turbo-Jet 365 HP | 4.00 ea |
| 4668 | 71 | 454 Turbo-Jet 425 HP | 4.00 ea |
| 4771 | 71 | Keep Your GM Car All GM | 3.50 ea |
| 4772 | 72 | Keep Your GM Car All GM | 3.50 ea |
| 4773 | 73 | Keep Your GM Car All GM | 3.50 ea |
| 4774 | 74 | Keep Your GM Car All GM | 3.50 ea |
| 4775 | 75 | Keep Your GM Car All GM | 3.50 ea |
| 4776 | 76 | Keep Your GM Car All GM | 3.50 ea |
| 4777 | 77 | Keep Your GM Car All GM | 3.50 ea |
| 4778 | 78 | Keep Your GM Car All GM | 3.50 ea |
| 4779 | 79 | Keep Your GM Vehicle All GM | 3.50 ea |
| 4780 | 80 | Keep Your GM Vehicle All GM | 3.50 ea |
| 4781 | 81 | Keep Your GM Vehicle All GM | 3.50 ea |

Air Conditioning

| | | | |
|------|-------|---|---------|
| 4784 | 68 | Harrison Heat Exchanger Sticker | 6.50 ea |
| 4785 | 69 | Harrison Heat Exchanger Sticker | 6.50 ea |
| 4786 | 70 | Harrison Heat Exchanger Sticker | 6.50 ea |
| 4787 | 71 | Harrison Heat Exchanger Sticker | 6.50 ea |
| 4788 | 72 | Harrison Heat Exchanger Sticker | 6.50 ea |
| 4789 | 73 | Harrison Heat Exchanger Sticker | 6.50 ea |
| 4790 | 74 | Harrison Heat Exchanger Sticker | 6.50 ea |
| 4791 | 75 | Harrison Heat Exchanger Sticker | 6.50 ea |
| 4792 | 76 | Harrison Heat Exchanger Sticker | 6.50 ea |
| 4711 | 68 | Frigidaire A/C Compressor Sticker | 5.50 ea |
| 4793 | 69 | Sm Blk Frigidaire A/C Compressor Sticker ... | 5.50 ea |
| 4794 | 70-71 | Sm Blk Frigidaire A/C Compressor Sticker ... | 5.50 ea |
| 4710 | 70-71 | Big Blk Frigidaire A/C Compressor Sticker ... | 5.50 ea |
| 4795 | 72-73 | Sm Blk Frigidaire A/C Compressor Sticker ... | 5.50 ea |
| 4796 | 72-73 | Big Blk Frigidaire A/C Compressor Sticker ... | 5.50 ea |
| 4797 | 74-75 | Sm Blk Frigidaire A/C Compressor Sticker ... | 5.50 ea |
| 4712 | 74 | Big Blk Frigidaire A/C Compressor Sticker ... | 5.50 ea |
| 4798 | 76 | Frigidaire A/C Compressor Sticker | 5.50 ea |
| 4799 | 77-78 | Delco A/C Compressor Sticker | 6.50 ea |





Console Engine Specification Plates

| | | | |
|------|-------|----------------------------------|----------|
| 5570 | 69-70 | Base 350 300 HP, 10.25:1 Comp. | 10.95 ea |
| 5571 | 69 | L-36, 427, 390 HP, 10.25:1 Comp. | 10.95 ea |
| 5572 | 69 | L-68, 427, 400 HP, 10.25:1 Comp. | 10.95 ea |
| 5573 | 69-70 | L-46, 350, 350 HP, 11.00:1 Comp. | 10.95 ea |
| 5574 | 69 | L-71, 427, 435 HP | 10.95 ea |
| 5575 | 69 | ZL-1, 427 | 18.00 ea |
| 5576 | 69 | L-88, 427 | 18.00 ea |
| 5577 | 70 | LT-1, 350, 370 HP, 11.00:1 Comp. | 10.95 ea |
| 5578 | 70 | LS-5, 454, 390 HP, 10.25:1 Comp. | 10.95 ea |
| 5579 | 71 | Base, 350, 270 HP, 8.5:1 Comp. | 10.95 ea |
| 5580 | 71 | LT-1, 350, 330HP, 9.0:1 Comp. | 10.95 ea |
| 5581 | 71 | LS-5, 454, 365 HP, 8.5:1 Comp. | 10.95 ea |
| 5563 | 71 | LS-6, 454, 425 HP, 9.0:1 Comp. | 10.95 ea |
| 5599 | 72 | Base, 350 8.5:1 Comp. | 10.95 ea |
| 5564 | 72 | LT-1, 350, 9.0:1 Comp. | 10.95 ea |
| 5595 | 72 | LS-5, 454 8.5:1 Comp. | 10.95 ea |
| 5596 | 73-74 | L-48, 350, 8.5:1 Comp. | 10.95 ea |
| 5597 | 73 | L-82, 350, 9.0:1 Comp. | 10.95 ea |
| 5598 | 73-74 | LS-4, 454, 8.25:1 Comp. | 10.95 ea |
| 5607 | 74 | L-82, 350, 9.0:1 Comp. | 10.95 ea |
| 5582 | 75-76 | L-48, 350, 8.5:1 Comp. | 10.95 ea |
| 5583 | 75-76 | L-82, 350, 9.0:1 Comp. | 10.95 ea |

Cooling System & Radiator

| | | | |
|------|--------|--------------------------------------|---------|
| 4634 | 68-72 | Small Block Harrison Radiator - Foil | 3.95 ea |
| 4743 | 74-77 | Coolant Warning on Exp Tank | 3.50 ea |
| 5568 | 77L-82 | Engine Coolant Cap Sticker | 5.25 ea |
| 4744 | 73 | Shroud Caution | 3.50 ea |
| 4745 | 79-80 | Fan Caution Sticker w/L-82 or AC | 4.50 ea |
| 4748 | 81-82 | Fan Caution, Large Yellow | 4.50 ea |
| 4688 | 68-72 | Green Tank Inspection #8 | 2.50 ea |
| 4689 | 68-72 | Green Radiator Inspection #3 | 2.50 ea |

Door

| | | | |
|------|-------|-----------------------------------|---------|
| 2939 | 68-77 | Inside Door Handle Decal | 8.50 pr |
| 4763 | 73-75 | Tire Air Pressure Sticker on Door | 3.00 ea |
| 4764 | 76-77 | Tire Air Pressure Sticker on Door | 3.00 ea |

Emission Control Sticker

| | | | |
|------|-------|--------------------------|----------|
| 4598 | 68-78 | Emission Control Sticker | 6.00 ea |
| 4610 | 79-82 | Emission Control Sticker | 11.00 ea |

(Specify Year, Horsepower and Transmission when ordering)

Engine Compartment

| | | | |
|------|-------|--|-------------|
| 4698 | 68-79 | Master Cyl. Bail Label "YC" | 3.50 ea |
| 4699 | 68-79 | Master Cyl. Bail Label "TG" | 3.50 ea |
| 4707 | 68-72 | Master Cyl. Bail Label "YA" (68-72 without Power Brakes) | 3.50 ea |
| 7359 | 68-74 | Delco Remy Distributor Identification Band (specify date & part # when ordering) | 25.00 ea ND |
| 4608 | 68-71 | Transistorized Ignition Coil Decal | 3.50 ea |
| 4754 | 68-71 | Amplifier Sticker - Transistorized Ignition | 3.50 ea |

Glove Box

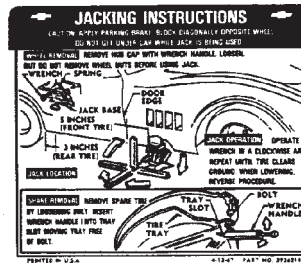
| | | | |
|------|-------|---|---------|
| 4694 | 68-72 | Tire Air Pressure Sticker | 3.50 ea |
| 4701 | 68-72 | Wheel Trim Ring Card - for Owner's Packet | 3.50 ea |

Jacking Instructions

| | | | |
|------|-------|------------------------------|----------|
| 4675 | 68-72 | Jacking Instructions | 4.25 ea |
| 4782 | 73-74 | Jacking Instructions | 4.25 ea |
| 4783 | 75-78 | Jacking Instructions | 4.25 ea |
| 4726 | 79-81 | Jacking Instructions (2 pcs) | 6.50 set |

Miscellaneous

| | | | |
|------|-------|--|---------|
| 4767 | 68-72 | AM/FM Stereo Radio Instructions | 4.50 ea |
| 4709 | 68 | Radio Antenna Card (hung from RH Radio Knob) | 4.00 ea |
| 1835 | 70-72 | LT-1 on Hood Decal - Black | DISC |
| 4768 | 75-77 | Fuel Warning Label - Black Letters | 4.00 ea |
| 4769 | 75-77 | Fuel Warning Label - White Letters | 4.00 ea |
| 4770 | 78-80 | Fuel Warning Label - Silver Letters | 5.00 ea |



CAUTION

THIS VEHICLE EQUIPPED WITH LIMITED SLIP DIFFERENTIAL. REAR WHEEL MAY DRIVE IF IN CONTACT WITH GROUND EVEN THOUGH OPPOSITE WHEEL IS RAISED. DO NOT RUN ENGINE WITH VEHICLE ON JACK UNLESS TRANSMISSION IS IN NEUTRAL OR PARK. SEE OWNER'S MANUAL.

PRINTED IN U.S.A. 7.22-58 PART NO. 374926

Positraction

| | | | |
|------|-------|--|---------|
| 4681 | 68-71 | Positraction Label | 4.00 ea |
| 4682 | 72-73 | Positraction Label | 4.00 ea |
| 4683 | 68-72 | Red Plug Tag - "use positraction differential" | 7.00 ea |
| 4599 | 73-79 | Red Plug Tag - "Limited Slip Differential" | 7.00 ea |

EK EM

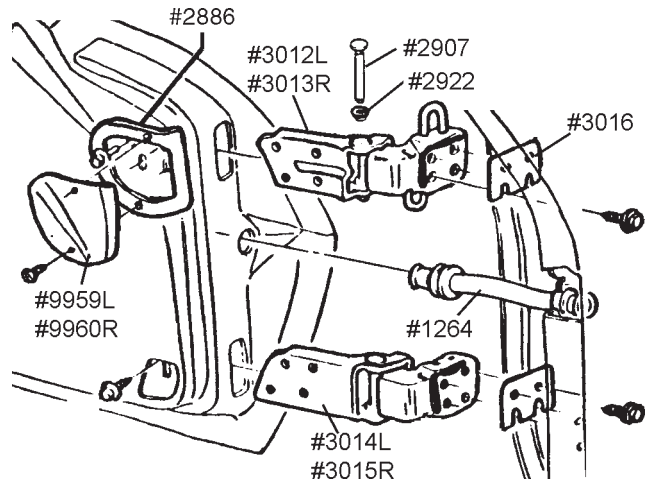
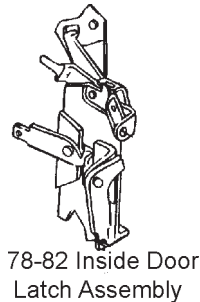
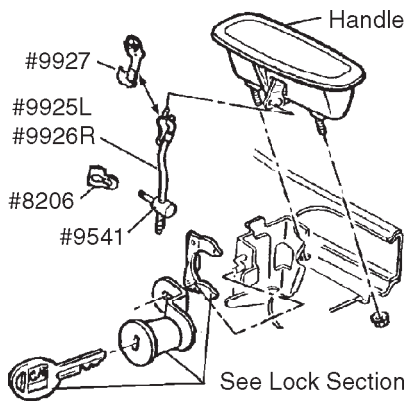
Suspension

| | | | |
|------|-------|---|----------|
| 4584 | 68-72 | Front Coil Spring Label "HS" Std, Sm. Blk. | 4.50 pr |
| 4585 | 68-74 | Front Coil Spring Label "HT" w/Air exc. 427/454 | 4.50 pr |
| 4586 | 68-72 | Front Coil Spring Label "HU" 427, 454 w/Std. Susp. | 4.50 pr |
| 4587 | 68-74 | Front Coil Spring Label "HV" w/427, 454 and AC | 4.50 pr |
| 4594 | 68-79 | Shock Absorber Label Set "EK" & "EM" Std. Susp. - Front & Rear (4) | 4.50 set |
| 4595 | 68-79 | Shock Absorber Label Set "EN" & "EP" w/F-41 H.D. Susp. - Frt & Rear (4) | 4.50 set |

Valve Covers

| | | | |
|------|-------|---|---------|
| 4625 | 68-70 | All 427/454 Tonawanda No. 1 Team | 3.50 ea |
| 4626 | 69-82 | Circular Emblem w/Cross Flags (on Cover) | 6.00 ea |
| 4630 | 68-69 | Valve Cover Engine Code Letters (when ordering: specify year, horsepower, type of transmission and with or without T.I. Ignition) | 3.50 pr |

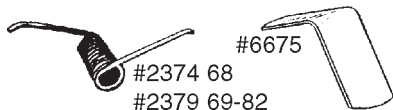
DOOR



| | | | |
|--|-------|---|-------------|
| 2366 | 68 | *Outside Door Handle - Lt...(GM Rest.) | 81.95 ea |
| 2367 | 68 | *Outside Door Handle - Rt...(GM Rest.) | 81.95 ea |
| 2368 | 69-82 | *Outside Door Handle - Lt...(GM Rest.) ... | 65.95 ea |
| 2369 | 69-82 | *Outside Door Handle - Rt...(GM Rest.) | 65.95 ea |
| * Above Door Handles are GM Restoration Parts (US Made) | | | |
| 10170 | 68 | Door Handle - Lt (imported) | 65.00 ea |
| 10171 | 68 | Door Handle - Rt (imported) | 65.00 ea |
| 2048 | 69-82 | Outside Door Handle - Lt (imported) | 24.95 ea |
| 2049 | 69-82 | Outside Door Handle - Rt (imported) | 24.95 ea |
| 10337 | 69-82 | Outside Door Handles - PAIR (imported) | |
| | | CW Special | 39.95 pr |
| 2390 | 68 | Door Push Button Bezel | 30.00 ea |
| 2383 | 68 | Outer Door Handle Gasket | 2.00 ea |
| 2384 | 69-82 | Outer Door Handle Gasket | 1.50 ea |
| 9092 | 68 | Door Lock Cylinder Rod - Lt | 9.00 ea |
| 9093 | 68 | Door Lock Cylinder Rod - Rt | 9.00 ea |
| 9925 | 69-82 | Outer Door Handle to Mech. Rod - Lt | 13.00 ea |
| 9926 | 69-82 | Outer Door Handle to Mech. Rod - Rt | 13.00 ea |
| 9541 | 69-81 | Outside Door Handle Rod Pivot Pin | 8.00 ea |
| 8206 | 68-82 | Clip - Inside Control Rod to Lock Mech | 1.00 ea |
| 9927 | 69-82 | Clip - Outer Door Handle to Mech | 1.50 ea |
| 9934 | 69-77 | Inside Door Lock Latch Assembly - Lt ... | 109.00 ea |
| 9935 | 69-77 | Inside Door Lock Latch Assembly - Rt ... | 109.00 ea |
| 9975 | 78-82 | Inside Door Lock Latch Assembly - | |
| | | Specify Lt or Rt..... | Coming Soon |
| 9938 | 68-82 | Door Latch Striker Pin on Body - | |
| | | Rear of Door | 5.95 ea |

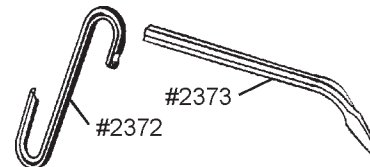


#9938
Door Striker



| | | | |
|------|-------|---|---------|
| 2374 | 68 | Spring - Outside Door Handle Repair | .DISC |
| 2379 | 69-82 | Spring - Outside Door Handle Repair | .DISC |
| 6675 | 69-82 | Spring - Outside Door Handle - Holds | |
| | | Flap Up, Installs without removing | |
| | | handle from car. | 7.95 ea |

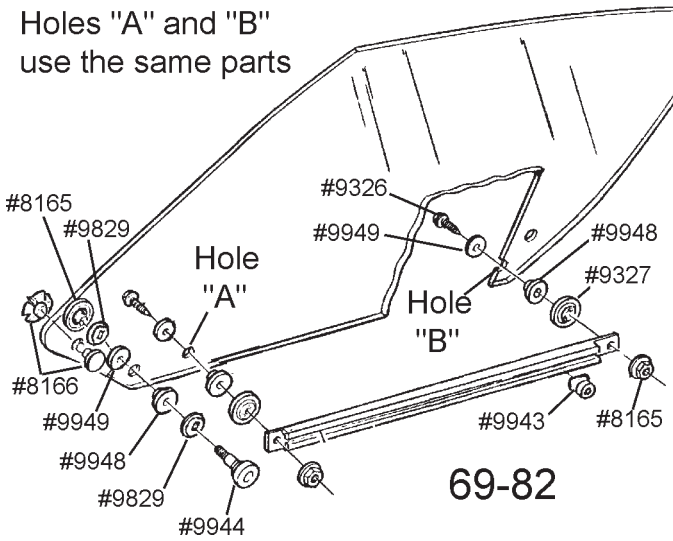
| | | | |
|-------|-------|--|-------------|
| 3012 | 68-82 | Door Hinge Upper - Lt | 97.50 ea |
| 3013 | 68-82 | Door Hinge Upper - Rt (Used/Recon)..... | 87.50 ea |
| 3014 | 68-82 | Door Hinge Lower - Lt | 72.00 ea |
| 3015 | 68-82 | Door Hinge Lower - Rt (Used/Recon) | 66.00 ea |
| 3016 | 68-82 | Door Hinge Shim | 4.00 ea |
| 2372 | 68-82 | Door Hinge Spring | 5.00 ea |
| 2373 | 68-82 | Installation Tool, Door Hinge Spring | 11.95 ea |
| 10268 | 68-82 | Door Hinge Pin & Bushing Set | |
| | | Stainless Steel | 19.95 set |
| 8189 | 68-82 | Door Hinge Pin & Bushing Set (4 correct | |
| | | length pins and 8 bushings) | 15.95 set |
| 2907 | 68-82 | Door Hinge Pin - Correct Length | 4.00 ea |
| 2922 | 68-82 | Door Hinge Bushing (set of 8) | 4.00 set |
| 1264 | 68-80 | Power Window Harness Conduit (round) ... | 15.00 ea |
| 9959 | 68-82 | Small Door Access Plate - LtUSED .. | 10.00 ea ND |
| 9960 | 68-82 | Small Door Access Plate - RtUSED ... | 10.00 ea ND |
| 2886 | 68-82 | Small Door Access Plate Gasket | 4.00 ea |



| | | | |
|------|-------|-------------------------------------|-----------|
| 9911 | 70-75 | Door Guide Pin Housing on Body | |
| | | (Lt or Rt) | 87.00 ea |
| 9986 | 70-75 | Conv. Door End Tapered Chrome Guide | |
| | | w/Studs - Lt | 52.00 ea |
| 9987 | 70-75 | Conv. Door End Tapered Chrome Guide | |
| | | w/Studs - Rt | 52.00 ea |
| 9988 | 68 | Door Alignment Wedges - brass and | |
| | | plastic (4 pc set) | 43.50 set |

DOOR (continued)

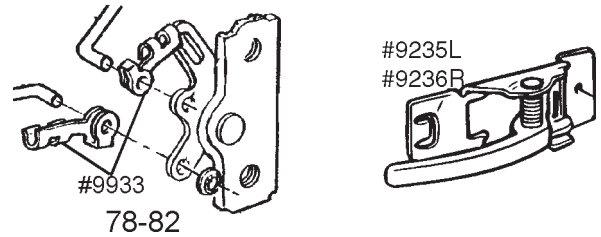
Holes "A" and "B"
use the same parts



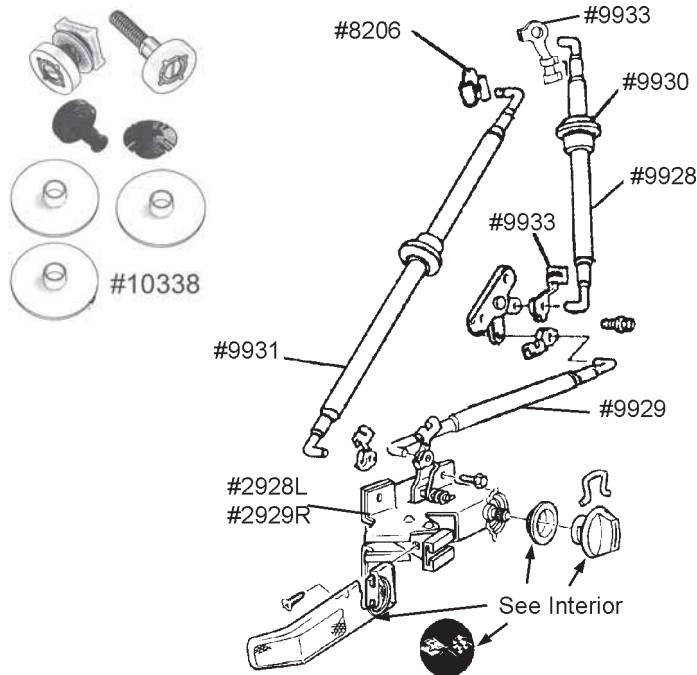
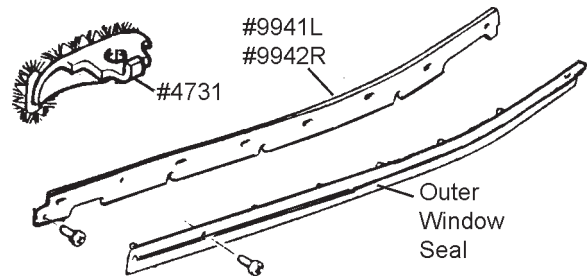
69-82

- 10338 68-77 Window Track Lift Rebuild Kit (7 pcs - does one side) 1pr 8166, 3 of 9948, 1 of 9943 1 of 9944 45.00 kit
- 10339 78-82 Window Track Lift Rebuild Kit (9 pcs - does one side) 1 pr 8166, 3 of 9948, 1 of 9943, 1 of 9944, 1 of 9327, 1 plastic washer) .. 49.00 kit
- 9943 68-82 Door Glass Track & Slider Assembly (Roller Guide) 17.50 ea
- 9944 68-82 Roller Window Guide 17.50 ea
- 9948 68-82 Window Lift Bushing 2.00 ea
- 9949 68-82 Rubber Washer - Window Lift Channel or Guide Roller 1.25 ea
- 8165 68-82 Nut, Window Lift Channel 2.00 ea
- 8166 68-82 Window Glass Bushing & Cap (1968 cars require 2 pair per door) 9.50 pr
- 9326 69-82 Lift Channel Bolt 2.00 ea
- 9327 70-82 Door Glass Channel or Roller Guide Round Nut 2.00 ea
- 9829 68-82 Washer - Window Roller 2.00 ea

- 2928 68-77 Inside Door Opening Control - Lt 65.95 ea
- 2929 68-77 Inside Door Opening Control - Rt 65.95 ea
- 9931 68-77 Inside Door Opening Control Rod to Lock MechUSED 25.00 ea ND
- 9929 68-77 Inside Lower Door Lock Mech Rod with clips 19.95 ea
- 9928 68-77 Inside Upper Door Lock Mech Rod with clips and grommet 19.95 ea
- 9094 68-77 Door Rod Elbow (threaded adjustable elbow on door rod) 5.95 ea
- 8206 68-82 Clip - Inside Control Rod to Lock Mechanism 1.00 ea
- 9933 68-77 Clip - Inside Door Lock Rods (4 pcs) 2 LH and 2 RH 4.00 set
- 9930 68-77 Anti-Rattle Rubber Grommet - Lock or Control Rod 4.00 ea
- 9235 78-82 Inside Door Open Control w/Handle - Lt 19.95 ea
- 9236 78-82 Inside Door Open Control w/Handle - Rt 19.95 ea
- 10051 78-82 Power Door Lock Actuator 29.95 ea
- 9938 68-82 Door Latch Striker Pin on Body - Rear or Door 5.95 ea

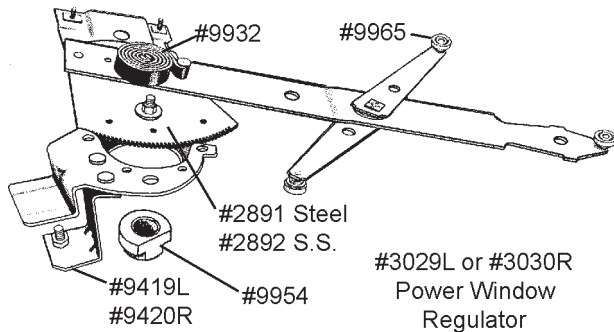


78-82

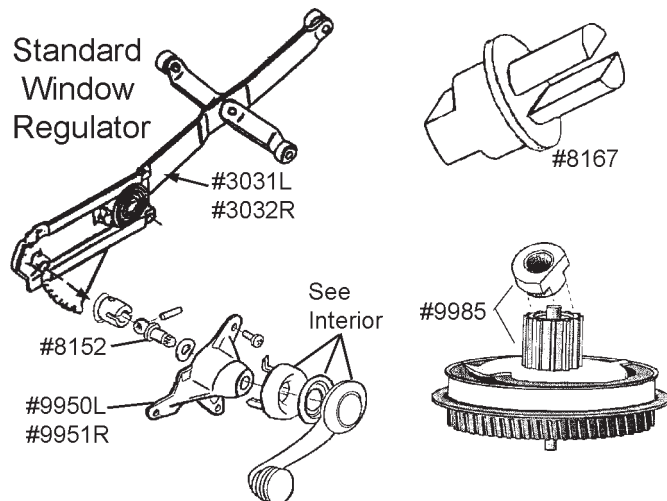


- 4731 69-82 Side Window Anti-Rattle Cushion 8.50 ea
 - 4759 69-82 Side Window Anti-Rattle Cushion (4 pcs) .. 29.95 set
 - 7166 68 Inner Door Seal Assembly - includes chrome bead w/fuzzies and rubber seal installed and metal reinforcement as original 179.00 pr**
 - 4723 68 Inner Window Seal/Felt - Replacement 37.00 pr
 - 4838 68 Outer Window Seal/Rubber - Lt (CORRECT) Rubber Only 30.00 ea
 - 4839 68 Outer Window Seal/Rubber - Rt (CORRECT) Rubber Only 30.00 ea
 - 4721 68 Outer Window Seals - Repro 37.00 pr
 - 4760 69-82 Inner Window Seal, Coupe or Conv (Repro) 44.00 pr
 - 7168 69-75 Conv Outer Window Seals - Excellent Repro **JUST LIKE THE ORIGINALS** 64.95 pr
 - 7292 69-82 Coupe Outer Window Seals - Excellent Repro - **JUST LIKE THE ORIGINALS** 64.95 pr
- We recommend the above outer window seals to assure a proper fit. The functional repros below do not fit as well.
- 4761 69-82 Coupe Outer Window Seal (Functional Repro) 35.00 pr
 - 4762 69-75 Conv. Outer Window Seal (Functional Repro) 35.00 pr
 - 9941 68-82 Outer Window Trim Molding, Lt ...USED ... 39.00 ea ND
 - 9942 68-82 Outer Window Trim Molding, Rt ...USED ... 39.00 ea ND

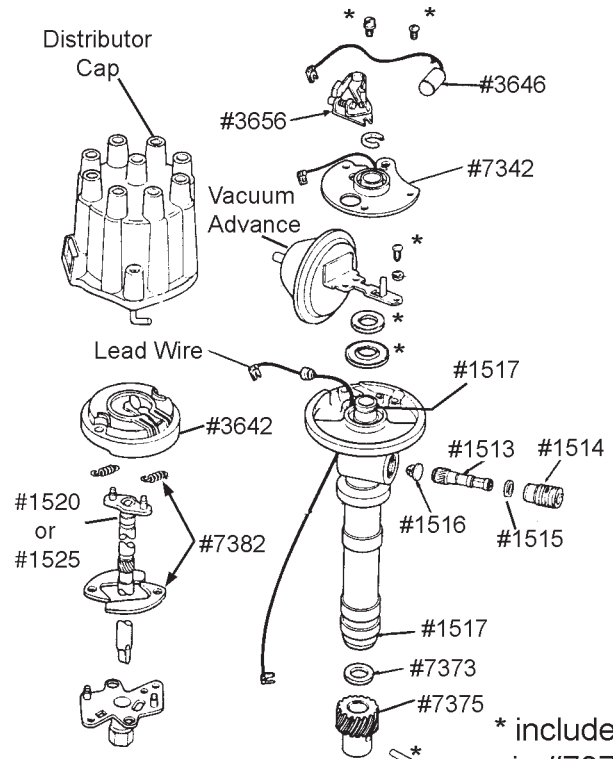
DOOR(continued)



| | | | |
|--|--------|--|------------------------|
| 2996 | 68-82 | Power Window Regulators-PAIR | 295.00 pr ND |
| 3029 | 68-82 | Pwr Window Regulator - Lt (less motor) .. | 179.00 ea |
| 3030 | 68-82 | Pwr Window Regulator - Rt (less motor) . | 179.00 ea |
| 9419 | 68-82 | Pwr Window Regulator Mount Bracket-Lt .. | 15.95 ea |
| 9420 | 68-82 | Pwr Window Regulator Mount Bracket-Rt .. | 15.95 ea |
| 10239 | 63-82 | Power Window Motor Mount Plate | 9.50 ea |
| 2891 | 68-82 | Replacement Gear with bushing and rivets, Power Window Regulator, Heat Treated, Silver Zinc (Lt or Rt) | 26.95 ea |
| 2892 | 68-82 | Replacement Gear with bushing and rivets, Power Window Regulator Stainless Steel (Lt or Rt) | 26.95 ea |
| 8167 | 68-82 | Pwr Window Regulator Large Center Rivet. | 9.50 ea |
| 9932 | 68-82 | Power Window Regulator Spring | 25.00 ea |
| 9954 | 68-82 | Power Window Motor Plate Bushing | 8.75 ea |
| 10628 | 68-77 | Power Window Motor w/Gear - Repl - Lt | 89.95 ea |
| 10629 | 68-77 | Power Window Motor w/Gear - Repl - Rt | 89.95 ea |
| 9955 | 68-77 | **Delco Pwr Window Motor w/Gear - Lt | 129.00 ea |
| 9956 | 68-77 | **Delco Pwr Window Motor w/Gear - Rt ... | 129.00 ea |
| ** Note: #9980 is required for use with #9955 and #9956 | | | |
| 9980 | 68-77 | Pwr Window Motor Special Adapter Harness | 10.00 ea |
| 9957 | 78-82 | Power Window Motor w/Gear - Lt | 129.00 ea |
| 9958 | 78-82 | Power Window Motor w/Gear - Rt | 129.00 ea |
| 9985 | 68-82 | Power Window Motor Gear (inside motor) with Bushing | 30.00 ea |
| 9965 | 68-82 | Window Regulator Rollers (6) | 9.50 set |
| 1264 | 68-80E | Power Window Wire Conduit (rubber) | 15.00 ea |
| 3031 | 68-80 | Std Window Regulator - Lt | USED 75.00 ea ND |
| 3032 | 68-80 | Std Window Regulator - Rt..... | USED 75.00 ea ND |
| 9965 | 68-82 | Window Regulator Rollers (6) | 9.50 set |
| 9950 | 68-80 | Regulator Shaft Housing - Lt..... | USED ... 35.00 ea ND |
| 9951 | 68-80 | Regulator Shaft Housing - Rt..... | USED ... 35.00 ea ND |
| 8152 | 68-80 | Regulator Shaft exc Power Window..... | 9.95 ea ND |



DISTRIBUTOR & RELATED



| | | | |
|-------|-------|--|--------------|
| 1529 | 68-74 | *Tach Drive Distributor Single Point Standard (exc TI) - Rebuilt | 319.00 ea LD |
| 1527 | 68-74 | *Tach Drive Distributor Single Point Hi-Perf (exc TI) - Rebuilt | 319.00 ea LD |
| 10581 | 68-74 | Tach Drive Distributor Single Point Standard (exc TI) - NEW | 359.00 ea LD |
| 10582 | 68-74 | Tach Drive Distributor Single Point Hi-Perf (exc TI) - NEW | 369.00 ea LD |

Distributors include vacuum advance, cap and rotor

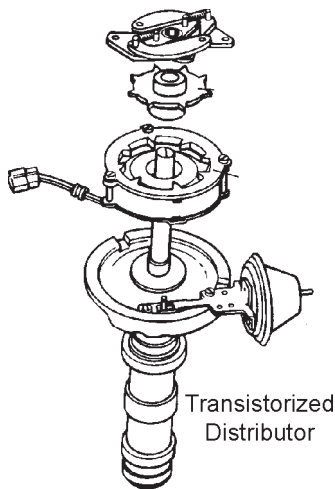
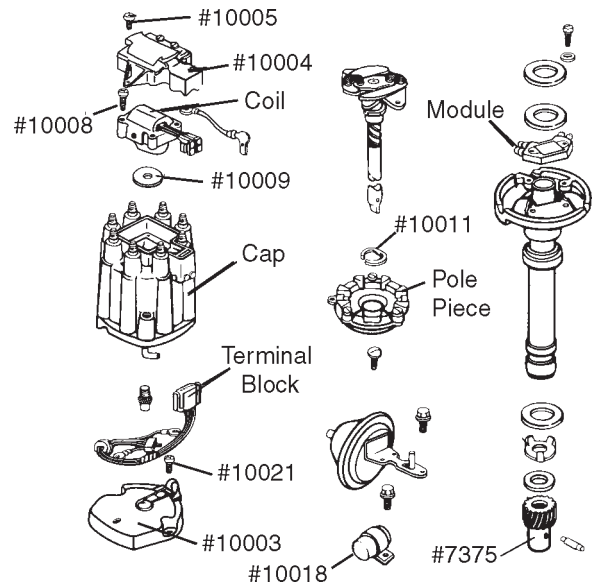
10090 68-74 **Electronic Ignition Conversion Kit** (exc TI)
Pertronix Ignitor II - get the benefits of a modern high energy system but keep a stock look. Eliminates points & condenser with an electronic module to promote fuel economy, quicker starts, longer plug life and more horsepower. The powerful microcontroller controls dwell for improved performance.

119.95 kit

| | | | |
|------|-------|---|-----------|
| 1520 | 68-74 | Distributor Main Shaft, w/Sp HiPer | 59.95 ea |
| 1525 | 68-74 | Distributor Main Shaft, exc. SpHiPer. | 59.95 ea |
| 3652 | 68-74 | Distributor Cap (Single Window) | 15.00 ea |
| 3642 | 68-74 | Dist. Rotor | 5.50 ea |
| 7382 | 68-74 | Dist. Spring & Weight Kit | 15.00 kit |
| 3656 | 68-74 | Dist. Points | 12.00 ea |
| 3646 | 68-74 | Dist. Condenser | 5.50 ea |
| 1517 | 68-74 | Dist. Main Shaft Upper & Lower Bushing Set | 18.95 set |
| 1518 | 68-74 | Installation Tool - Upper & Lower Bushing ... | 8.50 ea |

Distributor (continued)

| | | | |
|-------|-------|--|-------------|
| 1513 | 68-74 | Dist. Cross Shaft Gear - IMPROVED | 25.50 ea |
| 1514 | 68-74 | Dist. Coupling for Cross Shaft Gear | 16.00 ea |
| 1515 | 68-74 | Dist. Cross Shaft Gear Thrust Washer | 2.00 ea |
| 1516 | 68-74 | Dist. Cross Shaft Gear Plastic Button | 2.00 ea |
| 10622 | 68-74 | Dist. Cross Shaft Gear Brass Button | 6.50 ea |
| 7373 | 68-74 | Dist. Shim Kit | 6.00 kit |
| 7374 | 68-74 | Dist. Small Parts Kit (points & condenser screws, grommet, felt & plastic washers, lower gear pin and spring clip) | 8.50 kit |
| 7375 | 68-74 | Dist. Lower Drive Gear | 28.50 ea |
| 7384 | 68-74 | Dist. Hold Down Clamp w/Bolt (wire type) | 11.00 ea |
| 7385 | 68-74 | Dist. Mounting Gasket | 2.00 ea |
| 7342 | 68-74 | Distributor Plate | 22.50 ea |
| 7344 | 68-74 | Vacuum Advance, exc. SpHiPer | 15.50 ea |
| 7347 | 68-74 | Vacuum Advance, w/SpHiPer | 15.50 ea |
| 7270 | 68-70 | Dist to Coil Lead Wire (All 68-69 and 70 dist #'s 1111490, 1111493) | 10.00 ea |
| 7272 | 70-74 | Dist to Coil Lead Wire (All 71-74 and 70 all except #'s 1111490, 1111493) | 10.00 ea |
| 7359 | 68-74 | Delco Remy I.D. Band - Date Stamped (Allow two weeks for delivery) | 25.00 ea ND |
| 3661 | 68-74 | Ignition Coil exc. T.I. - U.S. Made Repl | 32.50 ea |
| 10551 | 68-74 | Std Ignition Coil (#287), 427/454 | 75.00 ea |



We no longer sell the Transistorized Distributors due to the high cost and difficulty in locating them.

| | | | |
|-------|-------|---|-----------|
| 7386 | 68 | Transistor Ignition Amplifier - Correct | 299.00 ea |
| 7387 | 69-71 | Transistor Ignition Amplifier - Correct | 375.00 ea |
| 7366 | 68-71 | T.I. Integrated Circuit Module (replaces internals of existing T.I. box with updated electronic module) | 149.00 ea |
| 10546 | 68E | T.I. Ignition Coil (#207), 350 HP | 125.00 ea |
| 10552 | 68-71 | T.I. Ignition Coil (#272), Small Block | 125.00 ea |
| 10550 | 68-72 | T.I. Ignition Coil (#263), 427/454 | 125.00 ea |

75-82 DISTRIBUTOR

| | | | |
|-------|-------|---|----------|
| 10001 | 75-82 | Distributor Cap & Rotor Kit | 28.95 ea |
| 10002 | 75-82 | Dist Cap Spark Plug Wire Retaining Ring .. | 10.95 ea |
| 10003 | 75-82 | Dist Rotor | 7.50 ea |
| 10021 | 75-82 | Dist Rotor Screws | 2.50 pr |
| 10004 | 75-82 | Dist Cap Cover | 11.00 ea |
| 10005 | 75-82 | Dist Cap Cover Screw | 7.50 ea |
| 10006 | 75-81 | Ignition Coil | 50.00 ea |
| 10007 | 82 | Ignition Coil | 54.00 ea |
| 10008 | 75-82 | Ignition Coil Mounting Screw | 4.00 ea |
| 10009 | 75-82 | Coil Seal (under coil) | 6.25 ea |
| 10010 | 75-82 | Dist Spring & Weight Kit | 12.95 ea |
| 10011 | 75-82 | Dist Pole Piece Retainer | 6.00 ea |
| 10012 | 75-80 | Dist Pick-Up Coil (pole piece) | 38.95 ea |
| 10013 | 81 | Dist Pole Piece | 40.00 ea |
| 10014 | 82 | Dist Pick-Up Coil/Pole Piece | 43.50 ea |
| 10015 | 75-80 | Dist Module | 38.00 ea |
| 10016 | 81 | Dist Module | 62.00 ea |
| 10017 | 82 | Dist Module | 62.00 ea |
| 10018 | 75-80 | Dist Capacitor | 5.50 ea |
| 10019 | 81-82 | Dist Terminal Block (module to elec pkg) .. | 79.00 ea |
| 10020 | 75-82 | Dist Terminal Block w/Capacitor | 18.00 ea |
| 7375 | 68-82 | Dist Lower Drive Gear | 28.50 ea |
| 7385 | 68-82 | Dist Mounting Gasket | 2.00 ea |

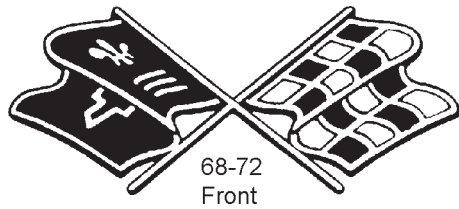


PAINTS and ADHESIVES - See Page 9

CUSTOM - FIT STEREOS
See Pages 212 - 214

BOOKS & MANUALS
See Pages 208 - 211

EMBLEMS



Front Emblem

| | | | |
|------|-------|---|----------|
| 1872 | 68-72 | Front Emblem - Show Quality | 36.95 ea |
| 1815 | 73-74 | Front Emblem | 69.95 ea |
| 1816 | 75-76 | Front Emblem | 69.95 ea |
| 1817 | 77 | Front Emblem | 69.95 ea |
| 1818 | 78 | Front Emblem | 59.95 ea |
| 1819 | 79 | Front Emblem | 69.95 ea |
| 1820 | 80 | Front Emblem | 38.95 ea |
| 1821 | 81 | Front Emblem | 38.95 ea |
| 1822 | 82 | Front Emblem exc. Collector's Edition | 64.95 ea |
| 1841 | 82 | Front Emblem for Collector's Edition | 93.50 ea |

Gas Door Emblem

| | | | |
|-------|-------|--|----------|
| 1867 | 68 | Gas Door Emblem - Correct Rivet on Type (Show Quality) | 60.00 ea |
| 1873 | 68-73 | Gas Door Emblem - Show Quality | 39.95 ea |
| 10162 | 68-73 | Gas Door Emblem - imported | 29.95 ea |
| 1921 | 75-76 | Gas Door Emblem | 69.95 ea |
| 1922 | 77 | Gas Door Emblem | 69.95 ea |
| 1923 | 78 | Gas Door Emblem | 69.95 ea |
| 1924 | 79 | Gas Door Emblem | 69.95 ea |
| 1883 | 80 | Gas Door Emblem | 38.95 ea |
| 1884 | 81 | Gas Door Emblem | 38.95 ea |
| 1885 | 82 | Gas Door Emblem exc. Collector's Edition | 59.95 ea |
| 1886 | 82 | Gas Door Emblem for Collector's Edition | 93.95 ea |
| 8694 | 68-82 | Gas Door Emblem Acorn Nuts (2 pcs) | 1.25 pr |

Rear Emblem

| | | | |
|------|--------|--|--------------|
| 1879 | 68-73 | Rear Letter Set - "CORVETTE" | 80.00 set |
| 1880 | 74-75 | Rear Letter Set - "CORVETTE" | 82.00 set |
| 1876 | 76E | Rear Bumper Corvette Emblem (3/4" tall letters, 6 1/4" long) | 100.00 ea ND |
| 1881 | 76L-79 | Rear Bumper Corvette Emblem (1" tall letters, 8 1/2" long) | 41.95 ea |
| 1882 | 80-82 | Rear Bumper Corvette Emblem | 44.95 ea |

Console Emblem

| | | | |
|-------|----|---------------------------------|----------|
| 10114 | 68 | Console Trim Plate Emblem | 24.95 ea |
|-------|----|---------------------------------|----------|

454

Hood Emblem

| | | | |
|-------|-------|---|-----------|
| 9109 | 68-69 | 427 Hood Number Set (6 pcs) imported ... | 34.95 set |
| 9104 | 70-72 | 454 Hood Number Set (6 pcs) imported ... | 34.95 set |
| 10210 | 68-69 | 427 Hood Number Set (3 pcs) Show Quality (2 sets required) | 43.50 set |
| 10211 | 70-72 | 454 Hood Number Set (3 pcs) Show Quality (2 sets required) | 43.50 set |
| 1830 | 68-72 | Number "2" on Hood | 8.00 ea |
| 1831 | 68-72 | Number "7" on Hood | 8.00 ea |
| 1832 | 68-72 | Number "4" on Hood | 8.00 ea |
| 1833 | 68-72 | Number "5" on Hood | 8.00 ea |
| 10393 | 68-72 | Hood Insert Moldings, PAIR LT-1, 427, 454 | 105.00 pr |
| 1838 | 68-72 | Hood Insert Mldg., LT-1, 427, 454 - Lt | 69.95 ea |
| 1839 | 68-72 | Hood Insert Mldg., LT-1, 427, 454 - Rt | 69.95 ea |
| 1874 | 73-74 | 454 Emblem on Hood - Show Quality | 42.95 pr |
| 1837 | 75-79 | L-82 Emblem on Hood (will also fit 73-74 but was not on the car originally) | 41.95 pr |
| 1824 | 73-79 | L-48 Emblem on Hood - Reproduction | 14.95 pr |
| 1849 | 73-79 | L-48 Emblem on Hood - Show Quality | 41.95 pr |
| 1835 | 70E | LT-1 Decal on Hood - Black | .DISC |

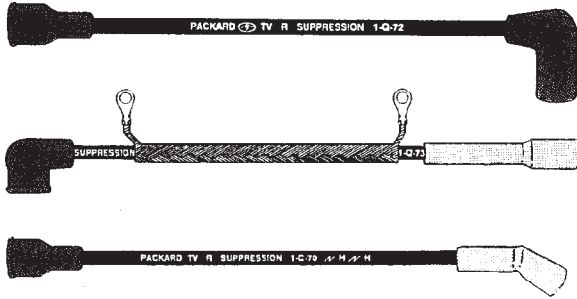


Side Emblem

| | | | |
|------|-------|--|----------|
| 1851 | 69-73 | Side Stingray Emblem - with 4 long attaching studs | 41.95 ea |
| 1853 | 74-76 | Side Stingray Emblem - w/ 3 studs and a self adhesive backing (69-73 Repl) | 42.95 ea |
| 1854 | 77-79 | Side Flag Emblem | 69.95 ea |
| 1855 | 80-82 | L-82 Side Emblem | 29.95 ea |
| 1859 | 82 | Crossfire Side Fender Emblem | 99.95 pr |



ENGINE COMPARTMENT

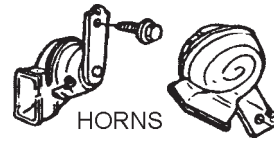


Electrical

Correct Dated Spark Plug Wires, these wires are assembled using the correct plug boots and the correct factory script and dates.

| | | | |
|------|---------------------------|-------|---------------------------|
| 1968 | 00001 thru 12647 (3-Q-67) | 1972? | 00001 thru 15020 (3-Q-71) |
| | 12648 thru 28566 (1-Q-68) | | 15021 thru 27004 (1-Q-72) |
| 1969 | 00001 thru 17571 (3-Q-68) | 1973 | 00001 thru 16301 (3-Q-72) |
| | 17572 thru 38762 (1-Q-69) | | 16302 thru 34464 (1-Q-73) |
| 1970 | 00001 thru 05183 (3-Q-69) | 1974 | 00001 thru 19258 (3-Q-73) |
| | 05184 thru 17316 (1-Q-70) | | 19259 thru 37502 (1-Q-74) |
| 1971 | 00001 thru 10886 (3-Q-70) | | |
| | 10887 thru 21801 (1-Q-71) | | |

| | | | |
|-------------|--------------|---|------------------|
| 7500 | 68 | 327 Spark Plug Wires (3 Q 67) | 75.00 set |
| 7501 | 68 | 327 Spark Plug Wires (1 Q 68) | 75.00 set |
| 7502 | 69 | 350 Spark Plug Wires (3 Q 68) | 75.00 set |
| 7503 | 69 | 350 Spark Plug Wires (1 Q 69) | 75.00 set |
| 7504 | 70 | 350 Spark Plug Wires (3 Q 69) | 75.00 set |
| 7505 | 70 | 350 Spark Plug Wires (1 Q 70) | 75.00 set |
| 7506 | 71 | 350 Spark Plug Wires (3 Q 70) | 75.00 set |
| 7507 | 71 | 350 Spark Plug Wires (1 Q 71) | 75.00 set |
| 7508 | 72 | 350 Spark Plug Wires (3 Q 71) | 75.00 set |
| 7509 | 72 | 350 Spark Plug Wires (1 Q 72) | 75.00 set |
| 7540 | 73 | 350 Spark Plug Wires (3 Q 72) | 75.00 set |
| 7541 | 73 | 350 Spark Plug Wires (1 Q 73) | 75.00 set |
| 7542 | 74 | 350 Spark Plug Wires (3 Q 73) | 75.00 set |
| 7543 | 74 | 350 Spark Plug Wires (1 Q 74) | 75.00 set |
| 7544 | 68 | 427 Spark Plug Wires w/Radio (3 Q 67) .. | 130.00 set |
| 7545 | 68 | 427 Spark Plug Wires w/Radio (1 Q 68) .. | 130.00 set |
| 7546 | 69 | 427 Spark Plug Wires w/Radio (3 Q 68) .. | 130.00 set |
| 7547 | 69 | 427 Spark Plug Wires w/Radio (1 Q 69) .. | 130.00 set |
| 7548 | 70 | 454 Spark Plug Wires w/Radio (3 Q 69) .. | 130.00 set |
| 7549 | 70 | 454 Spark Plug Wires w/Radio (1 Q 70) .. | 130.00 set |
| 7550 | 71 | 454 Spark Plug Wires w/Radio (3 Q 70) .. | 130.00 set |
| 7551 | 71 | 454 Spark Plug Wires w/Radio (1 Q 71) .. | 130.00 set |
| 7552 | 72 | 454 Spark Plug Wires w/Radio (3 Q 71) .. | 130.00 set |
| 7553 | 72 | 454 Spark Plug Wires w/Radio (1 Q 72) .. | 130.00 set |
| 7554 | 73 | 454 Spark Plug Wires w/Radio (3 Q 72) .. | 130.00 set |
| 7555 | 73 | 454 Spark Plug Wires w/Radio (1 Q 73) .. | 130.00 set |
| 7556 | 74 | 454 Spark Plug Wires w/Radio (3 Q 73) .. | 130.00 set |
| 7557 | 74 | 454 Spark Plug Wires w/Radio (1 Q 74) .. | 130.00 set |
| 7558 | 68-74 | 427, 454 Spark Plug Wires w/o Radio | |
| | | Specify Date | 75.00 set |
| 3490 | 68-74 | Small Block Spark Plug Wires exc F.I. | |
| | | correct wires & ends -Replacement | 40.00 set |
| 3492 | 68-74 | 427, 454 Spark Plug Wires w/Radio | |
| | | Replacement (non dated) Braided | 115.00 set |
| 7559 | 75-77 | H.E.I. Spark Plug Wire Set - CORRECT . | 65.00 set |
| 7560 | 78-82 | H.E.I. Spark Plug Wire Set - CORRECT . | 65.00 set |
| 10185 | 68-71 | Temperature Sending Unit | 22.00 ea |
| 10186 | 72-78 | Temperature Sending Unit | 22.00 ea |
| 7613 | 68-69 | Temp. Wire Insulation - Correct Size | 2.50 ea |
| 10580 | 68-71 | Temp Sending Unit Lead Repair Kit - includes loom, wire, terminal and connector | 12.00 kit |
| 1132 | 70-82 | Temp. Wire Insulation | 3.00 ea |
| 3575 | 68 | Voltage Regulator - Delco | 48.00 ea |
| 10097 | 68 | Voltage Regulator - Non Delco | 34.00 ea |
| 7806 | 69-82 | Voltage Regulator (internal) | 17.00 ea |
| 3661 | 68-74 | Ignition Coil (exc TI) - US Made Repl | 32.50 ea |
| 10344 | 82 | Spark Control Module | 39.95 ea |
| 7587 | 68 | Voltage Regulator Mtg. Kit | 6.50 kit |

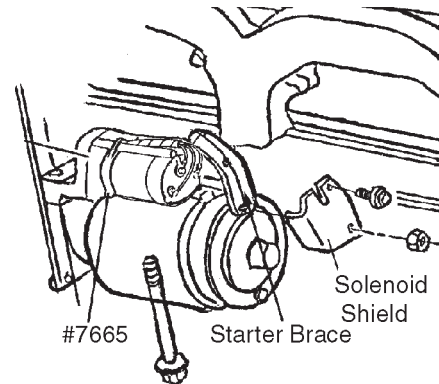


HORNS

Horns

| | | | |
|-------------|--------------|--|------------------|
| 10404 | 68-82 | Horns - Replacements (Delco Look-a-Like) with Universal Brackets | 99.00 pr |
| 2975 | 68-82 | Horn - Note "C" Replacement (often used for anti-theft horn) | 35.00 ea |
| 3120 | 68-75 | Horn Repair Kit - includes rivets, gaskets, and diaphragms for 2 original horns | 36.00 kit |

Capacitors - See Radio Section
Radio Ground Strap Sets - See RADIO Section

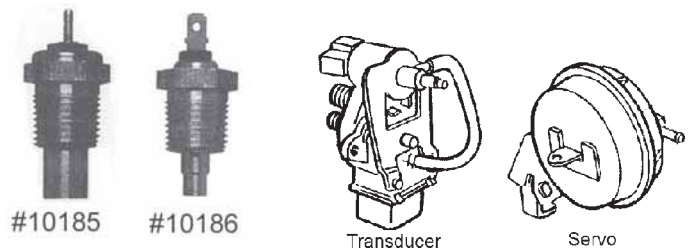


Starter Related

| | | | |
|------|-------|--|----------|
| 7661 | 68-69 | Starter Motor Brace 327 & 350 | 13.00 ea |
| 7115 | 70-82 | Starter Motor Brace - 350 | 5.00 ea |
| 7662 | 68-74 | Starter Motor Brace 427 & 454 | 11.00 ea |
| 1025 | 68 | Starter Solenoid Shield - Small Block | 8.00 ea |
| 7116 | 69-74 | Starter Solenoid Shield - Small Block | 11.00 ea |
| 7117 | 75-82 | Starter Solenoid Shield - Small Block | 11.00 ea |
| 7871 | 68-74 | S.S. Starter Solenoid Shield w/427 or 454 .. | 27.00 ea |
| 7872 | 68-74 | Starter Solenoid Shield (#7871) Retainer Nut | 6.00 ea |
| 7665 | 68-82 | Battery Cable to Starter Solenoid Clamp .. | 16.00 ea |
| 5166 | 68-71 | Ground Cable Starter Motor to Frame | 19.00 ea |
| 5167 | 72-82 | Ground Cable Starter Motor to Frame | 19.00 ea |

Cruise Control Transducers & Servos

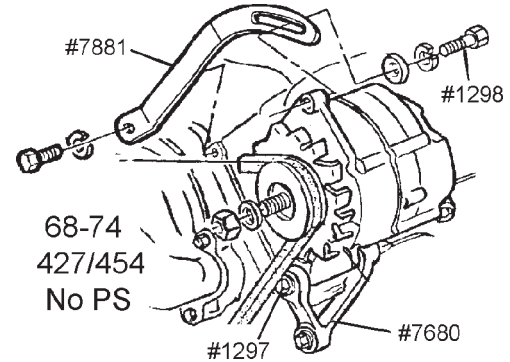
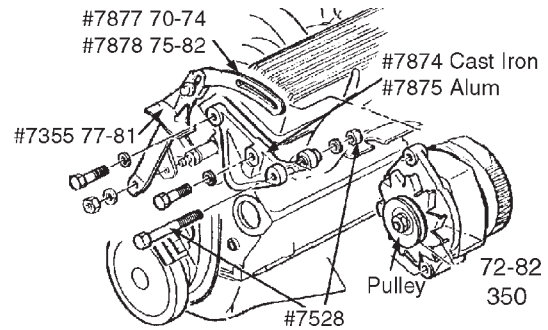
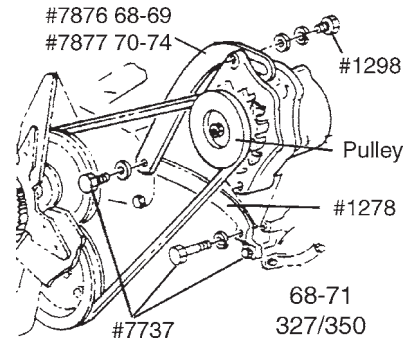
| | | | |
|---|--------|---|-----------|
| 7607 | 77-80 | Cruise Control Transducer - Rebuilt | 99.00 ea |
| 7608 | 81-82 | Cruise Control Transducer - Rebuilt | 99.00 ea |
| CORE CHARGE on Transducers \$20.00 Refundable Upon Core Return | | | |
| 1 Year Warranty on above Transducers | | | |
| 9945 | 77 | Cruise Control Servo | 119.00 ea |
| 9946 | 78-79E | Cruise Control Servo (Metal) | 119.00 ea |
| 9947 | 79L-81 | Cruise Control Servo (Plastic) | 52.00 ea |



ENGINE COMPARTMENT (continued)

Alternator Pulleys - ALL

| | | | |
|------|-------|--|----------|
| 1587 | 68-71 | Alternator Pulley - Zinc Plated - Fits: 68-71 w/427-454 and Power Steering | 39.00 ea |
| 7692 | 68-69 | Alternator Pulley - Zinc Plated - Fits: 68 327 w/SpHiper & Hyd Lifters (350HP) 68-69 427 390-400HP exc P.S. & No Air | 40.00 ea |
| 7693 | 68-72 | Alternator Pulley - Zinc Plated - Fits: 68 350HP or 68-70 427-454 w/Air or 70 454 exc Air or 70-72 LT-1 or 71 454 exc Air & P.S. or 72 454 All exc P.S. | 35.00 ea |
| 7694 | 68-72 | Alternator Pulley - Zinc Plated - fits: 68-71 427-454 w/Air & P.S. or 72 All 454 w/P.S. | 35.00 ea |
| 7356 | 68-82 | Gen or Alt Pulley Washer | 2.50 ea |
| 7357 | 68-82 | Gen or Alt Pulley Nut | 6.50 ea |



327/350 Alternator Brackets & Related

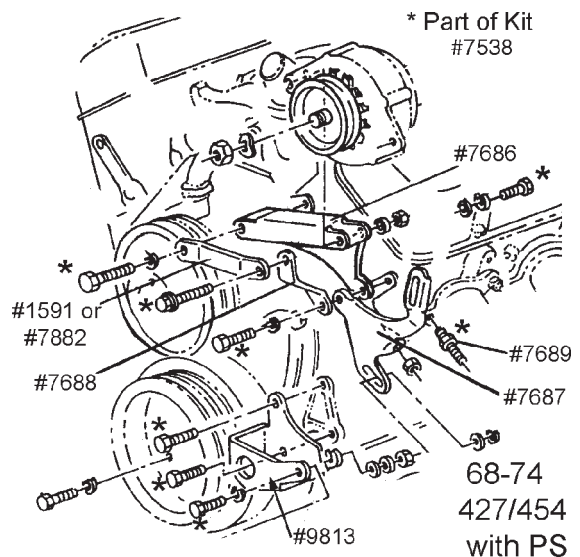
| | | | |
|-------------|--------------|--|-----------------|
| 1278 | 68-71 | 327/350 Alternator Support Bracket | 15.00 ea |
| 7737 | 68-71 | 327/350 Alt. Pivot Support Bracket Bolt Kit (3 pcs w/washers) | 7.00 kit |
| 7874 | 72-82 | 350 Alt. Support Bracket - Cast Iron | 73.00 ea |
| 7875 | 72-82 | 350 Alt. Support Bracket - Cast Alum | 90.50 ea |
| 7528 | 72-82 | Alternator Mount Pivot Bolt w/Nut | 5.00 ea |
| 7876 | 68-69 | 350 Alt. Adjusting Brace | 32.50 ea |
| 7877 | 70-74 | 350 Alt. Adjusting Brace | 23.00 ea |
| 7878 | 75-82 | 350 Alt. Adjusting Brace (exc. 70 AMP) | 10.50 ea |
| 1298 | 68-78 | Alt. Adjusting Brace "WB" Bolt Kit | 1.75 ea |
| 1299 | 72-82 | Alt. Bracket Mounting Sleeve | 3.00 ea |
| 7355 | 77-81 | Alternator Belt Guide | 9.00 ea |

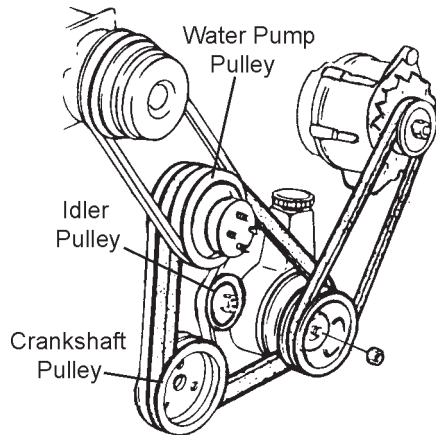
Big Block Alternator Brackets exc. Power Steering

| | | | |
|-------------|--------------|--|-----------------|
| 7680 | 68-74 | 427 Alt. Mounting Bracket exc. P.S. | 58.50 ea |
| 7881 | 68-74 | 427/454 Alt. Adjusting Brace exc PS | 20.50 ea |
| 1298 | 68-78 | Alt Adjusting Brace "WB" Bolt Kit | 1.75 ea |
| 1297 | 68-74 | Long "TR" Bolt, Washer & Nut (for #7680).. | 4.50 set |
| 7735 | 68-74 | 427/454 Alternator Mount "TR" Bolt Kit (4 pcs) except PS (long bolt in kit is not "TR") | 7.00 kit |

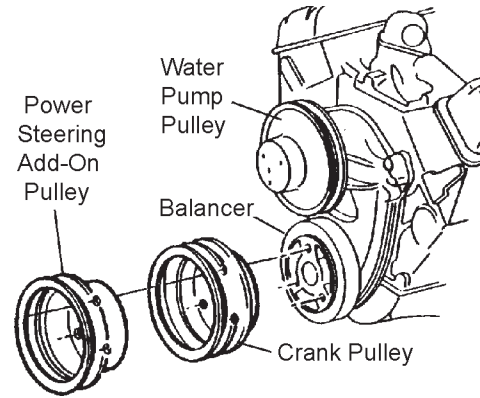
Big Block Alternator Brackets with Power Steering

| | | | |
|------|-------|--|---------------|
| 7530 | 68-69 | 427 P.S. and Alternator Bracket Kit (#9813, 7686, 7687, 7688, 1591 and 7538) | 179.00 kit ND |
| 7531 | 70-74 | 454 P.S. and Alternator Bracket Kit (#9813, 7686, 7687, 7688, 7882 and 7538) | 179.00 kit ND |
| 7538 | 68-74 | 427/454 Alternator & P.S. Bracket Bolt Kit (23 pcs) includes bolts and stud for alternator bracket to head and P.S. bracket to block | 17.00 kit |
| 7686 | 68-74 | Alt. Mounting Bracket 427, 454 w/P.S. | 52.00 ea |
| 7687 | 68-74 | Alt. Adjusting and P.S. Pump Mount Bracket | 64.00 ea |
| 7688 | 68-74 | Alt. Mount Brace Lower | 14.00 ea |
| 1591 | 68-69 | Alt. Mount Brace Upper | 14.00 ea |
| 7882 | 70-74 | Alt. Adjusting Brace Upper | 10.00 ea |
| 9813 | 68-74 | P.S. Pump Mounting Bracket to Block | 47.00 ea |
| 7689 | 68-74 | Stud, P.S. & Alt. Adjusting Bracket to Exhaust Manifold. | 4.50 ea |





Timing Cover



Crankshaft Balancers & Lower Pulleys

| | | | |
|------|--------|--|--------------|
| 7619 | 68-80 | 327/350 Crankshaft Lower Pulley 2 Groove 6 5/8" Dia. - GM Repl - Fits: 68 327 SpHiPer exc AC 69-73 350 w/HiPer, SpHiPer exc AC. H.D. and 4sp 70-80 350 exc AC | 43.00 ea |
| 7582 | 68 | 327 Crankshaft Lower Pulley 2 Groove 6 5/8" Dia. - (68 1st Design exc AC, HiPer and SpHiPer | 41.50 ea |
| 7617 | 68 | 327 Crankshaft Lwr Pulley, 2 Groove 327 HiPer exc AC #987 | 114.00 ea ND |
| 7583 | 68-74 | 327/350 Crank Pulley - 2 Groove PS Add-On | 42.75 ea |
| 7585 | 68-69E | 427 Crankshaft Lwr Pulley, 2 Groove Cast Iron | 149.50 ea |
| 7589 | 68-74 | 427, 454 Crankshaft Lower Pulley, 2 Deep Groove 6 5/8" Dia. (repl for 74 w/Air) | 43.50 ea |
| 7929 | 75-82 | Lower Crankshaft Pulley - 2 Groove (75-80 w/Air, 81-82 All) | 47.00 ea |
| 7930 | 75-82 | Lower Crankshaft Pulley - 1 Groove P.S. Add-On | 40.75 ea |
| 7618 | 68 | 327 Crankshaft Balancer Pulley Bolts (3) "E" Headmark | 7.00 set |
| 7521 | 68-69E | 427 Crank Balancer Pulley Bolts | 6.00 set |
| 7522 | 69L-74 | 427/454 Crank Balancer Pulley Bolts | 6.50 set |
| 7579 | 68 | 327 Crank Balancer - 300 HP | 65.00 ea |
| 7570 | 68 | 327 Crank Balancer - 350HP Repl | 112.50 ea |
| 7571 | 68 | 327 Crankshaft Balancer - 350HP Finned - CORRECT | 339.00 ea ND |
| 7935 | 69-80 | 350 w/HiPer & SpHiPer Crank Balancer .. | 105.00 ea |
| 7936 | 69-71 | 350 exc HiPer & SpHiPer Crank Balancer | 119.00 ea |
| 7945 | 72-82 | Crank Balancer (72-80 350 exc HiPer 81-82 All) | 139.00 ea |
| 7580 | 68-69 | Crankshaft Balancer 427 w/390-400 HP . | 295.00 ea |
| 7581 | 68-69 | Crankshaft Balancer 427 w/425- 435 HP | 168.50 ea |
| 7957 | 70-72 | 454 Crank Balancer | 200.00 ea |
| 7958 | 73-74 | 454 Crank Balancer | 129.00 ea |
| 8676 | 68-82 | Balancer Bolt Kit 327 & 350 w/SpHiPer for crank with threaded end) | 9.00 kit |
| 8677 | 68-74 | Balancer Bolt Kit 427/454 | 10.00 kit |

Idler Pulleys

| | | | |
|------|-------|---|-----------|
| 7430 | 68-74 | Idler Pulley w/Brkt w/427-454 & w/Air. | 135.00 ea |
| 7431 | 68-74 | Idler Pulley Stud | 13.00 ea |
| 8575 | 68-74 | Idler Pulley Installation Kit w/PS | 15.00 kit |
| 8576 | 68-74 | Idler Pulley Installation Kit w/o PS | 17.00 kit |

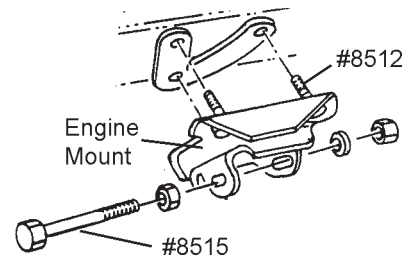
Water Pump Pulleys

| | | | |
|------|-------|---|-----------|
| 7624 | 68-70 | 427/454 Water Pump Pulley 3 Groove with Air (5 1/2" O.D.) Replacement Style | 200.00 ea |
| 7651 | 71-74 | 454 Water Pump Pulley - 3 Groove 71-73 all 454, 74 454 w/Air (5 1/2" O.D.) Replacement Style | 200.00 ea |
| 7612 | 68 | 327 Water Pump Pulley 2 Deep Groove 7 1/8" #245 (68 327 w/HiPer exc AC) ... | 89.75 ea |
| 7609 | 68-70 | Water Pump Pulley 2 Deep Groove 68-70 427/454, 68 300 HP exc AC, 69-70 350 Base Engine exc AC | 64.50 ea |
| 7623 | 68 | 427 Water Pump Pulley 2 Deep Groove exc AC | DISC |
| 1074 | 68 | Water Pump Pulley Reinforcement | 7.00 ea |
| 7895 | 75-82 | Water Pump Pulley 6 1/4" diameter 2 Groove 75-77 w/Air, 78-80 L-48, 81-82 All | 59.00 ea |

Water Pumps & Fittings - See COOLING Section

Timing Covers, Tabs & Gaskets

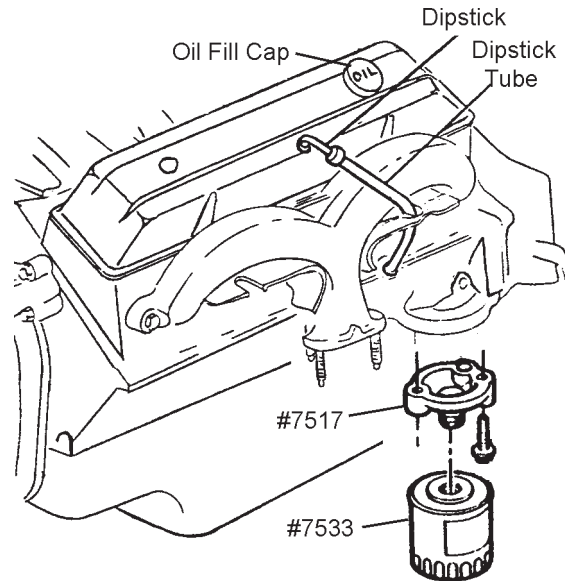
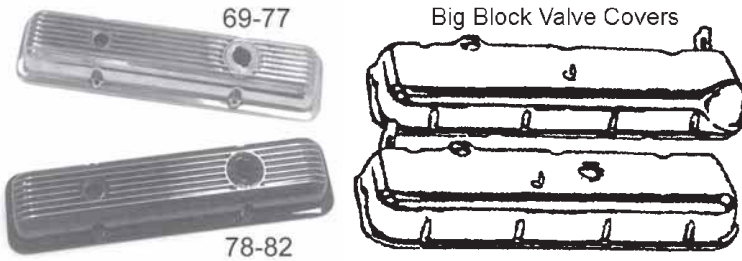
| | | | |
|------|-------|---|-----------|
| 7757 | 68 | 350HP Timing Cover w/Tab | 53.00 ea |
| 7761 | 68-69 | 427 Timing Cover (390-400HP) | 68.00 ea |
| 7762 | 68-69 | 427 Timing Cover (430-435HP) | 68.00 ea |
| 7574 | 68-69 | Timing Cover Tab Only - Fits: 68-69 427, 68-69 327-350 w/SpHiPer | 19.00 ea |
| 7575 | 68-74 | 427, 454 Timing Cover - GM Repl | 41.50 ea |
| 7539 | 68-82 | 327/350 Timing Cover Bolt Set (10) | 8.00 set |
| 7578 | 68-74 | 427, 454 Timing Cover Bolt Set (10) | 8.00 set |
| 7568 | 68-82 | 327, 350 Timing Cover Gasket & Seal Kit | 16.00 kit |
| 7577 | 68-74 | 427, 454 Timing Cover Gasket & Seal Kit | 20.00 kit |



Engine Mounts and Miscellaneous

| | | | |
|------|-------|---|----------|
| 1103 | 68-69 | Engine Mount, Non-Locking (Correct) | 25.00 ea |
| 1050 | 68-69 | Engine Mount, Non-Locking - Repl Type ... | 15.00 ea |
| 1104 | 70-82 | Engine Mount, Locking Type | 17.00 ea |
| 8515 | 68-82 | Engine Mount to Frame Bolt Set | 3.50 set |
| 8512 | 68-82 | Engine Mount to Engine Bolt Set (6) | 8.00 set |
| 3195 | 68-74 | 90 Degree Water Pump By-Pass Hose w/427, 454 | 6.00 ea |

Oil System

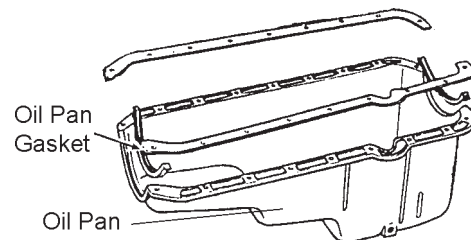


| | | | |
|---|--------|---|-----------|
| 1122 | 69-77 | Finned Aluminum Valve Cover - Polished LT-1 & L-82 - Lt | 119.00 ea |
| 1123 | 69-77 | Finned Aluminum Valve Cover - Polished LT-1 & L-82 - Rt | 119.00 ea |
| 4626 | 69-82 | Valve Cover Emblem - Rt | 6.00 ea |
| 1125 | 78-82 | Finned Aluminum Valve Cover - Black L-82, Lt | 129.00 ea |
| 1126 | 78-82 | Finned Aluminum Valve Cover - Black L-82, Rt | 129.00 ea |
| 7513 | 68E | 427 Chrome Valve Covers (Correct) | 449.00 pr |
| #7513 and #7514 are for cars built from Sept. thru Dec. 1967 | | | |
| 7515 | 68L-69 | 427 Chrome Valve Covers (Correct) | 449.00 pr |
| #7515 and #7516 are for cars built after Dec. 1967 | | | |
| 7510 | 70-71E | 454 Chrome Valve Covers w/Drippers (71 454 Chrome Valve Covers were optional to serial #3000) Correct | 449.00 pr |
| 7511 | 71L | 454 Valve Covers w/Drippers - Natural Steel (must be painted) Correct | 329.00 pr |
| 7512 | 72-74 | 454 Valve Covers w/Drippers - Natural Steel (must be painted) Correct | 329.00 pr |
| 7519 | 68-74 | 427/454 Chrome Valve Covers - NO Drippers w/Power Brake Slant - Replacement | 69.95 pr |
| 7697 | 68-74 | 427/454 Chrome Valve Covers w/Drippers but w/o Power Brake Slant Replacement | 119.00 pr |
| 7698 | 68-74 | 427/454 Chrome Valve Covers w/Drippers and w/Power Brake Slant Replacement | 119.00 pr |
| 7595 | 68-80 | Small Block Valve Cover Gaskets - Correct Rubberized Cork | 14.00 pr |
| 7699 | 65-74 | Big Block Valve Cover Gaskets - coated w/silver sealant per judging standards | 20.00 pr |

Valve Cover Bolts & Reinforcements

| | | | |
|------|-------|--|-----------|
| 8930 | 68-82 | 327/350 Aluminum Valve Cover Bolts, Repl. (8) - Hex Head | 4.00 set |
| 8742 | 68 | 327 Aluminum Valve Cover Bolts w/Correct "M" Head Markings (8) | 8.50 set |
| 8931 | 68-79 | 327/350 Steel Valve Cover Bolts, Repl (8) - Hex Head | 3.50 set |
| 8747 | 68-72 | 327/350 Steel Valve Cover Bolts, w/Correct "RBW" Head Mark (8) | 9.00 set |
| 8932 | 68-78 | 327/350 Reinforcements for Valve Cover Bolts (8) | 6.50 set |
| 8902 | 68-69 | 427 Steel Valve Cover Bolts w/Replacement "TR" Head Mark (14) | 8.00 set |
| 8933 | 68-74 | 427/454 Valve Cover Bolts - Hex Head Repl. (14) | 4.50 set |
| 8934 | 68-74 | 427/454 Reinforcements for Valve Cover Bolts (14) | 12.00 set |

| | | | |
|------|--------|---|----------|
| 7600 | 68 | Oil Filler Tube - (All Small Block) - Black | 32.00 ea |
| 7691 | 68 | Cap, Oil Filler Tube 327 exc. SpHiPer with Correct "S" Rivet (Black finish varies to dark green) | 8.00 ea |
| 1038 | 68 | Cap, Oil Filler Tube 327 w/SpHiPer with Correct "S" Rivet - Chrome | 9.00 ea |
| 7532 | 68-70 | Oil Fill Cap on Valve Cover with Correct "S" Rivet - Chrome --- Fits: 68-70 427, 454 69 350 HP 70 350 HP and LT-1 | 15.00 ea |
| 1022 | 69-81 | Chrome Oil Fill Cap - Twist In Repl | 12.00 ea |
| 1021 | 71-74 | Rubber Push-In Oil Fill Cap (71-72 350 and 71-74 454) Correct | 4.00 ea |
| 7517 | 68-82 | Oil Filter Adapter Valve Assembly | 35.50 ea |
| 7533 | 68-72 | Oil Filter PF-25, White w/Red & Blue Silk Screen as Original (Correct) | 27.00 ea |
| 7653 | 68-74 | Oil Dipstick All 327/350 - Black | 19.00 ea |
| 7666 | 68-74 | Oil Dipstick All 327/350 - Chrome (Replacement) | 21.00 ea |
| 7658 | 68-74 | Tube, Oil Dipstick - Small Block (Correct) | 8.00 ea |
| 3831 | 68-74 | Tube, Oil Dipstick w/327/350 - Chrome (Replacement) | 13.00 ea |
| 7669 | 68-79 | Lower Oil Dipstick Tube (in Block) for Small Block | 6.00 ea |
| 7667 | 68-69 | Oil Dipstick All 427, Includes White Button | 17.00 ea |
| 7659 | 68-69 | 427, 454 Tube, Oil Dipstick (Correct) | 17.00 ea |
| 7840 | 70-74 | 454 Oil Dipstick | 12.00 ea |
| 7841 | 70-74 | 454 Tube, Oil Dipstick | 23.00 ea |
| 7593 | 75-76E | Oil Dipstick (17 5/16" from cap to full mark) | 11.00 ea |
| 7695 | 75-76E | Oil Dipstick Tube (6 1/2" from shoulder to top of tube) | 16.00 ea |
| 7594 | 76L-79 | Oil Dipstick (20" from cap to full mark) | 10.00 ea |
| 7696 | 76L-79 | Oil Dipstick Tube (8 3/4" from shoulder to top of tube) | .DISC |
| 7701 | 80-82 | Oil Dipstick | .DISC |
| 7565 | 80-81 | Oil Dipstick Tube | 30.00 ea |



Oil System (continued)

| | | | |
|------|-------|--|-----------|
| 7842 | 68-74 | 327/350 Oil Pan (68-72 exc Hiper, 73-74 all) . . .CALL | |
| 7843 | 69-72 | 350 Oil Pan - All w/SpHiPer (5 Qt) DISC | |
| 7912 | 75-79 | L-48 Oil Pan - GM | 145.00 ea |
| 7905 | 76-79 | Oil Pan Baffle | 32.00 ea |
| 7844 | 68-74 | 427-454 Oil Pan - with correct reinforcements (6 Qt) | 169.00 ea |
| 7870 | 68-74 | 427/454 Oil Pan Reinforcements -correct | 22.00 set |
| 7588 | 68-70 | Oil Pan Plug w/Correct 7/8" Hex Head | 5.00 ea |
| 7604 | 68-82 | Oil Pan Plug Gasket - Nylon | 1.25 ea |
| 7642 | 68-82 | 327, 350 Oil Pan "L" Bolt Set (18 pcs) | 13.00 set |
| 7562 | 68-74 | 427, 454 Oil Pan "L" Bolt Set (24 pcs) | 14.00 set |
| 7847 | 68-74 | 327, 350 Oil Pan Gasket Set | 15.00 set |
| 7925 | 75-79 | 350 Oil Pan Gasket Set | 21.50 set |
| 7926 | 80-82 | Oil Pan Gasket Set | 23.00 set |
| 7848 | 68-74 | 427, 454 Oil Pan Gasket Set | 17.00 set |
| 7879 | 68-82 | 327/350 Oil Pick-up w/Screen (exc 76-79) | 17.00 ea |
| 7880 | 76-79 | 350 Oil Pick-up w/Screen | 17.00 ea |
| 7884 | 68-74 | 427/454 Oil Pick-up w/Screen | 39.75 ea |
| 7586 | 68-82 | Magnetic Oil Drain Plug | 8.00 ea |
| 7850 | 68-73 | Oil Line Kit - Plastic (68 All, 69-73 350) use with fitting #7910 | 8.00 ea |
| 7910 | 68-73 | Oil Line Fitting (68-73 Sm Blk into intake) (68 Big Blk into adapter) | 8.00 ea |
| 7763 | 68 | Big Block Adapter Fitting 1/2" x 1/8" NPT | 7.00 ea |
| 7851 | 69-73 | Oil Line Assembly - metal and plastic lines w/fitting 427/454 | 27.00 ea |
| 7852 | 69-73 | Oil Pressure Line Brass Elbow 45 Degree Angle to Engine Block 427, 454 (exc. 69 3 x 2) | 18.00 ea |
| 7911 | 69-73 | Oil Line Bracket 427/454 - bolts to cylinder head | 9.00 ea |
| 7443 | 68-74 | Oil Line Grommet (4 hole) | 6.00 ea |



Tie Straps

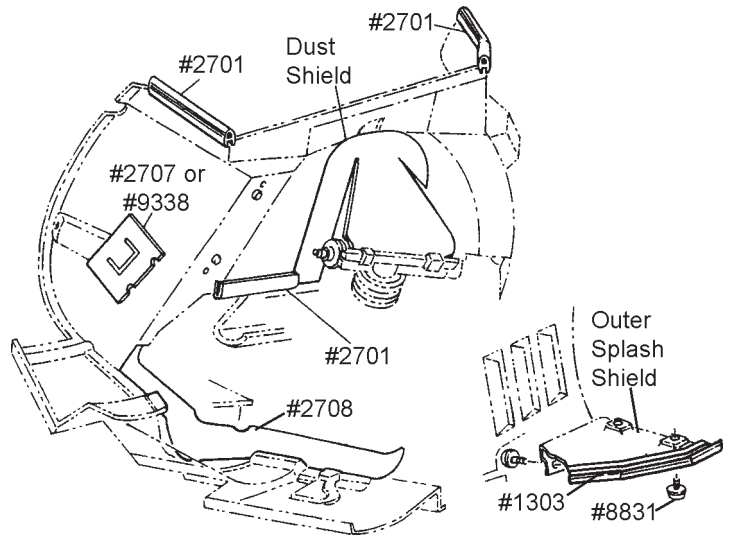
| | | | |
|------|-------|---|---------|
| 1918 | 68-74 | Black 5" Tie Strap (used on headlight and wiper vacuum hoses) | 1.50 ea |
| 1906 | 68-82 | Black 7" Tie Strap (used on headlight and wiper vacuum hoses, PCV, etc) | 1.50 ea |
| 1912 | 68-73 | 3 3/4" Push-In Style Tie Straps (expansion tank hoses) | 1.50 ea |



Engine Compartment Seal Kits

Include A-arm dust shields, upper & lower fender seals, splash pan, front bumper brace, wiper motor, etc as required.

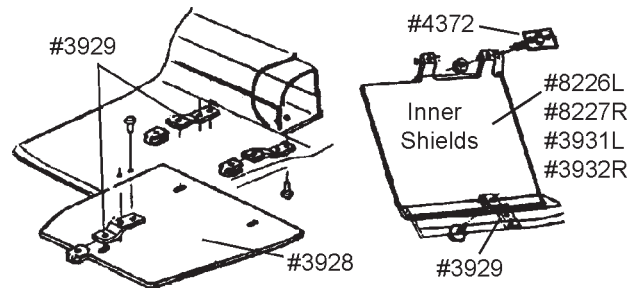
| | | | |
|------|-------|-----------------------------|-----------|
| 7825 | 68E | Seal Kit (15 pcs) | 49.00 kit |
| 7826 | 68L | Seal Kit (15 pcs) | 49.00 kit |
| 7827 | 69-72 | Seal Kit (16 pcs) | 49.00 kit |
| 7828 | 73-75 | Seal Kit (15 pcs) | 45.00 kit |
| 7829 | 76-79 | Seal Kit (13 pcs) | 39.00 kit |
| 7830 | 80-82 | Seal Kit (13 pcs) | 35.00 kit |



Splash Shields, Dust Shields & Seals

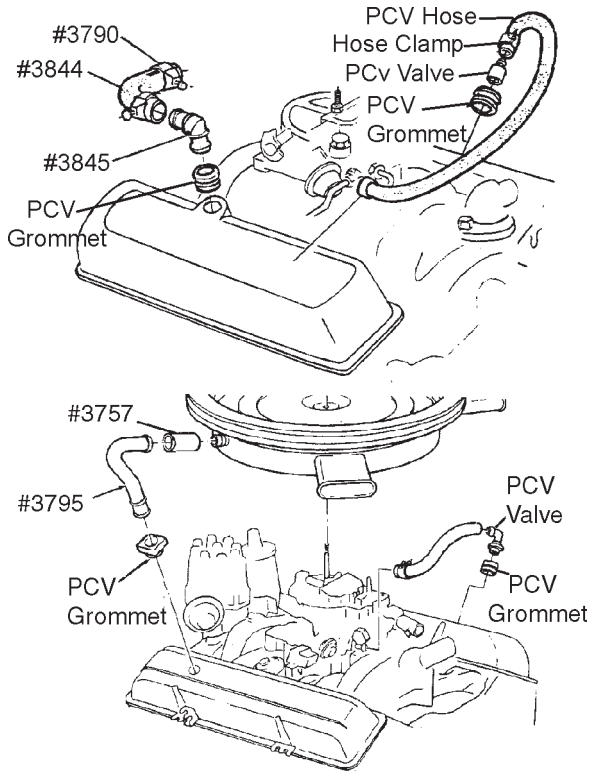
| | | | |
|------|---------|--|-----------|
| 3930 | 68E | Inner Splash Shields Lt or Rt (2 req) | 17.00 ea |
| 3929 | 68E-75 | Inner Splash Shield Strap (1 req per side) | 9.00 ea |
| 8824 | 68 | Inner Splash Shield Bolt Set (8 pcs) | 5.00 set |
| 8226 | 68L-69E | Inner Splash Shield - Lt (plastic) | 24.00 ea |
| 8227 | 68L-69E | Inner Splash Shield - Rt (plastic) | 24.00 ea |
| 3931 | 69L-75 | Inner Splash Shield - Lt | 22.00 ea |
| 3932 | 69L-75 | Inner Splash Shield - Rt (exc. Air) | 22.00 ea |
| 3909 | 69L-72 | Inner Splash Shield - Rt (with Air) | 22.00 ea |
| 1181 | 68-79 | Outer Splash Shield - Lt (68-69 Repl) | 22.00 ea |
| 1182 | 68-79 | Outer Splash Shield - Rt | 22.00 ea |
| 8831 | 68-79 | Fender Outer Splash Shield Bolts (8) | 6.50 set |
| 4372 | 68-82 | Stud Plate T-Bolt Fastener - Splash Shield | 6.50 ea |
| 3928 | 68L-69E | Underbody Heat Shields -Lt or Rt | 16.00 ea |
| 3929 | 68-69 | Underbody Heat Shield Bracket (strap) | 9.00 ea |
| 1165 | 68E | Dust Shields on Inner Fender - Staple On | 12.00 pr |
| 1183 | 68L-82 | Dust Shields on Inner Fender w/Pins | 12.00 pr |
| 1189 | All | 25 S.S.Staples (for Dust Shields, etc) | 3.00 set |
| 2701 | 68-82 | Upper & Lower Inner Fender Seals (6 pcs) | 20.00 set |
| 1303 | 68-79 | Splash Pan Edge Seals | 8.50 pr |
| 2707 | 68-72 | Front Bumper Brace Seals | 8.50 pr |
| 9338 | 73-79 | Front Bumper Brace Seals | 7.50 pr |
| 2708 | 68-72 | Lower Grill/Baffle Panel Seal | 16.00 ea |
| 1261 | 68-81 | Clutch Rod Boot on Firewall | 14.00 ea |
| 7443 | 68-74 | Tach Cable Grommet 4 Hole (also carries oil pressure line, back-up wires, power window and auto trans wires) | 6.00 ea |

See Shifter & Transmission Section for Underbody Heat Shields & Insulation



ENGINE COMPARTMENT (continued)

PCV System

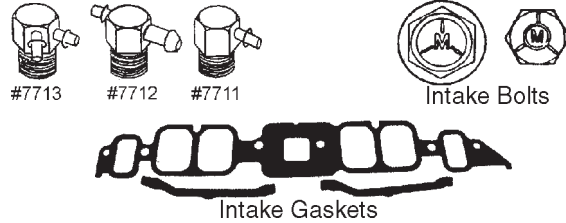


PCV System

| | | | |
|------|-------|--|----------|
| 3786 | 68-74 | Vent Tube Grommet w/1" I.D. - Fits: 68-69 L.H. Valve Cover 427 w/3 x 2 68-74 R.H. Valve Cover 427, 454, all except 3 x 2 | 3.00 ea |
| 7885 | 68-81 | PCV Valve Cover Grommet All w/427, 454 .. | 3.00 ea |
| 7886 | 68-81 | PCV & Crankcase Vent Tube Grommet, all 327, 350 Base Engine and Steel Valve Covers 68-70 LH & RH 71-81 RH. | 4.00 ea |
| 7887 | 71-81 | PCV Valve Cover Grommet All w/350 Base Engine and Steel Valve Covers - Angled L.H. | 3.00 ea |
| 7888 | 69-82 | PCV Valve Cover Grommet - Fits: 69-74 w/SpHiPer 350 & Alum. Valve Covers (2 per engine) 1 for PCV Valve L.H. and 1 for Vent Tube R.H. 75-82 w/SpHiPer 350 & Alum. Valve Covers - 1 for R.H. Vent Tube. | 3.00 ea |
| 7889 | 75-82 | PCV Valve Cover Grommet w/SpHiPer 350 & Alum. Valve Cover (use 1 for L.H. PCV Valve) | 3.00 ea |
| 7733 | 68-72 | PCV Valve - 68 3x2, 69-72 350 exc LT-1 | 6.50 ea |
| 7890 | 68-73 | PCV Valve - Fits: 68-70 427-454 w/H.D. , 70-72 LT-1, 73 350 w/SpHiPer & 454 w/SpHiPer | 10.00 ea |
| 3842 | 68-72 | PCV Hose - with Molded End 23" long cut to length (exc 3X2) | 12.00 ea |
| 3846 | 68-69 | PCV Hose 427 w/3 x 2 Right Side | 8.50 ea |
| 7743 | 68-69 | PCV Hose Clamp - Black | 1.00 ea |
| 3796 | 68-74 | Elbow from Valve Cover to Air Cleaner 427 exc 3X2, 68-69 3X2 LH, 70-74 454 ... | 12.00 ea |

| | | | |
|------|-------|--|----------|
| 3783 | 68-69 | 427 Air Cleaner Hose w/3 x 2 | 15.00 ea |
| 3754 | 68-72 | 427, 454 Air Cleaner Hose exc. 3 x 2 | 11.50 ea |
| 3844 | 68-72 | 327, 350 Air Cleaner to Valve Cover Hose ALL | 15.50 ea |
| 3790 | 68-72 | Crankcase Vent Tube Hose Clamps | 8.50 pr |
| 3845 | 68-72 | Elbow 327/350 Crankcase Vent Tube from Valve Cover to Air Cleaner | 8.75 ea |
| 3795 | 73-75 | 350 Crankcase Vent Tube | 17.00 ea |
| 3757 | 73-81 | Hose - Crankcase Vent Tube to Air Cleaner 2" long 3/4" I.D. - GM Logo | 3.75 ea |

See also AIR CLEANER & CARBURETOR Sections.



Intake Manifold Related

| | | | |
|------|-------|---|-----------|
| 7753 | 68-70 | 327-350 Intake Manifold Bolt Set "M" Zinc | 17.00 set |
| 8767 | 71-82 | 350 Intake Manifold Bolt Set "M" | 22.00 set |
| 7756 | 68 | All w/ Aluminum Intake Manifold Bolt Set "FP" Zinc | 16.00 set |
| 8764 | 68-74 | 427/454 Intake Manifold Bolt Set "M" Zinc .. | 17.00 set |
| 7897 | 68-71 | 427/454 Intake Manifold Bolt Set "A" Zinc .. | 18.00 set |
| 6885 | 68 | Intake Manifold Gasket Set - Small Block .. | 22.00 set |
| 7747 | 68-72 | Intake Manifold Gasket Set 427 exc SpHiPer Oval Port | 21.00 set |
| 7748 | 68-71 | Intake Manifold Gasket Set 427 - Square Port w/HiPer | 27.00 set |
| 7751 | 69-72 | Intake Manifold Gasket Set - 350 | 22.00 set |
| 7752 | 73-81 | Intake Manifold Gasket Set - 350 | 14.50 set |
| 7711 | 68-72 | 327/350 (exc Auto) Intake Manifold Fitting .. | 13.00 ea |
| 7712 | 69 | 350 w/PB Intake Manifold Fitting | 13.00 ea |
| 7713 | 68-69 | Intake Manifold Fitting (68-69 390HP w/AC, 68-69 327/350 w/AC or Auto) | 13.00 ea |
| 7714 | 68-69 | Intake Manifold Fitting (68-69 390HP w/AC & PB, 68 327 w/PB & Auto) | 17.00 ea |
| 3841 | 68-69 | 427 Water Pump & Intake Manifold By-Pass Pipe - Press in Type (2 req) | 5.50 ea |
| 3169 | 68-69 | Water Outlet Spacer on Intake Manifold Aluminum 427 L-88 | 29.00 ea |

Exhaust Manifold Bolts -See EXHAUST Section

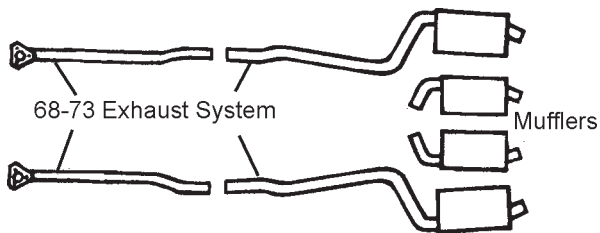


Fuel Vapor
Cannister

Vapor Canisters

| | | | |
|------|-------|---|----------|
| 8380 | 70-73 | Fuel Vapor Canister (70 exc SpHiPer) | 58.00 ea |
| 8381 | 74-77 | Fuel Vapor Canister | 71.50 ea |
| 8382 | 78-80 | Fuel Vapor Canister (80 L-48 only) | 83.50 ea |
| 8383 | 80-81 | Fuel Vapor Canister (80 L-82 and 81 All) .. | 84.50 ea |
| 8384 | 82 | Fuel Vapor Canister | 70.00 ea |

EXHAUST



68-74 Aluminized Carbon Steel System w/Mufflers

All Systems include Pipes, Flanges, Sleeves, Donut Gaskets, Clamps, and Mufflers (68-73 systems come with muffler welded to secondary pipe as it was originally) 1968-72 and 74 systems include **OVAL HIDEAWAY** mufflers, 1973 systems include original **ROUND** style mufflers.
Specify Auto(A) or Manual (M)

| | | | |
|-------|-------|----------------------------|---------------|
| 5997_ | 68 | 427 2 1/2" | 324.00 set LD |
| 7131_ | 69 | 427 2 1/2" | 318.00 set LD |
| 6034_ | 69-72 | 350 2" | 318.00 set LD |
| 7132_ | 68-72 | 327/350 HiPer 2" to 2 1/2" | 318.00 set LD |
| 7133_ | 70-72 | 454 2 1/2" | 325.00 set LD |
| 6285_ | 73 | 350 2" | 322.00 set LD |
| 7134_ | 73 | 350 HiPer 2" to 2 1/2" | 329.00 set LD |
| 6286_ | 73 | 454 2 1/2" | 319.00 set LD |
| 6312_ | 74 | 350 2" | 289.00 set LD |
| 6313_ | 74 | L-82 2" to 2 1/2" | 299.00 set LD |
| 6288_ | 74 | 454 2 1/2" | 305.00 set LD |

Magnaflow Performance Exhaust Systems

These aluminized exhaust systems offer the same great fit as our regular systems but with the added performance of Magnaflow Mufflers. Systems include Pipes, Flanges, Sleeve, Donut Gaskets, Clamps and Mufflers. The secondary pipe is not welded to the muffler. See description of Magnaflow Mufflers on this page.

Specify Auto(A) or Manual(M)

| | | | |
|--------|-------|-----------------------------------|---------------|
| 10417_ | 68 | 427 2 1/2" System | 339.00 set LD |
| 10418_ | 69-72 | 350 2" System | 319.00 set LD |
| 10419_ | 68-72 | 327/350 Hiper 2" to 2 1/2" System | 334.00 set LD |
| 10420_ | 70-72 | 454 2 1/2" System | 339.00 set LD |
| 10421_ | 74 | L-82 2" to 2 1/2" System | 339.00 set LD |
| 10422_ | 74 | 454 2 1/2" System | 339.00 set LD |

75-79 Dual Exhaust Conversion

Replace your original exhaust system with a true dual exhaust. Includes pipes, mufflers, flanges, sleeves, donut gaskets and clamps. Auto systems come with hanger kit for under transmission.

Specify Auto(A) or Manual(M)

| | | | |
|--------|-------|--|---------------|
| 6312_ | 75-79 | 2" Dual Exhaust System with Oval Hideaway Mufflers | 289.00 set LD |
| 6313_ | 75-79 | 2" to 2 1/2" Dual Exhaust System with Oval Hideaway Mufflers | 299.00 set LD |
| 10421_ | 75-79 | 2" to 2 1/2" Dual Exhaust System with Magnaflow Mufflers | 339.00 set LD |

Magnaflow Mufflers

The all welded, unrestricted high flow muffler with the straight through design that delivers performance, power and durability, along with a smooth deep tone and clean appearance.

| | | | |
|-------|-------|---------------------------|--------------|
| 10416 | 68-72 | 2" Magnaflow Mufflers | 199.00 pr ND |
| 10257 | 68-72 | 2 1/2" Magnaflow Mufflers | 199.00 pr ND |
| 10258 | 75-78 | 2 1/4" Magnaflow Mufflers | 199.00 pr ND |
| 10259 | 74-78 | 2 1/2" Magnaflow Mufflers | 199.00 pr ND |
| 10260 | 78-82 | 2 1/2" Magnaflow Mufflers | 199.00 pr ND |

Aluminized Mufflers - Oval Hideaway Style - Stock

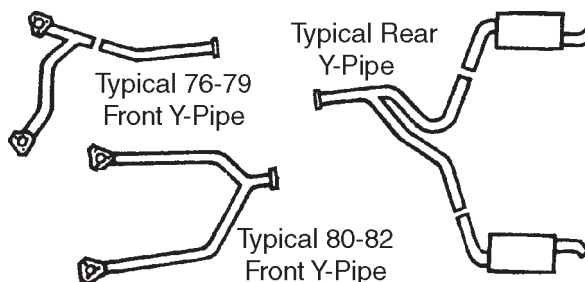
| | | | |
|------|-------|-----------------------|-----------|
| 6065 | 69-72 | 2" Inlet Mufflers | 129.00 pr |
| 6067 | 68-72 | 2 1/2" Inlet Mufflers | 129.00 pr |

73 MUFFLERS are currently available only in the **Original ROUND** style (see below). You can substitute the 68-72 OVAL Mufflers as long as you buy or use the 68-72 muffler hangers and tips.

| | | | |
|------|-------|---|-----------|
| 6073 | 74 | 2" Inlet Mufflers w/350 L-48 | 138.00 pr |
| 6096 | 74 | 2 1/2" Inlet Mufflers 454 or 350 w/L-82 | 138.00 pr |
| 6075 | 75-77 | 2 1/4" Inlet Mufflers | 129.00 pr |
| 5916 | 78 | 2 1/4" Inlet Mufflers, L-48 | 129.00 pr |
| 6077 | 78-82 | 2 1/2" Inlet Mufflers - 78 350 L-82 | |
| | | 79-82 All | 129.00 pr |

Aluminized Mufflers - Correct Round Factory Style

| | | | |
|------|----|---|-----------|
| 6069 | 73 | 2" Inlet Round Mufflers w/350 L-48 | 148.00 pr |
| 6071 | 73 | 2 1/2" Inlet Round Mufflers w/350 L-82 or 454 | 148.00 pr |



75-82 Aluminized Carbon Steel System w/Mufflers

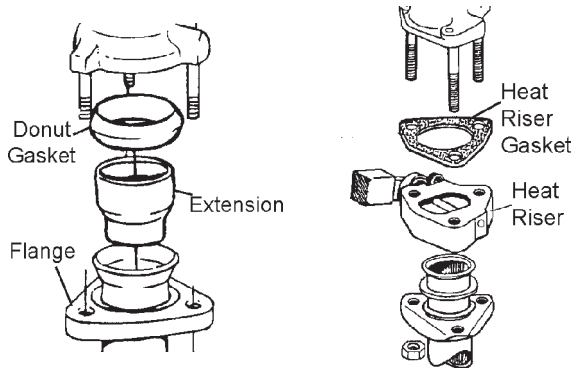
All Systems include Front Y-Pipe, Converter, Rear Y-Pipe, Mufflers, Flanges, Sleeves, Donut Gaskets & Clamps. **1975 Systems come with original style ROUND Mufflers** 1976-1982 Systems come with **OVAL HIDEAWAY Mufflers**.

| | | | |
|-------|----|---|---------------|
| 6289_ | 75 | All Engines - Specify 4sp or Auto with Round Mufflers | 509.00 set LD |
| 6314 | 76 | with A.I.R. Injector Pump | 509.00 set LD |
| 7135 | 76 | without A.I.R. Injector Pump | 509.00 set LD |
| 7136 | 77 | All Engines | 509.00 set LD |
| 6315 | 78 | L-48 | 509.00 set LD |
| 7137 | 78 | L-82 | 509.00 set LD |
| 6290 | 79 | All Engines | 509.00 set LD |
| 5983 | 80 | 350 | 539.00 set LD |
| 7138 | 80 | 305 | 539.00 set LD |
| 6291 | 81 | All Engines | 539.00 set LD |
| 7139 | 82 | All Engines | 539.00 set LD |

Aluminized "Y" Pipes and Custom Fit Converters

| | | | |
|------|-------|---|--------------|
| 5985 | 75-76 | Front "Y" Pipe (75 All, 76 w/A.I.R Pump) | 159.00 ea |
| 5986 | 76-79 | Front "Y" Pipe (76 w/o A.I.R Pump and 77-79 ALL) 2 piece pipe | 159.00 ea |
| 5987 | 80 | Front "Y" Pipe (only with 305 engine) | 189.00 ea |
| 5988 | 80 | Front "Y" Pipe (80 with L-48 and L-82) | 189.00 ea |
| 5981 | 81 | Front "Y" Pipe | 189.00 ea |
| 5989 | 82 | Front "Y" Pipe | 195.00 ea |
| 5914 | 75 | Rear "Y" Pipe | 149.00 ea |
| 6085 | 76-78 | Rear "Y" Pipe 2 1/4" 76-77 All and 78 L-48 | 145.00 ea |
| 6086 | 78-81 | Rear "Y" Pipe 2 1/2" with Heat Shield 78 L-82 and 79-81 All | 159.00 ea |
| 5918 | 82 | Rear "Y" Pipe 2 1/2" | 149.00 ea |
| 5982 | 75 | Free Flow Converter | 149.00 ea ND |
| 6274 | 76-81 | Free Flow Converter | 149.00 ea ND |
| 6275 | 82 | Free Flow Converter | 159.00 ea ND |

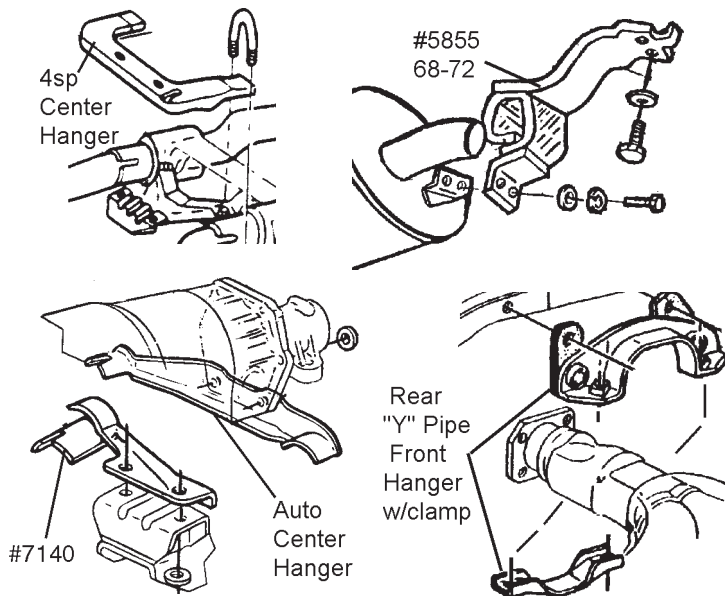
EXHAUST (continued)



Miscellaneous Components

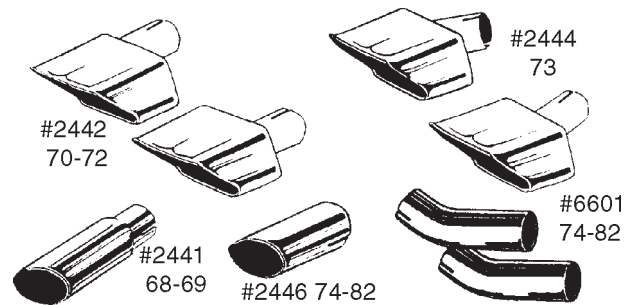
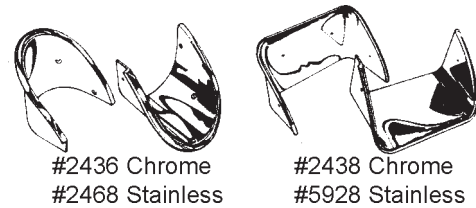
| | | | |
|------|-------|---|----------|
| 3079 | 68-74 | 2" Exhaust Heat Riser Valve | 42.00 ea |
| 3078 | 69 | 427 Exhaust Heat Riser Valve | 51.50 ea |
| 3080 | 68-74 | 2 1/2" Exhaust Heat Riser Valve (exc. 69 427) | 45.00 ea |
| 5638 | 75-79 | Heat Riser Valve | 34.00 ea |
| 3081 | 68-74 | 2" Exhaust Manifold Spacer (can be used in place of heat riser) | 21.00 ea |
| 3082 | 68-74 | 2 1/2" Exhaust Manifold Spacer (68-69 L-88) can also be used in place of heat riser | 25.00 ea |
| 3019 | 68-80 | 2" Exhaust Heat Riser Gasket | 2.50 ea |
| 3020 | 68-74 | 2 1/2" Exhaust Heat Riser Gasket | 2.50 ea |
| 3086 | 68-75 | 2" Exhaust Pipe Flange | 5.00 ea |
| 3087 | 68-74 | 2 1/2" Exhaust Pipe Flange (Flat Type) | 8.25 ea |
| 3021 | 68-82 | Extension, Exhaust Pipe to Manifold w/2" Pipe | 6.50 ea |
| 3022 | 68-82 | Extension, Exhaust Pipe to Manifold w/2 1/2" Pipe | 6.50 ea |
| 3017 | 68-74 | 2" Exhaust Manifold Donut Gasket | 3.00 ea |
| 3018 | 68-74 | 2 1/2" Exhaust Manifold Donut Gasket | 3.00 ea |
| 5643 | 75-81 | Exhaust Pipe to Manifold Sealing Ring | 4.25 ea |
| 5642 | 75-82 | Catalytic Converter to Pipe Gasket - Front or Rear | 7.50 ea |

Exhaust Hangers & Clamps



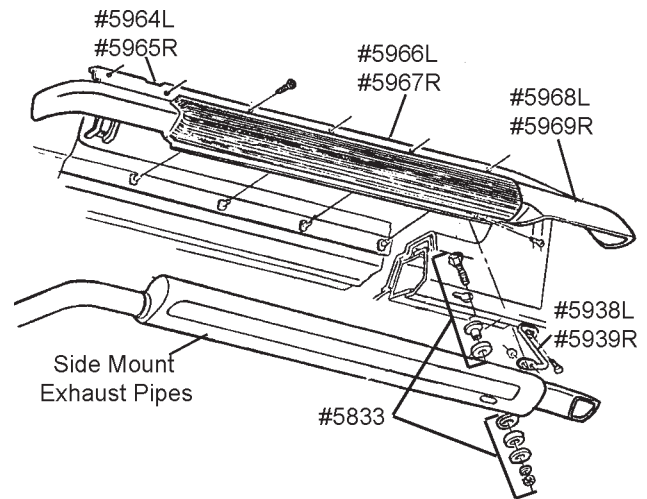
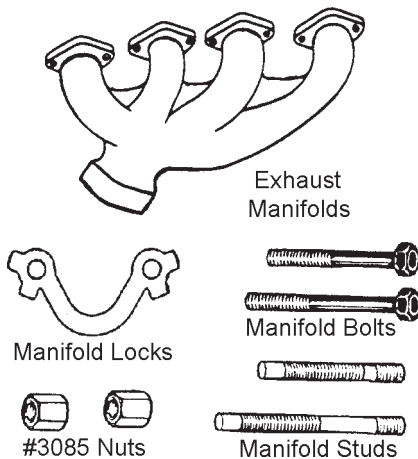
Exhaust Hangers & Clamps (continued)

| | | | |
|-------|-------|--|-----------|
| 5850 | 69-75 | 2" Center Hanger Kit, 4sp | 26.00 ea |
| 5851 | 68-75 | 2 1/2" Center Hanger Kit, 4sp | 23.00 ea |
| 5853 | 69-75 | 2" Center Hanger Kit, Auto | 37.00 ea |
| 5854 | 68-78 | 2 1/2" Center Hanger Kit, Auto (68 All Auto, 70-74 454, 74-75 w/350, SpHiPer, 74-77 M-40, 78 All) | 38.00 ea |
| 7140 | 76-79 | Exhaust Pipe Support (76-78 4sp & M-38, 79 All) | 22.00 ea |
| 10389 | 75-79 | 2" Center Hanger Kit-Auto (used with Dual Exhaust Conversion Systems) | 15.00 kit |
| 10390 | 75-79 | 2 1/2" Center Hanger Kit -Auto (used with Dual Exhaust Conversion Systems) | 15.00 kit |
| 5855 | 68-72 | Muffler Exhaust Hangers | 24.00 pr |
| 5859 | 73 | Muffler Exhaust Hangers | 32.00 pr |
| 5860 | 74 | Tail Pipe/Muffler Exhaust Hangers | 20.00 pr |
| 5861 | 75-77 | Tail Pipe/Muffler Exhaust Hangers | 26.00 pr |
| 5819 | 78-82 | Tail Pipe/Muffler Exhaust Hanger & Brkt. | 29.00 pr |
| 5806 | 76-78 | Rear Y-Pipe Front Hanger (with lower clamp) 76-77 All, 78 L-48 | 99.00 ea |
| 5824 | 78-81 | Rear Y-Pipe Front Hanger (does not include lower clamp) 78 L-82 & 79-81 All (GM) | DISC |
| 5828 | ALL | 2" Exhaust Pipe Clamps - Original Type | 4.00 ea |
| 5818 | ALL | 2 1/4" Exhaust Pipe Clamps - Original Type | 5.00 ea |
| 5829 | ALL | 2 1/2" Exhaust Pipe Clamps - Original Type | 4.50 ea |
| 6028 | 68-82 | 2" Exhaust Clamp - Stainless Steel | 8.50 ea |
| 6024 | 75-78 | 2 1/4" Exhaust Clamp - Stainless Steel | 8.00 ea |
| 6029 | 68-82 | 2 1/2" Exhaust Clamp - Stainless Steel | 9.50 ea |
| 5637 | 75-82 | 2 3/4" Heavy Duty Exhaust Clamp | 5.50 ea |



Exhaust Bezels & Extensions

| | | | |
|------|-------|--|----------|
| 2436 | 68-69 | Exhaust Outlet Bezels - Chrome As Original | 69.95 pr |
| 2468 | 68-69 | Exhaust Outlet Bezels - Polished Stainless | 85.00 pr |
| 2438 | 70-73 | Exhaust Outlet Bezels - Chrome As Original | 74.95 pr |
| 5928 | 70-73 | Exhaust Outlet Bezels - Polished Stainless | 85.00 pr |
| 2441 | 68-69 | Exhaust Extensions Stainless Steel | 39.95 pr |
| 2442 | 70-72 | Exhaust Extensions Stainless Steel | 52.95 pr |
| 2444 | 73 | Exhaust Extensions Stainless Steel | 55.95 pr |
| 2446 | 74-82 | Exhaust Extensions Stainless Steel | 29.95 pr |
| 6601 | 74-82 | Curved Exhaust Extensions Stainless | 44.95 pr |



Exhaust Manifold & Related

A.I.R stands for Air Injector Reactor - not air conditioning

| | | | |
|---|-------|--|-----------|
| 5416 | 68-69 | 427 Exhaust Manifolds w/o A.I.R. PAIR | 595.00 pr |
| 5417 | 70-74 | 454 Exhaust Manifolds w/o A.I.R. PAIR | 595.00 pr |
| 5856 | 68-69 | 427 Exhaust Manifold (exc. A.I.R.) - Lt.. | 329.00 ea |
| 5946 | 70-74 | 454 Exhaust Manifold (exc A.I.R.) - Lt ... | 329.00 ea |
| 5858 | 68-74 | 427-454 Exhaust Manifold (exc. A.I.R.) - Rt..... | 335.00 ea |
| 10061 | 66-74 | 427 Exhaust Manifold - Rt (has A.I.R. holes but comes with plugs) - REPL | 149.00 ea |
| 5944 | 68-69 | 427 Exhaust Manifold (with A.I.R.) - Lt.. | 379.00 ea |
| 5947 | 70-74 | 454 Exhaust Manifold (with A.I.R.) - Lt.. | 379.00 ea |
| 5945 | 68-74 | 427-454 Exhaust Manifold (with A.I.R.) - Rt..... | 379.00 ea |
| 5974 | 68-71 | 327/350 Exhaust Manifold Cast #3872765 68-69 327/350 and 70-71 350 SpHiPer w/o A.I.R. (service repl) 2" - Lt | 210.00 ea |
| 5913 | 68-71 | 327/350 Exhaust Manifold cast # 3872765 68-69 327/350 and 70-71 350 SpHiPer with A.I.R. 2" - Lt | 210.00 ea |
| 5952 | 68-71 | 350 Exhaust Manifold All - Rt (GM Re-issue) | 269.00 ea |
| 5953 | 72-80 | 350 Exhaust Manifold All - Lt or Rt (GM) | 269.00 ea |
| 3083 | 68-78 | Exhaust Manifold Studs - Steel (6 pcs) | 8.50 set |
| 3084 | 68-78 | Exhaust Manifold Studs - Stainless Steel (6 pcs) | 21.50 set |
| 3085 | 68-78 | Brass Nut, Exhaust Manifold (6 pcs) | 5.00 set |
| 8561 | 68-74 | Exhaust Manifold Nut Set (correct "top lock" type (6 pcs) | 4.00 set |
| 3038 | 68-82 | 327/350 Exhaust Manifold Lock Set Stainless Steel (4 pcs) | 15.00 set |
| 5056 | 68-80 | 327/350 Exhaust Manifold Lock Set Steel (4 pcs) | 11.00 set |
| 3039 | 68-74 | 427, 454 Exhaust Manifold Lock Set Stainless Steel (4 pcs) | 15.00 set |
| 5074 | 68-74 | 427/454 Exhaust Manifold Lock Set Steel (4 pcs) | 11.00 set |
| EXHAUST MANIFOLD BOLTS have double circle headmark | | | |
| 8786 | 68-79 | 327/350 Exh. Manifold Bolt Set exc. Air | 14.00 set |
| 8787 | 68-76 | 327/350 Exh. Manifold Bolt Set w/Air | 22.00 set |
| 8788 | 68-74 | 427-454 Exhaust Manifold Bolt Set No P.S | 18.00 set |
| 8789 | 68-74 | 427-454 Exhaust Manifold Bolt Set w/P.S. | 22.00 set |
| 8790 | 68-74 | 427-454 Exhaust Manifold Bolt Set w/Air .. | 26.00 set |
| 8791 | 68-74 | 427-454 Exhaust Manifold Bolt Set with AC & P.S. | 30.00 set |
| 8781 | 68-80 | Exhaust Manifold Bolt Washers S.S. All Engines (set of 8) | 6.00 set |

Side Exhaust

5970__ 68-74 Side Exhaust Kit: Includes Aluminized Pipes,
Factory Chrome Covers Complete, Mounting
Brackets and Hardware - Specify
Year and Big Block or Small Block.. 2479.00 set ND

Will Fit 68-82 with proper Manifolds - INQUIRE

**** NOTE: The manufacturer boxes the side exhaust assemblies totally encased in foam. There is a 35.00 per side fee for this service.**

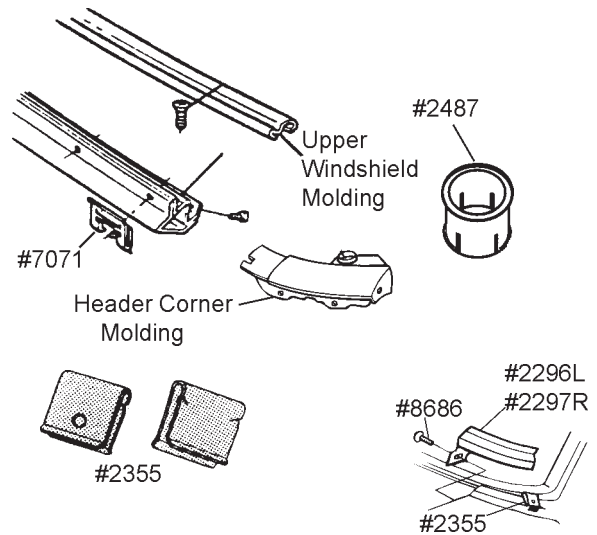
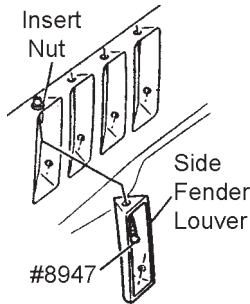
| | | | |
|-------|-------|--|-----------|
| 10045 | 68-74 | Fiberglass Side Exhaust Covers - fiberglass reproduction of the 69 style side exhaust. Finish in silver and black to look original or paint to match your body color. Fits 68-82 | 399.00 pr |
| 5885 | 68-74 | 350 Aluminized Side Exhaust Pipes | 479.00 pr |
| 5886 | 68-69 | 427 Aluminized Side Exhaust Pipes | 479.00 pr |
| 5887 | 70-74 | 454 Aluminized Side Exhaust Pipes | 479.00 pr |
| 5833 | 69 | Side Pipe (Muffler) Rear Hanger Kit. | 36.00 kit |
| 5938 | 69 | Rear Side Pipe Cover Brace - Lt. | 16.00 ea |
| 5939 | 69 | Rear Side Pipe Cover Brace - Rt. | 16.00 ea |

Side Pipe Cover Assembly & Repair Parts

| | | | |
|--------|----|--|----------------|
| 5962** | 69 | Side Pipe Cover Assemblies Complete (Includes #5960 and #5961) Lt & Rt ... | 2250.00 pr ND |
| 5960** | 69 | Side Pipe Cover Assy. Complete (Includes Fiberglass Backing w/ 3 Chrome Pieces Assembled) - Lt | 1249.00 ea ND |
| 5961** | 69 | Side Pipe Cover Assy. Complete (Includes Fiberglass Backing w/ 3 Chrome Pieces Assembled) - Rt | 1249.00 ea ND |
| 5963 | 69 | Side Pipe Cover Chrome Moldings (#5964 thru #5969) - 6 pc set | 1145.00 set LD |
| 5964 | 69 | Chrome Molding - Front Lt. | 205.00 ea LD |
| 5965 | 69 | Chrome Molding - Front Rt | 205.00 ea LD |
| 5966 | 69 | Chrome Molding - Center Lt | 249.00 ea LD |
| 5967 | 69 | Chrome Molding - Center Rt | 249.00 ea LD |
| 5968 | 69 | Chrome Molding - Rear Lt. | 175.00 ea LD |
| 5969 | 69 | Chrome Molding - Rear Rt | 175.00 ea LD |

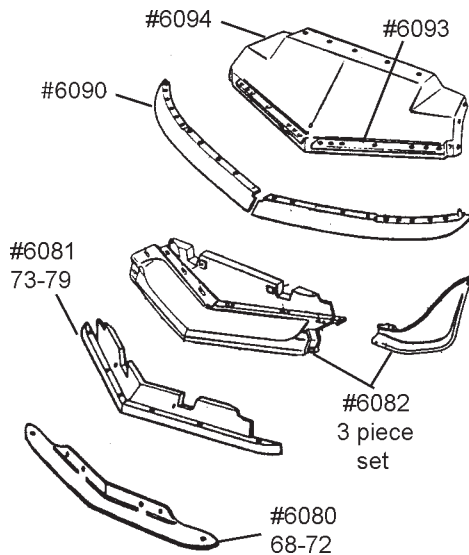
**** NOTE: The manufacturer boxes the side exhaust assemblies totally encased in foam. There is a \$35.00 fee per side for this service.**

EXTERIOR TRIM & MOLDINGS



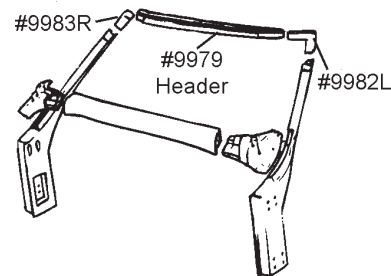
Louvers

| | | | |
|-------|-------|---|---------------|
| 7074 | 69 | Side Louver Set w/Screws & Nuts | 349.95 set ND |
| 2375 | 69 | Side Fender Louver (4 req.) - Lt | 47.00 ea |
| 2376 | 69 | Side Fender Louver (4 req.) - Rt | 47.00 ea |
| 8947 | 69 | Side Fender Louver Screws - S.S. (16 pcs) | 5.50 set |
| 8948 | 69 | Insert Nut - Side Fender Louver (16) | 16.00 set |
| 8912 | 69 | Insert Nut - Side Fender Louver (16 req.) ... | 1.25 ea |
| 7080 | 80-82 | Side Vent Louver (Black) - Lt | 28.50 ea |
| 7081 | 80-82 | Side Vent Louver (Black) - Rt | 28.50 ea |
| 7079 | 80-82 | Side Vent Louvers (Black) - PAIR | 42.95 pr |
| 7082 | 80-82 | Side Vent Louvers (Chrome) - PAIR | 52.95 pr |
| 2387 | 70-72 | Side Louver Lower Retainer | 7.50 ea |
| 8949 | 70-72 | Front Fender Louver Screws & Nuts (6 pcs) | 3.00 set |
| 10658 | 69 | Side Louver Set - 8 pc. - Import Similar Replacement | 149.95 |



Windshield Trim

| | | | |
|-------|--------|--|-----------|
| 8960 | 68-82 | Upper Windshield Molding Screws (4) | 2.00 set |
| 7071 | 68-82 | Upper & Side Windshield Molding CLIP 13 required | 1.50 ea |
| 8965 | 68-82 | Upper & Side Windshield Molding Clip SCREW Set (13 pcs) | 4.00 set |
| 2296 | 68-72 | Lower Outer Windshield Moldings on Fender - Lt and Rt (sold in pairs only) | 45.00 pr |
| 8686 | 68-72 | Outer & Center Windshield Molding on Fender Screws (4 pcs) | 2.00 set |
| 2355 | 68-72 | Lower Outer Windshield Molding Clips on Fender (4 req.) | 1.25 ea |
| 2356 | 68-72 | Lower Windshield Molding on Wiper Door Clips (5 pcs) | 13.50 set |
| 7075 | 68L-76 | Windshield Header Corner Chrome Moldings w/Top Guide Pin Bushings - PAIR | 103.50 pr |
| 2483 | 68 | Front Guide Pin Bushing | 4.00 pr |
| 2487 | 69-82 | Front Guide Pin Bushing | 2.50 ea |
| 5529 | 68-72 | Wiper Door Bolt (4 req) | 4.00 ea |
| 5533 | 68-72 | Wiper Door Bushing (8 req) | 1.00 ea |
| 8957 | 68-72 | Wiper Door Grill Screws (8) | 4.00 set |
| 10654 | 68-76 | Wind Header Corner Mldgs - LT | 58.95 ea |
| 10655 | 68-76 | Wind Header Corner Mldgs - RT | 58.95 ea |



Spoilers

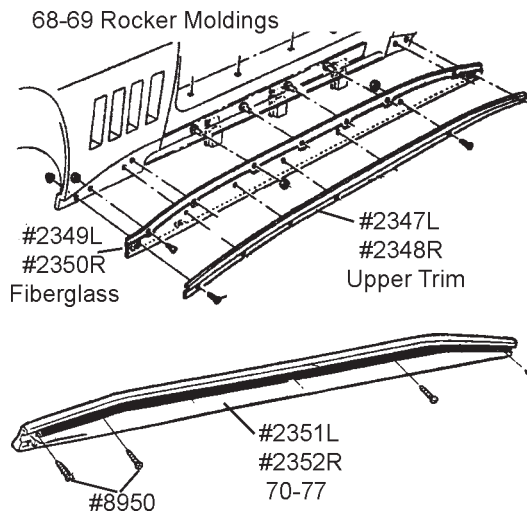
| | | | |
|------|-------|--|------------|
| 6080 | 68-72 | Front Stock Spoiler (Air Dam) | 39.95 ea |
| 6081 | 73-79 | Front Stock Spoiler (Air Dam) | 39.95 ea |
| 8942 | 68-72 | Front Spoiler Bolt & Nut Kit | 6.50 kit |
| 8986 | 73-79 | Front Spoiler Screw & J-Nut Kit | 8.50 kit |
| 6082 | 73-79 | Pace Car Front Spoiler - 3 pc Urethane Rubber | 219.00 set |
| 6090 | 80-82 | Front Stock Spoilers (Air Dam Ext.) | 79.95 pr |
| 6093 | 80-82 | Front Stock Spoiler Extension Retainers (2 req.) | 34.00 ea |
| 6094 | 80-82 | Front Lower Radiator Air Deflector - Urethane | 235.00 ea |

Windshield Frame

| | | | |
|-------|-------|--|------------|
| 10423 | 68-82 | Winshield Frame Kit (5 pcs) Includes 9979, 9982, 9983, 10046 amd 10047 | 539.00 set |
| 9979 | 68-82 | Windshield Frame Upper Header | 209.00 ea |
| 9982 | 68-82 | Windshield Upper Frame Corner - Lt | 69.00 ea |
| 9983 | 68-82 | Windshield Upper Frame Corner - Rt | 69.00 ea |
| 10046 | 68-82 | Windshield Side Frame - Lt | 129.00 ea |
| 10047 | 68-82 | Windshield Side Frame - Rt | 129.00 ea |

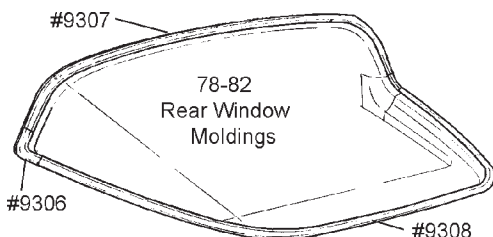
The above are designed for a convertible - will have to be slightly modified for use on a coupe

EXTERIOR TRIM & MOLDINGS (cont.)



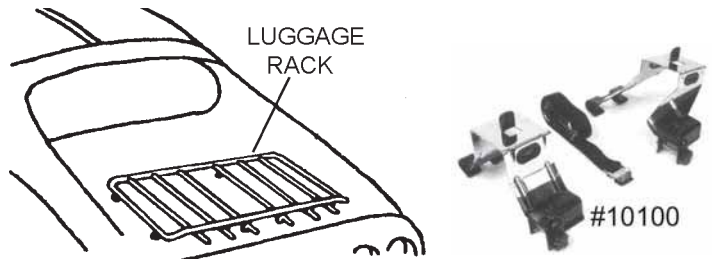
Rocker Moldings

| | | | |
|-------|-------|--|-----------|
| 2347 | 68-69 | Rocker Panel Molding Upper Trim (Chrome) - Lt | 84.00 ea |
| 2348 | 68-69 | Rocker panel Molding Upper Trim (Chrome) - Rt | 84.00 ea |
| 2349 | 68-69 | Rocker Panel Molding Lower (Fiberglass) Lt | 135.00 ea |
| 2350 | 68-69 | Rocker Panel Molding Lower (Fiberglass) Rt | 135.00 ea |
| 2351 | 70-77 | Rocker Panel Molding - Lt | 145.00 ea |
| 2352 | 70-77 | Rocker Panel Molding - Rt | 145.00 ea |
| 10424 | 70-77 | Rocker Panel Moldings - Pair | 259.00 pr |
| 2213 | 78-79 | Rocker Panel Moldings (except 78 Pace Car) - Lt and Rt | 199.00 pr |
| 2215 | 78 | Pace Car Rocker Panel Moldings | 279.00 pr |
| 2217 | 80 | Rocker Panel Moldings | 199.00 pr |
| 2218 | 81-82 | Rocker Panel Moldings | 199.00 pr |
| 2235 | 70-77 | Rocker Mounting Repair Kit - repairs stripped mounting holes where they attach to car (includes mounting screws) | 29.95 kit |
| 2201 | 68-69 | Rocker Molding Mounting Screw & Nut Set | 15.00 set |
| 2339 | 70-82 | Black Screw - Rocker Panel #10-24 THD | 1.25 ea |
| 8950 | 70-82 | Rocker Panel Molding Screw, Washer & Nut Set | 8.75 set |



78-82 Rear Window Moldings

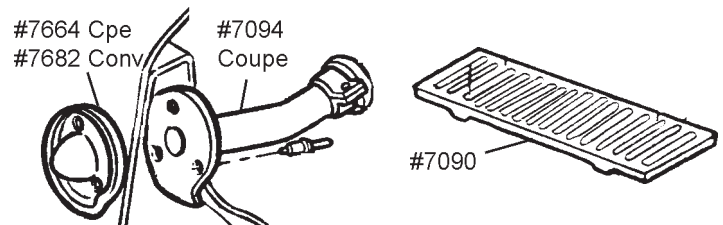
| | | | |
|------|-------|-------------------------------------|---------|
| 9305 | 78-82 | Rear Window Molding Clip (21 req) | 1.25 ea |
| 9306 | 78-82 | Rear Window Molding - Side (Black) | DISC |
| 9307 | 78-82 | Rear Window Molding - Upper (Black) | DISC |
| 9308 | 78-82 | Rear Window Molding - Lower (Black) | DISC |



Luggage Racks

Through the years several suppliers for these racks were used and all hole locations were not duplicated exactly. Our racks measure as follows. Outer holes (center to center) are 14 1/2" vertically. Center tube holes are 17 1/8" vertically (8 hole rack only). Outer mounting holes are 38 5/16" apart.

| | | | |
|-------|-------|--|-----------|
| 1891 | 68-75 | Luggage Rack with Mounting Kit - polished stainless steel (6 Mount) | 250.00 ea |
| 1016 | 76-77 | Luggage Rack with Mounting Kit - polished stainless steel (8 Mount) | 250.00 ea |
| 1024 | 68-75 | Luggage Rack Mounting Kit | 42.50 kit |
| 1892 | 76-77 | Luggage Rack Mounting Kit | 47.50 kit |
| 1027 | 68-77 | Luggage Rack Tips | 1.50 ea |
| 10100 | 68-77 | T-Top Carriers for Luggage Rack for use with racks that have locator or alignment pins | 149.95 ea |



Miscellaneous - Exterior Trim

| | | | |
|------|-------|---|-----------|
| 1938 | 68-82 | License Plate Stainless Steel Frame - Original | 15.95 ea |
| 2428 | 68-73 | Rear License Plate Bezel - Reproduction | 72.50 ea |
| 2418 | 68-73 | Rear License Plate Bezel (NOS - GM) | 123.00 ea |
| 8955 | 68-73 | Rear License Plate Bezel Screws (4) | 2.00 set |
| 8943 | 68-73 | Rear License Plate Bezel Mtg Nut (4) | 2.00 set |
| 7090 | 68-75 | Rear Deck Vent Grill | 28.00 ea |
| 8953 | 68-75 | Rear Deck Vent Grill Screws (8) | 4.50 set |
| 8927 | 68-75 | Rear Deck Vent Grill Nuts (8) | 4.00 set |
| 7091 | 68 | Rear Vent Door Seal Kit - All | 13.00 set |
| 7092 | 69-76 | Rear Vent Door Seal Kit, exc. Air | 19.00 set |
| 7093 | 69-76 | Rear Vent Door Seal Kit, w/Air | 13.00 set |
| 7094 | 68-75 | Coupe Rear Plenum Drain Hose (2 req) | 15.00 ea |
| 7664 | 68-75 | Coupe Rear Plenum Drain Hose Shield (Stainless) | 27.95 pr |
| 7682 | 68-70 | Conv Rear Plenum Drain Hose Shield (Stainless) | 26.95 pr |
| 2329 | 68-70 | Gas Door Bezel & Hinge Assy | 49.95 ea |
| 2437 | 71-77 | Gas Lid Bezel Assembly - includes bezel, spring, hinge pin, rubber lid bumpers, hinge bumper & hinge pin bushings | 74.95 ea |
| 2433 | 71-82 | Spring, Gas Door Hinge | 7.00 ea |

See also FASTENERS, BUMPERS, EXHAUST, GAS TANK & HARDWARE, GRILL, EMBLEMS etc.

FASTENERS

Bumper

| | | | |
|------|-------|--|-----------|
| 8940 | 68-72 | Front Bumper Bolt Set, Zinc Plated (98) | 18.00 set |
| 8941 | 68-73 | Rear Bumper Bolt Set, Zinc Plated (70) | 18.00 set |

Console

| | | | |
|------|-------|--|----------|
| 8922 | 68-76 | Parking Brake Console Screws (4) | 2.00 set |
| 8923 | 68-76 | Center Gauge Console Screws | 3.00 set |
| 8924 | 68-76 | Shifter Console Plate Screws (4) | 2.00 set |
| 8766 | 68-76 | Shifter Console J-Nuts (4 pcs) | 2.50 set |
| 8925 | 68-76 | Shifter Boot Screws (4) | 2.50 set |
| 8844 | 68-76 | Radio Side Panel Screws (4) | 2.50 set |
| 8845 | 77-82 | Shifter Boot Screws (4) | 2.50 set |
| 8846 | 77-82 | Center Gauge Console Screws | 4.00 set |
| 8704 | 77-82 | Console Side Trim Panel Screws (4 pcs) | 2.75 set |
| 8703 | 68-82 | Center Console & Dash Plastic Anchor Nut ... | .50 ea |

Dash

| | | | |
|------|-------|--|----------|
| 8928 | 68-77 | Dash Pad & Steering Column Cover Screws (8) | 3.00 set |
| 8929 | 68-77 | Dash Pad to Door Jamb Screws w/Washers (4) | 3.50 set |



Engine

| | | | |
|------|-------|--|-----------|
| 8930 | 68-82 | 327/350 Alum. Valve Cover Bolts, Repl. - Hex Head (8) | 4.00 set |
| 8742 | 68 | 327/350 Alum. Valve Cover Bolts w/Correct "M" Head Mark (8) | 8.50 set |
| 8931 | 68-79 | 327/350 Steel Valve Cover Bolts, Repl. - Hex Head (8) | 3.50 set |
| 8747 | 68-72 | 327/350 Steel Valve Cover Bolts w/Correct "RBW" Head Mark (8) | 9.00 set |
| 8932 | 68-78 | 327/350 Reinforcements - for Valve Cover Bolts (8) | 6.50 set |
| 8902 | 68-69 | 427 Steel Valve Cover Bolts w/Replacement "TR" Head Mark (14) | 8.00 set |
| 8933 | 68-74 | 427 Valve Cover Bolts, Repl. - Hex Head (14) | 4.50 set |
| 8934 | 68-74 | Big Block Reinforcements for Valve Cover Bolts (14) | 12.00 set |
| 7753 | 68-70 | 327/350 Intake Manifold Bolt Set "M" Head Mark, Zinc | 17.00 set |
| 8767 | 71-82 | 350 Intake Manifold Bolt Set "M" | 22.00 set |
| 7756 | 68 | All w/Aluminum Intake Manifold Bolt Set "FP" Head Mark, Zinc | 16.00 set |
| 8764 | 68-74 | 427/454 Intake Manifold Bolt Set "M" Head Mark, Zinc | 17.00 set |
| 7897 | 68-71 | 427/454 Intake Manifold Bolt Set "A" Head Mark, Zinc | 18.00 set |

Exhaust

Exhaust Manifold Bolts have Double Circle Headmarks

| | | | |
|------|-------|---|-----------|
| 8781 | 68-80 | Exhaust Manifold Bolt Washers, all engines Stainless Steel (8) | 6.00 set |
| 8786 | 68-79 | 327/350 Exh. Manifold Bolt Set, exc. Air .. | 14.00 set |
| 8787 | 68-76 | 327/350 Exh. Manifold Bolt Set, w/Air | 22.00 set |
| 8788 | 68-74 | 427/454 Exh. Manifold Bolt Set | 18.00 set |
| 8789 | 68-74 | 427/454 Exh. Manifold Bolt Set, w/P.S. | 22.00 set |
| 8790 | 68-74 | 427/454 Exh. Manifold Bolt Set, w/Air | 26.00 set |
| 8791 | 68-74 | 427/454 Exh. Manifold Bolt Set, w/P.S. & w/Air | 30.00 set |



#8954

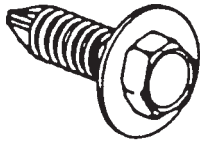


Speed Nuts

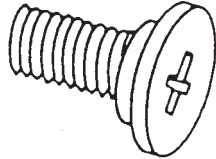
Exterior Trim

| | | | |
|------|-------|--|-----------|
| 8793 | 68-82 | Door Main Weatherstrip Screws (10 pcs) | 3.50 set |
| 8696 | 68-82 | Door Outer Window Trim Molding Screw Set (6 pcs) | 2.50 set |
| 8945 | 68-69 | Exhaust Bezel Screws w/J-Nuts (16) | 4.50 set |
| 8946 | 70-73 | Exhaust Bezel Screws w/J-Nuts (16) | 4.50 set |
| 8961 | 68 | Exterior Trim & Emblem Speed Nuts Set (44) | 9.50 set |
| 8962 | 69 | Exterior Trim & Emblem Speed Nut Set (50) | 10.75 set |
| 8963 | 70-72 | Exterior Trim & Emblem Speed Nut Set (52) | 10.75 set |
| 8947 | 69 | Front Fender Louver Screws (16) | 5.50 set |
| 8948 | 69 | Front Fender Louver Insert Nut (16) | 16.00 set |
| 8912 | 69 | Front Fender Louver Insert Nut (1) | 1.25 ea |
| 8949 | 70-72 | Front Fender Louver Screws & Nuts (6) | 3.00 set |
| 8942 | 68-72 | Front Spoiler Bolt & Nut Kit | 6.50 kit |
| 8986 | 73-79 | Front Spoiler Screw & J-Nut Kit | 8.50 kit |
| 8694 | 68-82 | Gas Door Emblem Acorn Nuts (2pc) | 1.25 pr |
| 8952 | 68-77 | Gas Door Bezel Screws (4) | 2.50 set |
| 8926 | 68-77 | Gas Door Bezel J-Nut (4) | 2.50 set |
| 8944 | 68-77 | Gas Door to Hinge Screws Chromed SS(4).. | 6.00 set |
| 8695 | 78-82 | Gas Door Bezel Screw w/J-Nut (8 pc) | 2.50 set |
| 8958 | 68-69 | Center & Outer Grill Mounting Screws (12).. | 4.75 set |
| 8959 | 70-74 | Center & Outer Grill Mounting Screws (8).... | 5.25 set |
| 8688 | 75-79 | Grill Mounting Screws (8 pc) | 5.50 set |
| 8951 | 68-82 | Headlight Bezel Screws (8) | 3.75 set |
| 8687 | 68-72 | 427/454 LT-1 Hood Grill Mount Kit (4 pc) | 2.50 set |
| 8689 | 73-75 | Hood Grill Nuts (6 pc) | 2.75 set |
| 2201 | 68-69 | Rocker Molding Mounting Screw & Nut Set | 15.00 set |
| 8950 | 70-82 | Rocker Molding Screw, Washer & Nut Set | 8.75 set |
| 2235 | 70-77 | Rocker Molding Mount Repair Kit: Repairs stripped mounting holes where they attach to car - includes mounting screws | 29.95 kit |
| 8953 | 68-75 | Rear Deck Vent Screws (8) | 4.50 set |
| 8955 | 68-73 | Rear License Bezel Screws (4) | 2.00 set |
| 8943 | 68-73 | Rear License Bezel Mtg Nuts (4) | 2.00 set |
| 8685 | 68-73 | Rear Exhaust Panel Bolt & Nut Kit | 11.00 set |
| 8956 | 68-82 | Rally Wheel Center Cap Emblem Screws (4) - N.O.S. | 4.50 set |
| 8954 | 68-77 | Outside Mirror Screw - Socket Head (1) | 1.75 ea |
| 8957 | 68-72 | Wiper Door Grill Screws (8) | 4.00 set |
| 8686 | 68-72 | Outer & Center Windshiel Molding on Fender Screws (4 pc) | 2.00 set |
| 8960 | 68-82 | Upper Windshield Molding Screws (4) | 2.00 set |

FASTENERS (cont.)



Hood Hinge



#8852 Seat Hinge

Hood

| | | | |
|------|-------|--------------------------------------|----------|
| 8964 | 68-82 | Hood Hinge Bolts (8 pcs) | 6.00 set |
| 8966 | 68-71 | Hood Support to Hood Bolts (2) | 2.00 pr |
| 8967 | 72-76 | Hood Support to Hood Bolts (2) | 2.00 pr |
| 8968 | 68-76 | Hood Lock to Hood Bolts (8) | 3.00 set |

Floor Pan Plug Kit

| | | | |
|------|-------|--------------------------|-----------|
| 8998 | 68-71 | Floor Pan Plug Kit | 6.95 kit |
| 8999 | 72-75 | Floor Pan Plug Kit | 6.95 kit |
| 8998 | 76 | Floor Pan Plug Kit | 6.95 kit |
| 8771 | 77-82 | Floor Pan Plug Kit | 16.95 kit |

Lights & Lamps

| | | | |
|------|-------|---|----------|
| 8987 | 68-69 | Parking Lamp Lens Screws (4) | 4.00 set |
| 8988 | 70-72 | Parking Lamp Lens Screws (6) | 7.75 set |
| 8989 | 68-69 | Tail Lamp Lens Screws (12) | 6.00 set |
| 8990 | 70-73 | Tail Lamp Lens Screws (12) | 5.50 set |
| 8991 | 74 | Tail Lamp Mounting Nuts & Washers (20) ... | 3.00 set |
| 8992 | 75-79 | Tail Lamp Lens Screw - Correct Chrome Plated (8 pcs) | 6.00 set |
| 8994 | 75-82 | Tail Lamp Mounting Plastic Nut (1) | 4.50 ea |
| 8993 | 80-82 | Tail Lamp Lens Screws (8 pcs) | 7.50 set |
| 8995 | 68-69 | Side Marker Mounting Nuts & Washers (16) | 2.50 set |
| 8996 | 70-73 | Side Marker Mounting Nuts & Washers (16) | 2.50 set |
| 8997 | 74-82 | Side Marker Mounting Nuts & Washers (16) | 3.00 set |

Interior Fastener Sets

| | | | |
|------|-------|---|-----------|
| 8981 | 68-76 | Interior Fastener Set: Includes Parking Brake Console, Console Center Gauge, Dash Pad & Steering Column, Dash Pad to Door Jamb, Door Panel, Door Pull, Door Sill Plate, Windshield Header Trim & Seat Back | 23.95 set |
| 8935 | 77 | Interior Fastener Set - Includes: Seat Back Panel, Dash Pad & Steering Column, Windshield Header Trim, Console Center Gauge, Shifter Boot, Door Panel Clip, Rear Window & Wheel Housing, Remote Mirror Escutcheon, Door Panel, Door Sill Plate & Dash Pad to Door Jamb (77 pcs) | 22.95 set |
| 8936 | 78-82 | Interior Fastener Set - Includes: Dash Pad to Door Jamb, Console Center Gauge, Arm Rest, Door Handle Escutcheon, Door Panel, Door Sill Plate, Kick Panel, Halo Molding, Remote Mirror Escutcheon, Package Shelf, Rear Speakers, Shifter Boot, Steering Wheel Mounting & Windshield Trim (89 pcs) | 27.50 set |

Interior Trim

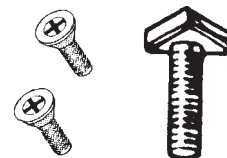
| | | | |
|-------|--------|--|-----------|
| 8973 | 78-82 | Arm Rest Screws (6) | 4.00 set |
| 8970 | 68-77 | Door Panel Screws w/Washers - Original (4) | 7.00 set |
| 8969 | 68-82 | Door Panel Screws w/Washers - Repl. (4) .. | 2.50 set |
| 8739 | 78-82 | Door Panel Screws w/Washers - Lower (4 of each) | 3.50 set |
| 8972 | 68-77 | Door Pull Screws (4) | 3.50 set |
| 8974 | 68-77 | Door Panel Clip Screws (4) | 2.50 set |
| 8975 | 68-77 | Inside Door Handle Screws (2) | 2.50 pr |
| 8760 | 78-82 | Door Handle Escutcheon Screws (2 pc) | 2.00 pr |
| 8976 | 68-77 | Door Sill Plate Screws (8) | 3.00 set |
| 8977 | 78-82 | Door Sill Plate Screws (8) | 3.75 set |
| 8876 | 68-76 | Inside Mirror to Support Screw (1) | 2.00 ea |
| 8697 | 78-82 | Remote Mirror Escutcheon Screws (4 pc) ... | 3.50 set |
| 8782 | 73-77 | Inside Rear Window Molding Screws (7 pc) | 4.25 set |
| 8796 | 78-82 | Inside Rear Window & Package Shelf Molding Screws (12 pcs) | 3.50 set |
| 8699 | 78-82 | Rear Roof Panel Screws (6 pcs) | 3.00 set |
| 8698 | 78-82 | Rear Speaker Screws (6 pcs) | 2.25 set |
| 8768 | 78-82 | Kick Panel Screws (2 pcs) | 1.75 pr |
| 8979 | 68-77 | Rear Side Panel Molding Behind Seat Screws (8) | 4.25 set |
| 8980 | 68-78 | Seat Back Screws, exc pace car. (4) | 2.50 set |
| 8725 | 70-78 | Seat Back Release Button Screws (2 pc) ... | 1.25 pr |
| 8726 | 70-78 | Seat Back Release Button Bezel Screws (4 pcs) | 2.50 set |
| 8852 | 68-70E | Seat Hinge Pivot Bolt (1) | 3.00 ea |
| 8784 | 70L-73 | Seat Hinge Pivot Bolt (1) | 3.00 ea |
| 8982 | 74-78 | Seat Hinge Pivot Bolt, exc Pace Car (1) | 3.00 ea |
| 8983 | 68-78 | Seat Hinge Pivot Washer, exc Pace Car | 1.50 ea |
| 8668 | 68-82 | Seat Mounting Bolts (8 pcs) | 5.00 set |
| 8985 | 79-82 | Side Seat Acorn Hinge Nut (3) | 2.00 set |
| 10022 | 78-82 | Seat Side Acorn Nut Set (24 pcs) | 14.00 set |
| 8971 | 68-76 | Sunvisor Support Screws (4) | 2.50 set |
| 8984 | 68-75 | Steering Wheel Mounting Screws (6) | 2.50 set |
| 8984 | 78-82 | Steering Wheel Mounting Screws (6) | 2.50 set |
| 8978 | 68-76 | Windshield Header Trim Screws (6) | 3.00 set |
| 8773 | 78-82 | Windshield Trim Molding Screws (14 pcs) ... | 5.75 set |

Rivets

| | | | |
|------|-------|--|----------|
| 5999 | 68-82 | Aluminum Body Rivets - 1/2" large flat head 5/8" long (25 pcs) | 4.00 set |
| 6033 | 68-82 | Aluminum Body Rivets - 1/2" large flat head 7/16" long (25 pcs) | 4.00 set |
| 7089 | 68-82 | V.I.N. Tag Attaching Rivets - rosette style | .DISC |

T-Tops

| | | | |
|------|--------|---|----------|
| 8794 | 70-77E | T-Top Weatherstrip Screws (8 pcs) | 3.50 set |
| 8795 | 77L-82 | T-Top Weatherstrip Screws (8 pcs) | 4.50 set |
| 8938 | 68-78 | T-Roof Rear Pin Plate Screws - Chrome Plated Stainless Steel (will not rust)(4) | 6.00 set |
| 8939 | 78-82 | T-Roof Rear Pin Plate Screws - Black (4) | 5.00 set |
| 2466 | 68-77 | T-Top Rear Mtg Screw - Triangle Head Chrome plated steel as original | 6.00 ea |
| 2477 | 68-77 | T-Top Rear Mtg Screw - Triangle Head Stainless Steel | 8.00 ea |

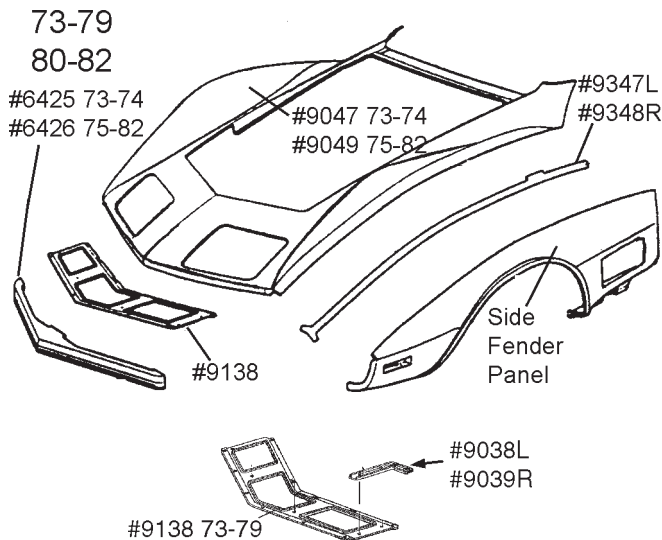
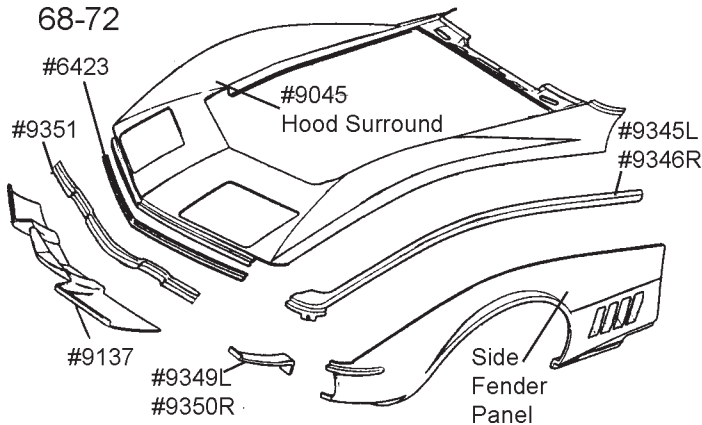


#8938

#2466 Chrome
#2477 Stainless

FIBERGLASS

Urethane & Fiberglass Bumpers - See BUMPER Section
Spoilers - See BUMPER Section



Front End - PreAssembled Press Molded

These front ends are jig-assembled using factory style bonding strips. They include header bar assembly and inner skirts (not installed). Available in factory fiberglass colors.

| | | | |
|-------|-------|------------------------------|---------------|
| 10201 | 68-69 | Pre-Assembled Front End (PM) | 3200.00 ea ND |
| 10467 | 70-72 | Pre-Assembled Front End (PM) | 3200.00 ea ND |
| 10468 | 73-74 | Pre-Assembled Front End (PM) | 4110.00 ea ND |
| 10202 | 75-79 | Pre-Assembled Front End (PM) | 3995.00 ea ND |
| 10203 | 80-82 | Pre-Assembled Front End (PM) | 3995.00 ea ND |

Front End - One Piece - Door to Door

Front Ends come with header bar and nose reinforcements installed. All one piece front ends are hand layed. Crating is Extra.

| | | | |
|------|-------|--|---------------|
| 9020 | 68-69 | Front End w/Header Bar installed (T). | 1395.00 ea LD |
| 9022 | 70-72 | Front End w/Header Bar installed (T). | 1395.00 ea LD |

Hood Surround Reinforcements & Header Bar

| | | | |
|------|-------|--|-----------|
| 6423 | 68-72 | Hood Surround Reinforcement (Rivets to Surround) | 95.00 ea |
| 6425 | 73-74 | Hood Surround Reinforcement (Rivets to Surround) | 109.00 ea |
| 6426 | 75-82 | Front Bumper CoverRein/Nose Bar (Rivets to Surround) | 85.00 ea |
| 5999 | 68-82 | Aluminum Body Rivets - 1/2' large flat head 5/8" long (25 pcs) | 4.00 set |
| 6033 | 68-82 | Aluminum Body Rivets - 1/2" large flat head 7/16" long (25 pcs) | 4.00 set |
| 6588 | 68-82 | Header Bar (behind headlight openings) | 79.00 ea |
| 6492 | 68-82 | Header Bar Bracket - (Bolts to Header Bar End and Inner Fender) - Lt | 11.00 ea |
| 6493 | 68-82 | Header Bar Bracket - (Bolts to Header Bar End and Inner Fender) - Rt | 11.00 ea |
| 9078 | 68-82 | Header Bar Bracket Skirt Reinforcement Plate - SS | 6.50 ea |

Front End Panels

| | | | |
|--|-------|---|----------------|
| 9045 | 68-72 | Top Surround Panel w/Header Bar Installed - Press Molded | (T).1050.00 ea |
| 9047 | 73-74 | Top Surround Panel w/Header Bar Installed - Press Molded | (T).1175.00 ea |
| 9049 | 75-82 | Top Surround Panel w/Header Bar Installed - Press Molded | (T).1299.00 ea |
| 9192 | 68-69 | Stock Side Fender Panel, (PM) - Lt | 350.00 ea |
| 9193 | 68-69 | Stock Side Fender Panel, (PM) - Rt | 350.00 ea |
| 9194 | 70-72 | Stock Side Fender Panel, (PM) - Lt | 350.00 ea |
| 9195 | 70-72 | Stock Side Fender Panel, (PM) - Rt | 350.00 ea |
| 9196 | 73-79 | Stock Side Fender Panel, (PM) - Lt | 375.00 ea |
| 9197 | 73-79 | Stock Side Fender Panel, (PM) - Rt | 375.00 ea |
| 9198* | 80-82 | Stock Side Fender Panel, (HL) - Lt | 300.00 ea |
| 9199* | 80-82 | Stock Side Fender Panel, (HL) - Rt | 300.00 ea |
| *NOTE: #9198 - #9199 are all TRUCK SHIP Items | | | |
| 9190 | 68 | Inner Skirt (Correct) - Lt (PM) | 290.00 ea |
| 9191 | 68 | Inner Skirt (Correct) - Rt (PM) | 320.00 ea |
| 9125 | 68-72 | Inner Skirt (Correct) - Lt (PM) | 320.00 ea |
| 9126 | 68-72 | Inner Skirt (Correct) - Rt (PM) | 320.00 ea |
| 9129 | 73-79 | Inner Skirt - Lt...(PM) | 320.00 ea |
| 9130 | 73-79 | Inner Skirt - Rt...(PM) | 320.00 ea |
| 9133 | 80-82 | Inner Skirt - Lt...(PM) | 300.00 ea |
| 9134 | 80-82 | Inner Skirt - Rt...(PM) | 300.00 ea |
| 9137 | 68-72 | Front Lower Valence Panel - (PM) | 160.00 ea |
| 9351 | 68-72 | Lower Valence Panel Retainer - Fits between Rad. and Lwr Valence Panel (PM) | 75.00 ea |
| 9138 | 73-79 | Front Lower Valence Panel - (PM) | 69.00 ea |
| 1781 | 75-79 | Front Bumper/Valence Panel Lower Retainer | 45.00 ea |
| 9038 | 73-79 | Front Lower ValencePanel/Side Fender Reinforcement - Lt | 21.50 ea |
| 9039 | 73-79 | Front Lower Valence Panel/Side Fender Reinforcement - Rt | 21.50 ea |

Front Bonding Strips (PM)

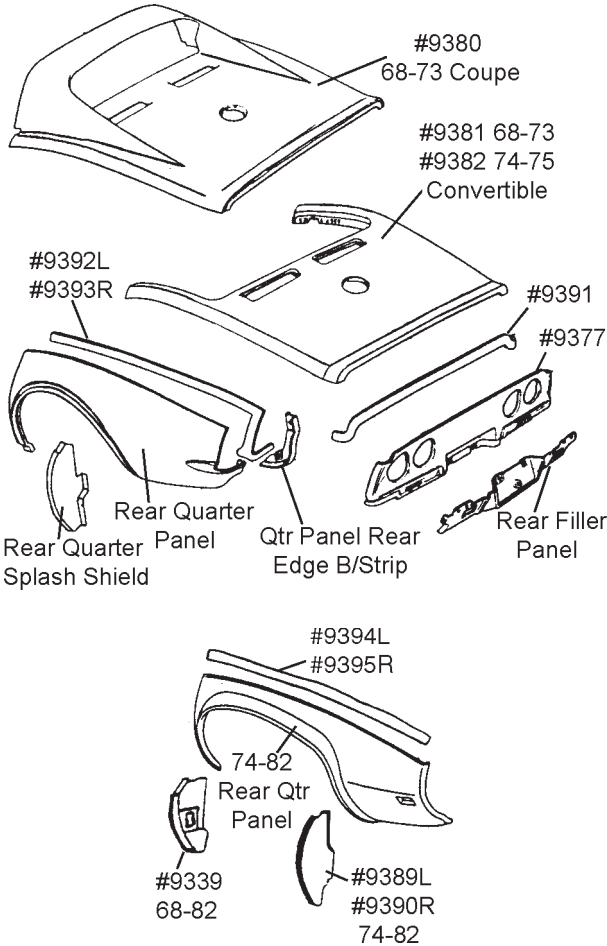
| | | | |
|------|-------|---|----------|
| 9345 | 68-72 | Top Surround to Side Panel Bonding Strip - Lt (PM) | 79.00 ea |
| 9346 | 68-72 | Top Surround to Side Panel Bonding Strip - Rt (PM) | 79.00 ea |
| 9347 | 73-82 | Top Surround to Side Panel Bonding Strip - Lt (PM) | 79.00 ea |
| 9348 | 73-82 | Top Surround to Side Panel Bonding Strip - Rt (PM) | 79.00 ea |
| 9349 | 68-72 | Lower Valence Panel to Side Panel Bonding Strip - Lt (PM) | 35.00 ea |
| 9350 | 68-72 | Lower Valence Panel to Side Panel Bonding Strip - Rt (PM) | 35.00 ea |

SHIPPING COSTS ARE EXTRA ON ALL FIBERGLASS

FIBERGLASS (continued)

Abbreviations:

- (T) Truck Shipped
- (PM) Press Molded - in the description means the panel has a smooth surface inside and out as original.
- (HL) Hand Layed



Custom Rear Filler Panels

These panels are for the installation of side exhaust on a car that currently has under car exhaust. It is designed to fill in the openings on the rear quarter panels. \$10.00 Crating Fee plus shipping

| | | | |
|------|-------|--|-----------|
| 9484 | 68-69 | Custom Rear Filler Panel (1968 there are no provisions for back-up lights) | 169.00 ea |
| 9485 | 70-73 | Custom Rear Filler Panel | 169.00 ea |

See BUMPER Section for Urethane & Fiberglass BUMPERS

Stock Rear Panels

| | | | |
|-------|-------|--|-----------|
| 9366 | 68-69 | Rear Quarter Panel, (PM) - Lt | 300.00 ea |
| 9367 | 68-69 | Rear Quarter Panel, (PM) - Rt | 300.00 ea |
| 9368 | 70-72 | Rear Quarter Panel, (PM) - Lt | 300.00 ea |
| 9369 | 70-72 | Rear Quarter Panel, (PM) - Rt | 300.00 ea |
| 10471 | 73 | Rear Quarter Panel, (PM) - Lt | 330.00 ea |
| 10472 | 73 | Rear Quarter Panel, (PM) - Rt | 330.00 ea |
| 9370 | 74-82 | Rear Quarter Panel, (HL) - Lt | 210.00 ea |
| 9371 | 74-82 | Rear Quarter Panel, (HL) - Rt | 210.00 ea |
| 9438 | 74-82 | Rear Quarter Panel, (SMC) - Lt | 375.00 ea |
| 9439 | 74-82 | Rear Quarter Panel, (SMC) - Rt | 375.00 ea |
| 9373 | 68 | Rear Filler Panel, lamp retainers installed except Side Exhaust (PM) | 290.00 ea |
| 9374 | 69 | Rear Filler Panel, exc side exhaust (PM) | 200.00 ea |
| 9375 | 70-73 | Rear Filler Panel, exc side exhaust (PM) | 200.00 ea |
| 9376 | 69 | Rear Filler Panel w/Side Exhaust (PM) | 230.00 ea |
| 9377 | 68-73 | Tail Lamp Panel (PM) | 330.00 ea |
| 9380 | 68-73 | Coupe Rear Upper Deck Panel (HL)..(T) | 615.00 ea |
| 9381 | 68-73 | Conv. Rear Upper Deck Panel -(PM).(T).. | 475.00 ea |
| 9382 | 74-75 | Conv. Rear Upper Deck Panel -(PM) (T).. | 825.00 ea |

Splash Shield and Rear Panel Bonding Strips

| | | | |
|-------|-------|--|----------|
| 9339_ | 68-82 | Rear Qtr Panel Front Splash Shield (behind lock pillar (specify Lt or Rt) (PM) | 90.00 ea |
| 9385 | 68-69 | Rear 1/4 Panel Splash Shield - Lt (PM) ... | 65.00 ea |
| 9386 | 68-69 | Rear 1/4 Panel Splash Shield - Rt (PM) ... | 65.00 ea |
| 9387 | 70-73 | Rear 1/4 Panel Splash Shield - Lt (PM) ... | 65.00 ea |
| 9388 | 70-73 | Rear 1/4 Panel Splash Shield - Rt (PM) ... | 65.00 ea |
| 9389 | 74-82 | Rear 1/4 Panel Splash Shield - Lt (PM) ... | 75.00 ea |
| 9390 | 74-82 | Rear 1/4 Panel Splash Shield - Rt (PM) ... | 75.00 ea |
| 9391 | 68-73 | Upper Bonding Strip - Tail Lamp Panel (PM) | 65.00 ea |
| 9392 | 68-73 | Rear Quarter Panel to Upper Deck Lid Bonding Strip - Lt (PM) | 70.00 ea |
| 9393 | 68-73 | Rear Quarter Panel to Upper Deck Lid Bonding Strip - Rt (PM) | 70.00 ea |
| 9394 | 74-82 | Rear Quarter Panel to Upper Deck Lid Bonding Strip - Lt (PM) | 70.00 ea |
| 9395 | 74-82 | Rear Quarter Panel to Upper Deck Lid Bonding Strip - Rt (PM) | 70.00 ea |
| 9396 | 69 | Bonding Strip - Quarter Panel Rear Edge w/Side Exhaust - Lt (PM) | 35.00 ea |
| 9397 | 69 | Bonding Strip - Quarter Panel Rear Edge w/Side Exhaust - Rt (PM) | 35.00 ea |
| 9343 | 68-69 | Bonding Strip - Quarter Panel Rear Edge w/Rear Exhaust - Lt (PM) | 35.00 ea |
| 9344 | 68-69 | Bonding Strip - Quarter Panel Rear Edge w/Rear Exhaust - Rt (PM) | 35.00 ea |
| 9341 | 70-73 | Bonding Strip - Quarter Panel Rear Edge w/Rear Exhaust - Lt (PM) | 35.00 ea |
| 9342 | 70-73 | Bonding Strip - Quarter Panel Rear Edge w/Rear Exhaust - Rt (PM) | 35.00 ea |

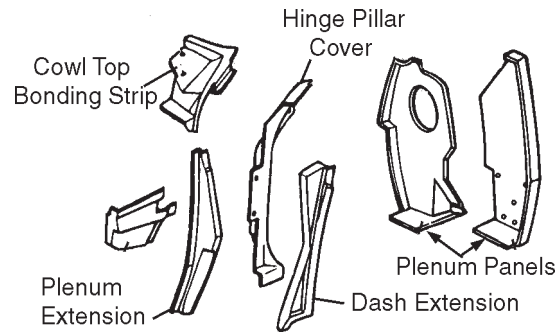
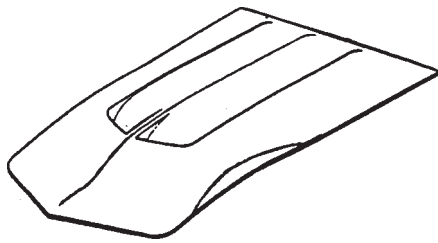
Bonding Materials, Fillers, Resins & Gelcoat

| | | | |
|--|-----|--|-------------|
| 9501 | ALL | Body Filler and Adhesive, Quart | 28.00 ea ND |
| 9500 | ALL | Body Filler and Adhesive, Gallon | 89.99 ea ND |
| #9501 & 9500 used for Bonding and Filling of Regular Fiberglass but Only as a Filler on Sheet Moulded Type (it will not bond sheet molded type). | | | |
| 9507 | ALL | Body Adhesive, Stronger Polyester for Regular Fiberglass and Sheet Moulded Type, Quart | 30.00 ea ND |

SHIPPING IS EXTRA ON ALL FIBERGLASS ITEMS

There is a Packaging or Crating Charge on Some Fiberglass Items - INQUIRE

FIBERGLASS (continued)

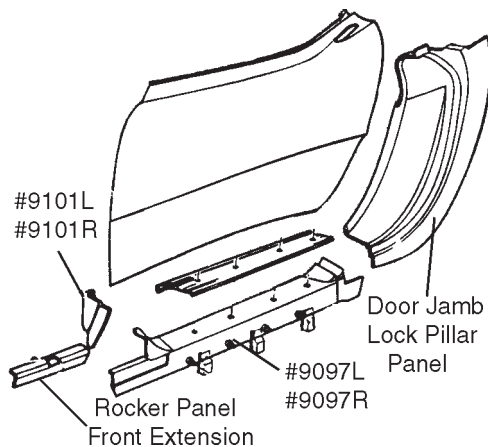


Stock Hood Assemblies

| | | | |
|-------|-------|---|------------------|
| 10470 | 68-69 | Hood Assy - Small Block- (PM).....(T) .. | 950.00 ea |
| 9355 | 70-72 | Hood Assy - Small Block - (PM) (T).... | 950.00 ea |
| 9356 | 68-72 | Hood Assy. - Big Block, LT-1 (PM) | (T),1255.00 ea |
| 9357 | 68-72 | Hood Assy. - L-88 Design with Fresh Air Chamber - (PM) | (T)...1470.00 ea |
| 9358 | 73-75 | Hood Assy. - (PM) | (T)...750.00 ea |
| 9358 | 76 | Hood Assy. - (PM) | (T)...750.00 ea |
| 9358 | 77-79 | Hood Assy. - (PM) | (T)...750.00 ea |
| 9361 | 80-82 | Hood Assy. - (HL) | (T).. 750.00 ea |

Plenum, Cowl and Hinge Pillar

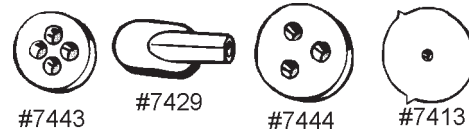
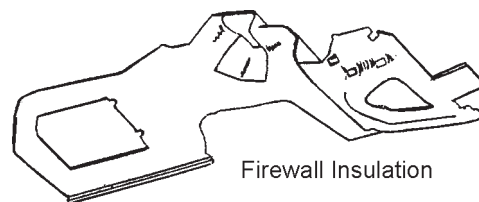
| | | | |
|-------|-------|---|----------|
| 7901_ | 68-72 | Cowl Top Bonding Strip - Specify Lt or Rt | 65.00 ea |
| 7903_ | 73-82 | Cowl Top Bonding Strip - Specify Lt or Rt | 65.00 ea |
| 9040_ | 68-72 | Plenum Panels (PM) - Specify Lt or Rt | 80.00 ea |
| 9188_ | 73-82 | Plenum Panels (PM) - Specify Lt or Rt | 80.00 ea |
| 9041_ | 68-69 | Plenum Side Extensions (PM) - Specify Lt or Rt | 75.00 ea |
| 9042_ | 70-72 | Plenum Side Extensions (PM) - Specify Lt or Rt | 75.00 ea |
| 9043_ | 68-82 | Hinge Pillar Cover - Specify Lt or Rt | 65.00 ea |
| 9085_ | 68-82 | Dash Extension Panels - Specify Lt or Rt | 65.00 ea |



Door Lock Pillar and Rocker Panel

| | | | |
|-------|--------|---|-----------|
| 9378_ | 68-75 | Conv Door Jamb Lock Pillar Panel Specify Lt or Rt | 120.00 ea |
| 9095_ | 68-79E | Coupe Door Jamb Lock Pillar Panel Specify Lt or Rt | 120.00 ea |
| 9096_ | 79L-82 | Door Jamb Lock Pillar Panel Specify Lt or Rt | 135.00 ea |
| 9097_ | 68-82 | Rocker Panel - Specify Lt or Rt | 165.00 ea |
| 9098_ | 68-69 | Rocker Panel Front Extension - Specify Lt or Rt | 50.00 ea |
| 9099_ | 70-72 | Rocker Panel Front Extension - Specify Lt or Rt | 50.00 ea |
| 9100_ | 73-82 | Rocker Panel Front Extension - Specify Lt or Rt | 50.00 ea |
| 9101_ | 68-82 | Door Sill Filler - Specify Lt or Rt | 40.00 ea |

FIREWALL



| | | | |
|-------|-------|---|------------|
| 7432_ | 68-72 | Firewall Insulation Less Fasteners - Exact reproduction of Interior Firewall Insulation with Rubberized Coating (Specify Year, Horsepower, Std. or Auto Transmission) | 339.00 set |
| 7451 | 73-75 | Firewall Insulation Exact Repro | 339.00 set |
| 7468 | 76-82 | Firewall Insulation - Made like the GM Replacement | 339.00 set |
| 5100 | 68-75 | Upper Firewall Sound Deadener - glues to firewall above insulation | 41.00 set |
| 5094 | 68-82 | Rubber Firewall Insulation Fasteners | 1.75 ea |
| 1261 | 68-81 | Clutch Rod Firewall Boot | 14.00 ea |
| 7444 | 68-82 | 3 Hole Vacuum Hose Firewall Grommet | 6.00 ea |
| 7429 | 68-76 | Hood Release Cable Grommet | 7.00 ea |
| 7442 | 77-82 | Hood Release Cable Grommet | 7.00 ea |
| 7443 | 68-74 | Tach Cable Grommet (4 Hole) also carries Oil Pressure Line, Back-Up Wires, Power Window & Auto Trans. Wires. | 6.00 ea |
| 7413 | 68-82 | Speedo Cable Grommet - 1 Hole (repl) | 4.00 ea |
| 7428 | 68-82 | Speedo Cable Grommet - 1 Hole (correct) | 10.00 ea |
| 7322 | 68-73 | Accelerator Firewall Seal | 3.50 ea |
| 7323 | 74-82 | Accelerator Firewall Seal | 3.50 ea |

See also GASKETS & SEALS

FUEL SYSTEM & RELATED

Carbon Steel Gas Lines - Pump to Carb

Gas Lines are steel tubing with double inverted flares and steel nuts, as original. All are prebent into exact shape as original.

| | | | |
|------|-------|---|-----------|
| 6132 | 68-69 | 300, 350 HP, 3 Lines w/o Filter | 42.00 set |
| 6134 | 68 | 390 HP, 3 Lines w/o Filter | 42.00 set |
| 6145 | 69 | 390 HP, 3 Lines w/o Filter | 42.00 set |
| 6135 | 68-69 | 400, 435 HP, 5 Lines, 2 Blocks | 59.00 set |
| 6136 | 68-69 | L-88, 3 Lines w/Special "Y" Block | 57.50 set |
| 6138 | 70-76 | 300, 350 HP, L-48, L-82 | 25.00 set |
| 6139 | 70-72 | LT-1, 3 Piece w/Special "Y" Block | 55.00 set |
| 6147 | 70-74 | 454 All w/Q-Jet Carb | 23.50 set |
| 6148 | 71 | LS-6, 3 Lines and "T" Block | 58.50 set |
| 6149 | 77-81 | 350 Pump to Carb Line | 25.50 set |
| 8145 | 77-81 | Fuel Line to Fuel Pump Elbow | 3.00 ea |

Stainless Steel Gas Lines - Pump to Carb

Gas Lines are stainless steel tubing with double inverted flares and steel nuts. All are prebent into original shape.

| | | | |
|------|-------|---|-----------|
| 8132 | 68-69 | 300, 350 HP, 3 Lines w/o Filter | 49.00 set |
| 8136 | 68 | 390 HP, 3 Lines w/o Filter | 49.00 set |
| 8137 | 69 | 390 HP, 3 Lines w/o Filter | 49.00 set |
| 8135 | 68-69 | 400, 435 HP, 5 Lines, 2 Blocks | 64.00 set |
| 8140 | 68-69 | L-88, 3 Lines w/Special "Y" Block | 62.50 set |
| 8138 | 70-76 | 300, 350 HP, L-48, L82 | 28.50 set |
| 8139 | 70-72 | LT-1, 3 Lines w/Special "Y" Block | 60.00 set |
| 8225 | 70-74 | 454 All Q-Jet Carb | 29.00 set |
| 8148 | 71 | LS-6, 3 Lines and "T" Block | 79.00 set |
| 8149 | 77-81 | 350 Pump to Carb Line | 30.00 set |
| 8145 | 77-81 | Fuel Line to Fuel Pump Elbow | 3.00 ea |

Fuel Pumps - Correct Appearance

New or rebuilt pumps with AC cast into the top or side of the main body of the pump as originally produced. Fuel Pumps are original style die cast or steel crimp and include the original part # stamped on the top.

| | | | |
|------|-------|---------------------------------------|--------------|
| 6769 | 68-69 | 427, 390 HPw/Q-Jet Carb..#40659 | 169.00 ea ND |
| 6272 | 70-71 | 350 w/LT-1 #40709 | 169.00 ea ND |

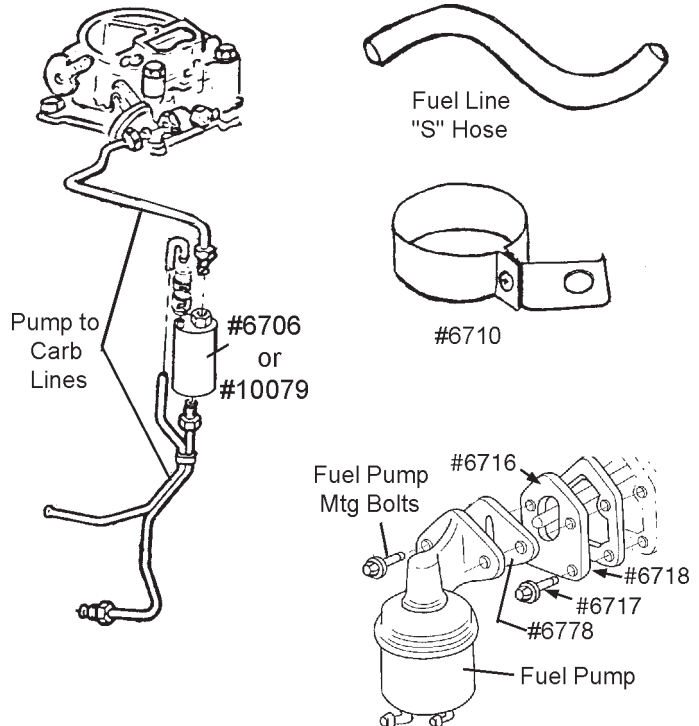
Fuel Pumps - Replacement

Replacement AC Delco fuel pumps are new. These pumps do not carry the AC cast on top. These replacement pumps fit all factory style lines correctly, and are available for the applications below.

| | | | |
|------|-------|--|----------|
| 6250 | 68-69 | 327/350 (Repl #40709) | 32.00 ea |
| 6770 | 68-69 | 427 Fuel Pump - Repl | 35.00 ea |
| 6251 | 70-72 | LT-1 #40709 | 32.00 ea |
| 6252 | 70-76 | Small Block exc LT-1 (Repl #41240) | 35.00 ea |
| 6253 | 70-74 | 454 w/Q-Jet #40770 | 35.00 ea |
| 6254 | 77-81 | 350 #41240 | 35.00 ea |
| 6255 | 82 | 350 Fuel Pump Inside Tank | 62.50 ea |

Fuel Pump Related

| | | | |
|------|-------|---|---------|
| 6715 | 68-81 | Fuel Pump Push Rod | 9.00 ea |
| 6716 | 68-81 | Fuel Pump Mount Plate 327/350 | 8.50 ea |
| 6717 | 68-82 | Fuel Pump Mount Plate Bolts 327/350 | 2.00 pr |
| 6718 | 68-81 | Fuel Pump Plate Gasket 327/350 | 2.75 ea |
| 8772 | 68-72 | Fuel Pump Mounting Bolts 327/350 | 3.00 pr |
| 6777 | 68-72 | Fuel Pump Mounting Bolts 427/454 | 3.00 pr |
| 6778 | 68-81 | Fuel Pump Gasket - GM | 2.00 ea |



Fuel Filters, Brackets, Etc.

| | | | |
|-------|-------|--|-----------|
| 6706 | 68-69 | Fuel Filter and Bracket 300, 350 390 HP, GF432 Replacement Filter 2.160 O.D. includes oversized bracket | 36.00 kit |
| 10079 | 68-69 | GF-432 Fuel Filter - Correct 300, 350, 390 HP | DISC |
| 6710 | 68-69 | Fuel Filter Bracket 300, 350, 390 HP for original GF 432 Filter | 11.00 ea |
| 6720 | 68-69 | Fuel Filter Hose & Clamp Set | 5.00 set |
| 6137 | 70-72 | Fuel Line Support Bracket w/350 LT-1, SpecHiPer Holley Carb, (clamps rear bowl fuel line to right rear carb stud) includes pinch screw | 22.00 ea |

Hoses & Clips

| | | | |
|------|-------|--|-----------|
| 4485 | 68 | Brake & Fuel Line Clip Set | 12.50 set |
| 6215 | 68 | Brake & Fuel Line Clip Set w/o Fuel Return Line | 12.50 set |
| 4486 | 69-72 | Brake & Fuel Line Clip Set | 18.00 set |
| 6216 | 69-72 | Brake & Fuel Line Clip Set w/o Fuel Return Line | 18.00 set |
| 4487 | 73 | Brake & Fuel Line Clip Set | 12.50 set |
| 4488 | 74-82 | Brake & Fuel Line Clip set | 25.00 set |
| 6237 | 69-82 | Brake & Gas Line Clip Bolt Set (5 pc) | 4.50 set |
| 6788 | 68-69 | Rubber Hose w/Clamps - long line to pump .. | 6.50 kit |
| 6283 | 68-69 | Rubber Hose w/Clamps - sending unit to long line | 4.00 kit |
| 6714 | 70-74 | Rubber Hose w/Clamps - sending unit to long line | 6.50 kit |
| 6240 | 68-81 | Vapor Return "S" Hose | 10.00 ea |
| 6814 | 69-74 | Vapor Return Line Rear Hose | 6.75 ea |
| 6805 | 70-81 | Pump to Main Gas Line "S" Hose | 12.00 ea |

FUEL SYSTEM (continued)

Carbon Steel Gas Lines - Tank to Pump and Return Lines

| | | | |
|------|-------|--|----------|
| 6218 | 68 | Tank to Pump Line | 57.00 ea |
| 6222 | 68 | Gas Tank Fuel Return Line Right Side | 57.00 ea |
| 6221 | 69 | Tank to Pump Line | 57.00 ea |
| 6223 | 69-77 | Gas Tank Fuel Return Line Right Side | 57.00 ea |
| 6224 | 70-77 | Gas Tank Vapor Return Line Left Side | 57.00 ea |
| 6220 | 70-77 | Tank to Pump Line | 57.00 ea |

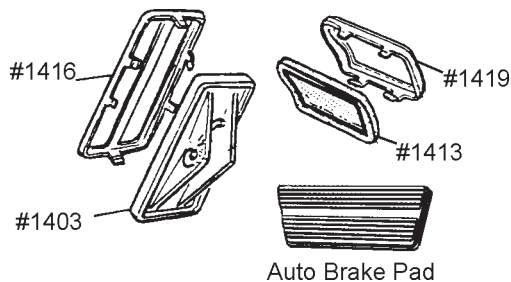
Stainless Steel Gas Lines - Tank to Pump and Return Lines

| | | | |
|------|-------|---|----------|
| 8218 | 68 | Tank to Pump Line | 72.50 ea |
| 8222 | 68 | Gas Tank Fuel Return Line, Rt Side | 72.50 ea |
| 8221 | 69 | Tank to Pump Line | 72.50 ea |
| 8223 | 69-77 | Gas Tank Fuel Return Line, Rt Side | 72.50 ea |
| 8224 | 70-77 | Gas Tank Vapor Return Line, Lt Side | 72.50 ea |
| 8220 | 70-77 | Tank to Pump Line | 72.50 ea |
| 8255 | 78-82 | Tank to Pump Line, Rt Side | 75.00 ea |
| 8287 | 78-82 | Gas Tank Fuel Return Line, Rt Side | 75.00 ea |
| 8300 | 78-82 | Gas Tank Vapor Return Line, Lt Side | 75.00 ea |

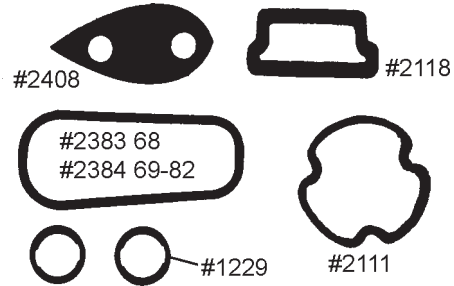
Fuel Vapor Canisters

| | | | |
|------|-------|---|----------|
| 8380 | 70-73 | Fuel Vapor Canister (70 exc SpHiPer) | 58.00 ea |
| 8381 | 74-77 | Fuel Vapor Canister | 71.50 ea |
| 8382 | 78-80 | Fuel Vapor Canister (80 L-48 only) | 83.50 ea |
| 8383 | 80-81 | Fuel Vapor Canister (80 L-82, 81 All) | 84.50 ea |
| 8384 | 82 | Fuel Vapor Canister | 70.00 ea |

GAS & BRAKE PEDALS



| | | | |
|------|--------|---|----------|
| 1403 | 68-72E | Gas Pedal | 7.00 ea |
| 1416 | 68-72E | Gas Pedal Stainless Trim | 6.00 ea |
| 1404 | 72L-82 | Gas Pedal | 9.75 ea |
| 7450 | 68-82 | Gas Pedal Tension Spring | 5.00 ea |
| 7453 | 68-82 | Gas Pedal Pivot Pin | 3.00 ea |
| 1413 | 68-79 | Brake or Clutch Pad, 4sp. | 5.50 ea |
| 1419 | 68-79 | Brake or Clutch Pad Stainless Trim, 4sp | 6.50 ea |
| 1414 | 68-79 | Brake Pad w/Auto | 6.50 ea |
| 1420 | 68-79 | Brake Pad Stainless Trim w/Auto. | 6.50 ea |
| 4847 | 80-81 | Brake Pad - Manual | 7.00 ea |
| 4848 | 80-81 | Clutch Pad - Manual | 11.50 ea |
| 4849 | 80-82 | Brake Pad - Auto | 7.00 ea |
| 1293 | 68-82 | Brake Pedal Return Spring Underdash | 5.50 ea |



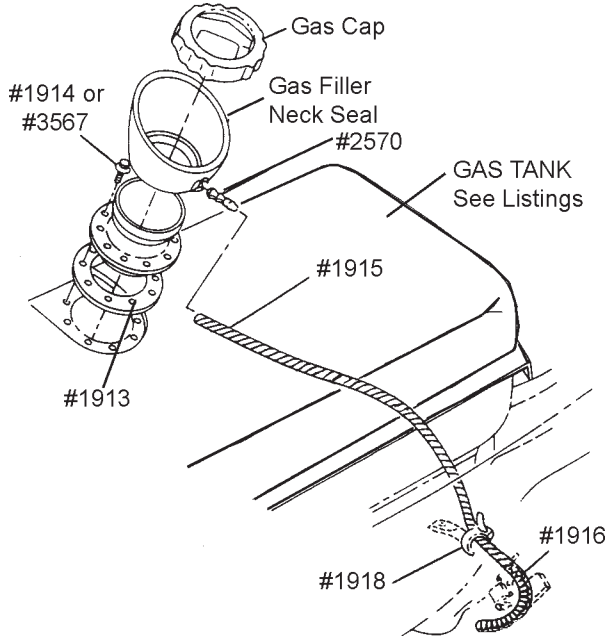
GASKETS & SEALS

| | | | |
|------|-------|--|-----------|
| 2383 | 68 | Door Handle Gaskets | 2.00 ea |
| 2384 | 69-82 | Door Handle Gaskets | 1.50 ea |
| 1229 | 68-82 | Door Lock Cylinder Gaskets | 2.00 pr |
| 2108 | 68-82 | Fresh Air Vent Door Seal Repair Kit | 10.00 kit |
| 2035 | 68-69 | Parking Lamp Lens Gasket | 3.50 pr |
| 2023 | 70-72 | Parking Lamp Lens Gasket | 4.50 pr |
| 2117 | 68-73 | Tail Lamp Housing to Body Gaskets (4 pc) | 9.00 set |
| 2111 | 68-73 | Tail Lamp Lens Gaskets - Repr (4 pc) | 9.00 set |
| 2118 | 68 | Back-Up Light Lens Gasket | 4.25 pr |
| 2119 | 68 | Back-Up Light to Body Gasket | 8.00 pr |
| 2138 | 68-69 | Side Marker Lamp Gasket (4 pcs) | 6.50 set |
| 2099 | 68-73 | License Lamp Lens Gasket | 2.50 ea |
| 2489 | 68-75 | Rear Conv. Top & Hardtop Latch on Deck Lid Bezel Gaskets | 3.00 pr |
| 2114 | 68-75 | Hardtop Side Anchor Nut Gasket | .75 ea |
| 2115 | 68-75 | Hardtop Rear Ferrule Gasket | 1.50 pr |
| 2408 | 68-77 | Outside Mirror Gasket | 2.50 ea |
| 3826 | 77-82 | Sport Mirror Mount Gasket - Lt or Rt | 5.00 ea |
| 7091 | 68 | Rear Vent Door Seal Kit | 13.00 kit |
| 7092 | 69-76 | Rear Vent Door Seal Kit exc Air | 19.00 kit |
| 7093 | 69-76 | Rear Vent Door Seal Kit w/Air | 13.00 kit |

Body Gasket Sets

| | | | |
|------|-------|---|-----------|
| 7204 | 68 | Body Seal 27 Piece Set Includes seals for door lock cylinders, door handles, antenna, deck lid locks, parking lamp lens, license lens, tail lamp lens & body, back-up lamp lens & body, side marker lamps, and mirror. | 39.00 set |
| 7205 | 69 | Body Seal 23 Piece Set Includes seals for door lock cylinders, door handles, antenna, deck lid locks, license lens, parking lamp lens, tail lamp lens & body, side marker lamps and mirror | 33.00 set |
| 7206 | 70-72 | Body Seal 19 Piece Set Includes seals for door lock cylinders, door handles, antenna, deck lid locks, license lens, parking lamp lens, tail lamp lens & body, and mirror | 29.00 set |
| 7203 | 73 | Body Seal 17 Piece Set Includes seals for door lock cylinders, door handles, antenna, deck lid locks, license lens, tail lamp lens & body, and mirror | 26.00 set |

GAS TANK & GAS DOOR



68-77 Gas Tanks

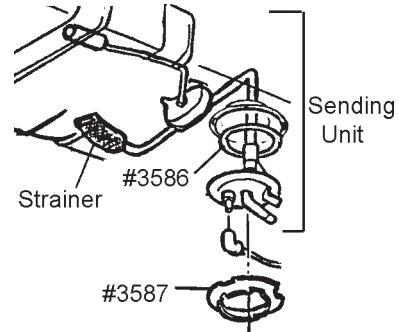
Gas Tanks have correct indents and tubes as original, original finish and are of high quality. ALL Tanks have the original O.L. Anderson LOGO

68-74 Tanks include #1913 gasket, #3586 gasket, #3587 lock ring and #1914 screws.

| | | | |
|--|--------|--|--------------|
| 9237 | 68-69E | Gas Tank 400HP, 435HP, SpHiPer, L-88 (rounded side indents, no tubes) GM# 3931820 | 219.00 ea ND |
| 9238 | 68-69E | Gas Tank Base Engine, 350HP, 390HP (cars with Rt Side fuel return tube) GM #3923687 | 219.00 ea ND |
| The break-off point between 69 Early & 69 Late was approx July 29, 1969 | | | |
| 3540 | 69L-70 | Gas Tank Base Engine, 350HP, 390HP (has square side indents with Rt Side fuel return tube) GM#3967741 | 219.00 ea ND |
| 3542 | 69L-70 | Gas Tank 69 400HP, 435HP, 430HP & 70 LT-1 (370 HP) w/o EEC (has square side indents, no tubes) GM#3967746 | 219.00 ea ND |
| 9239 | 70-72 | Gas Tank - Fits: 70 LT-1 w/EEC 71-72 LT-1 (has square side indents & Lt Side Tube & bracket for EEC) GM# 3967755 | 219.00 ea ND |
| 3554 | 70-74 | Gas Tank - Fits: 70 w/EEC but w/o LT-1 71-72 w/o LT-1 73-74 ALL (has square side indents, Lt Side Tube Rt Side Tube & Bracket for EEC) GM #3967749 | 219.00 ea ND |
| 10075 | 75-77 | Gas Tank (includes #3567 screws) | 219.00 ea ND |
| 10679 | 70-74 | Gas Tank Valve | 44.95 ea |

Gas Tank Related

| | | | |
|-------|-------|---|-----------|
| 3588 | 71-74 | Gas Tank Shield | 18.95 ea |
| 2581 | 68-74 | Gas Tank Strap | 28.00 pr |
| 3529 | 75-77 | Gas Tank Strap | 28.00 pr |
| 3533 | 78-82 | Gas Tank Strap | 28.00 pr |
| 3534 | 68-77 | Gas Tank Mounting Pads | 5.00 pr |
| 3536 | 78-82 | Gas Tank Mounting Pads | 5.00 pr |
| 1988 | 68-77 | Gas Tank Strap Anti-Squeak Pads | 5.00 pr |
| 2569 | 68-74 | Gas Filler Neck Seal - GM | 32.50 ea |
| 10362 | 68-74 | Gas Filler Neck Seal - Repro | 20.00 ea |
| 10360 | 75-77 | Gas Filler Neck Boot (seal) | 34.95 ea |
| 3559 | 78-82 | Gas Filler Neck Seal - GM | 21.00 ea |
| 1913 | 68-74 | Gas Filler Neck to Gas Tank Cork Gasket | 2.50 ea |
| 1914 | 68-74 | Gas Neck to Tank Screws w/"O" Ring Seal (9 pcs) | 13.50 set |
| 3567 | 75-79 | Gas Filler Neck to Tank Screws w/"O"Ring Seal | 1.75 ea |
| 1915 | 68-82 | Filler Neck Overflow Hose | 5.50 ea |
| 1916 | 68-74 | Filler Neck Overflow Hose Spring | 5.50 ea |
| 2570 | 68-82 | Filler Neck Overflow Hose Nipple | 3.50 ea |
| 1918 | 68-74 | Filler Neck Overflow Hose 5" Black Strap .. | 1.50 ea |
| 2556 | 68-69 | Gas Cap Vented w/Correct Logo | 27.00 ea |
| 2557 | 70-74 | Gas Cap Non-Vented w/Correct Logo (70-71 Replacement) | 35.00 ea |
| 10458 | 68-74 | Locking Gas Cap - Vented (chrome) | 39.95 ea |
| 2041 | 68-74 | Gasket for Gas Cap | 2.25 ea |
| 3557 | 75-77 | Gas Cap Raised Handle | 8.50 ea |
| 3558 | 78-82 | Gas Cap Flat Style | 8.50 ea |
| 10361 | 75-82 | Locking Gas Cap | 12.95 ea |



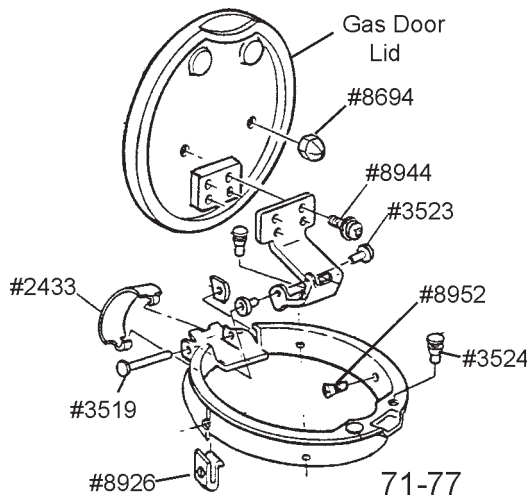
| | | | |
|-------|-------|--|-----------|
| 3582 | 68-74 | Gas Tank Sending Unit - New | 70.00 ea |
| 3563 | 75-77 | Gas Tank Sending Unit - New | 209.00 ea |
| 10056 | 78-81 | Gas Tank Sending Unit - New | 149.00 ea |
| 9547 | 82 | Gas Tank Sending Unit | 249.00 ea |
| 3586 | 68-74 | Sender to Tank "O"Ring Gasket | 2.00 ea |
| 10345 | 78-82 | Gas Tank Sending Unit Mount Gasket | 9.50 ea |
| 3587 | 68-74 | Sender to Tank Cam Lock | 3.00 ea |
| 3574 | 68-74 | Sending Unit Pick-Up Strainer | 9.50 ea |
| 3569 | 75-76 | Sending Unit Pick-Up Strainer | 18.50 ea |
| 3570 | 77-81 | Sending Unit Pick-Up Strainer | 12.50 ea |



INTERNATIONAL ORDERS

- we offer a variety of shipping methods to help you get the best price
- parts can be shipped door to door or door to airport
- we have shipped parts all over the world safely and efficiently
- if you can fax or email us your order of parts we will be happy to check current prices and get you a shipping estimate

GAS DOOR

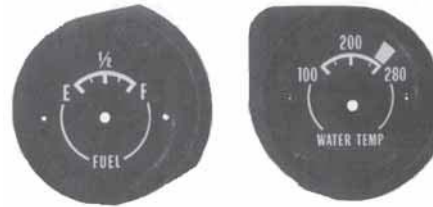


| | | | |
|------|-------|--|----------|
| 2329 | 68-70 | Gas Door Bezel & Hinge Assy | 49.95 ea |
| 2437 | 71-77 | Gas Lid Bezel Assy - includes bezel, spring, hinge, hinge pin, rubber lid bumpers, hinge bumper and hinge pin bushings | 69.95 ea |
| 3516 | 78-82 | Gas Door Bezel | .DISC |
| 8952 | 68-77 | Gas Door Bezel Screws (4) | 2.50 set |
| 8926 | 68-77 | Gas Door Bezel Nut (4) | 2.50 set |
| 3517 | 71-77 | Gas Door Hinge | 9.95 ea |
| 8944 | 68-77 | Gas Door to Hinge Chrome Screws (4) | 6.00 set |
| 2433 | 71-82 | Gas Door Hinge Spring. | 7.00 ea |
| 3519 | 71-82 | Gas Door Hinge Pin | 8.50 ea |
| 3523 | 71-82 | Gas Door Hinge Pin Bushing | 5.95 pr |
| 3524 | 69-82 | Gas Door Stop Bumper | 2.50 ea |
| 8694 | 68-82 | Gas Door Emblem Acorn Nuts (2 pc) | 1.25 pr |

Gas Door Emblems - See EMBLEM Section
Gas Door Decals - See Decal Section

GAUGES & GAUGE LENSES

| | | | |
|-------|-------|--|-----------|
| 10350 | 68 | Tachometer 5300 Redline | 139.00 ea |
| 10351 | 68 | Tachometer 5500 Redline | 139.00 ea |
| 10352 | 68 | Tachometer 6000 Redline | 139.00 ea |
| 10353 | 68 | Tachometer 6500 Redline | 139.00 ea |
| 10173 | 69-71 | Tachometer 5300 Redline | 139.00 ea |
| 10347 | 69-71 | Tachometer 5500 Redline | 139.00 ea |
| 10348 | 69-71 | Tachometer 6000 Redline | 139.00 ea |
| 10349 | 69-71 | Tachometer 6500 Redline | 139.00 ea |
| 10473 | 72-74 | Tachometer 5300 Redline | 269.95 ea |
| 10474 | 72-74 | Tachometer 5500 Redline | 269.95 ea |
| 10475 | 72-74 | Tachometer 6000 Redline | 269.95 ea |
| 10476 | 72-74 | Tachometer 6500 Redline | 269.95 ea |
| 10192 | 68-69 | Speedometer with Speed Warning | 229.95 ea |
| 10191 | 68-71 | Speedometer w/o Speed Warning | 189.95 ea |
| 10477 | 72-74 | Speedometer w/o Speed Warning | 189.95 ea |
| 5468 | 68-77 | Speedo or Tach Gauge Lens | 17.95 ea |
| 7999 | 78-82 | Speedo and Tach Gauge Lens | 49.95 ea |
| 10179 | 82 | Speedo and Tach Gauge Lens Collector's Edition | 119.95 ea |
| 8000 | 68-77 | Speedo Needle and 68-74 Tach Needle | 14.95 ea |
| 10346 | 78-82 | Speedo or Tach Needle | 9.00 ea |



| | | | |
|------|-------|--|----------|
| 7977 | 68-71 | Ammeter Gauge (Green Characters) | 59.95 ea |
| 7981 | 68-71 | Fuel Gauge (Green Characters) | 59.95 ea |
| 7933 | 68-71 | Oil Pressure Gauge (Green Characters) ... | 59.95 ea |
| 8001 | 68-71 | Water Temp. Gauge (Green Characters) .. | 59.95 ea |
| 3623 | 72-74 | Ammeter Gauge (White Characters) | 59.95 ea |
| 3632 | 72-74 | Fuel Gauge (White Characters) | 59.95 ea |
| 7934 | 72-73 | Oil Pressure Gauge (White Characters) | 59.95 ea |
| 8002 | 72-74 | Water Temp. Gauge (White Characters) ... | 59.95 ea |
| 8003 | 75-76 | Water Temp. Gauge | 59.95 ea |
| 8004 | 77 | Water Temp. Gauge (N.O.S.) | 75.00 ea |
| 7980 | 78-82 | Voltmeter | 59.95 ea |
| 7983 | 78-82 | Fuel Gauge (NOS) | 69.95 ea |
| 7987 | 78-82 | Oil Pressure Gauge | 59.95 ea |

| | | | |
|-------|-------|---|-----------|
| 7976 | 68-82 | Center Gauge Cluster Lens | 15.00 ea |
| 10425 | 68-77 | Dash Gauge Seal Kit - 9 pcs (2 speedo/ tach lens gaskets, center gauge lens gaskets and tell tale gaskets) | 24.00 kit |

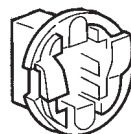
| | | | |
|-------|-------|--|--------------|
| 6266 | 75-82 | Electronic Tach Circuit Board Installation - includes installation of new circuit board and calibration of your unit (for tach only) (one year warranty) | 129.00 ea ND |
| 6600 | 75-77 | Electronic Tach Circuit Board (for these model years we recommend the installation service #6266 because the needle must be rezeroed upon installation | 64.95 ea ND |
| 6265 | 78-79 | Electronic Tach Circuit Board | 64.95 ea ND |
| 10528 | 80-82 | Electronic Tach Circuit Board | 64.95 ea ND |

| | | | |
|------|-------|---|----------|
| 7959 | 77-82 | Center Instrument Cluster Gauge Console Printed Circuit | 79.95 ea |
| 7984 | 78-82 | Speedo/Tach Cluster Printed Circuit | 79.95 ea |

| | | | |
|------|-------|--|----------|
| 9923 | 68-77 | Trip Odometer Reset Cable w/Knob | 57.00 ea |
| 5474 | 68-77 | Trip Odometer Reset Cable Knob | 3.00 ea |
| 5468 | 68-77 | Speedo or Tach Gauge Lens | 17.95 ea |

| | | | |
|------|-------|--|---------|
| 8024 | 78-82 | Instrument Cluster Bulb Socket Blue USED | 6.50 ea |
|------|-------|--|---------|

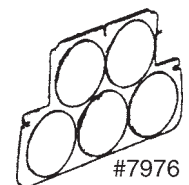
See also DASH and CLOCK Sections.



Bulb Socket

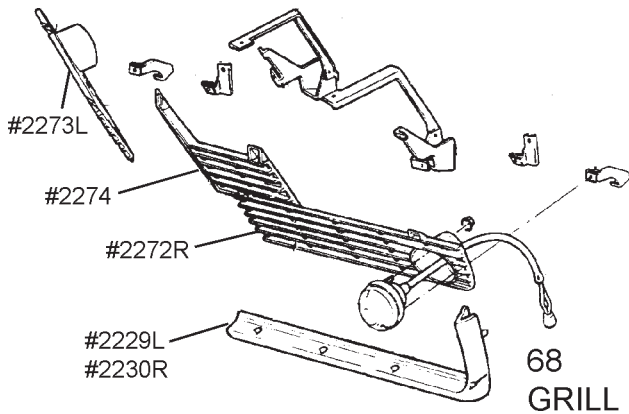


Tach Circuit Board

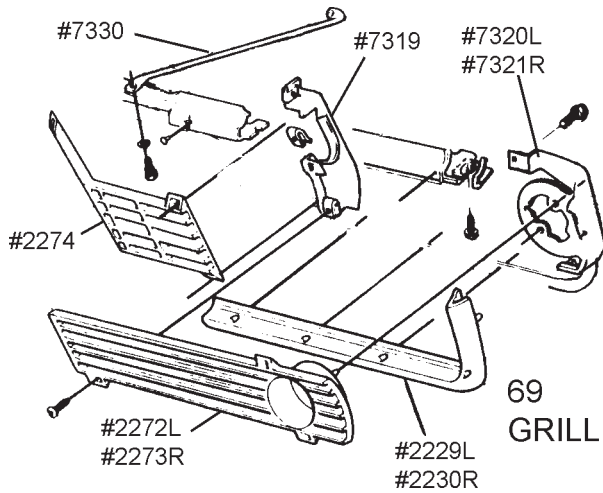


#7976

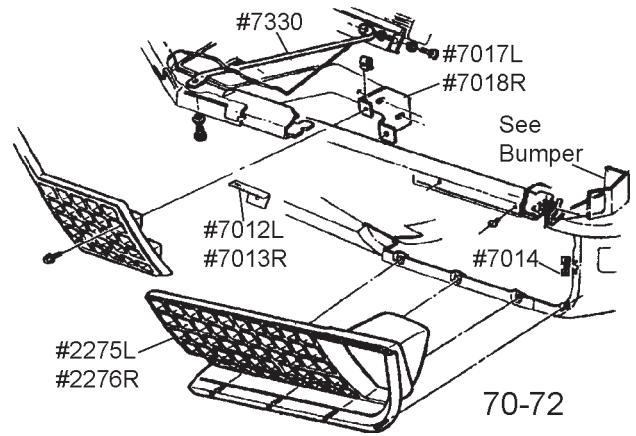
GRILL



68
GRILL



69
GRILL

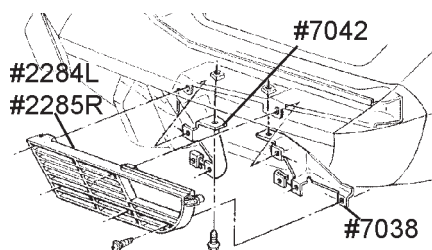


70-72

| | | | |
|------|-------|---|----------|
| 2272 | 68-69 | Outer Grill - Lt | 63.00 ea |
| 2273 | 68-69 | Outer Grill - Rt | 63.00 ea |
| 2274 | 68-69 | Center Grill | 63.00 ea |
| 7319 | 69 | **Inner Grill Brackets | 59.00 pr |
| 7320 | 69 | **Grill & Parking Lamp Support Bracket - Lt | 31.00 ea |
| 7321 | 69 | **Grill & Parking Lamp Support Bracket - Rt | 31.00 ea |

**** NOTE: 69 Grill Brackets can be used for replacements on 68**

| | | | |
|------|--------|---|----------|
| 2229 | 68-69 | Lower Grill Chrome Molding - Lt | 99.00 ea |
| 2230 | 68-69 | Lower Grill Chrome Molding - Rt | 99.00 ea |
| 8958 | 68-69 | Center & Outer Grill Mounting Screw Set | 4.75 set |
| 7330 | 68L-72 | Center Brace Rod | 19.00 ea |

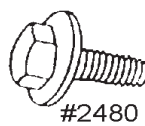


75-79

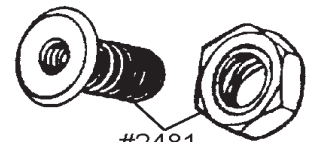
| | | | |
|------|--------|--|--------------|
| 2275 | 70-72 | Grill w/Parking Lamp - Lt (71-72 style) | 429.00 ea ND |
| 2276 | 70-72 | Grill w/Parking Lamp - Rt (71-72 style) ... | 449.00 ea ND |
| 7012 | 70-72 | Grill Bracket - Upper Inside- Lt | 12.00 ea |
| 7013 | 70-72 | Grill Bracket - Upper Inside - Rt | 12.00 ea |
| 7014 | 70-72 | Grill Bracket - Outside Lt or Rt | 29.00 ea ND |
| 7017 | 70-72 | Grill Bracket - Center Grill - Lt | 13.00 ea |
| 7018 | 70-72 | Grill Bracket - Center Grill - Rt | 13.00 ea |
| 2238 | 73 | Grill Outer, Plastic w/Chrome Edge - Lt | 89.95 ea |
| 2239 | 73 | Grill Outer, Plastic w/Chrome Edge - Rt | 89.95 ea |
| 2233 | 74 | Grill Outer Plastic - Lt | 57.95 ea |
| 2234 | 74 | Grill Outer Plastic - Rt | 57.95 ea |
| 8959 | 70-74 | Center & Outer Grill Mounting Screw Set | 5.25 set |
| 2284 | 75-79 | Grill Outer - Lt | 41.95 ea |
| 2285 | 75-79 | Grill Outer - Rt | 41.95 ea |
| 8688 | 75-79 | Grill Mount Grill Screws (8 pcs) | 5.50 set |
| 7038 | 75-79 | Grill Brackets - Outer Lt & Rt | 42.00 pr |
| 7042 | 75-79 | Grill Bracket - Inner Lt & Rt | 27.00 pr |
| 7328 | 80-82 | Grill Outer - Lt | 53.00 ea |
| 7329 | 80-82 | Grill Outer - Rt | 53.00 ea |
| 7330 | 68L-72 | Core Supp. to Header Bar Supp. Rod | 19.00 ea |
| 7335 | 73-79 | Nose Support Rod | 10.50 ea |

See also BUMPER, EXTERIOR TRIM & FASTENER Sections.

HARDTOP



#2480

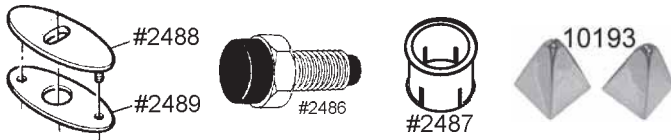


#2481

| | | | |
|-------|-------|---|-------------|
| 7338 | 68-69 | Hardtop Side Mounting (2 - #2480, 2 - #2481, and Gaskets | 16.00 set |
| 10426 | 70-75 | Hardtop Side Mounting (3 - #2480, 3 - #2481, and Gaskets | 24.00 set |
| 2480 | 68-75 | Hardtop Hold Down Side Bolt (68-69 req 2, 70-75 req 3) | 3.50 ea |
| 2481 | 68-75 | Hardtop Hold Down Side Anchor Nut w/Jam Nut (68-69 req 2, 70-75 req 3) | 6.00 ea |
| 2461 | 68-75 | Htp Rear Hold Down Bolt w/Nut & Washer . | 4.50 ea |
| 7340 | 68-75 | Hardtop Mounting Gaskets (6 pcs) | 4.00 set |
| 2485 | 68-75 | Wing Nut for Hardtop Rear Hold Down | 3.00 ea |
| 7341 | 68-71 | Hardtop Wrench (required for judging on cars equipped w/Hardtops - Exact Repro) | 24.50 ea |
| 6311 | ALL | Hardtop Hoist - 2 pulley system attaches to rafters of garage to get the hardtop removed from your car (includes nylon sling, nylon rope, hardware and instructions) | 39.95 ea ND |

Continued - Next Page

HARDTOP (continued)

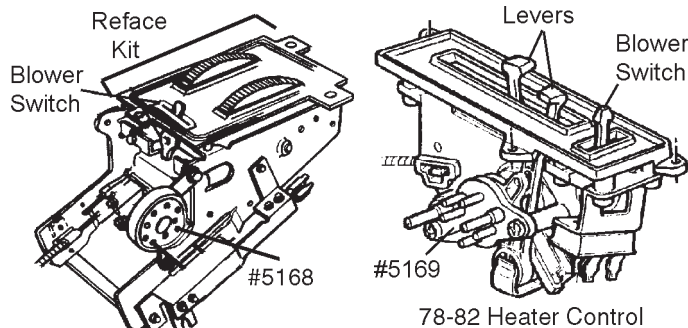


| | | | |
|-------|--------|---|------------|
| 10215 | 68L-75 | Hardtop Front Latch - Lt | 52.95 ea |
| 10216 | 68L-75 | Hardtop Front Latch - Rt | 52.95 ea |
| 10217 | 68L-75 | Hardtop Front Latch - Center | 52.95 ea |
| 2483 | 68 | Front Guide Pin Bushings | 4.00 pr |
| 2487 | 69-82 | Front Guide Pin Bushing | 2.50 ea |
| 2486 | 68-82 | HardTop Latch Bolt w/Rubber Tip - 1/2" Head (rubber runs full length of bolt) | 4.00 ea |
| 9900 | 68-82 | HardTop Latch Bolt w/Rubber Tip 3/8" Head (rubber runs full length of bolt) | 4.00 ea |
| 10193 | 68-75 | Hardtop End Caps - Stainless | 59.95 pr |
| 2445 | 69-75 | Htp Rear Bow Lock Housing | 25.00 ea |
| 2488 | 68-75 | Rear Deck Latch Chrome Bezel | 26.50 ea |
| 2489 | 68-75 | Rear Deck Latch Bezel Gasket | 3.00 pr |
| 9886 | 68-75 | Deck Lid Spring (2 req.) | 8.00 ea |
| 9902 | 68-75 | Deck Lid Striker Wear Plates on Body | 10.00 pr |
| 9617 | 68-75 | Hardtop Headliner (3 pc) - Specify Color | 399.00 set |
| 9084 | 68-75 | Deck Lid Protectors - static cling film no adhesive needed (Specify Hardtop or Softtop and Black or Clear) | 27.00 ea |

See also WEATHERSTRIP, FASTENERS and CONV. TOP

HEATER & AIR CONDITIONING

Heater & AC Switches and Relays - See Switch Section

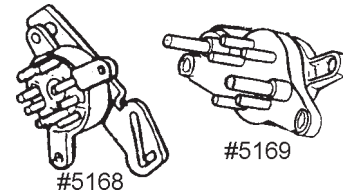


68-76 Heater Control

Heater/AC Control Reface Kits - includes bezel, face plate, lens, indicators, actuator pulleys, strings and thumb wheels. Assembled and ready to install.

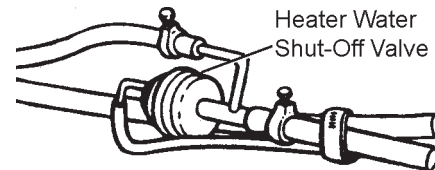
| | | | |
|-------|-------|-----------------------------|----------|
| 10478 | 68 | No Air - Reface Kit | 79.95 ea |
| 10479 | 68 | With Air - Reface Kit | 79.95 ea |
| 10480 | 69-71 | No Air - Reface Kit | 79.95 ea |
| 10481 | 69-71 | With Air - Reface Kit | 79.95 ea |
| 10482 | 72-75 | No Air - Reface Kit | 79.95 ea |
| 10483 | 72-75 | With Air - Reface Kit | 79.95 ea |
| 10484 | 76 | With Air - Reface Kit | 79.95 ea |

| | | | |
|------|-------|--|-----------|
| 5136 | 78-82 | Heater/AC Console Control Assembly with Cable - NEW | 149.00 ea |
|------|-------|--|-----------|



Heater & Vent

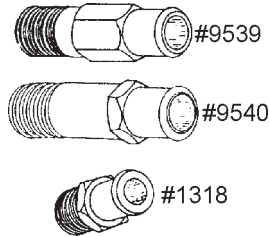
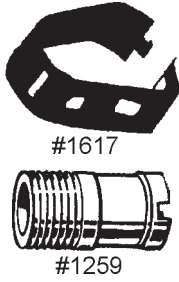
| | | | |
|-------|--------|---|-----------|
| 5168 | 69-76 | AC Climate Control Vacuum Switch - AC/Heater hoses connect to the 9 ports on this part (plastic) mounts on left side | 22.95 ea |
| 5225 | 68-76 | Climate Control Rotary Switch - metal 3 port - mounts on Rt side | 17.95 ea |
| 5169 | 77-82 | AC/Heater Vacuum Control Switch - molded plastic w/5 nipple like ports for connection of vacuum control hoses | 15.50 ea |
| 7214 | 68 | Climate Control Lens w/Air | 16.50 ea |
| 7217 | 68 | Climate Control Lens w/o Air | 16.50 ea |
| 7218 | 69-71 | Climate Control Lens w/Air | 16.50 ea |
| 7219 | 69-71 | Climate Control Lens w/o Air | 16.50 ea |
| 7220 | 72-75 | Climate Control Lens w/Air | 16.50 ea |
| 7221 | 72-75 | Climate Control Lens w/o Air | 16.50 ea |
| 10354 | 68 | Selector Control Cable w/o Air | 30.00 ea |
| 5146 | 68-76 | Temperature Control Cable w/o Air | 30.00 ea |
| 5148 | 77-82 | Temperature Control Cable w/Air | 30.00 ea |
| 5126 | 77-82 | Heater/AC Control Selector Lever | 11.50 ea |
| 5127 | 77-82 | Heater/AC Temperature Control Lever | 11.50 ea |
| 5128 | 78-82 | Heater/AC Control Lens | 10.00 ea |
| 10356 | 77-79 | Heater/AC Control Face Plate | 15.00 ea |
| 5129 | 80-82 | Heater/AC Control Face Plate | 15.00 ea |
| 9583 | 68-79 | Heater Box Seal Kit w/o Air | 26.00 kit |
| 9508 | 68-77 | Heater Box Seal Kit w/Air | 46.00 kit |
| 9511 | 78-82 | Heater Box Seal Kit w/Air | 41.00 kit |
| 1345 | 68-74 | Air Control Vent Door Cable Assembly | 18.00 ea |
| 2108 | 68-82 | Fresh Air Vent Door Seal Kit | 10.00 kit |
| 1361 | 68-79 | Heater Core, exc Air | 53.95 ea |
| 1362 | 68-77 | Heater Core, w/Air | 53.95 ea |
| 9568 | 78-82 | Heater Core, w/Air | 56.95 ea |
| 1356 | 68-79 | Heater Blower Motor, exc. Air | 39.00 ea |
| 1357 | 68-77E | Heater Blower Motor, w/Air (less fan) | 39.00 ea |
| 7739 | 77L-82 | Heater Blower Motor w/Air (less fan) | 34.00 ea |
| 7764 | 68-79 | Heater Blower Motor Resistor exc Air | 8.50 ea |



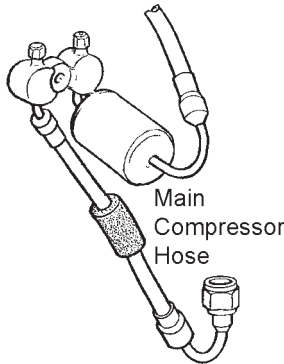
| | | | |
|------|-------|--|----------|
| 9534 | 68 | Heater Water Shut-Off Valve with Air CORRECT | 99.00 ea |
| 9535 | 69-81 | Heater Water Shut-Off Valve (only fits 69-70E w/AC and 79-81 ALL) | 32.00 ea |
| 9536 | 75-78 | Heater Water Shut-Off Valve | 22.50 ea |
| 9537 | 82 | Heater Water Shut-Off Valve | 64.00 ea |

Heater Hose Sets

| | | | |
|-------|-------|---|----------|
| 10286 | 68-79 | Heater Hose Set - No Air Ribbed No Logos | 21.00 pr |
| 1397 | 68-79 | Heater Hose Set - No Air (one 3/4" hose and one 5/8" hose) w/ Red & White GM Logos | 38.00 pr |
| 9562 | 68-82 | Heater Hose Set - w/Air (one 3/4" hose & one 5/8" hose) Correct Molded Ends ... | 47.00 pr |



| | | | |
|------|-------|---|----------|
| 1318 | 68-80 | Heater Hose Fitting on Intake Manifold 1/2" Thread use 5/8" Hose | 8.50 ea |
| 1259 | 68-69 | ByPass Fitting on Water Pump 68-69 427 | 8.00 ea |
| 9539 | 68-72 | Heater Hose Fitting on Water Pump - exc. Air | 11.00 ea |
| 9540 | 68-82 | Heater Hose Fitting on Water Pump - (68-72 327/350 w/Air & 73-82 All) | 10.00 ea |
| 3195 | 68-74 | 90 Degree Water Pump By-Pass Hose 427, 454 | 6.00 ea |
| 3841 | 68-69 | Water Pump or Intake Manifold By-Pass Pipe (Press-In Type) 427 - 2 req | 5.50 ea |
| 1617 | 68-80 | Heater Hose Retainer on Inner Fender (Holds 2 Hoses Together) | 4.00 ea |



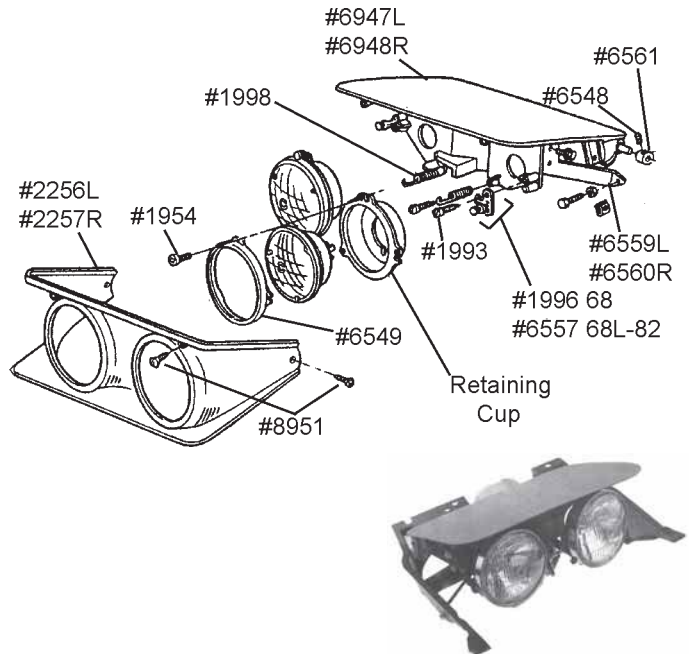
Air Conditioning

ALL 69-74 Big Block A/C Compressor Hoses are unavailable.

| | | | |
|-------|---------|---|-----------|
| 9570 | 69-72 | 350 A/C Main Compressor Hose. | 145.00 ea |
| 9571 | 73-76E | 350 A/C Main Compressor Hose (76 1st design w/axial compressor approx 10" long) | 129.00 ea |
| 9572 | 76L-77E | A/C Main Compressor Hose (76 2nd design w/radial compressor approx 4" long and 77 1st design VIR) | 129.00 ea |
| 9514 | 77L-78 | A/C Main Compressor Hose 77 2nd design w/CCOT and 78 L-48 | 132.00 ea |
| 9573 | 78-82 | A/C Main Compressor Hose <u>except</u> 78 L-48 | 109.00 ea |
| 9575 | 69-72 | A/C Evaporator | 229.00 ea |
| 9576 | 73-77E | A/C Evaporator with VIR system | 195.00 ea |
| 9577 | 77L-79 | A/C Evaporator with CCOT system | 339.00 ea |
| 9538 | 80-82 | A/C Evaporator | 249.00 ea |
| 9579 | 69-72 | A/C Condenser | 189.00 ea |
| 9580 | 73-82 | A/C Condenser | 205.00 ea |
| 9581 | 68-72 | A/C Receiver Dryer | 45.50 ea |
| 9548 | 77L-82 | Drier - Accumulator | 69.00 ea |
| 7706 | 73-77E | AC Remanufactured VIR Assembly | 149.00 ea |
| 10656 | 73 | 77 Early uses VIR, 77 Late uses Accumulator 350 A/C Main Compressor Hose | 139.95 ea |

See also COOLING SYSTEM Section.

HEADLIGHT



| | | | |
|--------|--------|------------------------------------|--------------|
| 10128_ | 68L-72 | *Complete Headlight Assembly | 479.00 ea ND |
| 10129_ | 73-74 | *Complete Headlight Assembly | 479.00 ea ND |
| 10130_ | 75-82 | *Complete Headlight Assembly | 479.00 ea ND |

***Specify Left or Right**

| | | | |
|-------|--------|--|-----------|
| 2256 | 68L-82 | H.L. Bezel (Fiberglass) - Lt ..(GM) | 62.00 ea |
| 2257 | 68L-82 | H.L. Bezel (Fiberglass) - Rt..(GM) | 62.00 ea |
| 10428 | 68L-82 | H.L. Bezel (black molded plastic) - Lt | 49.00 ea |
| 10429 | 68L-82 | H.L. Bezel (black molded plastic) - Rt | 49.00 ea |
| 8951 | 68-82 | Headlight Bezel Screws (8) | 3.75 set |
| 6947 | 68L-82 | Headlight Door (68 Repl.) - Lt. | 255.00 ea |
| 6948 | 68L-82 | Headlight Door (68 Repl.) - Rt. | 255.00 ea |

| | | | |
|-------|--------|---|------------|
| 10072 | 68-71 | T-3 Headlight Bulbs (4 pcs) | 119.00 set |
| 6549 | 68-82 | Headlight Bulb S.S. Retaining Ring | 11.00 ea |
| 1954 | 68-82 | H.L. Bulb Retaining Ring Screws (12) | 8.00 set |
| 6550 | 68-82 | H.L. Bulb Retaining Cup - Inner Lt | 15.00 ea |
| 6551 | 68-82 | H.L. Bulb Retaining Cup - Inner Rt | 15.00 ea |
| 6552 | 68-82 | H.L. Bulb Retaining Cup - Outer Lt | 15.00 ea |
| 6553 | 68-82 | H.L. Bulb Retaining Cup - Outer Rt | 15.00 ea |
| 1998 | 68-82 | H.L. Capsule Tension Spring (4 req) | 2.00 ea |
| 1996 | 68E | H.L. Adjuster w/Screw - 1st Design | 2.00 ea |
| 6557 | 68L-82 | H.L. Adjuster w/Screw - 2nd design | 3.00 ea |
| 1911 | 68L-82 | H.L. Adjuster w/Screw - 2nd design (8 Adjusters, 8 Screws) | 14.50 set |
| 1993 | 68-82 | H.L. Adjuster and Insulator to Door Screws (20 pcs) | 6.00 set |
| 6559 | 70-82 | H.L. Door Stop - Lt. | 25.00 ea |
| 6560 | 70-82 | H.L. Door Stop - Rt. | 25.00 ea |
| 10074 | 70-82 | H.L. Door Stop Screws, and Nuts (4 pcs) .. | 6.00 set |
| 6561 | 68-82 | H.L. Housing Bearing Control Stop | 4.00 ea |
| 6548 | 68-82 | H.L. Housing Bearing Control Stop Screws (4) | 2.00 set |

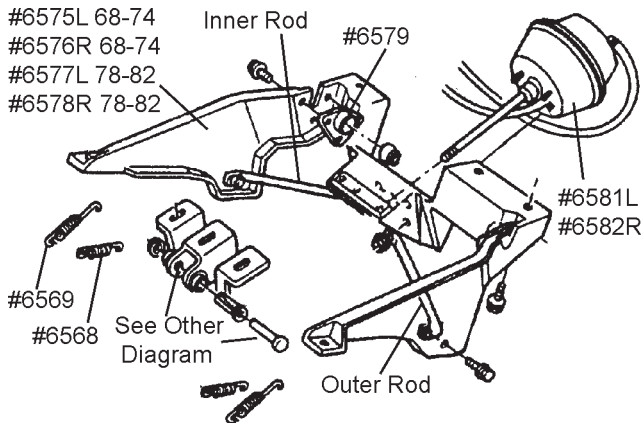


Headlight Shields

| | | | |
|------|--------|--|----------|
| 7345 | 68-69E | Plastic Headlight Shields - Behind Grill | 34.95 pr |
| 7346 | 69L-72 | Plastic Headlight Shields - Behind Grill | 34.95 pr |

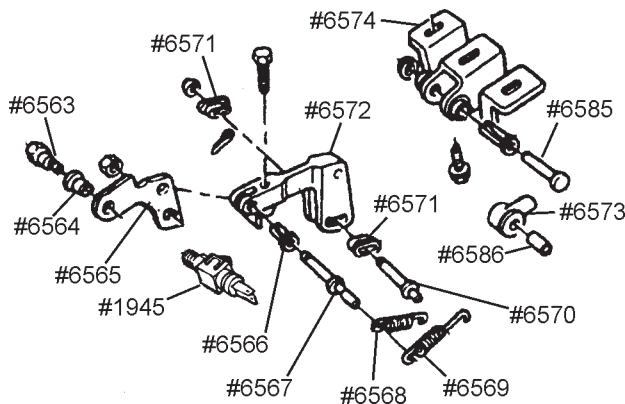
Headlight Continued on Next Page

Headlight Parts (continued)

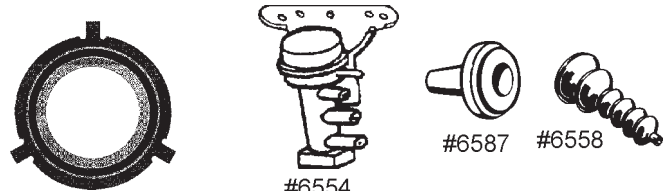


| | | | |
|-------|-------|---|-----------|
| 6575 | 68-74 | H.L. Housing Support - Lt | 189.00 ea |
| 6576 | 68-74 | H.L. Housing Support - Rt | 189.00 ea |
| 6577 | 75-82 | H.L. Housing Support - Lt | 149.00 ea |
| 6578 | 75-82 | H.L. Housing Support - Rt | 149.00 ea |
| 6579 | 68-82 | H.L. Housing Opening Bearing w/retainer | 6.50 ea |
| 6581 | 68-82 | H.L. Door Control Actuator - Lt (GM) | 135.00 ea |
| 6582 | 68-82 | H.L. Door Control Actuator - Rt (GM) | 135.00 ea |
| 10070 | 68-82 | H.L. Door Control Actuator - Lt (Repro) | 92.00 ea |
| 10071 | 68-82 | H.L. Door Control Actuator - Rt (Repro) | 92.00 ea |
| 6583 | 68-82 | Outboard Actuator Support Rod - Lt | 10.00 ea |
| 6584 | 68-82 | Outboard Actuator Support Rod - Rt | 10.00 ea |
| 6580 | 68-82 | Inboard Actuator Support Rod - Lt | 10.00 ea |
| 6589 | 68-82 | Inboard Actuator Support Rod - Rt | 10.00 ea |
| 6568 | 68-82 | H.L. Actuator Link Spring - Stainless | 4.00 ea |
| 6569 | 68-82 | H.L. Housing Spring - Stainless | 4.00 ea |

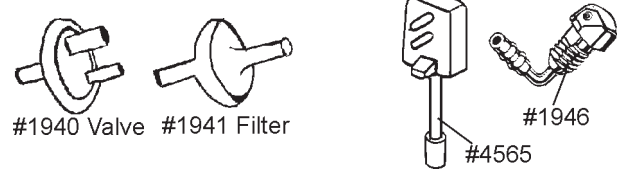
10357 68-82 Headlight Rebuild Kit (car set) 99.95 kit LD
 Includes: 4 Headlight Bearings, 8 Housing Mechanism S.S. Springs
 8 H.L. Bulb Adjusters w/Screws, 4 H.L. Bulb Springs, 12 Plastic Sleeves



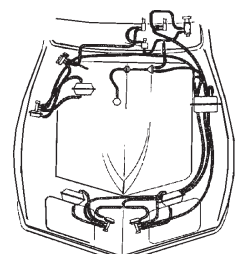
| | | | |
|------|-------|---|----------|
| 6563 | 68-82 | H.L. Housing Actuator Link Screw | 4.00 ea |
| 6564 | 68-82 | H.L. Housing Actuator Link Bushing | 2.00 ea |
| 6565 | 68-82 | H.L. Housing Front Link | 13.00 ea |
| 1945 | 69-77 | H.L. Door Opening Warning Switch | 23.00 ea |
| 6566 | 68-82 | H.L. Link Bushing (cut to length) | 2.00 ea |
| 6567 | 68-82 | H.L. Housing Front Lever Pin | 6.00 ea |
| 6568 | 68-82 | H.L. Actuator Link Spring - Stainless | 4.00 ea |
| 6569 | 68-82 | H.L. Housing Spring - Stainless | 4.00 ea |
| 6570 | 68-82 | H.L. Housing Rear Link Pin | 4.00 ea |
| 6571 | 68-82 | H.L. Housing Actuator Lever Rear Link Inserts | 4.95 pr |
| 6572 | 68-82 | H.L. Housing Rear Link | 29.00 ea |
| 6573 | 68-82 | Actuator Link Clevis | 13.00 ea |
| 6574 | 68-82 | H.L. Housing Actuator Bracket | 17.00 ea |
| 6585 | 68-82 | Clevis Pivot Pin | 3.00 ea |
| 6586 | 68-82 | H.L. Actuator Rear Link Sleeve | 1.50 ea |



| | | | |
|------|-------|--|----------|
| 6587 | 68-82 | H.L. Actuator Rod Rubber Seal | 8.95 ea |
| 6590 | 68-82 | H.L. Actuator Seal Retaining Ring | 9.00 ea |
| 6558 | 68-82 | H.L. Actuator Dust Boot (accordian type) | 9.00 ea |
| 6554 | 68-82 | Headlight or Wiper Door Actuator Vacuum Relay on Inner Fender (use 1 on 68-69 and 2 on 70-82 Headlights, also use 1 on 68-72 Wiper Door) | 54.95 ea |



| | | | |
|-------|-------|---|-----------|
| 1941 | 68-82 | H.L. Vacuum Check Valve FILTER | 5.25 ea |
| 1940 | 68-82 | H.L. Vacuum Reservoir Check VALVE - if leaking it may cause your headlights doors to pop open | 14.95 ea |
| 4565 | 68-82 | H.L. Vacuum Door Opening Switch Under Dash | 13.95 ea |
| 1946 | 69-71 | H.L. Washer Nozzles (4 req.) | 10.00 ea |
| 10427 | 69-71 | H.L. Washer Nozzle Set (4 pcs) | 36.95 set |
| 6555 | 69 | H.L. Washer Hose Set (4 port pump) | 22.50 kit |
| 6556 | 70-71 | H.L. Washer Hose Set (5 port pump) | 24.50 kit |
| 6588 | 68-82 | Header Bar for Hood Surround & Headlight Reinfrmnt (behind headlight openings) | 79.00 ea |
| 5999 | 68-82 | Aluminum Body Assy. Rivets - Large Flat Head 5/8" long (25 pcs) | 4.00 set |
| 6033 | 68-82 | Aluminum Body Assy Rivets - Large Flat Head 7/16" long (25 pcs) | 4.00 set |
| 1918 | 68-74 | Black 5" Tie Strap | 1.50 ea |
| 1906 | 68-82 | Black 7" Tie Strap | 1.50 ea |



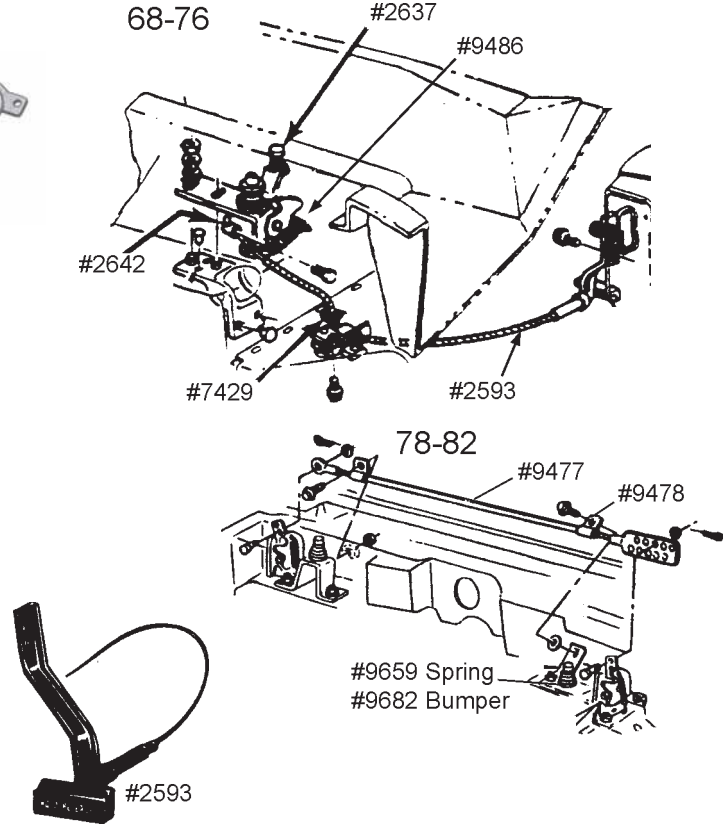
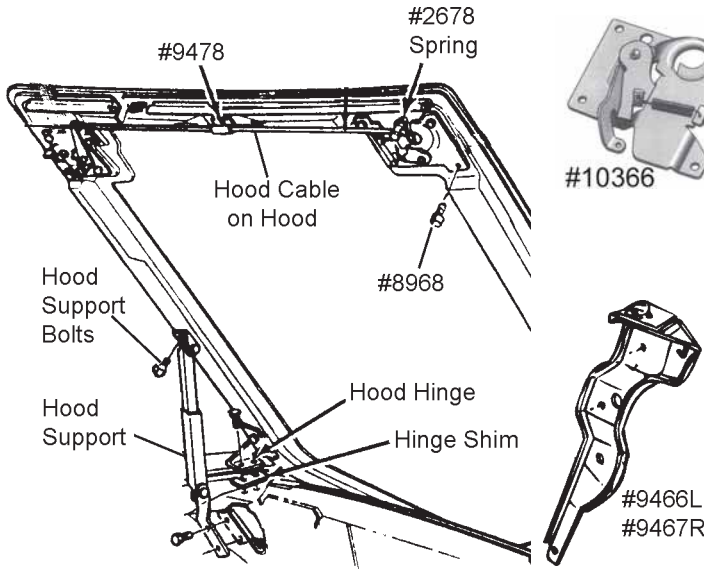
Headlight & Wiper Door Vacuum Hose Kits

Correct color striped hoses w/raised ribs, includes "T" connectors, harness tape and routing diagram.

| | | | |
|-------|-------|---|------------|
| 6592 | 68 | Deluxe Vacuum Hose and "T" Kit | 59.95 kit |
| 6593 | 69 | Deluxe Vacuum Hose and "T" Kit | 69.95 kit |
| 6595 | 70 | Deluxe Vacuum Hose and "T" Kit | 79.95 kit |
| 6597 | 71-72 | Deluxe Vacuum Hose and "T" Kit | 79.95 kit |
| 6598 | 73-79 | Deluxe Vacuum Hose and "T" Kit | 49.95 kit |
| 6599 | 80-82 | Deluxe Vacuum Hose and "T" Kit | 49.95 kit |
| 7444 | 68-82 | 3 Hole Vacuum Hose Firewall Grommet | 6.00 ea |
| 10358 | 68-82 | Vacuum Hose Clip - holds headlight hoses | 5.50 ea |
| 3887 | 68-82 | HL & Wiper Vacuum System Troubleshooting Manual (step-by-step diagnosis of your headlight & wiper door system) | 9.95 ea ND |

See also SWITCHES and WIRING Sections.
 See ENGINE Section for Tie Straps.

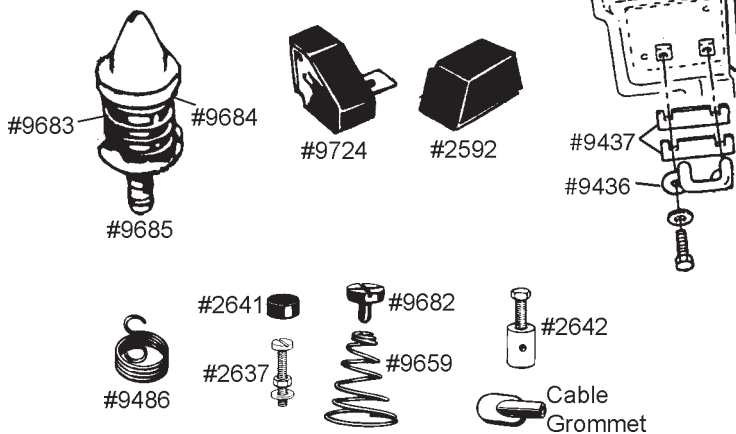
HOOD



| | | | |
|-------------|--------------|--|----------------|
| 2589 | 68-82 | Hood Hinge - Lt | 22.00 ea |
| 2590 | 68-82 | Hood Hinge - Rt | 22.00 ea |
| 8964 | 68-82 | Hood Hinge Bolts (8) | 6.00 set |
| 9466 | 69-82 | Hood Hinge/Radiator Support Reinfrmnt-Lt (can be used as 68 Repl.)..... USED | 35.00 ea ND |
| 9467 | 69-82 | Hood Hinge/Rad Support Reinforcement - Rt . USED | 35.00 ea ND |
| 2591 | 68-82 | Hood Hinge Shim (1/16") 3 pcs | 5.00 set |
| 5999 | 68-82 | Aluminum Body Assy Rivet - Large Flat Head 5/8" long (25 pcs) | 4.00 set |
| 6033 | 68-82 | Aluminum Body Assy Rivet - Large Flat Head 7/16" Long (25 pcs) | 4.00 set |
| 9409 | 68 | Hood Support - Correct | 67.50 ea |
| 9468 | 69-71 | Hood Support - Correct w/Atwood Logo | 47.00 ea |
| 10363 | 72-73E | Hoos Support (has 2 holes where it bolts to inner skirt) | 65.00 ea |
| 2606 | 73L-76 | Hood Support (has oval shaped hole where it bolts to inner skirt) | 65.00 ea |
| 10364 | 77E | Hood Supprt | 75.00 ea |
| 9475 | 77L-82 | Hood Support | 75.00 ea |
| 8966 | 68-71 | Hood Support to Hood Bolts (2) | 2.00 pr |
| 8967 | 72-76 | Hood Support to Hood Bolts (2) | 2.00 pr |
| 9455 | 77-82 | Hood Support Bolt Kit (5 pcs) | 2.25 kit |
| 9557 | 69-82 | Hood Support Reinforcement Plate - S.S. ... | 3.50 ea |
| 8563 | 68-71 | Hood Support Pin (prevents hood from closing in the wind) | 6.00 ea |
| 2592 | 74-79 | Hood Edge Alignment Rubber Cushion (6 req.) | 3.95 ea |
| 9724 | 80-82 | Hood Alignment Bumper Cushions (4 pcs) | 17.95 set |



| | | | |
|-------|--------|--|----------|
| 10365 | 70-76 | Female Hood Latch Plate - Lt | 32.00 ea |
| 10366 | 70-76 | Female Hood Latch Plate w/spring - Rt | 32.00 ea |
| 2678 | 68-76 | Female Hood Lock (on Hood) Tension Spring | 4.00 ea |
| 8968 | 68-76 | Female Hood Lock to Hood Bolts (8) | 3.00 set |
| 9486 | 68-76 | Male Hood Lock Release Return Spring (Lt Side Only) | 5.00 ea |
| 2560 | 68-69E | Male Hood Lock Assembly 3/4" head dia .. | 28.00 ea |
| 10371 | 69L-76 | Male Hood Lock Assy | 30.00 ea |
| 9683 | 69L-76 | Male Hood Lock Pin Spring | 5.50 ea |
| 9684 | 69L-76 | Male Hood Lock Pin Spring Retainer | 4.75 ea |
| 2637 | 68-76 | Hood Bumper Adjusting Bolt, Washer & Nut | 3.00 pr |
| 2641 | 68-76 | Hood Rubber Bumper for above bolt #2637 | 4.00 pr |
| 9647 | 73-76 | Hood Rear Anti-Rattle Bumper | 2.50 ea |
| 9436 | 77-82 | Hood Latch Striker - on Hood | 12.50 ea |
| 9437 | 77-82 | Hood Latch Striker Shim (2 pcs) | 4.50 pr |
| 9659 | 77-82 | Hood Latch Pop-up Spring | 4.50 ea |
| 9682 | 77-82 | Hood Latch Pop-up Spring Bumper | 3.75 ea |



| | | | |
|-------|---------|--|----------|
| 2593 | 68-76 | Hood Release Cable w/Handle & Bracket . | 34.95 ea |
| 10367 | 77-79 | Hood Release Cable w/Handle & Bracket .. | 34.95 ea |
| 10368 | 80-82 | Hood Release Cable w/Handle & Bracket . | 34.95 ea |
| 10369 | 68-79 | Hood Release Handle and Wire Only | 20.95 ea |
| 10370 | 80-82 | Hood Release Handle and Wire Only | 20.95 ea |
| 7429 | 68-76 | Hood Release Cable Firewall Grommet | 7.00 ea |
| 7442 | 77-82 | Hood Release Cable Firewall Grommet | 7.00 ea |
| 2642 | 68-82 | Hood Rel. Cable Brass Stop w/Screw | 2.50 ea |
| 2421 | 68E | Hood Rel. Cable Latch to Latch on Hood .. | 41.00 ea |
| 2594 | 68L-69E | Hood Release Cable on Hood 34 1/4"Lg | 36.00 ea |
| 2595 | 69L-76 | Hood Rel. Cable on Hood 33" Lg | 30.00 ea |
| 9489 | 77 | Hood Rel. Cable - latch to latch 37 7/16" .. | 37.00 ea |
| 9477 | 78-82 | Hood Rel. Cable - latch to latch 42 1/2" ... | 29.00 ea |
| 9478 | 68-82 | Hood Release Cable Clamps on Hood | 6.00 pr |
| 9542 | 68L-82 | Hood Latch Cable Clevis Pin Kit (6 pcs) | 6.00 kit |

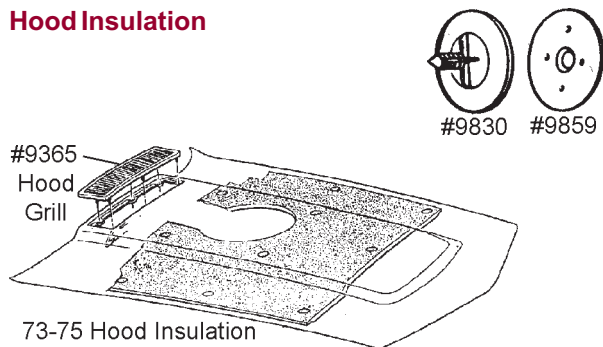
Continued on Next Page

HOOD (continued)

Underhood Light Assembly

| | | | |
|-------|--------|--|----------|
| 10122 | 77E | Light Assembly w/Bulb (with alarm switch located in fender)..... | 37.00 ea |
| 10123 | 77L-79 | Light Assembly w/Bulb (77Late with alarm switch located in door) | 37.00 ea |
| 10124 | 80-82 | Light Assembly w/Bulb | 37.00 ea |

Hood Insulation



| | | | |
|------|-------|--|-----------|
| 9469 | 69 | Hood Insulation w/Pins & Retainers (Black Color) - Replacement | 35.00 set |
| 9558 | 73-75 | Hood Insulation Mat (Repl) not molded as original (approx 35" x 35") | 35.00 ea |
| 9559 | 76-79 | Hood Insulation Mat (Repl) not molded as original (approx 36" w x 39" l) | 35.00 ea |

73-79 Hood Insulation is full length correct material, size and shape and cutouts as the original but are not molded as original.

| | | | |
|------|-------|---|---------|
| 9830 | 69-79 | Hood Insulation Pins - plastic replacement (glues to hood) | 1.30 ea |
| 9859 | 69-79 | Hood Insulation Retainer (69 uses 3, 73-75 uses 11, 76-77 uses 8, 78-79 uses 6) | 1.95 ea |



Hood Emblems & Moldings

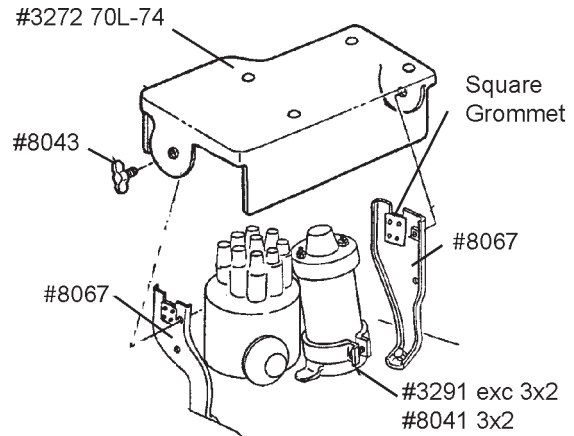
| | | | |
|-------|-------|--|-----------|
| 1838 | 68-72 | Hood Insert Mldg LT-1, 427, 454 - Lt | 59.00 ea |
| 1839 | 68-72 | Hood Insert Mldg LT-1, 427, 454 - Rt | 59.00 ea |
| 10393 | 68-72 | Hood Insert Moldings LT-1, 427, 454 PAIR | 105.00 pr |
| 9109 | 68-69 | 427 Hood Number Set (6 pcs) imported ... | 34.95 set |
| 9104 | 70-72 | 454 Hood Number Set (6 pcs) imported ... | 34.95 set |
| 10210 | 68-69 | 427 Hood Number Set (3 pcs) Show Quality (2 sets required) | 43.50 set |
| 10211 | 70-72 | 454 Hood Number Set (3 pcs) Show Quality (2 sets required) | 43.50 set |
| 1832 | 68-72 | Hood Number "4" | 8.00 ea |
| 1830 | 68-72 | Hood Number "2" | 8.00 ea |
| 1831 | 68-72 | Hood Number "7" | 8.00 ea |
| 1833 | 68-72 | Hood Number "5" | 8.00 ea |
| 9365 | 73-76 | Hood Grill - Rear of Hood | 84.95 ea |



See also EMBLEM, FASTENER and FIBERGLASS Sections.

IGNITION SHIELDING

Big Block 427/454



| | | | |
|------|--------|--|------------|
| 8060 | 68-70E | 427/454 Top Ignition Shield Set 1 x 4 | 144.95 set |
| 8061 | 68-69 | 427 Top Ignition Shield Set 3 x 2 | 144.95 set |
| 8062 | 70L-74 | 454 Top Ignition Shield Set | 74.00 set |

Ignition Shield Sets include all parts needed except items listed in BOLD print with an (*).

| | | | |
|-------------|--------------|--|-----------------|
| 3271 | 68-70E | Distributor Top Cover Lid & Box (1 x 4) | 89.00 ea |
| 3273 | 68-69 | Distributor Top Cover Lid & Box (3 x 2) | 89.00 ea |
| 3270 | 68-70E | Distributor Top Cover Lid - Only | 34.00 ea |
| 3272 | 70L-74 | Distributor Top Cover - show chrome | 45.00 ea |
| 8067 | 68-74 | Big Block Top Shield Brackets-PAIR | 32.00 pr |
| 3294 | 68-74 | Square 4 hole Grommet, correct 8mm | 5.50 ea |
| 8043 | 68-79 | Wing Bolt for Ignition Shielding | 1.00 ea |
| 3291 | 68-74 | *Coil Bracket (All except 3 x 2) | 17.00 ea |
| 8041 | 68-69 | *Coil Bracket w/3 x 2 | 21.00 ea |
| 3198 | 68-70E | Grommet - Coil Wire Lead | 1.50 ea |
| 3297 | 68-74 | *Plastic Wire Support - 4 Wire, No Stand (1 req.) | 2.50 ea |
| 3298 | 68-74 | *Plastic Wire Support - 2 Wire w/Stand (2 req.) | 2.50 ea |
| 3299 | 68-74 | *Plastic Wire Support - 4 Wire w/Stand (2 req.) | 2.50 ea |
| 3269 | 73-74 | *454 Spark Plug Barrel Shield (8 req.) ... | 3.50 ea |

See ENGINE Section for Spark Plug Wires

COILS - see Page 155



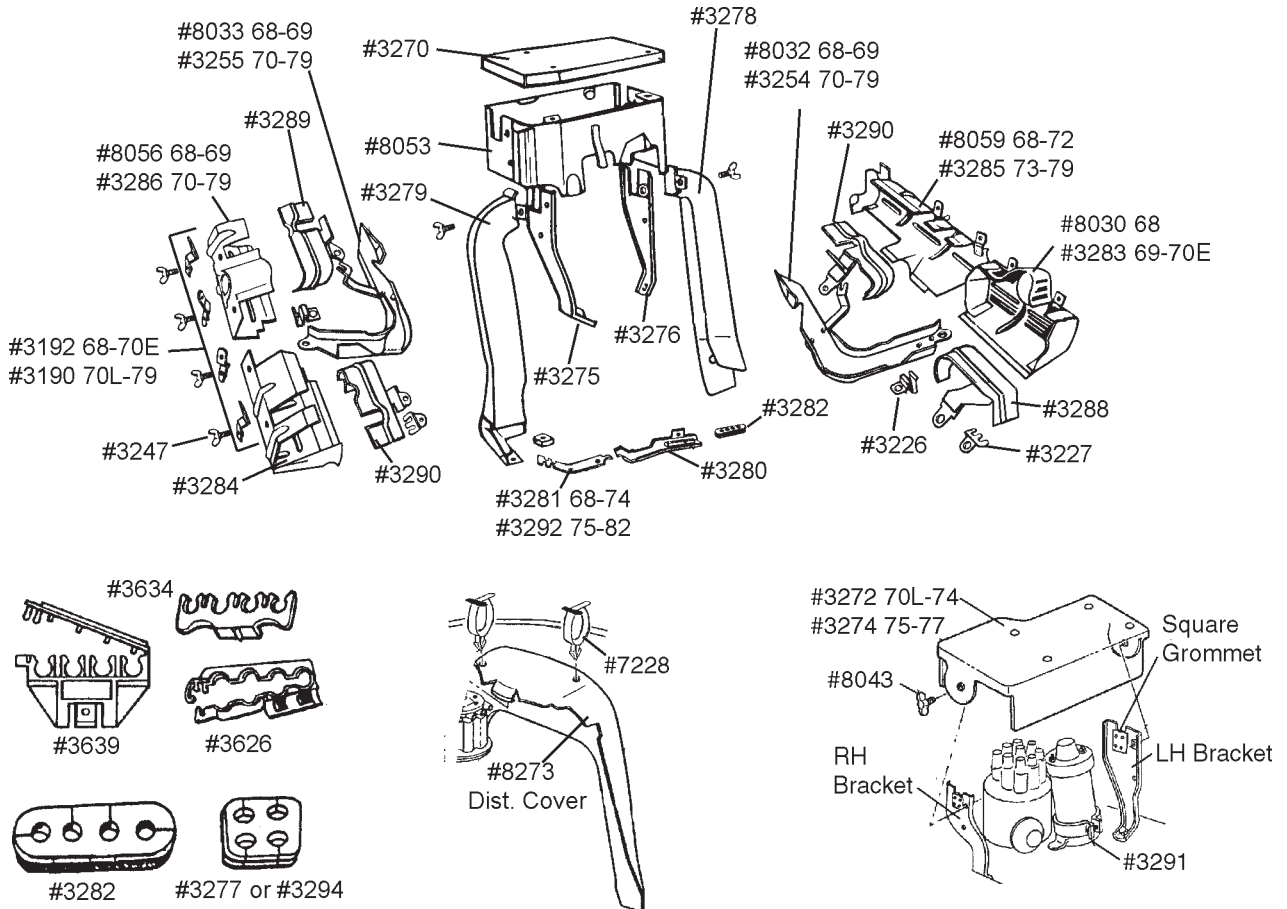
Small Block 327/350

| | | | |
|-------|--------|----------------------------------|---------------|
| 8050 | 68 | 327 Ignition Shielding Set | 399.00 set LD |
| 8058 | 69 | 350 Ignition Shielding Set | 399.00 set LD |
| 8051 | 70E | 350 Ignition Shielding Set | 399.00 set LD |
| 8052 | 70L-72 | 350 Ignition Shielding Set | 249.00 set LD |
| 10098 | 73-74 | 350 Ignition Shielding Set | 249.00 set LD |
| 8057 | 75-77 | Ignition Shielding Set | 249.00 set LD |

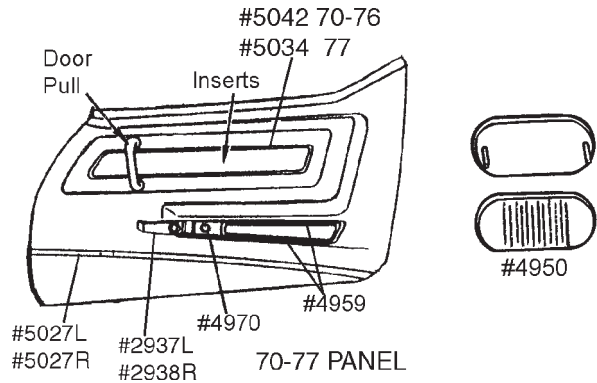
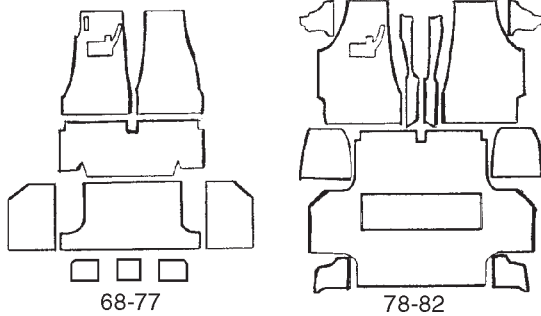
Shielding Sets include all parts needed except items listed in BOLD print with an (*).

| | | | |
|------|--------|---|----------|
| 3271 | 68-70E | Distributor Top Cover Lid & Box | 89.00 ea |
| 3270 | 68-70E | Distributor Top Shield Lid - Only | 34.00 ea |
| 3272 | 70L-74 | Distributor Top Cover- Show Chrome | 45.00 ea |
| 3274 | 75-77 | Distributor Top Cover - Chrome | 49.00 ea |
| 8273 | 77-82 | Ignition Shield Top Cover (black plastic) | .DISC |
| 7228 | 78-82 | Top Shield to Hood Cable Tie Strap - Repl ... | 1.50 ea |
| 3275 | 68-74 | Top Ignition Shield Bracket - L.H. | 13.50 ea |
| 3276 | 68-74 | Top Ignition Shield Bracket - R.H. | 13.50 ea |
| 8054 | 75-77 | Top Ignition Shield Bracket - L.H. | 12.50 ea |
| 8055 | 75-77 | Top Ignition Shield Bracket - R.H. | 12.50 ea |
| 3278 | 68-77 | Vertical Shield Rear - Lt | 47.00 ea |
| 3279 | 68-77 | Vertical Shield Rear - Rt | 47.00 ea |
| 3232 | 68-77 | Clip - Ignition Shield - Right Vertical | 1.50 ea |
| 3277 | 68-74 | Grommet Square 4 Hole - 2 req. | 2.00 ea |
| 3294 | 75-79 | Grommet Upper Square 4 Hole - 2 req. | 5.50 ea |
| 8030 | 68 | Lower Spark Plug Shield - Front Lt | 32.00 ea |
| 3283 | 69-70E | Lower Spark Plug Shield - Front Lt | 42.50 ea |

| | | | |
|--------------|--------------|--|-----------------|
| 8059 | 68-72 | Lower Spark Plug Shield - Rear Lt | 32.50 ea |
| 3285 | 73-79 | Lower Spark Plug Shield - Rear Lt | 39.00 ea |
| 3284 | 68-70E | Lower Spark Plug Shield - Front Rt | 35.00 ea |
| 8056 | 68-69 | Lower Spark Plug Shield - Rear Rt | 30.00 ea |
| 3286 | 70-79 | Lower Spark Plug Shield - Rear Rt | 42.00 ea |
| 3280 | 68-82 | Lower Rear Bracket Support - L.H. | 6.50 ea |
| 3281 | 68-74 | Lower Rear Wire Clip - R.H. | 12.00 ea |
| 3292 | 75-82 | Lower Rear Wire Clip - R.H. | 9.00 ea |
| 3282 | 68-82 | Grommet Lower Rear Support, oval | 2.00 ea |
| 3192 | 68-70E | "L" Plug Shield Bracket Set (8) Correct | 25.00 set |
| 3190 | 70L-79 | "L" Plug Shield Bracket Set (4) Correct | 12.50 set |
| 3288* | 68-69 | Plug Shield Inner - Lt Front | 19.50 ea |
| 3289* | 68-69 | Plug Shield Inner - Rt Rear | 13.00 ea |
| 3288* | 70-79 | Plug Shield Inner - Lt Front & Rt Rear | 19.50 ea |
| 3290* | 68-82 | Plug Shield Inner - Rt Front & Lt Rear | 14.00 ea |
| 8032* | 68-69 | "V" Shield on Block - Lt CHROME | 53.00 ea |
| 8033* | 68-69 | "V" Shield on Block - Rt CHROME | 53.00 ea |
| 3254* | 70-79 | "V" Shield on Block - Lt ZINC | .DISC |
| 3255* | 70-79 | "V" Shield on Block - Rt ZINC | .DISC |
| 3226* | 68-82 | Wire Clip on Oil Pan Bolt | 3.50 ea |
| 3227* | 68-82 | Wire Clip on Block Front | 2.00 ea |
| 3291* | 68-74 | Coil Bracket (exc. 3 x 2) | 17.00 ea |
| 3247 | 68-79 | Wing Bolt Set - Chrome (15) | 12.00 set |
| 8043 | 68-79 | Wing Bolt for Ignition Shielding | 1.00 ea |
| 3198* | 68-70 | Grommet - Coil Wire Lead | 1.50 ea |
| 3626* | 74-82 | Spark Plug Wire Separator 4 wire lock type | 1.50 ea |
| 3634* | 76-82 | Spark Plug Wire Retainer 4 wire slip-on open type | 5.00 ea |
| 3639* | 77-79 | Spark Plug Wire Retainer 4 wire slip-on lock type | 1.75 ea |



INTERIORS



Interior PACKAGES - See Pages 5

Interior COLOR PHOTOS & Packages - Pages 5 - 6

Carpet Sets - Full Car

Specify Year, Coupe or Conv, 4sp or Auto and Color (if you have a 1979 also specify 3 door or 2 door rear compartment)

| | | | |
|---|-------|---|---------------|
| 5075__ | 68-76 | Coupe 80/20 Loop Carpet Set w/Pad | 239.00 set ND |
| 5044__ | 68-75 | Conv 80/20 Loop Carpet Set w/Pad | 239.00 set ND |
| 5085__ | 70-77 | Cut-Pile Carpet Set w/Pad | 239.00 set ND |
| 5097__ | 78-82 | Cut-Pile Carpet Set w/Pad includes kick panel, console, speaker cover and rear compartment - specify 2 door or 3 door compartment) | 309.00 set ND |
| 5099 | 82 | Collector's Edition Carpet Set w/Pad | 319.00 set ND |
| Note: 68-76 w/Vinyl Seats use 80/20 Loop Carpet 70-76 w/Leather Seats use Cut-Pile Carpet 77-82 All Use Cut-Pile Carpet | | | |
| 5061* | 68-72 | Carpet Underlayment - Correct material, jute backing & rubber overlay attached Cut correctly with serrations (12 pcs) ... | 279.00 set LD |
| 5062* | 75-79 | Carpet Underlayment - Correct material and foil reinforcement pattern. | 134.00 set |
| 10430 | 68-69 | Sound Deadener | 119.95 set |
| 10139 | 70-77 | Sound Deadener | 119.95 set |
| 10140 | 78-82 | Sound Deadener | 139.95 set |
| 5094 | 68-82 | Rubber Carpet Fasteners (9 req.) | 1.75 ea |
| 5049 | 68-69 | Dimmer Switch Grommet - correct Rubber ... | 8.50 ea |
| 3697 | All | Spray Trim Adhesive - 3M | 14.95 ea |
| 3604 | All | Trim & Carpet Glue - Brush-On (Quart) | 14.95 Qt ND |

Floor Mats - Specify Year & Color

| | | | |
|--------|-------|---|-------------|
| 5615 | 68-82 | Black Rubber Mats | 34.95 pr |
| 5617 | 68-82 | Clear Rubber Mats | 50.00 pr ND |
| 5653__ | 68-76 | 80/20 Loop Carpet Mats w/Corvette Logo (rubber grippers on back) | 49.95 pr |
| 5654__ | 70-82 | Cut-Pile Carpet Mats w/Corvette Logo (rubber grippers on back) | 49.95 pr |

Heat Barrier Kits

These kits effectively reduce interior compartment temperature up to 50% without sacrificing carpet fit. Made from technologically advanced ceramic cloth, which is precut and fitted with reinforced foil backing, measuring only 1/8" total thickness.

| | | | |
|------|-------|--|------------|
| 4968 | 68-77 | Heat Barrier Kit - 6 pc Front | 99.95 set |
| 4969 | 78-82 | Heat Barrier Kit - 6 pc Front | 99.95 set |
| 4946 | 68-77 | Heat Barrier Kit - 7 pc Front & Rear | 139.95 set |
| 4960 | 78-82 | Heat Barrier Kit - 7 pc Front & Rear | 139.95 set |

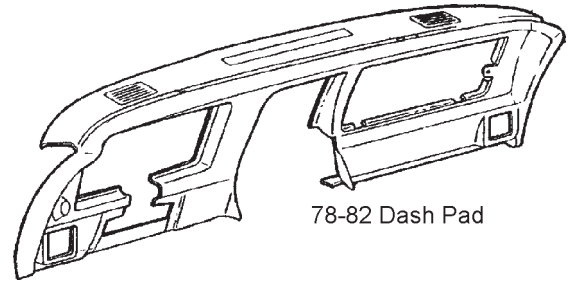
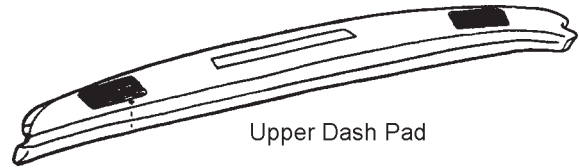
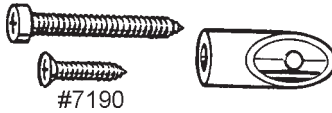
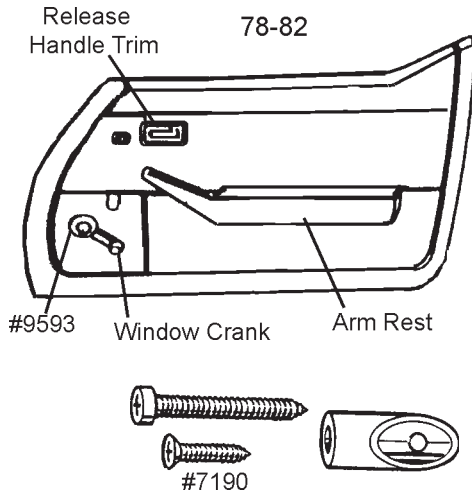
Door Panels & Arm Rests

All 69-77 Door Panels Have ABS Backing and Window Felts Installed

| | | | |
|---|-------|---|-----------|
| 4923__ | 68 | Basic Door Panel w/Door Handle Insert - Less Trim (Specify Lt or Rt) | 209.00 ea |
| 4924__ | 68 | Deluxe Door Panel - Complete w/Trim (Specify Lt or Rt) | 299.00 ea |
| 4929__ | 69 | Basic Door Panel w/Upper Felts and Comfortweave Inserts- Less Trim (Specify Lt or Rt) | 229.00 ea |
| 4930__ | 69 | Deluxe Door Panel - Complete w/Trim (Specify Lt or Rt) | 299.00 ea |
| 4964__ | 70-77 | Basic Door Panel with Upper Felts - Less Trim (Specify Lt or Rt) | 209.00 ea |
| For Deluxe or Std Interiors you can transfer your trim to a Basic Panel | | | |
| 4965__ | 70-77 | Standard Door Panel - Complete w/Trim (Specify Lt or Rt) | 289.00 ea |
| 4966__ | 70-76 | Deluxe Door Panel - Complete w/Trim and Carpet (Specify Lt or Rt) | 389.00 ea |
| 5041__ | 77 | Deluxe Door Panel - Complete w/Trim and Carpet (Specify Lt or Rt) | 389.00 ea |
| 4961__ | 78-82 | Door Panel with Felts (exc. Collector's) (Lt or Rt) | 239.00 ea |
| *Due to color variations call for samples of Dk Blue, Oyster and Doeskin | | | |
| 4962 | 82 | Collector's Edition Door Panels | 359.00 ea |

Door Panel Trim

| | | | |
|--------|-------|---|----------|
| 10049 | 70-76 | Deluxe Door Panel Woodgrain Inserts Walnut | 19.95 pr |
| 5359 | 70-76 | Deluxe Door Panel Woodgrain Inserts Teak | 19.95 pr |
| 5554 | 77 | Deluxe Door Panel Black Inserts | 20.95 pr |
| 4952__ | 70-77 | Deluxe Door Panel Carpet/Vinyl Trim | 27.00 pr |
| 5042__ | 70-76 | Deluxe Door Panel Upper Insert Plate (includes woodgrain) Specify Lt or Rt | 89.00 ea |
| 5034__ | 77 | Deluxe Door Panel Upper Insert Plate (includes black insert) Specify Lt or Rt .. | 89.00 ea |
| 5027__ | 70-77 | Deluxe Door Panel Carpet Chrome Strip Specify Lt or Rt | 68.00 ea |
| 4947 | 68 | Door Handle Insert | 13.75 ea |
| 4950 | 68-77 | Door Panel Velcro Fasteners | 2.50 pr |
| 4928__ | 69 | Door Panel Comfortweave Insert - Specify Color and Lt or Rt | 33.00 ea |
| 3046 | 68-77 | Door Panel Clip - Metal (4 per car) | 3.50 ea |
| 8974 | 68-77 | Door Panel Clip Screws (4) | 2.50 set |
| 8969 | 68-82 | Door Panel Screws w/Washers - Repl | 2.50 set |
| 8739 | 78-82 | Door Panel Screws w/Washers - Lower (4 of each) | 3.50 set |
| 4959__ | 68-77 | Arm Rest "U" Trim - Door Panel Specify Lt or Rt | 65.00 ea |



Interior Color Photos & Packages - Pages 5 - 6

Door Panel Trim (continued)

| | | | |
|-------------|-----------|---|----------------|
| 4970 | 68-77 | Door Handle & Lock Knob Bezel | 58.95 pr |
| 10359 | 68-77 | Inside Door Opening Handles with Decals (68 Repl) | 49.00 pr |
| 10240 | 69-77 | Inside Door Open Handle (less decal) - Lt | 22.50 ea |
| 10241 | 69-77 | Inside Door Open Handle (less decal) - Rt | 22.50 ea |
| 2939 | 68-77 | Inside Door Handle Decals | 8.50 pr |
| 8975 | 68-77 | Inside Door Handle Screws (2) | 2.50 pr |
| 2950 | 68-77 | Door Lock Knob - Repro | 12.95 ea |
| 9989 | 78-82 | Door Lock Knob | 3.50 ea |
| 2966 | 68-77 | Lock Knob Backing Spacer - Plastic | 2.00 ea |
| 2965 | 68-79 | Door Window Crank Spacer - Plastic | 2.00 ea |
| 6738 | 68 | Window/Vent Crank Handle KNOBS only Correct (Specify White, Red, Tan or Medium Blue) | 9.95 pr |
| 2960w | 68-79 | Window Crank Handle w/Black Knob | 9.00 ea |
| 5029w | 68-79 | Window Crank Handle w/Clear Knob | 9.00 ea |
| 2983 | 68-82 | Window Crank & Lock Knob Retainer Clip | .75 ea |
| 9593 | 68-77 | Window Crank Vinyl Spacer-Dye to Match | 32.00 ea |
| 4938 | 78-82 | Inside Door Release Handle Trim - (you paint to match) | 24.95 pr |
| 4922 | 78-82 | Inside Door Release Handle Trim - (Already painted your year & color) | 41.00 pr |
| 4957 | 78-82 | Arm Rest - Lt Only (Black Only) | 45.00 ea |
| 10553 | 78-82 | Arm Rests - PAIR (BLACK) | 109.00 pr |
| 4958 | 78-82 | *Arm Rests - PAIR (Original Colors) | 129.00 pr |
| | | #4958 are Top Quality and come in all original colors | |
| 8973 | 78-82 | Arm Rest Screws (6) | 4.00 set |
| 7190 | 78-82 | Arm Rest Repair Kit - repairs arm rest when front screw pulls thru | 7.50 ea |

Door Pull Handles

| | | | |
|-------------|--------------|---|-----------------|
| 2859 | 69-77 | Door Pulls - Black (Repro) | 21.95 pr |
| 2872 | 69-77 | Door Pulls - SPECIFY COLOR | 21.95 pr |
| 8972 | 69-77 | Door Pull Screws (4) | 3.50 set |

Convertible Top - See Conv. Top Section



Interior Dye

| | | | |
|------|-------|---------------------------|----------|
| 4940 | 68-82 | Vinyl Dye - Aerosol | 17.00 ea |
| 4941 | 68-82 | Vinyl Dye - Quart | 59.00 Qt |

Dash Pads & Map Pocket and Glove Box

68-77 upper dash pads have mounting clips and brackets. 70-77 dash pads have pre-cut speaker holes. Available in all original colors.

Specify Year, Color, and with or without Air Cond.

| | | | |
|------|-------|------------------------------------|--------------|
| 9600 | 68-69 | Upper Dash Pad Complete | 369.00 ea |
| 9601 | 70-76 | Upper Dash Pad Complete | 369.00 ea |
| 9602 | 77 | Upper Dash Pad Complete | 369.00 ea |
| 5035 | 68 | Lower Dash Pad - Lt | 309.00 ea |
| 7001 | 69 | Lower Dash Pad - Lt | 309.00 ea |
| 7002 | 70 | Lower Dash Pad - Lt | 309.00 ea |
| 7003 | 71-76 | Lower Dash Pad - Lt | 309.00 ea |
| 7004 | 74-76 | Lower Dash Pad with Air - Lt | 309.00 ea |
| 7005 | 77 | Lower Dash Pad - Lt | 309.00 ea |
| 7006 | 77 | Lower Dash Pad with Air - Lt | 309.00 ea |
| 5036 | 68 | Lower Dash Pad - Rt | 309.00 ea |
| 7007 | 69 | Lower Dash Pad - Rt | 309.00 ea |
| 7008 | 70 | Lower Dash Pad - Rt | 309.00 ea |
| 7009 | 71-76 | Lower Dash Pad - Rt | 309.00 ea |
| 7010 | 77 | Lower Dash Pad - Rt | 309.00 ea |
| 5379 | 78-82 | Dash Pad Complete | 519.00 ea LD |

Dash Shields

Simply snaps into place over your dash & remains securely in place with a special silicone adhesive/sealant (included). Constructed of the same ABS material used in the expensive reproduction dash pads. 70-77 even feature pre-drilled speaker holes. Specify Year and Original Color desired.

| | | | |
|------|-------|--|-----------|
| 9627 | 68-69 | Dash Shield (Cap) in original colors | 119.00 ea |
| 9621 | 70-76 | Dash Shield (Cap) in original colors | 119.00 ea |
| 9605 | 77 | Dash Shield (Cap) in original colors | 119.00 ea |
| 9622 | 78-82 | Dash Shield (Cap) in original colors | 149.00 ea |

Map Pocket and Glove Box -Specify Year and Color

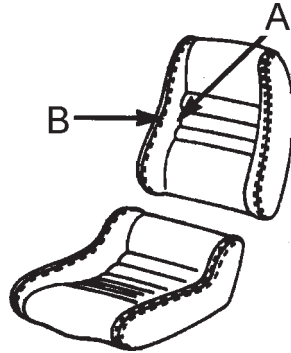
| | | | |
|------|-------|---|----------|
| 9608 | 69-77 | Map Pocket | 48.00 ea |
| 7174 | 69-77 | Map Pocket Springs | 6.95 pr |
| 7173 | 78-82 | Glove Box Door Cover - installs directly over your glove box door | 40.00 ea |

Headliner

| | | | |
|------|-------|---|-------------------|
| 9617 | 68-75 | Hardtop Headliner (3 pc) Specify Year and Color | 399.00 set |
|------|-------|---|-------------------|

How to select the Correct Size 79-82 Leather Seat Covers

- 1) If you are using new seat foam, simply select seat covers and seat foam that match in size - either both 2" or 4".
- 2) If you are using your original seat foam, locate the end of the horizontal pleats (A) on the seat back's insert area.
- 3) Then find the middle of the double stitching line(B)
- 4) Now measure the distance between (A) & (B). It will be either 2" or 4". Specify this measurement when ordering.



Seat Covers & Related - Specify Year and Color

Research shows 68-69 seat covers were 100% leather, 70-72 were originally all leather except for 2 vinyl pull tabs & 1 vinyl insert beneath the seat back bezel. 73-82 leather covers were leather on the tops, backs and sides with skirts made of vinyl. The 70-82 are also offered in 100% leather.

| | | |
|--------------|---|------------|
| 5107__ 68 | Vinyl Seat Covers - Basketweave | 239.00 set |
| 5108__ 69 | Vinyl Seat Covers - Comfortweave | 239.00 set |
| 5180__ 70-74 | Vinyl Seat Covers - Comfortweave | 239.00 set |
| 5149__ 75 | Vinyl Seat Covers - Comfortweave | 239.00 set |
| 5113__ 76 | Vinyl Seat Covers | 239.00 set |
| 5179__ 68 | Leather Seat Covers - Basketweave | 469.00 set |
| 5119__ 69 | Leather Seat Covers - 100% Leather | 489.00 set |
| 5183__ 70-71 | Leather Seat Covers - 100% Leather | 489.00 set |
| 5184__ 70-71 | Leather Seat Covers - Exact Repro | 469.00 set |
| 5188__ 72-74 | Leather Seat Covers - 100% Leather | 489.00 set |
| 7141__ 72 | Leather Seat Covers - Exact Repro | 469.00 set |
| 5189__ 73-74 | Leather Seat Covers - Exact Repro | 389.00 set |
| 7142__ 75 | Leather Seat Covers - 100% Leather | 489.00 set |
| 7143__ 75 | Leather Seat Covers - Exact Repro | 389.00 set |
| 7144__ 76-78 | Leather Seat Covers - 100% Leather | 489.00 set |
| 7145__ 76-78 | Leather Seat Covers - Exact Repro | 389.00 set |
| 7146__ 78-82 | Leather Seat Covers - 100% Leather 78 Pace and 79-82 with 2" Panel | 489.00 set |
| 7147__ 78-82 | Leather Seat Covers - 100% Leather 78 Pace and 79-82 with 4" Panel | 489.00 set |
| 7122__ 78-82 | Leather Seat Covers w/Vinyl Skirts 78 Pace and 79-82 with 2" Panel | 389.00 set |
| 7123__ 78-82 | Leather Seat Covers w/Vinyl Skirts 78 Pace and 79-82 with 4" Panel | 389.00 set |
| 5199 82 | Leather Collector's Edition Seat Covers | 569.00 set |
| 9406 68-69 | Seat Cover Installation Kit | 33.00 kit |
| 9407 70-78 | Seat Cover Installation Kit | 33.00 kit |
| 9408 78-82 | Seat Cover Installation Kit (78 Pace Car) .. | 33.00 kit |
| 5412 63-78 | Seat Cover Mounting "S" Clip | .75 ea |
| 5212 All | Hog Ring Pliers | 7.95 ea |
| 9423 All | Hog Rings (100 pcs) | 5.00 set |
| 5213 All | Seat Cover Installation Hook Tool | 10.75 ea |

Seat Covers - Leatherette

The look and feel of leather at a fraction of real leather prices. These covers are cut to the original leather cover specifications but are crafted of high grade vinyl and are cut and sewn to look like leather. (not available in 82 Collector's)

| | | |
|---------------|---------------|------------------------|
| #7235__ 68 | #7238__ 72-74 | #7241__ 79-82 2" pleat |
| #7236__ 69 | #7239__ 75 | #7242__ 79-82 4" pleat |
| #7237__ 70-71 | #7240__ 76-78 | and 78 Pace |

Leatherette Seat Covers \$ 195.00 set

Seat Covers - Pre-Mounted on New Foam

Specify whether you want 2" or 4" Panel

| | | |
|--------------|---|---------------|
| 5186__ 79-82 | Leather w/Vinyl Skirts (as original) Covers Mounted on New Foam - Ready To Install (both seats) | 739.00 set |
| 4730__ 79-82 | 100% Leather Cover Mounted on New Foam - Ready to Install (both seats) ... | 829.00 set |
| 5187__ 79-82 | Leatherette Covers Mounted on New Foam - Ready To Install (both seats) ... | 589.00 set LD |
| 7124 82 | Collector's Edition Covers Mounted on New Foam - Ready to Install (both seats) ... | 959.00 set LD |

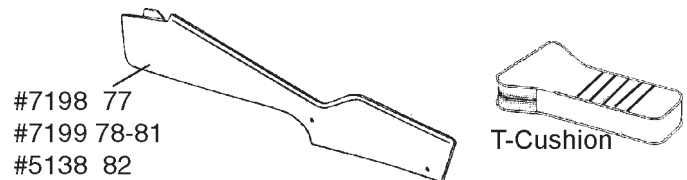
Seat Foam Sets and Seat Buckets

| | | |
|--------------|---|------------|
| 5350 68-69 | Seat Foam (set of 4) | 169.00 set |
| 5351 70-74 | Seat Foam (set of 4) | 169.00 set |
| 5353 75 | Seat Foam (set of 4) | 169.00 set |
| 5354 76-78 | Seat Foam, exc. 78 Pace car (set of 4) .. | 169.00 set |
| 5219 78-82 | Seat Foam with 2" Panel (set of 4) 78 Pace Car, 79-82 All 2" | 299.00 set |
| 7149 78-82 | Seat Foam with 4" Panel (set of 4) 78 Pace Car, 79-82 All 4" | 299.00 set |
| 5562 82 | Collector's Edition Seat Foam (Back) | 105.00 ea |
| 10454 82 | Collector's Edition Seat Foam (Bottom) .. | 105.00 ea |
| 5083 79-82 | Seat Bucket - Back (paint to match) | 175.00 ea |
| 5084 79-82 | Seat Bucket - Bottom (paint to match) ... | 239.00 ea |
| 5053__ 79-82 | Seat Bucket - Back (specify color) | 209.00 ea |
| 5054__ 79-82 | Seat Bucket - Bottom (specify color) | 265.00 ea |

Seat Backs - Specify Year and Color

| | | |
|---------------|--|-----------|
| 5260__ 68E | Seat Back, 1st Design (Low Handle) | 39.95 ea |
| 5261__ 68L-69 | Seat Back, 2nd Design (High Handle) | 39.95 ea |
| 5262__ 70-78 | Seat Back | 39.95 ea |
| 8980 68-78 | Seat Back Screws, exc. Pace Car (4) | 2.50 set |
| 4583 68-78 | Seat Back Upper Retainers (4 pcs) | 15.95 set |
| 5254 70-78 | Seat Back Retaining Strap w/Rivet | 22.95 ea |
| 10042 70-78 | Seat Back Retaining Strap Assy with Bracket | 49.00 ea |

See SEAT Section for Seat Hardware & Seat Belts



Console Side Trim Panels

| | | |
|-------------|--|----------|
| 7198__ 77 | Console Side Trim Panels - Vinyl covered panels as original (specify color) | 57.00 pr |
| 7199 78-81E | Console Side Trim Panels | 33.00 pr |
| 5138 81L-82 | Console Side Trim Panels | 33.00 pr |

Center Arm Rest T-Cushion - Specify Year & Color

| | | |
|--------------|----------------------------------|----------|
| 5392__ 68-75 | Center T-Cushion - Vinyl | 44.95 ea |
| 5393__ 68-71 | Center T-Cushion - Leather | 44.95 ea |
| 5394__ 72-78 | Center T-Cushion - Leather | 44.95 ea |
| 5395__ 79-82 | Center T-Cushion - Leather | 44.95 ea |

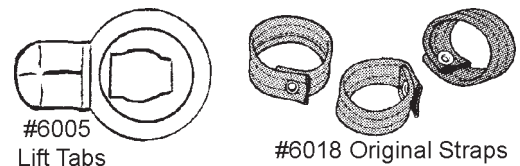
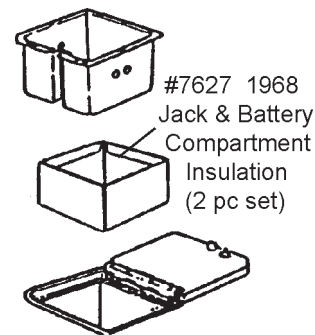
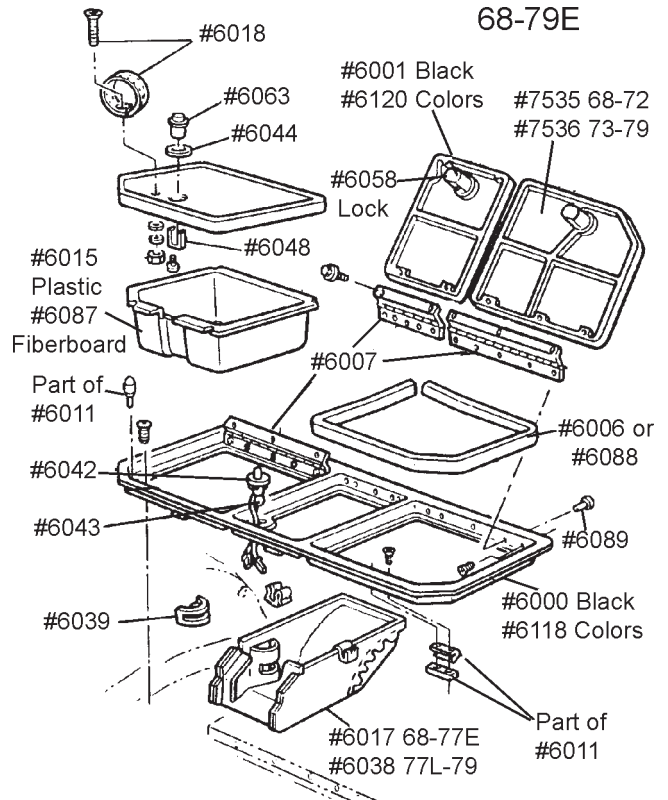
Interior COLOR Photos & PACKAGES - Pages 5 - 6

68-79 Rear Storage Compartment - 3 Door

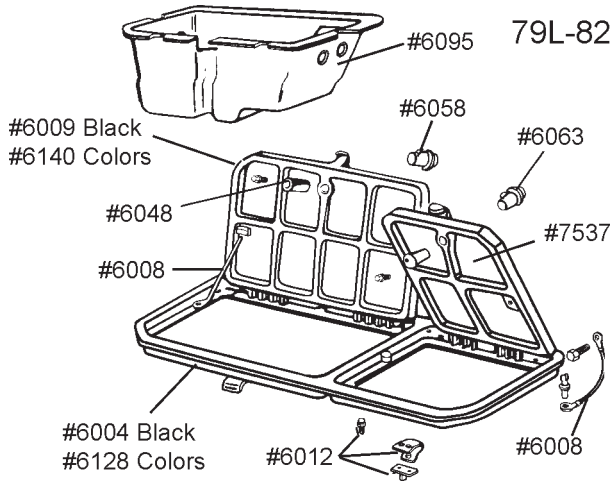
| | | | |
|--------|--------|--|--------------|
| 7085__ | 68-76 | Rear Storage Compartment 3 Door Unit with 80/20 Loop Carpet - Specify Year and Color | 179.00 ea LD |
| 7050__ | 70-79E | Rear Storage Compartment 3 Door Unit with CutPile Carpet - Specify Year and Color | 179.00 ea LD |

Units are completely assembled w/carpet and painted - Simply add locks and pulls then bolt into place.

| | | | |
|--------|--------|--|-----------|
| 6000 | 68-79 | Rear Comp. Main Frame - 3 Door in BLACK | 21.95 ea |
| 6001 | 68-79 | Rear Comp. Door Frames (set of 3) in BLACK | 23.95 set |
| 6118__ | 68-79 | Rear Comp Main Frame - 3 Door in COLORS | 39.00 ea |
| 6120__ | 68-79 | Rear Comp Door Frames (set of 3) in COLORS | 39.00 ea |
| 7535 | 68-72 | Particle Board Doors (can be used for 73-79 as a replacement)..(set of 3) .. | 38.95 set |
| 7536 | 73-79 | Plastic Doors (set of 3) | 64.95 set |
| 7627 | 68 | Jack & Battery Storage Compartment Insulation (2 pcs) | 74.00 set |
| 6015 | 68-79 | Storage Tray Rt Side, Plastic w/Flocked Inside - Replacement | 34.95 ea |
| 6087 | 68-79 | Storage Tray Rt Side, CORRECT Fiberboard w/Flocked Inside | DISC |
| 6014 | 68-79E | ICE Tray for Rt Side - replaces original storage tray (no holes) | 24.95 ea |
| 6017 | 68-77E | Center Storage Comp. Assembled w/Lens and Shield | 24.95 ea |
| 6038 | 77L-79 | Center Storage Comp. Assembled Less Light | 17.95 ea |
| 6039 | 68-77E | Center Storage Comp. Lens and Bezel | 10.95 ea |
| 6042 | 68-77E | Rear Comp. Courtesy Light Switch with Wires and Bulb | 17.50 ea |
| 6043 | 68-77E | Rear Comp. Glove Box Bulb | 1.25 ea |
| 6018__ | 68-77 | Rear Comp. Door Pull Straps (set of 3) Specify Year & Color. | 13.95 set |
| 6005 | 68-79 | Rear Comp. Door Lift Tabs - Metal (set of 3) use to replace pull straps on 68-77 cars (you can paint to match).. | 27.95 set |
| 6044 | 68-79 | Rear Comp. Push Button Ring (3 pcs) | 10.95 set |
| 6048 | 68-82 | Rear Comp. Push Button Retainer. | 3.00 ea |
| 6058 | 68-82 | Rear Comp. Glove Box Lock w/Keys | 27.95 ea |
| 6063 | 68-82 | Rear Comp. Latch with Push Button | 14.95 ea |
| 6011 | 68-79 | Rear Comp. Door Striker and Bumper Kit | 14.95 kit |
| 6006 | 68-79 | Battery Comp. Door Seal- Repl | 5.00 ea |
| 6088 | 68-79 | Battery Comp. Door Seal - one continuous piece as original | 7.95 ea |
| 6007 | 68-79 | Rear Comp. Door Hinge Set - Stainless (3 pcs) | 22.95 set |
| 6064 | 68-79 | Rear Comp. Door Trim Screw Kit (for #6001) | 3.95 kit |
| 6079 | 68-72 | Rear Comp. Hardware Screw Set Complete | 15.95 set |
| 6084 | 73-77 | Rear Comp. Hardware Screw Set Complete | 15.95 set |
| 6098 | 78-79E | Rear Comp. Hardware Screw Set Complete | 15.95 set |
| 6089 | 68-79 | Rear Comp. Hinge Mounting Aluminum Rivets (6) | 2.50 set |
| 6019 | 68-79 | Rear Storage Compartment Mounting Kit (mounts entire unit into car) 13 pcs | 4.95 kit |



Interior PACKAGES - See Page 5

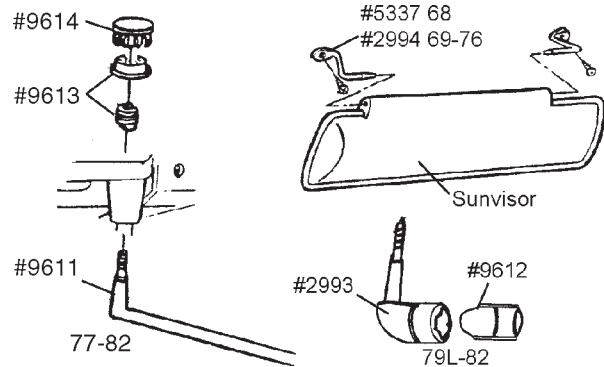


79-82 Rear Storage Compartment - 2 Door

7086__ 79L-82 Rear Storage Compartment 2 Door Unit with CutPile Carpet (Specify Year & Color) 169.00 ea LD

Units are completely assembled w/carpet and painted - simply add locks and install unit into the car.

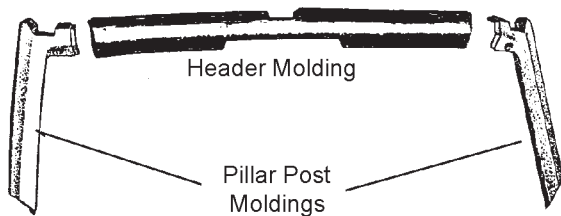
| | | | |
|--------|-------|--|-----------|
| 6004 | 79-82 | Rear Comp. Main Frame - 2 Door BLACK ... | 26.95 ea |
| 6009 | 79-82 | Rear Comp Door Frames - 2 pcs BLACK | 26.95 pr |
| 6128__ | 79-82 | Rear Comp Main Frame - 2 Door in COLORS | 45.00 ea |
| 6140__ | 79-82 | Rear Comp Door Frames - 2 piece in COLORS | 45.00 pr |
| 7537 | 79-82 | Plastic Doors - 2 pc (original type)..... | 72.95 pr |
| 10372 | 79-82 | Fiberboard Doors - 2 pc (repl) | 36.95 pr |
| 6095 | 79-82 | Storage Tray, Plastic - Rt Side | 26.00 ea |
| 6050 | 79-82 | ICE Tray for Rt Side - replaces #6095 | 24.95 ea |
| 6058 | 68-82 | Glove Box Lock w/Keys | 27.95 ea |
| 6063 | 68-82 | Rear Comp. Push Button Latch | 14.95 ea |
| 6048 | 68-82 | Rear Comp. Push Button Retainer..... | 3.00 ea |
| 6012 | 79-82 | Rear Comp. Door Striker & Bumper Kit | 9.95 kit |
| 6008 | 79-82 | Rear Comp. Door Limit Straps. | 7.95 pr |
| 6013 | 79-82 | Rear Comp. Door Hinge Rods (2) | 4.00 pr |
| 6099 | 79-82 | Rear Comp. Hardware Screw Set - Complete | 15.95 set |



Sunvisors - Do not include hardware

Always specify year and color.

| | | | |
|--------|--------|--|-----------|
| 5323__ | 68 | Sunvisors | 69.95 pr |
| 5337__ | 68 | Conv Sunvisor Support Rods w/Hardware | 49.95 set |
| 5338__ | 68 | Coupe Sunvisor Support Rods w/Hardware | 49.95 set |
| 5324__ | 69-73 | Sunvisors - Comfortweave | 59.00 pr |
| 5327__ | 69-73 | Sunvisors - Smooth (Deluxe Interiors) | 59.00 pr |
| 5328__ | 74-75 | Sunvisors - Comfortweave | 59.00 pr |
| 5339__ | 74-75 | Sunvisors - Smooth (Deluxe Interiors) | 59.00 pr |
| 5335__ | 76 | Sunvisors | 59.00 pr |
| 5634__ | 77-82 | Sunvisor - 77-79E LH w/o Telescopic 77-82 RH w/o vanity mirror | 37.95 ea |
| 5134__ | 79L-82 | Sunvisor LH Telescopic | 59.00 ea |
| 5139__ | 79L-82 | Sunvisor RH w/precut vanity mirror provision (mirror not included) | 39.00 ea |
| 2994 | 69-76 | Sunvisor Support Rods (set of 4) | 21.95 set |
| 9611 | 77-82 | Sunvisor Rod w/o Tele (77-79E All, 79L-82 Rt) | 9.95 ea |
| 10262 | 79-82 | Telescopic Sunvisor Elbow Repair Kit - includes 2993, 9612, 9613 & 9614 | 26.95 kit |
| 2993 | 79L-82 | 90 Degree Support End w/Tele - Lt | 15.95 ea |
| 9612 | 79L-82 | Sunvisor End Nylon Bushings (use with #2993) does one side | 9.95 ea |
| 9613 | 77-82 | Sunvisor End Retainer Clip & Spring | 6.50 set |
| 9614 | 77-82 | Sunvisor Mounting Hole Plug | 2.00 ea |
| 5190__ | 79-82 | Vanity Mirror (except 1981) - Specify Black, Red, Oyster, Dark Blue or Doeskin) | 99.95 ea |
| 5191 | 79-82 | Vanity Mirror (except 1981) Bushings | 5.50 pr |



Pillar Posts and Header Moldings

These exact reproduction pillar posts and header moldings are correct color vinyl molded over foam pad with metal insert as original.

SPECIFY YEAR and COLOR

| | | | |
|--------|--------|--|-----------|
| 7278__ | 68 | Conv. Windshield Header Trim Mldg | 49.95 ea |
| 7279__ | 68 | Coupe Windshield Header Trim Mldg | 49.95 ea |
| 7280__ | 69-75 | Conv. Windshield Header Trim Mldg | 49.95 ea |
| 7281__ | 69-76 | Coupe Windshield Header Trim Mldg | 49.95 ea |
| 9620__ | 77L-82 | Windshield Header Trim Molding | 49.95 ea |
| 5381__ | 68-76 | Windshield Pillar Post Molding - Lt | 49.95 ea |
| 5382__ | 68-76 | Windshield Pillar Post Molding - Rt | 49.95 ea |
| 6060__ | 77-82 | Windshield Pillar Post Moldings - Specify Year and Color)...PAIR | 109.00 pr |
| 8978 | 68-76 | Windshield Molding Trim Screws | 3.00 set |
| 8773 | 77-82 | Windshield Molding Trim Screws | 5.75 set |

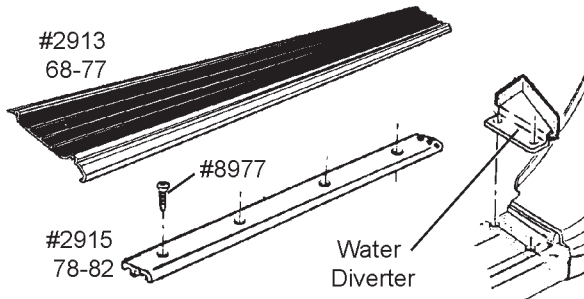


T-Tops

****T-Top Pads Have Correct Fasteners - Specify Year, Color, Lt or Rt**

| | | | |
|--|--------|---|-----------|
| 9615__ | 68-73 | T-Top Headliner Pad w/Fasteners | 149.00 ea |
| 7436__ | 74-76E | T-Top Headliner Pad w Fasteners | 149.00 ea |
| 7437__ | 76L-77 | T-Top Headliner Pad w/Fasteners | 149.00 ea |
| 9616__ | 78-79 | T-Top Headliner Pad w/Fasteners | 189.00 ea |
| 7438__ | 80-82 | T-Top Headliner Pad w/Fasteners | 189.00 ea |
| 7024__ | 68-76E | T-Top Center Panels | 189.00 ea |
| 5037__ | 76L-77 | T-Top Center Panels (76 L has dome light opening) | 189.00 ea |
| 7026__ | 78-82 | T-Top Center Panels | 209.00 ea |
| T-Top Fastener Kits include enough to do 2 Pads or 2 T-Tops | | | |
| 7027 | 68-77 | T-Top Pad Fastener Kit (Oval - 16 pc) | 22.00 kit |
| 7028 | 78-79 | T-Top Pad Fastener Kit (Round - 18 pc) | 27.00 kit |
| 7029 | 80-82 | T-Top Pad Fastener Kit (Round - 10 pc) ... | 12.95 kit |
| 10048 | 68-82 | T-Top Pad Fastener (Round) | 2.75 pr |
| 7020__ | 68-82 | T-Top Storage Bags w/Soft Lining w/Velcro Fasteners - Black, Gray, Oyster, Dark Red, Red, Tan, Dark Brown, Dark Blue | 39.95 pr |

Interior (continued)



Sill Plates

| | | | |
|-------|--------|---|----------|
| 2913 | 68-77 | Door Sill Plate..... | 19.95 ea |
| 8976 | 68-77 | Sill Plate Screws (8)..... | 3.00 set |
| 2915 | 78-82 | Door Sill Plates | 24.95 pr |
| 8977 | 78-82 | Sill Plate Screws (8)..... | 2.75 set |
| 1262 | 68-77 | Door Sill Rear Water Diverter - Lt..... | 13.95 ea |
| 1263 | 68-77 | Door Sill Rear Water Diverter - Rt..... | 13.95 ea |
| 10455 | 78-79E | Door Sill Water Diverter - pair | 29.95 pr |
| 9618 | 79L-82 | Door Sill Rear Water Diverter - Lt..... | 17.00 ea |
| 9619 | 79L-82 | Door Sill Rear Water Diverter - Rt..... | 17.00 ea |

Inside Rear Window
Plastic Trim Frame



#6112

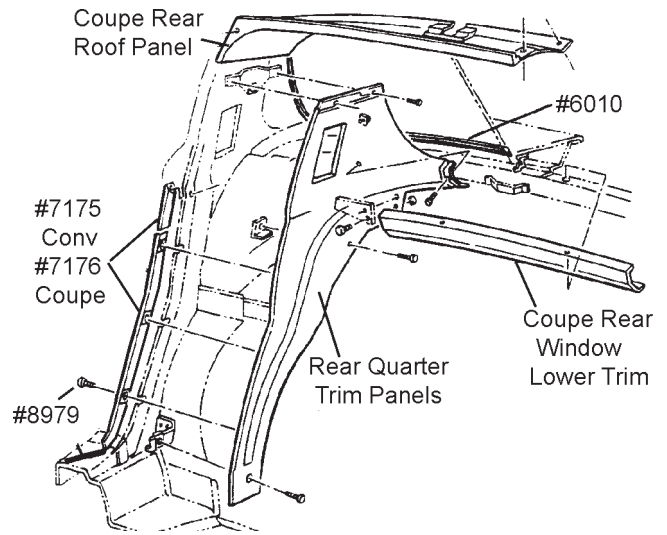
Rear Window & Rear Window Storage

| | | | |
|--------|-------|---|----------|
| 6010 | 73-77 | Inside Rear Window Plastic Trim Frame Paint to Match | 39.95 ea |
| 6040__ | 73-77 | Inside Rear Window Plastic Trim Frame Specify Color | 48.95 ea |
| 8782 | 73-77 | Inside Rear Window Molding Screws (7) | 4.25 set |
| 8796 | 78-82 | Inside Rear Window & Package Shelf Molding Screws (12) | 3.50 set |
| 6112 | 69-72 | Rear Window Lock Assembly | 62.95 ea |
| 6104 | 69-71 | Rear Window Storage Handle & Clip Assy | 48.00 ea |
| 6100 | 69-71 | Rear Window Storage Handle Clip ONLY | 20.00 ea |
| 6654 | 68-72 | Coupe Rear Window Lower Pin | 11.00 ea |
| 6083 | 78-82 | Rear Vent Shade Handle Retainer | 10.00 ea |



Miscellaneous

| | | | |
|--|-------|---|-----------|
| 5193__ | 69-77 | *Kick Panels - In Colors | 109.00 pr |
| 10282 | 69-77 | *Kick Panel - Black (paint to match) - Lt | 44.95 ea |
| 10283 | 69-77 | *Kick Panel - Black (paint to match) - Rt | 44.95 ea |
| * will have to cut when using on cars with air | | | |
| 5194__ | 78-82 | Kick Panels - In Colors | 109.00 pr |
| 6022 | 78-82 | Kick Panel - Black (paint to match) - Lt | 49.00 ea |
| 6023 | 78-82 | Kick Panel - Black (paint to match) - Rt | 49.00 ea |
| (replacement for 77-79 non air cars)..... | | | |
| 7150 | 77-82 | Coat Hook | 4.50 ea |



Rear Quarter Panels, Rear Roof Panels and Rear Lower Window Trim & Related

1968-1977 Rear Quarter Panels in all original colors, ABS covered
- No Painting required SPECIFY YEAR and COLOR

| | | | |
|--|--------|--|-----------|
| 7184__ | 68-69 | Conv Rear Qtr Side Trim Panels | 189.00 pr |
| 7185__ | 70-74E | Conv Rear Qtr Side Trim Panels <u>with</u> Shoulder Harness Provisions | 209.00 pr |
| 7182__ | 74L-75 | Conv Rear Qtr Side Trim Panels <u>with</u> Shoulder Harness Provisions | 209.00 pr |
| 7187__ | 70-75 | Conv Rear Qtr Side Trim Panels <u>without</u> Shoulder Harness Provisions | 189.00 pr |
| 7191__ | 68 | Coupe Rear Qtr Side Trim Panels | 229.00 pr |
| 7194__ | 69-73 | Coupe Rear Qtr Side Trim Panels | 229.00 pr |
| 7197__ | 74-77 | Coupe Rear Qtr Side Trim Panels | 229.00 pr |
| 7183 | 68-73 | Coupe Rear Qtr Trim Panel Extension | 84.95 pr |
| 7179 | 74-77 | Coupe Rear Qtr Trim Panel Extension | 84.95 pr |
| 10150 | 68-69 | Conv Rear Quarter Trim Panel Retainer Set (4 pcs) | 39.95 set |
| 7175 | 70-75 | Conv Rear Quarter Trim Panel Retainer Set (4 pcs) | 39.95 set |
| 7176 | 68-77 | Coupe Rear Quarter Trim Panel Retainer Set (4 pcs) | 39.95 set |
| 8979 | 68-77 | Rear Qtr. Trim Panel Retainer Screws (8 pcs) | 4.25 set |
| (68-77 Rear Roof Panels - Specify Year & Color) | | | |
| 7288__ | 68-72 | Coupe Rear Window Lower Trim (ABS covered as original) | 79.00 ea |
| 7289__ | 73-76E | Coupe Rear Window Lower Trim (ABS covered as original) | 79.00 ea |
| 7291__ | 76L-77 | Coupe Rear Window Lower Trim (painted as original) | 79.00 ea |
| (68-77 Coupe Rear Roof Panels - Specify Year & Color) | | | |
| 7520 | 68E | Coupe Rear Roof Panels | 79.95 pr |
| 7523 | 68L | Coupe Rear Roof Panels | 79.95 pr |
| 7526 | 69-72 | Coupe Rear Roof Panels | 79.95 pr |
| 7529 | 73-76E | Coupe Rear Roof Panels | 79.95 pr |
| 7524 | 76L-77 | Coupe Rear Roof Panels | 79.95 pr |
| 7525 | 78-79 | Coupe Rear Roof Panels | 79.95 pr |
| 7527 | 80-82 | Coupe Rear Roof Panels | 79.95 pr |
| 8699 | 78-82 | Rear Roof Panel Screws | 3.00 set |

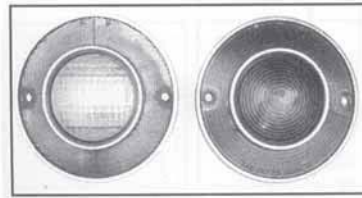


Coupe Rear
Roof Panels

LIGHTS & LAMPS

Parking Lamps

| | | | |
|-------|--------|---|--------------|
| 2013 | 68-69 | Parking Lamp Assy, Lt or Rt | 72.95 ea |
| 2027 | 68-69 | Parking Lamp Lens | 28.25 pr |
| 2035 | 68-69 | Parking Lamp Gaskets | 3.50 pr |
| 8987 | 68-69 | Parking Lamp Lens Screws (4) | 4.00 set |
| 2275 | 70-72 | Parking Lamp w/Grill (Less Lens) - Lt | 429.00 ea ND |
| 2276 | 70-72 | Parking Lamp w/Grill (Less Lens) - Rt | 429.00 ea ND |
| 2028 | 70-71 | Parking Lamp Lens (Clear) - Lt & Rt | 38.95 pr |
| 2030 | 72 | Parking Lamp Lens (Amber) - Lt & Rt | 38.95 pr |
| 2023 | 70-72 | Parking Lamp Lens Gasket | 4.50 pr |
| 8988 | 70-72 | Parking Lamp Lens Screws (6) | 7.75 set |
| 2016 | 73-74 | Parking Lamp Assy. - Lt | 72.95 ea |
| 2017 | 73-74 | Parking Lamp Assy. - Rt | 72.95 ea |
| 2018 | 75-79 | Parking Lamp Assy. - Lt | 72.95 ea |
| 2019 | 75-79 | Parking Lamp Assy. - Rt | 72.95 ea |
| 2088 | 80-82 | Parking Lamp Assy. - Lt | DISC |
| 2089 | 80-82 | Parking Lamp Assy. - Rt | DISC |
| 10189 | 68-69 | Parking Lamp Sockets w/Wire | 49.00 pr |
| 6953 | 70-77E | Parking Lamp Sockets w/Wire | 45.00 pr |
| 6959 | 77L-78 | Parking Lamp Sockets w/Wire | 45.00 pr |
| 5226 | 79 | Parking Lamp Sockets w/Wire | 45.00 pr |



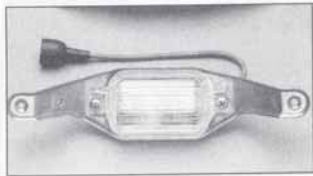
74 & 75-79 Rear Lamps



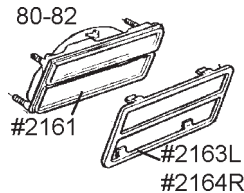
Lens Housing

Tail & Back-Up Lamps

| | | | |
|--|--------|---|-----------|
| 10456 | 68-72 | "BUBBLE" Tail Light Lens Set | 31.95 set |
| 2073 | 68-69 | Tail & Stop Lamp Lens (68 requires 4) | 53.95 ea |
| 2103 | 68 | Back-Up Lamp Lens | 42.95 pr |
| 2118 | 68 | Back-Up Lamp Lens Gasket | 4.25 pr |
| 2119 | 68 | Back-Up Light to Body Gasket | 8.00 pr |
| 2104 | 69 | Back-Up Lamp Lens | 57.95 ea |
| 2062* | 70-71E | Tail & Stop Lamp Lens Assy - Outer | 53.95 ea |
| 2105* | 70-71E | Back-Up Lamp Lens Assy | 59.95 ea |
| 2075* | 71L-73 | Tail & Stop Lamp Lens Assy - Outer | 53.95 ea |
| 2106* | 71L-73 | Back-Up Lamp Lens Assy | 59.95 ea |
| * NOTE: | | | |
| 71 Early - Center portion of lens is conical shaped | | | |
| 71 Late - Center portion of lens is spherical shaped | | | |
| 2044 | 68-71 | Tail Light Lens Housing w/Fiberoptic | 48.95 ea |
| 10190 | 68 | Inboard Tail Lamp Housing | |
| w/o Fiberoptic | | | |
| 48.95 ea | | | |
| 2045 | 72-73 | Tail Light Lens Housing w/o Fiberoptic | 48.95 ea |
| 2038 | 69-73 | Back-Up Light Lens Housing w/o | |
| Fiberoptic | | | |
| 48.95 ea | | | |
| 2117 | 68-73 | Tail Lamp Housing to Body Gaskets (4) | 9.00 set |
| 2111 | 68-73 | 68-73 Tail Lamp Lens and 69-73 Back-up | |
| Lamp Lens Gaskets (4) | | | |
| 9.00 set | | | |
| 2063 | 74 | Tail & Stop Lamp Assy | 45.95 ea |
| 2097 | 74 | Back-Up Lamp Assy | 45.95 ea |
| 2064 | 75-79 | Tail & Stop Lamp Lens Assy | 53.95 ea |
| 2098 | 75-79 | Back-Up Lamp Lens Assy | 60.95 ea |
| 2093 | 80-82 | Tail & Stop Lamp Assy | .CALL |
| 2094 | 80-82 | Back-Up Lamp Assy | 46.00 ea |
| 3485 | 68-73 | Tail Lamp Connector w/Pigtail | 11.00 ea |
| 6935 | 69-73 | Back-Up Lamp Connector w/Pigtail | 11.00 ea |
| 2079 | 68-73 | Tail/Stop or Back-Up Lamp Accordion Boot | 9.50 ea |
| 8989 | 68-69 | Tail Lamp Lens Screws (12) | 6.00 set |
| 8990 | 70-73 | Tail Lamp Lens Screws (12) | 5.50 set |
| 8991 | 74 | Tail Lamp Mtg Nuts & Washers (20) | 3.00 set |
| 8992 | 75-79 | Tail Lamp Lens Screws - Chrome Plated (8) | 6.00 set |
| 8994 | 75-82 | Tail Lamp Mtg Plastic Nut | 4.50 ea |
| 8993 | 80-82 | Tail Lamp Lens Screws (8) | 7.50 set |



68-73 License Lamp



80-82

#2161

#2163L

#2164R

Side Marker Lamps

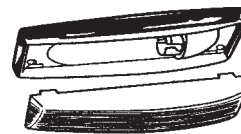
| | | | |
|-------|--------|---|----------|
| 2150 | 68 | Front Side Marker Lamp Assy | 22.25 ea |
| 2152 | 69 | Front Side Marker Lamp Assy w/Retainer | 28.95 ea |
| 2151 | 68-69 | Rear Side Marker Lamp Assy w/Retainer | 28.95 ea |
| 2149 | 68-69 | Side Marker Lamp Retainer | 7.50 ea |
| 2138 | 68-69 | Side Marker Lamp to Body Gasket (4 pcs) | 6.50 set |
| 2153 | 70-72 | Front Side Marker Lamp - Lt | 54.95 ea |
| 2154 | 70-72 | Front Side Marker Lamp - Rt | 54.95 ea |
| 10084 | 73-74E | Front Side Marker Lamp - Lt | 53.95 ea |
| 10085 | 73-74E | Front Side Marker Lamp - Rt | 53.95 ea |
| 2157 | 74L-79 | Front Side Marker Lamp - Lt | 25.00 ea |
| 2158 | 74L-79 | Front Side Marker Lamp - Rt | 25.00 ea |
| 2161 | 80-82 | Front/Corner Marker Lamps - Pair | 91.95 pr |
| 2163 | 80-82 | Front Side Marker Lamp Bezel - Lt | 18.50 ea |
| 2164 | 80-82 | Front Side Marker Lamp Bezel - Rt | 18.50 ea |
| 2155 | 70-74E | Rear Side Marker Lamp - Lt | 54.95 ea |
| 2156 | 70-74E | Rear Side Marker Lamp - Rt | 54.95 ea |
| 2159 | 74L-82 | Rear Side Marker Lamp - Lt | 35.00 ea |
| 2160 | 74L-82 | Rear Side Marker Lamp - Rt | 35.00 ea |
| 7606 | 80-82 | Front Marker Lamp Seals | 6.50 pr |
| 8995 | 68-69 | Side Marker Mtg Nuts & Washers (16) | 2.50 set |
| 8996 | 70-73 | Side Marker Mtg Nuts & Washers (16) | 2.50 set |
| 8997 | 74-82 | Side Marker Mtg Nuts & Washers (16) | 3.00 set |

74 Early have Chrome Housings 74 Late have Plastic Housings

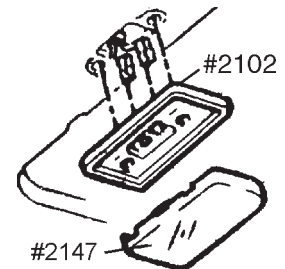
License Lamps

| | | | |
|------|-------|---|----------|
| 2191 | 68-71 | License Lamp Assy w/Fiberoptics | 49.95 ea |
| 2197 | 72-73 | License Lamp Assy w/o Fiberoptics | 43.95 ea |
| 2074 | 68-73 | License Lamp Len Only | 14.95 ea |
| 2099 | 68-73 | License Lamp Lens Gasket | 2.50 ea |
| 2123 | 74 | License Lamp Assy | 21.50 ea |
| 2124 | 75-82 | License Lamp Assy. | 12.00 ea |
| 7232 | 68-71 | Lic Lamp Lens Grommet | 5.50 ea |
| 7233 | 68-73 | Lic Lamp Fiberoptic Sensor - Red | 5.50 ea |

See also GASKETS & FASTENERS



#2140 and #2146

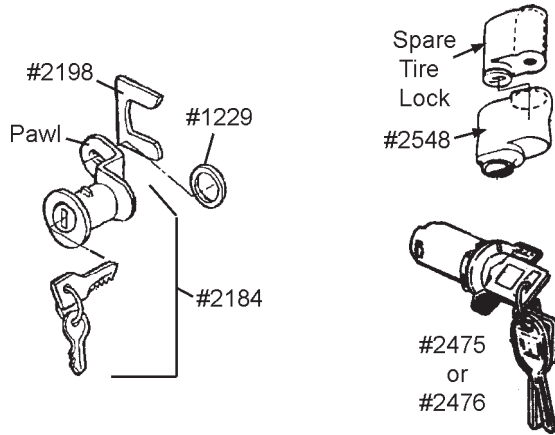


#2147

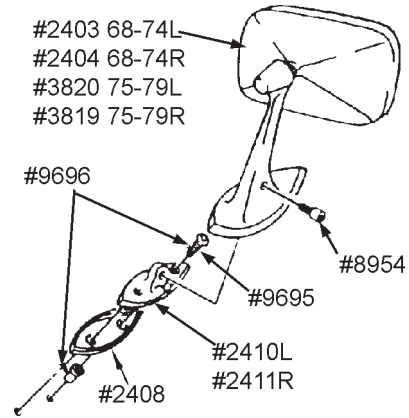
Courtesy & Dome Lights

| | | | |
|------|-------|---|----------|
| 2090 | 68 | Coupe Dome Light Lens | 26.95 ea |
| 2402 | 69-73 | Interior Dome Light Assembly | 44.00 ea |
| 2140 | 69-73 | Interior Dome Light Housing | 36.00 ea |
| 2146 | 69-73 | Courtesy Light Lens | 5.50 ea |
| 2147 | 74-82 | Dome Light Lens | 3.50 ea |
| 2102 | 74-82 | Dome Lamp Housing (less socket) | 6.50 ea |
| 2077 | 68-82 | Courtesy Light (mounts on kick panel) | .DISC |

LOCKS & RELATED



MIRROR & RELATED

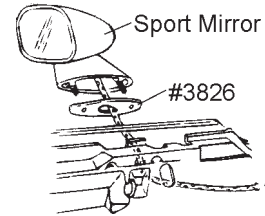


Locks & Related

All Lock Sets are keyed alike and all Locks have correct faces w/original type keys.

Special Keying Service \$12.00

| | | | |
|-------|--------|--|-------------|
| 9651 | 69-77 | Lock Set (Ignition & 2 Doors) | 58.00 set |
| 9652 | 68 | Ignition (w/Early "C" Key) | 29.00 ea |
| 5409 | 68 | Ignition Nut | 21.00 ea |
| 5419 | 68 | Ignition Bezel | 21.00 ea |
| 9653 | 68 | Glove Box & Spare Tire Set (D-Key) | 78.50 set |
| 9654 | 69-78E | Ignition Lock w/Keys | 15.95 ea |
| 9649 | 78L-82 | Ignition Lock w/Keys (78L has a set screw on the bottom of the cylinder) | 15.95 ea |
| 2184 | 69-77 | Door Locks w/Pawls | 29.00 pr |
| 2475 | 78-79 | Door Locks w/Pawls & Keys (with Lt Door Lock Alarm) | 36.50 pr |
| 2476 | 80-82 | Door Locks w/Pawls & Keys (with Door Lock Alarm in both doors) | 45.00 pr |
| 2198 | 69-82 | Door Lock Retainer Clip | 2.50 ea |
| 1229 | 68-82 | Door Lock Cylinder Gaskets | 2.00 pr |
| 8045 | 69-82 | Door Lock Pawl - Lt | 4.00 ea |
| 8046 | 69-82 | Door Lock Pawl - Rt | 4.00 ea |
| 8272 | 69-77 | Door Lock Pawl Retainer | 1.50 ea |
| 2168 | 78-82 | Glove Box Lock w/Keys | 24.00 ea |
| 2976 | 70-77 | Anti-Theft Switch w/Keys | 33.50 ea |
| 2977 | 70-77 | Retainer for Anti-Theft Switch | 2.50 ea |
| 5371 | 75-76 | Anti-Theft Alarm Switch Lock BRACKET | 4.50 ea |
| 2386 | 70-77 | Theft Alarm Lock Stainless Steel Bezel | 8.00 ea |
| 10394 | 68 | Spare Tire Lock w/Correct Key | 64.00 ea |
| 2547 | 68-82 | Spare Tire Lock (w/69-82 Type Key) | 47.00 ea |
| 2548 | 68-82 | Spare Tire Lock Rubber Boot | 7.75 ea |
| 9656 | 68-82 | Spare Tire Lock Re-Keying Service. Send us your original key blank or code and we will get a Spare Tire Lock Re-Keyed to Match | 59.00 ea ND |
| 9660 | | Key Blank Hex "C" - 68 | 4.95 ea |
| 9661 | | Key Blank Round "D" - 68 | 4.95 ea |
| 9662 | | Key Blank Square "E" - 69, 73, 77, 81 | 3.95 ea |
| 9663 | | Key Blank Oval "H" - 69, 73, 77, 81 | 3.95 ea |
| 9664 | | Key Blank Square "J" - 70, 74, 78, 82 | 3.95 ea |
| 9665 | | Key Blank Oval "K" - 70, 74, 78, 82 | 3.95 ea |
| 9666 | | Key Blank Square "A" - 71, 75, 79 | 3.95 ea |
| 9667 | | Key Blank Oval "B" - 71, 75, 79 | 3.95 ea |
| 9668 | | Key Blank Square "C" - 72, 76, 80 | 3.95 ea |
| 9669 | | Key Blank Oval "D" - 72, 76, 80 | 3.95 ea |
| 6666 | | Pwr Door Lock Switch Repair Harness,Lt . | 12.00 ea |
| 6667 | | Pwr Door Lock Switch Repair Harness,Rt | 12.00 ea |



Exterior - Chrome

| | | | |
|---|--------------|--|------------------|
| 3815 | 68-74 | Outside Mirror Set w/Mounting Kits (includes both mirrors) | 94.50 kit |
| 2403 | 68-74 | Outside Mirror w/Small Head - Lt. with Complete Mounting Kit | 49.95 ea |
| 2404 | 68-74 | Outside Mirror w/Small Head - Rt with Complete Mounting Kit | 49.95 ea |
| 3823 | 75-79 | Outside Mirror Set w/Mounting Kits (includes both mirrors) | 94.50 kit |
| 3820 | 75-79 | Outside Mirror w/Large Head - Lt with Complete Mounting Kit | 49.95 ea |
| 3819 | 75-79 | Outside Mirror w/Large Head - Rt with Complete Mounting Kit | 49.95 ea |
| #3820 and #3819 were originally used on 75-77 but will fit 78-79 | | | |
| 2408 | 68-77 | Outside Mirror Mounting Gasket | 2.50 ea |
| 8954 | 68-77 | Outside Mirror Screw - Socket Head | 1.75 ea |
| 9695 | 68-77 | L.H. Outside Mirror Bracket Mounting Screws | 1.50 pr |
| 9696 | 68-77 | R.H. Outside Mirror Bracket Mounting Kit (2 Rubber Well Nuts & 2 Screws) can also be used on Left side if reinforcement in door is missing | 5.95 kit |
| 2410 | 68-77 | Outside Mirror Mounting Bracket - Lt | 9.95 ea |
| 2411 | 68-77 | Outside Mirror Mounting Bracket - Rt | 9.95 ea |

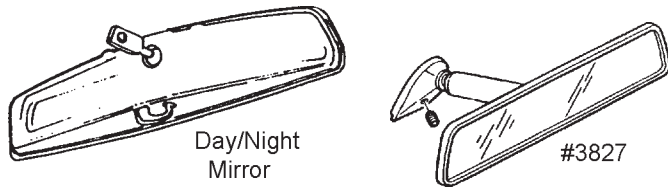
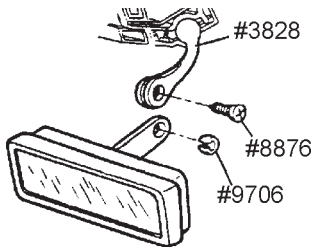
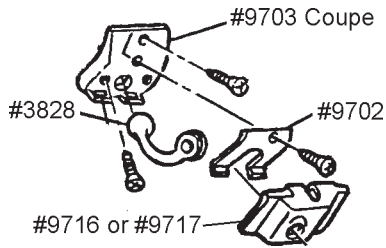
Exterior Sport Mirrors

| | | | |
|------|-------|--|----------|
| 3826 | 77-82 | Sport Mirror Mounting Gaskets | 5.00 ea |
| 3824 | 77-82 | Sport Mirror Remote Bezel on Door Panel . | 24.95 ea |
| 9699 | 77-82 | Sport Mirror Remote Bezel Retainer Plate ... | 7.50 ea |

INTERIOR MIRRORS - See Next Page

See also DOOR and DASH Sections.
Rear Storage Compartment Locks - See Interior Section

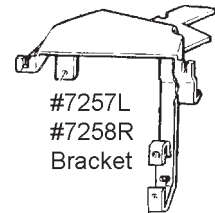
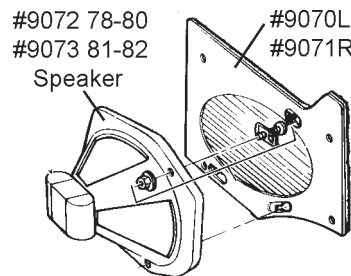
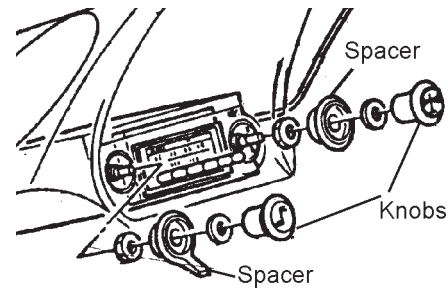
MIRROR & RELATED (continued)



Interior

| | | | |
|-------|--------|---|-----------|
| 3829 | 68-72E | Inside Day/Night Mirror - Correct 8" Reproduction with "GUIDE" (Stainless Steel Back w/Gray Rubber Trim) | 49.95 ea |
| 3923 | 72L-73 | Inside Day/Night Mirror (no map light) Simulated Black Grained Back with Black Rubber Trim 8" Repr (correct style for 72L-73 replacement for 74-76) | 54.95 ea |
| 2406 | 72L-73 | Inside Day/Night Mirror (exc Map Light) Correct Repr (Grained Black Vinyl with Black Rubber Trim) | 84.95 ea |
| 9700 | 74-76E | Inside Mirror w/o Map Light - Repl | 54.95 ea |
| 3827 | 76L-82 | Inside Mirror Day/Night 10" Replacement glue to windshield - GM (Black) | 69.95 ea |
| 10384 | 76L-82 | Inside Mirror Day/Night 10" Replacement Imported (Black) | 39.95 ea |
| 10036 | 76L-82 | Inside Mirror Day/Night 10" Replacement glue to windshield - Chrome Repr | 49.95 ea |
| 8876 | 68-76 | Inside Mirror Mounting Screw | 2.00 ea |
| 9697 | 68-76 | Coupe Inside Mirror Bracket Kit - includes Bracket, Ball Stud & Retainer | 46.95 kit |
| 9698 | 68-75 | Conv Inside Mirror Bracket Kit - includes Bracket, Ball Stud & Retainer | 56.95 kit |
| 3828 | 68-76 | Inside Mirror Ball Stud Support, Correct | 22.95 ea |
| 9702 | 68-76 | Inside Mirror Ball Stud Retainer | 9.00 ea |
| 9703 | 68-76 | Coupe Inside Mirror Bracket on Windshield Frame | 23.95 ea |
| 9704 | 68-75 | Conv. Inside Mirror Bracket on Windshield Frame | 35.95 ea |
| 9706 | 68-76 | Inside Mirror Stud Bushing | 2.50 ea |
| 9716 | 68-76 | Rear View Mirror Brkt Cover - BLACK | 26.95 ea |
| 9717 | 68-76 | Rear View Mirror Brkt Cover - In Colors .. | 26.95 ea |

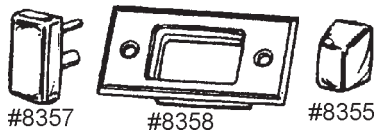
RADIO & RELATED



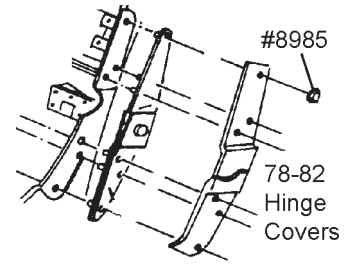
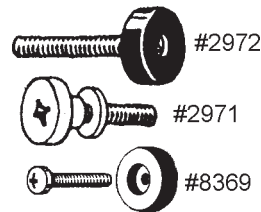
| | | | |
|-------------|-----------|---|------------------|
| 1451 | 68-69 | Speaker w/Mount Bracket 4" x 10" - stock | 26.00 ea |
| 1452 | 70-77 | Speaker 4" x 6" - Delco Upgrade | 31.50 ea |
| 10374 | 70-77 | Speaker 4" x 6" - Delco | 16.95 ea |
| 9076 | 78-82 | Top Dash Speaker Grill - Lt | 14.95 ea |
| 9077 | 78-82 | Top Dash Speaker Grill - Rt | 14.95 ea |
| 9072 | 78-80 | Rear Speaker 6" x 9" (Delco) | 21.00 ea |
| 9073 | 81-82 | Rear Speaker 6" x 9" (Delco) | 31.00 ea |
| 9070 | 78-82 | Rear Speaker Grill - Lt | 20.50 ea |
| 9071 | 78-82 | Rear Speaker Grill (78-80 Repl) - Rt | 20.50 ea |
| 7257 | 78-82 | Rear Speaker Grill Panel/Bracket - Lt | 20.95 ea |
| 7258 | 78-82 | Rear Speaker Grill Panel/Bracket - Rt | 20.95 ea |
| 7211 | 68 | Radio Knob Set (includes inner and outer for both sides) 4 pcs | 54.95 set |
| 9658 | 69-71 | Radio Knob & Spacer Set with Stereo (4 pcs) Replacement | 35.00 set |
| 8020 | 69-71 | Radio Knob & Spacer Set w/o Stereo (4 pcs) Replacement | 35.00 set |
| 1438 | 72-76 | Radio Knobs | 21.00 pr |
| 10373 | 77-80 | Radio Knob & Spacer Set (4 pcs) | 32.50 set |
| 8021 | 68-71 | Radio Lens - AM/FM Push Button | 25.95 ea |
| 8022 | 72-76 | Radio Lens - AM/FM Push Button | 25.95 ea |
| 1570 | 68-70 | Radio Ground Strap Set w/o Side Exhaust (68 All, 69 w/o side exhaust, 70 ALL) | 20.00 set |
| 3556 | 69 | Radio Ground Strap Set w/Side Exhaust .. | 20.00 set |
| 3556 | 71-72 | Radio Ground Strap Set | 20.00 set |
| 3578 | 73-74 | Radio Ground Strap Set | 20.00 set |
| 10501 | 75-77 | Radio Ground Strap Set | 20.00 set |
| 10502 | 78 | Radio Ground Strap Set w/Pwr Antenna | 23.00 set |
| 10503 | 79-80 | Radio Ground Strap Set w/Pwr Antenna | 23.00 set |
| 10504 | 78-80 | Radio Ground Strap Set w/o Pwr Antenna .. | 23.00 set |
| 10505 | 81-82 | Radio Ground Strap Set w/Pwr Antenna | 23.00 set |
| 10506 | 81-82 | Radio Ground Strap Set w/o Pwr Antenna .. | 23.00 set |

**CUSTOM - FIT STEREO
& SPEAKERS**
See Pages 212-214

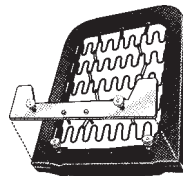
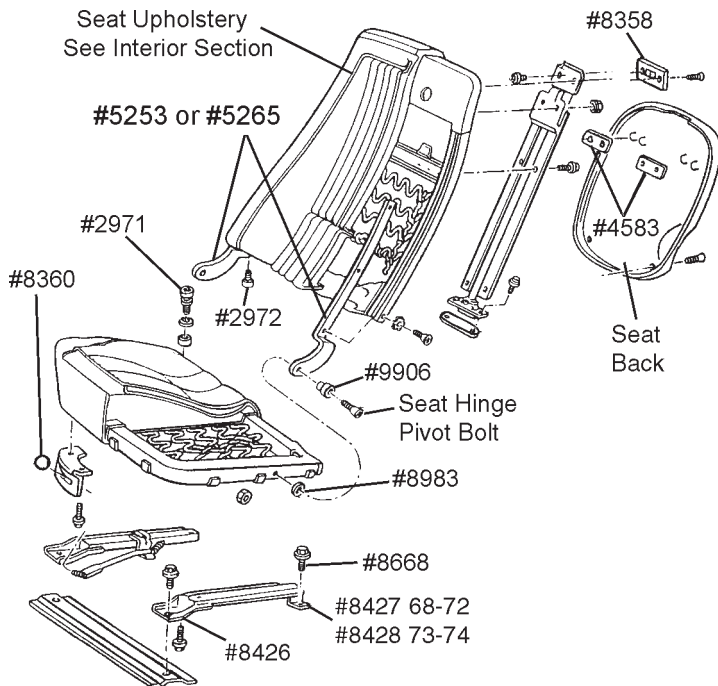
SEAT TRIM & HARDWARE



| | | | |
|------|-------|--|-----------|
| 4583 | 68-78 | Seat Back Retainers.. (4 pcs) | 15.95 set |
| 8355 | 68-69 | Seat Back Release Knob | 10.95 ea |
| 8357 | 70-78 | Seat Back Release Button | 10.95 ea |
| 8358 | 70-78 | Seat Back Release Button Bezel | |
| | | CORRECT | 20.95 ea |
| 8725 | 70-78 | Seat Back Release Button Screws (2 pc) | 2.25 pr |
| 8726 | 70-78 | Seat Back Release Bezel Screws (4 pc) | 2.50 set |
| 8351 | 70-75 | Seat Back Upper Molding - Solid Molding (no hole cut out for shoulder harness) | 49.95 ea |
| 8352 | 70-75 | Seat Back Upper Molding - Driver's Side with hole cut out for shoulder harness | 49.95 ea |
| 8359 | 70-75 | Seat Back Upper Molding - Passenger's Side with hole cut for shoulder harness | 49.95 ea |
| 5288 | 70-75 | Seatbelt Shoulder Harness Bezel - Lt mounts in upper area of seat back | 21.00 ea |
| 5289 | 70-75 | Seatbelt Shoulder Harness Bezel - Rt mounts in upper area of seat back | 21.00 ea |
| 5268 | 68-69 | Seat Back Adjustment Shim Kit w/Bag (4 washers, 4 shims) | 34.00 kit |
| 5269 | 70-75 | Seat Back Adjustment Shim Kit w/Bag (4 large shims) | 22.00 kit |
| 8356 | 68-69 | Seat Back Stop - Oval Shaped (Repl.) | 4.50 ea |
| 8425 | 69 | Seat Back Upper Stop Bumper w/Screw (Round) | 5.25 pr |
| 8369 | 69 | Seat Bottom Lower Stop Rubber Bumper w/Screw - Correct Round (2 of each) | 9.00 kit |



| | | | |
|--------|--------|---|------------|
| 2972 | 70-78 | Seat Back UPPER Rubber Bumper Stop w/Screw (4 req) | 3.00 ea |
| 2971 | 70-78 | Seat Bottom LOWER Stop Adjuster Bolt 4 req | 3.50 ea |
| 8360 | 68-78 | Seat Adjusting Chrome Ball - Metal | 13.50 ea |
| 8424__ | 78-82 | Seat Adjustment Knob (in colors) specify 03 black, 61 red, 64 oyster, 65 doeskin, 66 dark blue | 22.50 pr |
| 8852 | 68-70E | Seat Hinge Pivot Bolt (9/16" Diameter Small Head) | 3.00 ea |
| 8784 | 70L-73 | Seat Hinge Pivot Bolt (9/16" Diameter Small Head) | 3.00 ea |
| 8982 | 74-78 | Seat Hinge Pivot Bolt (3/4" Diameter Large Head) | 3.00 ea |
| 8983 | 68-78 | Seat Hinge Pivot Washer | 1.50 ea |
| 5253 | 68-74E | Seat Side Rails (Chrome) w/Hardware | 179.00 set |
| 5265 | 74L-78 | Seat Side Rails (Chrome) w/Hardware | 195.00 set |
| 9906 | 74-78 | Seat Back Hinge Bushing | 1.75 ea |
| 5275 | 78-82 | Seat Hinge Cover Set (does one seat) BLACK - Paint to Match (4 pcs) | 49.95 set |
| 5247__ | 78-82 | Seat Hinge Cover Set (does one seat) In COLORS (4 pcs) | 59.95 set |
| 8985 | 78-82 | Seat Side Acorn Hinge Nut (set of 3) 78 Pace Car and 79-82 All | 2.00 set |
| 10022 | 78-82 | Seat Side Acorn Hinge Nut Set (24 pcs) | 14.00 set |
| 5192 | 81-82 | Power Seat Adjust Switch Bezel on seat | 26.95 ea |
| 9909 | 73-75 | Conv. Seat Back Bumper on Deck Lid | 16.50 ea |
| 8668 | 68-82 | Seat Mounting Bolts (8 pcs) | 5.00 set |
| 8426 | 68-78 | Seat Adjusting Front Mounting Bracket (welds to seat frame) | 16.00 ea |
| 8427 | 68-72 | Seat Adjuster Rear Mounting Bracket (welds to seat frame) | 16.00 ea |
| 8428 | 73-74 | Seat Adjuster Rear Mounting Bracket | 16.00 ea |
| 10375 | 70-78 | Seat Bottom Frame Reinforcement Repair Plate - bolts to the bottom seat frame with existing hardware. Great for repairing a seat that is in a permanent reclining position or one that has no support for the seat back stops. | 24.95 ea |



10375

Seat Backs



| | | | |
|--------|--------|---|----------|
| 5260__ | 68E | Seat Back, 1st Design (Low Handle) Specify Color | 39.95 ea |
| 5261__ | 68L-69 | Seat Back, 2nd Design (High Handle) Specify Color | 39.95 ea |
| 5262__ | 70-78 | Seat Back, Specify Color | 39.95 ea |
| 8980 | 68-78 | Seat Back Screws, exc. Pace Car (4) | 2.50 set |
| 5254 | 70-78 | Seat Back Retaining Strap w/Rivet | 22.95 ea |
| 10042 | 70-78 | Seat Back Retaining Strap Assy w/Bracket | 49.00 ea |



#5254 70-78 Seat Back Strap

See also FASTENERS, INTERIOR TRIM & MOLDING and INTERIOR Sections.

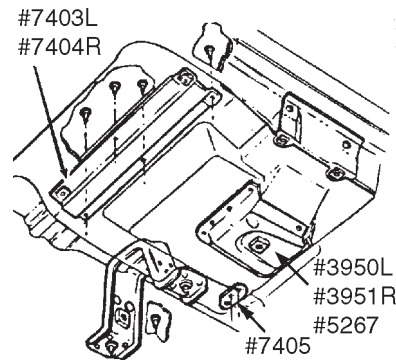
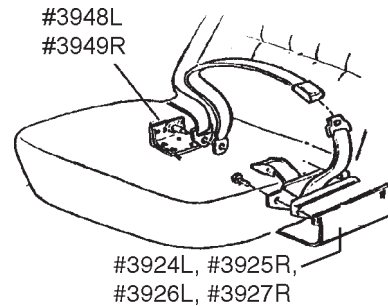
SEAT BELTS & RELATED

Seat Belt - Push Button Type - Replacement Only

Replacement Seat Belts with a push button release.
No shoulder harness or retractor provisions.
These are a functional replacement only.

See Page 6 for Photo of Seat Belts

| | | | |
|------|-------|---|----------|
| 7260 | 68-82 | Replacement Lap Seat Belts - Black | 55.00 pr |
| 7261 | 68-82 | Replacement Lap Seat Belts - Brown | 55.00 pr |
| 7262 | 68-82 | Replacement Lap Seat Belts - Silver | 55.00 pr |
| 7263 | 68-82 | Replacement Lap Seat Belts - Oxblood | 55.00 pr |
| 7264 | 68-82 | Replacement Lap Seat Belts - Med. Blue .. | 55.00 pr |
| 8353 | 68-82 | Replacement Lap Seat Belts - Saddle | 55.00 pr |
| 8354 | 68-82 | Replacement Lap Seat Belts - Red | 55.00 pr |
| 2997 | 68 | Bolt Only, Latch End Mounting | 3.50 ea |
| 2997 | 68 | Bolt Only, Shoulder Harness Unit | 3.50 ea |
| 8229 | 68-69 | Nut Only, Latch End Mounting | 1.50 ea |



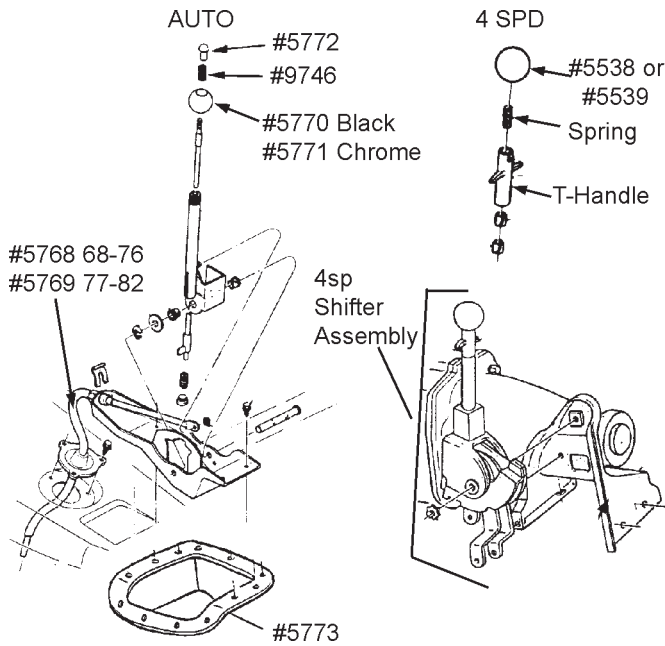
Seat Belt Pockets, Sleeves, Etc.

| | | | |
|--------|-------|---|----------|
| 8326 | 68 | Twin Seat Belt Pocket - for cars with shoulder belt option - BLACK | 18.00 ea |
| 8327__ | 68 | Twin Seat Belt Pocket - for cars with shoulder belt option - RED, BLUE or SADDLE | 28.00 ea |
| 5255 | 69 | Shoulder Harness Retractor Cover BLACK Only | 39.00 pr |
| 5256__ | 69 | Shoulder Harness Retractor Cover Specify RED, BLUE or Med SADDLE | 47.00 pr |
| 5290 | 69E | Seat Belt Buckle Sleeve (inner) use with plastic buckles - BLACK Only | 28.00 pr |
| 5291__ | 69E | Seat Belt Buckle Sleeve (inner) use with plastic buckles - Specify RED, BLUE or Med SADDLE | 37.00 pr |
| 5292 | 69L | Seat Belt Buckle Sleeve (inner) use with metal buckles - BLACK Only | 28.00 pr |
| 5293__ | 69L | Seat Belt Buckle Sleeve (inner) use with metal buckles - Specify RED, BLUE or Med SADDLE | 37.00 pr |
| 5294 | 70-73 | Seat Belt Buckle Sleeve (inner) BLACK ... | 28.00 pr |
| 5295__ | 70-73 | Seat Belt Buckle Sleeve (inner) Specify RED, BLUE or Med SADDLE | 39.00 pr |
| 5296 | 74-82 | Seat Belt Buckle Sleeve - BLACK | 28.00 pr |
| 5278__ | 74-82 | Seat Belt Buckle Sleeve - Specify RED, BLUE or Med SADDLE | 37.00 pr |
| 5279__ | 70-75 | Seat Belt & Shoulder Harness Web Stop Prevents over retraction. Used in 70-73 Coupe and 70-75 Conv - 2 required. 4 required for shoulder harnesses. Specify Black, Red, Blue or Med Saddle | 22.00 pr |

Underbody Reinforcements

| | | | |
|--------|--------|---|-------------|
| 3960 | 68E | Underbody Seat Belt Reinforcement - Outside Belt - Lt | 44.00 ea |
| 3961 | 68E | Underbody Seat Belt Reinforcement - Outside Belt - Rt | 44.00 ea |
| 3950 | 68L-69 | Underbody Seat Belt Reinforcement - Outside Belt - Lt | 44.00 ea |
| 3951 | 68L-69 | Underbody Seat Belt Reinforcement - Outside Belt - Rt | 44.00 ea |
| 5267__ | 72-73 | Underbody Seat Belt Reinforcement Outer - Specify Left or Right | 67.00 ea ND |
| 8429 | 75 | Underbody Seat Belt Anchor/Rein - Lt | 42.00 ea |
| 8430 | 75 | Underbody Seat Belt Anchor/Rein - Rt | 42.00 ea |
| 3924 | 68 | Underbody Seat Belt Guide Reinforcement Outside Belt - Lt | 44.00 ea |
| 3925 | 68 | Underbody Seat Belt Guide Reinforcement Outside Belt - Rt | 44.00 ea |
| 3926 | 69 | Underbody Seat Belt Guide Reinforcement Outside Belt - Lt | 44.00 ea |
| 3927 | 69 | Underbody Seat Belt Guide Reinforcement Outside Belt - Rt | 44.00 ea |
| 3948 | 68-69 | Underbody Seat Belt Reinforcement - Inside Belt w/Stud - Lt | 22.00 ea |
| 3949 | 68-69 | Underbody Seat Belt Reinforcement - Inside Belt w/Stud - Rt | 22.00 ea |
| 7403 | 68-74 | Front Seat Mounting Underbody Reinforcement - Lt | 28.00 ea |
| 7404 | 68-74 | Front Seat Mounting Underbody Reinforcement - Rt | 28.00 ea |
| 7405 | 68-74 | Seat Mounting Rear Underbody Nut Plate Lt or Rt | 11.00 ea |

SHIFTER & TRANSMISSION



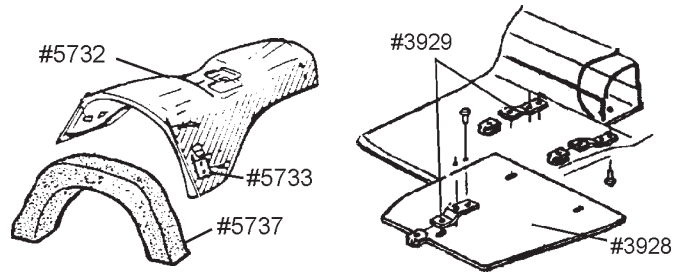
Shifter

Hurst Shifter Handles - for use on Hurst* Competition Plus Shifters in place of Hurst* Handle - includes shaft, T-Handle & Knob for a stock look. Uses stock shift boot.

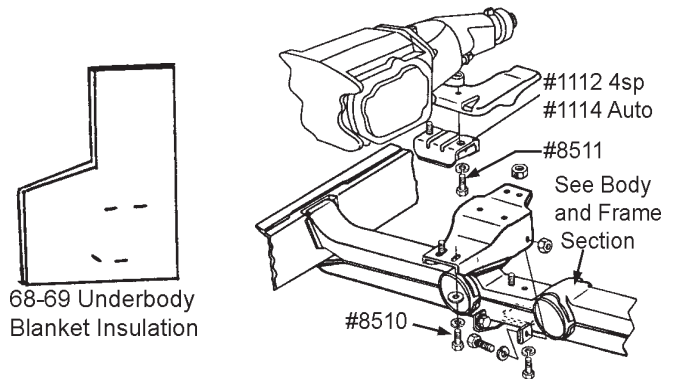
| | | | |
|------|-------|---|-----------|
| 9766 | 68-76 | 4sp Hurst Shifter Handle - Specify black or chrome knob | 89.95 ea |
| 5775 | 77-81 | 4sp Hurst Shifter Handle - Specify black or chrome knob | 89.95 ea |
| 5587 | 68-76 | 4sp Shifter Assembly w/Knob..... | 189.00 ea |
| 9765 | 77-81 | 4sp Shifter Assembly w/Knob | 189.00 ea |
| 5591 | 68 | 4sp Shifter Linkage | 69.00 set |
| 5762 | 69-73 | 4sp Shifter Linkage | 69.00 set |
| 5782 | 74-76 | 4sp Shifter Linkage (Borg-Warner) | 69.00 set |
| 5784 | 77-81 | 4sp Shifter Linkage (Borg-Warner) | 69.00 set |
| 9767 | 69-75 | 4sp Trans. Control Interlock Cable - Column to Trans. | 36.00 ea |
| 5538 | 68-81 | Chrome Shifter Knob 4sp & 3sp | 15.00 ea |
| 5539 | 68-81 | Black Chrome Shifter Knob 4sp & 3sp | 16.00 ea |
| 5541 | 68-76 | 4sp Reverse Lockout T-Handle w/Rod | 13.95 ea |
| 5763 | 77-81 | 4sp Reverse Lockout T-Handle w/Rod | 13.95 ea |
| 9768 | 68-76 | Shifter Reverse Lockout Spring | 3.00 ea |
| 9769 | 77-81 | Shifter Reverse Lockout Spring | 3.00 ea |
| 5552 | 68-81 | 4sp Shifter Lower Seal (Boot) w/Retainer .. | 26.00 ea |
| 9771 | 68-70 | 3sp Shifter w/Knob | 245.00 ea |
| 9772 | 68-70 | 3sp Shifter Linkage | CALL |
| 5767 | 68-76 | Automatic Shifter w/Knob (REBUILT) | 149.00 ea |
| 5366 | 77-82 | Automatic Shifter w/Knob (REBUILT) | 149.00 ea |
| 5768 | 68-76 | Auto. Shift Control Cable | 81.50 ea |
| 5769 | 77-82 | Auto. Shift Control Cable | 63.00 ea |
| 5773 | 68-76 | Auto. Shifter Lower Seal (rubber boot only) | 16.95 ea |
| 9773 | 69-76 | Auto. Trans. Control Interlock Cable - Column to Trans. | 36.00 ea |
| 5770 | 68-82 | Auto Shifter Knob - Black Plastic | 16.95 ea |
| 5771 | 68-82 | Auto Shifter Knob - Custom Chrome | 17.95 ea |
| 5772 | 68-82 | Auto Shifter Chrome Push Button | 9.95 ea |
| 9746 | 68-82 | Auto Shifter Knob Button Spring | 4.50 ea |
| 9722 | 68-81 | Shifter Rod & Clutch Rod "G" Clip | 1.00 ea |

Neutral Safety & Back-up Switches - See Switch Section

Transmission & Underbody

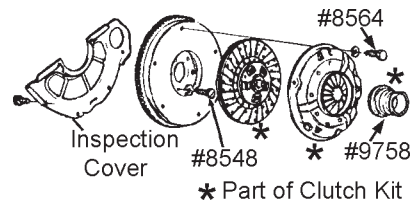
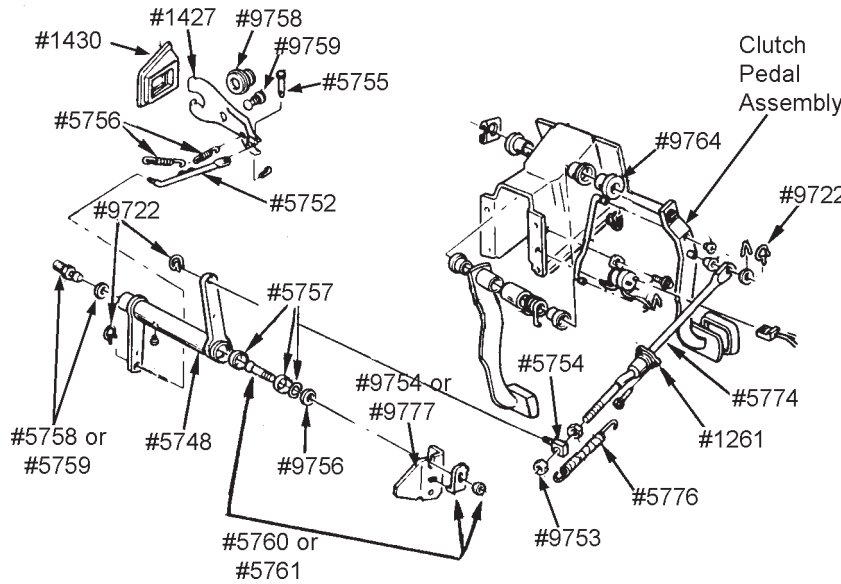


| | | | |
|------|---------|---|-----------|
| 5737 | 68-79 | Trans. Tunnel Foam Collar | 15.95 ea |
| 5732 | 68-75 | Trans. Tunnel Insulation | 34.95 ea |
| 5733 | 68-75 | Trans Tunnel Insulation Retainer (4 req) | 2.50 ea |
| 5999 | 68-82 | Trans Tunnel Retainer Rivets - (25 pcs) | 4.00 set |
| 5777 | 68-69 | Underbody Blanket Insulation - Lt | 27.50 ea |
| 5778 | 68-69 | Underbody Blanket Insulation - Rt | 27.50 ea |
| 5779 | 68-69 | Underbody Blanket Insulation Retainers (17 pc set) | 35.00 set |
| 3928 | 68L-69E | Underbody Heat Shields, Lt or Rt | 16.00 ea |
| 3929 | 68-75 | Underbody Heat Shield Bracket (strap) (68E and 70-75 use 2, 68L-69 use 6) | 9.00 ea |
| 4372 | 68-82 | Stud Plate T-Bolt Fastener | 6.50 ea |



| | | | |
|------|-------|---|-----------|
| 7441 | 68-70 | Trans Gaskets & Seal Set, 4sp Muncie | 22.95 set |
| 7449 | 71-74 | Trans Gaskets & Seal Set, 4sp Muncie | 22.95 set |
| 1112 | 68-82 | Trans. Mount (except 68-77 Auto) | 11.00 ea |
| 1114 | 68-77 | Trans. Mount w/Auto | 11.00 ea |
| 8510 | 68-82 | Trans Mount to Bracket Bolt Set (4 pcs) | 4.00 set |
| 8511 | 68-82 | Trans Mount to Trans Bolts/Washers (4) | 2.50 set |
| 9774 | 68-74 | Automatic Transmission S.S. Cooling Lines w/clips (68-69 All, 70-74 Sm Blk TH 350, 68-74 Sm Blk TH 400) | 55.95 pr |
| 9775 | 70-74 | 454 Turbo 400 Automatic Transmission S.S. Cooling Lines w/Clips | 88.95 pr |
| 5171 | 70-74 | 454 Trans Modulator Line - intake to trans. (68-69 repl) | 66.95 ea |
| 6317 | 68-82 | Auto Trans Cooling Line "C" Clip Set (3) | 6.00 set |
| 5160 | 68-82 | Trans Cooling Upper Outlet Pipe on Radiator S.S. | 12.00 ea |
| 5161 | 68 | Trans Cooling Lower Inlet Pipe on Copper Radiator S.S. | 12.00 ea |
| 5162 | 69-72 | 350 Trans Cooling Lower Inlet Pipe on Copper Radiator S.S. | 12.00 ea |
| 5163 | 69-72 | 427/454 Trans Cooling Lower Inlet Pipe on Copper Radiator S.S. | 12.00 ea |
| 5164 | 73-75 | Trans Cooling Lower Inlet Pipe on Copper Radiator S.S. | 12.00 ea |
| 5165 | 76-82 | Trans Cooling Lower Inlet Pipe on Radiator S.S. | 10.00 ea |

**See FRAME Section for Crossmembers
Transmission Yokes - See Rear Suspension**



CLUTCH

| | | | |
|-------------|--------------|---|----------------|
| 5801 | 68-79 | Clutch Pedal Assembly | 69.00 ea |
| 5786 | 80-81 | Clutch Pedal Assy w/Pad & Bushing | 84.00 ea |
| 6322 | 68-81 | Clutch Pedal Push Rod Spacer | 1.25 ea |
| 7795 | 68-81 | Clutch Neutral Safety Switch on Pedal 3sp & 4sp | 65.00 ea |
| 5774 | 68-81 | Clutch Pedal Push Rod | 17.75 ea |
| 9764 | 68-82 | Brake & Clutch Pedal Pivot Bushings (4 pcs) | 6.00 set |
| 1220 | 68-72 | Clutch Pedal Bumper | 3.00 ea |
| 9776 | 73-81 | Clutch Pedal Bumper | 3.00 ea |
| 1261 | 68-81 | Clutch Push Rod Firewall Boot | 14.00 ea |
| 5776 | 68-81 | Clutch Return Spring | 6.00 ea |
| 5754 | 68-81 | Swivel - Clutch Pedal Push Rod | 8.25 ea |
| 9753 | 68-81 | Clutch Pedal Push Rod Swivel Nut | 1.50 pr |
| 5748 | 68-81 | Clutch Cross Shaft - All | 90.00 ea |
| 9754 | 68-79 | Clutch X-Shaft to Frame Bracket (weld-on) | 17.00 ea |
| 9777 | 80-81 | Clutch X-Shaft to Frame Bracket (bolt-on) | 16.00 ea |
| 5760 | 68-71 | Cross Shaft to Frame Stud Kit - Stud, Lockplate & Nut | 11.00 kit |
| 5761 | 72-81 | Cross Shaft to Frame Stud Kit - Stud, Lockplate & Nut | 12.50 ea |
| 9755 | 68-81 | Lockplate - Cross Shaft Stud | 2.00 ea |
| 5757 | 68-81 | Clutch Cross Shaft Nylon Seat Kit (3 pcs) | 5.00 kit |
| 9756 | 68-81 | Clutch Cross Shaft Felt Seal | 1.50 ea |
| 5758 | 68-72 | Clutch Pivot Shaft on Engine Block | 14.00 ea |
| 5759 | 73-81 | Clutch Pivot Shaft on Engine Block | 14.00 ea |
| 5752 | 68-81 | Clutch Push Rod to Fork | 16.00 ea |
| 1427 | 68-81 | Clutch Fork | 61.00 ea |
| 10287 | 68-81 | Clutch Fork Throw Out Bearing SPRING w/Rivet | 6.00 ea |
| 5755 | 68-81 | Pin - Clutch Push Rod to Fork | 3.50 ea |
| 5756 | 68-81 | Anti-Rattle Spring - Clutch Fork | 3.00 ea |
| 1430 | 68-81 | Clutch Fork Boot | 8.00 ea |
| 9759 | 68-81 | Clutch Fork Pivot Stud 1 1/2" Long | 12.00 ea |
| 5741 | 68-74 | Clutch Inspection Cover - Bell Housing w/10 1/2" Clutch (3 1/4" Dia. hole) | 18.25 ea |
| 5742 | 68-74 | Clutch Inspection Cover - Bell Housing w/11" Clutch (2 7/8" Dia. hole) | 24.75 ea |
| 5787 | 75-81 | 350 Clutch Inspection Cover | 14.50 ea |
| 8759 | 68-81 | Clutch Inspection Cover Bolt Set (Hex) 4pc 3.50 set | |
| 9722 | 68-81 | Shifter Rod & Clutch Rod "G" Clip | 1.00 ea |

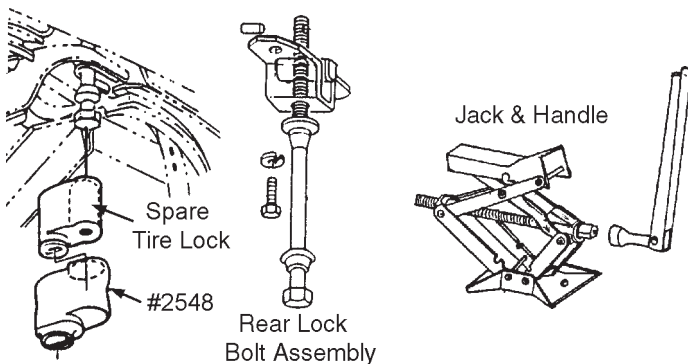
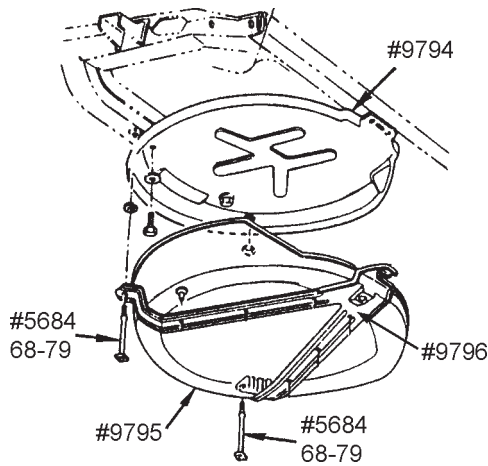
NEUTRAL SAFETY & BACK-UP LAMP SWITCHES See Switches

Clutch Plate, disc & throw-out bearing assemblies w/pilot bearing

All parts are new and are made in the U.S. by the O.E. supplier to G.M.

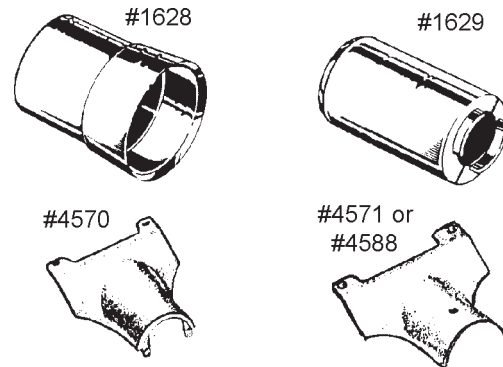
| | | | |
|-------------|--------------|---|-------------------|
| 9770 | 68-70 | Clutch Kit, 10 1/2" (10.400) Clutch, 10 spline 68 327/350 HP w/SpHiPer 69 350/350 HP w/SpHiPer 70 350/350 HP & 370 HP LT-1 w/SpHiPer 68-69 L-88 | 179.00 kit |
| 9779 | 68-70 | Clutch Kit, 11" Clutch, 10 Spline 68 327/300 HP exc SpHiPer 69 350/300 HP exc SpHiPer 68-69 427/390 HP - 435 HP 70 350/300 HP exc SpHiPer 70 454 LS-5 exc SpHiPer | 179.00 kit |
| 9782 | 71-81 | Clutch Kit, 11" Clutch, 26 Spline 71-81 All 350 exc 71-72 LT-1 exc 78 L-48 71-74 454 LS-5 exc 71 454 LS-6 | 189.00 kit |
| 9770 | 78 | Clutch Kit, 10 1/2" Clutch, 10 Spline 78 L-48 | 179.00 kit |
| 9788 | 71-72 | Clutch Kit, 10 1/2" Clutch, 26 Spline 71-72 350 LT-1 71 454 LS-6 | 179.00 kit |
| 9758 | 68-81 | Clutch Release Throw-Out Bearing TIMKEN | 20.00 ea |
| 6320 | 68-81 | Clutch Pilot Bearing - Roller Type | 17.95 ea |
| 6321 | 68-81 | Clutch Pilot Bushing - Bronze | 6.00 ea |
| 8548 | 68-81 | Flywheel to Crankshaft Bolts w/Std Trans | 8.00 set |
| 8564 | 68-81 | Clutch Pressure Plate to Flywheel Bolts w/Std Trans | 8.00 set |
| 8765 | 68 | Bellhousing to Engine Bolts "M" Head (6) | 7.00 set |
| 8683 | 69-79 | Bellhousing to Engine Bolts "A" Head (6) | 9.00 set |
| 8550 | 68-81 | Transmission to Bellhousing "TR" Bolts | 6.00 set |

SPARE TIRE CARRIER & JACKS



| | | | |
|---|-------|--|--------------|
| 5685 | 68-74 | Rear Tire Carrier Lock Bolt Assy | 31.50 ea |
| 5694 | 75-77 | Rear Tire Carrier Lock Bolt Assy | 36.00 ea |
| 5697 | 78-82 | Rear Tire Carrier Lock Bolt Assy | CALL |
| Lock Bolt Assemblies - Bolt, Bracket, Nut, Pin & Washer | | | |
| 5684 | 68-79 | Front Tire Carrier Bolt. (Used)..... | 20.00 pr |
| 5698 | 80-82 | Front Spare Tire Carrier Hanger | 9.50 ea |
| 10394 | 68 | Spare Tire Lock (w/68 Key) | 64.00 ea |
| 2547 | 68-82 | Spare Tire Lock (w/69-82 Key) | 47.00 ea |
| 2548 | 68-82 | Spare Tire Lock Boot | 7.75 ea |
| 9794 | 68-82 | Spare Tire Carrier Upper Cover, Plastic ... | 75.00 ea |
| 9795 | 68-82 | Spare Tire Lower Carrier, Fiberglass | 219.00 ea |
| 9796 | 68-82 | Spare Tire "V" Strap - USED | 100.00 ea ND |
| 5999 | 63-82 | Body Assembly Aluminum Rivets - Large Head 5/8" long (25) for attaching tire tray to "V" strap | 4.00 set |
| 9791 | 68E | Correct Repro Jack Type III | 149.00 ea |
| 9798 | 68L | Correct Repro Jack Type IV | INQUIRE |
| (68 Jacks Available w/Date Stamp EXTRA \$10.00 - Specify date) | | | |
| 2542 | 68-82 | Jack (68-77 Repl, Correct for 78-82)..... | 199.00 ea |
| 2546 | 68-82 | Jack Handle/Lug Wrench (3 hole)..... | 26.00 ea |
| 2552 | 68-82 | Bumper - Jack Handle | 4.50 ea |
| 2583 | 68-82 | Jack Hold Down Spring | 8.50 ea |
| 2497 | 68-82 | Jack Spring Brackets w/Rivets | 13.00 set |

STEERING COLUMN



| | | | |
|------|-------|---|----------|
| 1628 | 68 | Upper Steering Column Cover (2 pcs) | 69.95 ea |
| 1629 | 68 | Lower Steering Column Cover (2 pcs) | 59.95 ea |
| 4570 | 68 | Lower Steering Column Cover on Dash (Must Paint) | 59.95 ea |
| 4588 | 69-77 | Lower Steering Column Cover On Dash in COLORS - specify year & color | 49.95 ea |
| 4543 | 78-82 | Lower Steering Column Cover - in COLORS Specify Year & Color) | 49.95 ea |



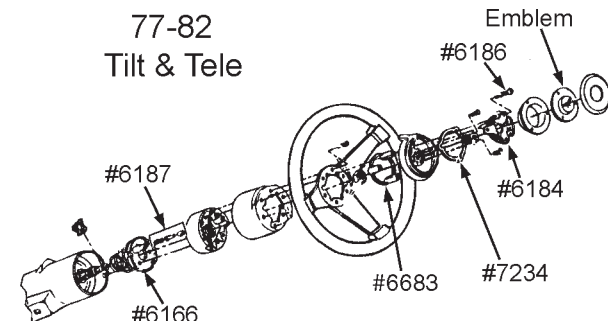
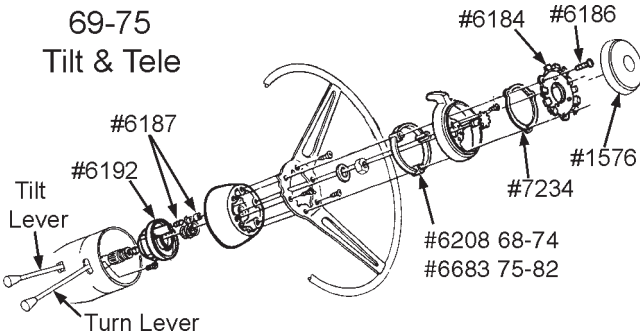
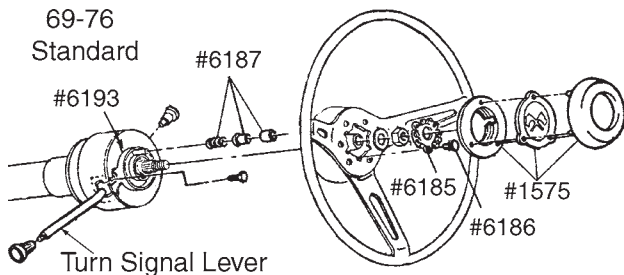
Turn Signal Levers & Hazard Buttons

| | | | |
|------|--------|---|-----------|
| 5489 | 68 | Turn Signal Lever | 18.50 ea |
| 5489 | 69 | Turn Signal Lever, exc. Tilt & Tele | 18.50 ea |
| 6194 | 69E | Turn Signal Lever, with Tilt & Tele | 18.95 ea |
| 6195 | 70-71 | Turn Signal Lever, exc. Tilt & Tele | 18.95 ea |
| 6196 | 69L-71 | Turn Signal Lever, with Tilt & Tele | 18.95 ea |
| 6197 | 72-74 | Turn Signal Lever, exc. Tilt & Tele | 18.95 ea |
| 6198 | 72-76 | Turn Signal Lever, with Tilt & Tele | 18.95 ea |
| 7324 | 75-76 | Turn Signal Lever, exc T & T | 17.50 ea |
| 7325 | 77 | Turn Signal Lever w/washer & dimmer (overall length 5 3/8" and has 2 pins) | 19.95 ea |
| 7343 | 77 | Turn Signal Lever w/washer & dimmer (overall length 6 3/4" and has 1 pin) | 16.95 ea |
| 7327 | 78-82 | Turn Signal Lever, with T & T, No Cruise .. | 17.50 ea |
| 7326 | 78-79E | Turn Signal Lever, with T & T and Cruise (79 Early lever has a 30 Degree bend) . | 109.00 ea |
| 7125 | 79L-80 | Turn Signal Lever, with Cruise (straight) . | 107.00 ea |
| 6199 | 69E | Tilt Wheel Release Lever | 15.95 ea |
| 6219 | 69L-71 | Tilt Wheel Release Lever | 15.95 ea |
| 6200 | 72-76 | Tilt Wheel Release Lever | 15.95 ea |
| 6269 | 68-71 | Traffic Hazard Button on Steering Column exc Tilt & Tele (71 Repl) | 19.00 ea |
| 6268 | 69-71 | Traffic Hazard Button on Steering Column with Tilt & Tele | 19.00 ea |
| 6267 | 72-77E | Traffic Hazard Flasher Knob | 4.50 ea |

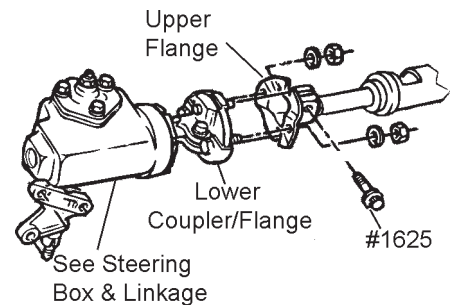
Steering Column (continued)



- 10176 68 Simulated Walnut Steering Wheel - reproduction of Original 269.95 ea
- 10177 68 Steering Wheel Hub for #10176 45.00 ea
- 6679 69-75 Steering Wheel - BLACK
This new reproduction steering wheel will give your Corvette the feel of a brand new car. 189.00 ea ND
- 5971__ 77-79 NEW Leather Steering Wheel - reproduction of Original (specify color) 199.95 ea LD
- 5972__ 80-82 NEW Leather Steering Wheel - reproduction of Original (specify color) 199.95 ea LD
- 5973 82 NEW Leather Steering Wheel - Collector's Edition 229.00 ea LD
- 8984 68-82 Steering Wheel Mounting Screws (except 76) (6 pcs) 2.50 set
- 6181 68-82 Steering Wheel Hub Nut & Washer 1.50 pr



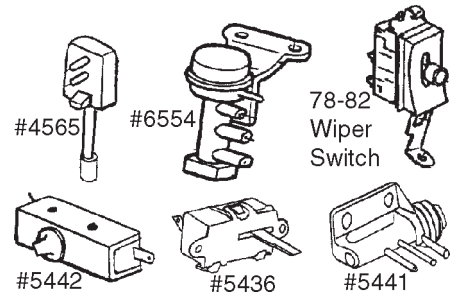
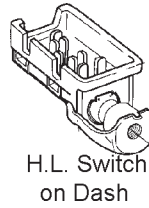
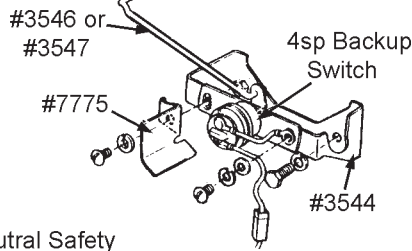
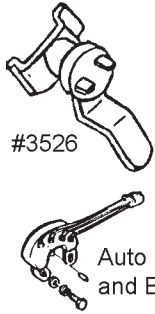
- 1575 68-75 Horn Button w/Emblem & Retainer (68 All, 69-75 exc T & T) 45.95 ea
- 1576 69-75 Horn Button w/Emblem & Retainer (for Tilt & Tele) 45.95 ea
- 6190 77-82 Horn Button w/Retainer Less Emblem for Tilt & Tele exc. Collector's Edition (must be painted and assembled). 28.50 ea
- 6238 76-80 Horn Button Emblem w/o Tilt & Tele 24.95 ea
- 6239 78 Horn Button Emblem w/Tilt & Tele 45.50 ea
- 6191 77-81 Horn Button Emblem (77 w/T & T and 79-81 w/T & T) 45.50 ea
- 6183 68 Tele Column Locking Ring - Black 51.95 ea
- 6154 68 Horn Contact/Stand Upper - except T & T 30.00 ea
- 6185 69-75 Horn Contact, exc. Tilt & Tele Wheel 21.00 ea
- 6184 68-82 Horn Contact w/Tilt & Tele. Wheel. 20.00 ea
- 7234 68-82 Horn Contact Shim w/Tilt & Tele (3 pcs) 7.00 set
- 6186 68-75 Horn Contact Mounting Screws (non-tele) ... 1.50 set
- 8860 68 Horn Contact Mounting Screws (tele) 1.75 set
- 8589 69-82 Horn Contact Mounting Screws (tele) 3.00 set
- 6187 68-82 Horn Contact Brush Spring Kit (Pin, Spring and Insulator) 5.50 ea
- 6166 76-82 Lower Horn Contact w/Spring with T & T ... 24.00 ea
- 7155 69-82 Telescopic Lock Rod Star Screw 23.00 ea
- 6208 68-74 Tele Horn Contact Spacer 22.00 ea
- 6683 75-82 Tele Horn Contact Spacer 21.00 ea
- 6229 70-82 Horn Contact Plastic Snap Ring Retainer - snaps into T & T column lock plate and covers hub attaching nut 11.00 ea
- 1583 68 Turn Signal Switch w/Harness 89.00 ea
- 1584 69-79 Turn Signal Switch (exc. Tilt & Tele) 47.50 ea
- 1585 69-76 Turn Signal Switch (with Tilt & Tele) 69.00 ea
- 6188 77-79E Turn Signal Switch (with Tilt & Tele) 33.50 ea
- 6189 79L-82 Turn Signal Switch (with Tilt & Tele) 22.50 ea
- 6247 68 Turn Signal Cancelling Cam (std) 26.95 ea
- 6241 68 Turn Signal Cancelling Cam (Tele) 26.95 ea
- 6192 69-82 Turn Signal Cancelling Cam (with Tilt and Tele Wheel) 29.50 ea
- 6193 69-76 Turn Signal Cancelling Cam Kit (exc. Tilt & Tele Wheel) 17.50 ea



- 1618 68 Upper Steering Column Spring 6.00 ea
- 1599 68 Upper Steering Column Bearing 35.00 ea
- 6161 68 Lower Steering Bearing (straight design) 35.00 ea
- 1614 68 Lower Steering Column Bearing Clamp 11.50 ea
- 1615 68 Lower Steering Column Bearing Spring 5.50 ea
- 6677 69-76 Upper Steering Column Spring - Non Tele .. 4.50 ea
- 6678 77-79 Upper Steering Column Spring - Non Tele 12.50 ea
- 6676 69-82 Upper Steering Column Spring w/T & T DISC
- 1602 69-82 Upper Steering Column Bearing with Tilt and Tele Wheel 17.95 ea
- 1601 69-82 Lower Steering Column Bearing - ALL 17.95 ea
- 6230 69-82 Steering Column Bearing in lower tube 27.95 ea
- 1622 68-82 Steering Column Shaft Upper Flange DISC
- 1623 68-69 Steering Coupler Lower w/Flange and Rag Joint (exc 69 w/Pwr Steering) 99.00 ea
- 6270 69-82 Steering Coupler Lower w/Flange and Rag Joint (69 with Pwr Steering, 70-82 All) 41.95 ea
- 1625 68-82 Bolt for Coupler or Flange to Shaft (12 point bolt) 10.00 ea

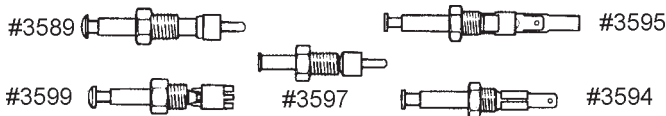
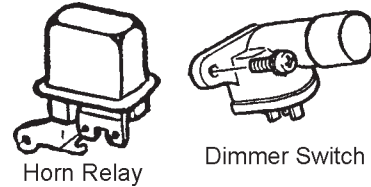
STEERING BOX - See STEERING Section In Suspension Pages

SWITCHES



| | | | |
|-------|--------|--|----------|
| 3526 | 68 | Brake Light Switch w/Lever..... | 59.95 ea |
| 3527 | 69-79 | Brake Light Switch exc. Cruise - Plastic | 9.00 ea |
| 6297 | 77-82 | Brake Light Switch (77-80 w/Cruise, 81-82 Auto & Cruise) | 16.00 ea |
| 6298 | 80-82 | Brake Light Switch (Auto w/o Cruise) | 14.00 ea |
| 3555 | 68-82 | Emergency Brake Light & Alarm Switch ... | 16.50 ea |
| 7773 | 68 | Auto Neutral Safety & Back-Up Light Switch | 63.00 ea |
| 7792 | 69-72 | Auto Neutral Safety & Back-Up Light Switch (72 w/o seat belt warning buzzer) | 63.00 ea |
| 7793 | 72-73 | Auto Neutral Safety & Back-Up Light Switch (72 with seat belt warning buzzer)..... | 63.00 ea |
| 7771 | 74-75 | Auto Neutral Safety & Back-Up Light Switch | 63.00 ea |
| 7767 | 76-82 | Auto Neutral Safety & Back-Up Light Switch | 63.00 ea |
| 7795 | 69-81 | 3 sp & 4sp Clutch Pedal Neutral Safety Switch | 65.00 ea |
| 3543 | 68-78 | Back-Up Light Switch All 4sp exc 78 L-48 .. | 56.00 ea |
| 7192 | 78 | Back-Up Light Switch, L-48 | 14.00 ea |
| 7193 | 78 | Back-Up Light Switch Harness L-48 | 19.00 ea |
| 6299 | 79-80E | Back-Up Light Switch - 4sp | 59.00 ea |
| 7195 | 80L-81 | Back-Up Light Switch - 4sp | 72.00 ea |
| 3544 | 68-74 | Bracket for Back-Up Switch w/Muncie 4sp | 12.50 ea |
| 3546 | 68-74 | Rod for Back-Up Light Switch 4sp | 7.50 ea |
| 7775 | 68-74 | Back-Up Light Switch Shield | 7.50 ea |
| 3547 | 75-81 | Rod for Back-Up Light Switch 4sp | 9.50 ea |
| 3548 | 68-81 | Screw for Mounting Switch to Bracket..... | 1.50 pr |
| 10185 | 68-71 | Temperature Sending Unit | 22.00 ea |
| 10186 | 72-78 | Temperature Sending Unit | 22.00 ea |

| | | | |
|------|-------|--|----------|
| 3515 | 68-77 | Headlight Switch on Dash | 49.95 ea |
| 7784 | 78-82 | Headlight Switch on Dash | 49.95 ea |
| 1945 | 68-82 | Headlight Door Warning Switch - at Headlight (2 req per car) | 23.00 ea |
| 6554 | 68-82 | Headlight or Wiper Door Actuator Vacuum Relay on Inner Fender (use 1 on 68-69 and 2 on 70-82 Headlight, also use 1 on 68-72 Wiper Door) | 54.95 ea |
| 4565 | 68-82 | Wiper or Headlight Manual Control Switch Under Dash (pull down on this switch and the wiper or headlight door(s) will stay in the open position) | 13.95 ea |
| 5436 | 68-76 | Wiper Switch on Upper Dash | 49.00 ea |
| 7805 | 77 | Wiper Switch, with T & T | 91.75 ea |
| 7787 | 78-79 | Wiper Switch, exc. Pulse | 93.00 ea |
| 7788 | 78-82 | Wiper Switch with Pulse | 40.00 ea |
| 7802 | 68-71 | Windshield Wiper Relay - 5 Terminals | 19.50 ea |
| 5443 | 68-72 | Knob - Wiper Switch.. .. | 6.00 ea |
| 5621 | 73-77 | Knob - Wiper Switch.. .. | 6.00 ea |
| 9922 | 78-82 | Knob - Wiper Switch | 8.25 ea |
| 5439 | 70-72 | Wiper Override Switch Under Dash | 18.50 ea |
| 5447 | 68-72 | Knob for Wiper Override Switch | 16.00 ea |
| 5441 | 69-72 | Vacuum Wiper Switch on Firewall (Valve) .. | 20.00 ea |
| 5442 | 68-72 | Micro Switch - Wiper Door on Firewall | 31.50 ea |



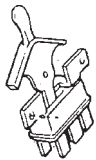
| | | | |
|------|-------|--|----------|
| 3589 | 68-74 | Door Jamb Courtesy Lamp & Key Warning Switch | 8.95 ea |
| 3595 | 75-78 | Left Door Jamb Courtesy Lamp w/two Circuits | 7.50 ea |
| 3599 | 79-82 | Left Door Jamb Courtesy Lamp | 16.00 ea |
| 3594 | 75-77 | Right Door Jamb Courtesy Lamp w/one Circuit | 7.00 ea |
| 3599 | 78 | Right Door Jamb Courtesy Lamp | 16.00 ea |
| 3596 | 79-82 | Right Door Jamb Courtesy Lamp | 7.50 ea |
| 3597 | 68-72 | Door Ajar Warning Lamp Switch | 10.95 ea |
| 3598 | 73-76 | Door Ajar Warning Lamp Switch | 4.50 ea |
| 3593 | 69-74 | Hood Ajar Warning Switch | 10.95 ea |
| 3598 | 75-82 | Hood Ajar Warning Switch | 4.50 ea |
| 7766 | 68-74 | Wire Terminals - use it to attach wire to part #3589, 3597 and 3593 (set of 6) | 7.00 set |
| 7734 | 70-72 | Bumper, Door Ajar Warning Switch | 4.50 pr |

| | | | |
|-------|-------|--|----------|
| 7780 | 68 | Ignition Switch w/Light Socket - NOS | 49.95 ea |
| 10378 | 68 | Ignition Switch - no light socket Replacement | 35.00 ea |
| 7781 | 69-82 | Ignition Switch w/Tilt & Tele Wheel | 16.95 ea |
| 7782 | 69-78 | Ignition Switch, exc. Tilt & Tele | 15.95 ea |
| 3522 | 68-76 | Dimmer Switch | 8.95 ea |
| 6293 | 77-78 | Dimmer Switch | 19.95 ea |
| 6294 | 79-82 | Dimmer Switch | 19.95 ea |
| 2975 | 68-80 | Anti-Theft Horn "C" Note - Repl | 35.00 ea |
| 2976 | 70-77 | Anti-Theft Alarm Lock w/Key (70-73 Rear Panel and 74-77 Side Fender) | 33.50 ea |
| 2977 | 70-77 | Retainer for Anti-Theft Switch Lock #2976 .. | 2.50 ea |
| 1945 | 70-77 | Theft Alarm Switch (70-73 Rear Panel and 74-77 Side Fender) | 23.00 ea |
| 5371 | 75-76 | Anti-Theft Alarm Switch Lock BRACKET | 4.50 ea |
| 3562 | 68-71 | Horn Relay w/Buzzer | 49.00 ea |
| 7785 | 72-73 | Horn Relay | 59.00 ea |
| 6295 | 74-78 | Horn Relay | 15.00 ea |
| 6296 | 79-82 | Horn Relay | 13.50 ea |

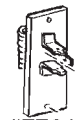
HORNS - See ENGINE Section (Electrical)

SWITCHES continued on Next Page

Switches (continued)



Blower Switch



#7764

| | | | |
|--|--------|--|----------|
| 7790 | 68-76 | Heater Blower Switch Non-Air | 20.00 ea |
| 7791 | 69-76 | Heater Blower Switch w/Air (6 Terminals) .. | 15.50 ea |
| 7765 | 77-82 | Heater & A/C Blower Control Switch | 16.00 ea |
| 7764 | 68-79 | Heater Blower Motor Resistor exc Air | 8.50 ea |
| 7800 | 72-82 | AC Blower Motor Resistor (top of AC box) | 16.50 ea |
| 7802 | 77-79 | AC Blower Motor Cutout Relay | 19.50 ea |
| 7804 | 81-82 | AC Hi Blower Motor Cutout Relay | 16.95 ea |
| 7284 | 68 | Heater/AC Blower Motor Cutout Relay | 22.25 ea |
| 7801 | 69-77 | Heater/AC Blower Motor Cutout Relay | 38.50 ea |
| 7803 | 79-82 | Heater/AC Hi-Blower Motor Cutout Relay .. | 19.00 ea |
| | | | |
| 3573 | 68-82 | Power Window Switch | 25.00 ea |
| 7231 | 68-82 | Power Window Switch Connector w/pigtail .. | 14.00 ea |
| 6693 | 68-74 | Power Window Circuit Breaker - Repl | 13.50 ea |
| 10044 | 77-78 | Power Window Circuit Breaker | 18.50 ea |
| 9499 | 78-82 | Power Door Lock Switch (says lock on bezel)GM - NOS..... | 65.00 ea |
| 10051 | 78-82 | Power Door Lock Actuator | 29.95 ea |
| 6310 | 78-82 | Courtesy Lamp Time Delay Relay Control | 61.50 ea |
| 80E 3 straight & 1 offset terminal 1"OL, 80L 4 straight in a row 1 1/2"OL | | | |
| 1583 | 68 | Turn Signal Switch - All..... | 89.00 ea |
| 1584 | 69-79 | Turn Signal Switch, exc. Tilt & Tele | 47.50 ea |
| 1585 | 69-76 | Turn Signal Switch w/Tilt & Tele | 69.00 ea |
| 6188 | 77-79E | Turn Signal Switch w/Tilt & Tele - Repl | 33.50 ea |
| 6189 | 79L-82 | Turn Signal Switch | 22.50 ea |
| 79 Early cars have a bent lever, 79 Late cars have a straight lever | | | |
| 3575 | 68 | Voltage Regulator - Delco Repl | 48.00 ea |
| 10097 | 68 | Voltage Regulator - Non Delco | 34.00 ea |
| 7806 | 69-82 | Voltage Regulator (internal) | 17.00 ea |
| 7802 | 70-72 | Systems Turn-On Relay - 5 Terminals | 19.50 ea |
| 7587 | 68 | Voltage Regulator Mtg. Kit | 6.50 kit |
| 7797 | 68-78 | Power Window Relay | 29.50 ea |

T-TOP & RELATED

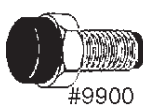
Glass T-Tops

| | | | |
|------|-------|--|----------------|
| 1013 | 68-82 | Glass T-Tops (Mirrored Glass - Gray Tint) All Glass Roof Panels | 1049.00 set ND |
|------|-------|--|----------------|

See Page 114 for Photo and complete description

T-Top Bags

| | | | |
|--------|-------|--|----------|
| 7020__ | 68-82 | T-Top Storage Bags w/soft lining and velcro fasteners. Colors available: Black Dark Red, Red, Gray, Dark Brown, Tan Oyster, Dark Blue | 39.95 pr |
|--------|-------|--|----------|



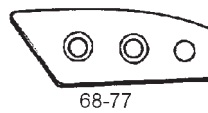
#9900



#2486

| | | | |
|------|-------|--|---------|
| 2486 | 68-82 | Top Latch Bolt w/Rubber Tip - rubber runs clear through (1/2" Head) | 4.00 ea |
| 9900 | 68-82 | Top Latch Bolt w/Rubber Tip - rubber runs clear through (3/8" Head) | 4.00 ea |
| 2483 | 68 | Front Guide Pin Bushing | 4.00 pr |
| 2487 | 69-82 | Front Guide Pin Bushing | 2.50 ea |

T-Top Hardware



68-77

#2046L Chrome
#2047R Chrome
#2014L S.S.
#2015R S.S.



79-82

#2050L
#2051R

T-Top Latch



#2466 Steel
#2477 S.S.

| | | | |
|-------|--------|--|-----------|
| 2046 | 68-77 | T-Top Rear Mounting Plate - Chrome as Original - Lt | 12.00 ea |
| 2047 | 68-77 | T-Top Rear Mounting Plate - Chrome as Original - Rt | 12.00 ea |
| 2014 | 68-77 | T-Top Rear Mounting Plate - Polished Stainless w/S.S. Screws - Lt | 10.50 ea |
| 2015 | 68-77 | T-Top Rear Mounting Plate - Polished Stainless w/S.S. Screws - Rt | 10.50 ea |
| 2466 | 68-77 | T-Top Rear Mtg. Screw - Triangle Head Chrome Plated Steel as Original | 6.00 ea |
| 2477 | 68-77 | T-Top Rear Mounting Screw - Triangle Head Stainless Steel | 8.00 ea |
| 8938 | 68-77 | T-Top Rear Mounting Plate Screws - Chromed Stainless Steel (will not rust) (4pcs) | 6.00 set |
| 10247 | 78 | T-Top Rear Mounting Plate w/Bushing Chrome - Lt | 20.00 ea |
| 10248 | 78 | T-Top Rear Mounting Plate w/Bushing Chrome - Rt | 20.00 ea |
| 2050 | 79-82 | T-Top Rear Mounting Plate w/Bushing Black - Lt | 20.00 ea |
| 2051 | 79-82 | T-Top Rear Mounting Plate w/Bushing Black - Rt | 20.00 ea |
| 8939 | 78-82 | T-Top Rear Mounting Plate Screws - Black (phillips head) (4) | 5.00 set |
| | | | |
| 10218 | 68L-76 | T-Top Latch - Lt Rear/Rt Front | 52.95 ea |
| 10219 | 68L-76 | T-Top Latch - Rt Rear/Lt Front | 52.95 ea |
| 10382 | 77 | Front T-Top Latch - Lt | 52.95 ea |
| 10383 | 77 | Front T-Top Latch - Rt | 52.95 ea |
| 10220 | 77 | Rear T-Top Latch - Lt | 52.95 ea |
| 10221 | 77 | Rear T-Top Latch - Rt | 52.95 ea |
| 7072 | 78-82 | Front T-Top Latch - Lt | 52.95 ea |
| 7073 | 78-82 | Front T-Top Latch - Rt | 52.95 ea |
| 10205 | 78-82 | T-Top Latch Cover - Lt | 11.95 ea |
| 10206 | 78-82 | T-Top Latch Cover - Rt | 11.95 ea |
| 10174 | 78-82 | T-Top Extension Pin | 5.00 ea |
| 10175 | 78-82 | T-Top Tongue Lock | 9.50 ea |
| 10204 | 78-82 | T-Top Lock Cover | 5.00 ea |
| 10199 | 78-82 | T-Top Repair Kit (8 weatherstrip screws, 4 latch cover screws, 4 lock(tongue) cover screws, 2 latch rod ends, 2 latch rod end bushings, 2 rear stud caps) | 25.00 kit |
| 10376 | 68-74 | T-Top Center Molding Mounting Kit | 11.50 kit |
| 10377 | 75-82 | T-Top Center Molding Mounting Kit | 11.50 kit |
| 7058 | 78-82 | Center Lock Shim (with Glass Roof).. | 1.50 ea |
| 6688 | 68-82 | T-Top Interior Hold Down Strap Hanger (footman loop) | 3.00 ea |
| 10100 | 68-77 | T-Top Carriers for Luggage Rack - for use with racks that have locator or alignment pins) | 149.95 ea |



#10204



#10175



#10205L
#10206R

WEATHERSTRIP - U.S. Made

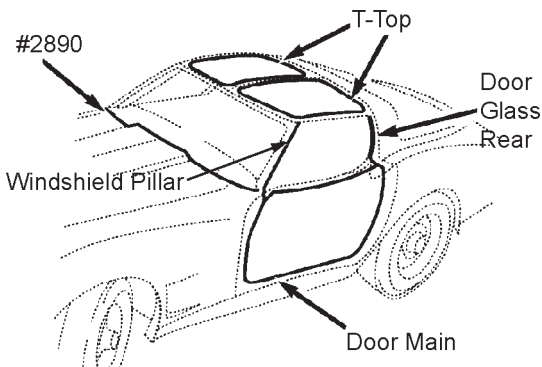
All weatherstrip Kits are 100% correct. The only exception - 68-69 Kits contain 70-77 T-Tops

COUPE Body Weatherstrip Kits

| | | | |
|------|-----------|--|------------|
| 2801 | 68 | Coupe Kit Includes: Doors, Windshield Pillars w/Attached Lower Hinge Pillar, 70-77 T-Tops, Correct Door Glass Rears, Hood, Adhesive and Screws | 349.00 kit |
| 2803 | 69E-69Mid | Coupe Kit Includes: Doors, Windshield Pillars w/Attached Lower Hinge Pillar, 70-77 T-Tops, Correct Door Glass Rears, Hood, Adhesive and Screws | 349.00 kit |
| 2807 | 69L-72 | Coupe Kit Includes: Doors, Windshield Pillars w/Attached Lower Hinge Pillar, 70-77 T-Tops, Correct Door Glass Rears, Hood, Adhesive and Screws | 299.00 kit |
| 2808 | 73-77E | Coupe Kit Includes: Doors, Windshield Pillars, 70-77E T-Tops, Correct Door Glass Rears, Hood, Adhesive and Screws | 249.00 kit |
| 2809 | 77L | Coupe Kit Includes: Door, Windshield Pillars, 77L-82 T-Tops, Correct Door Glass Rears, Hood, Adhesive and Screws | 249.00 kit |
| 2812 | 78-82 | Coupe Kit Includes: Doors, Windshield Pillar, 78-82 T-Tops, Correct Door Glass Rears, Hood, Adhesive and Screws | 259.00 kit |

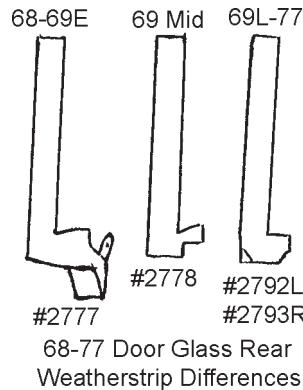
CONVERTIBLE Body Weatherstrip Kits

| | | | |
|------|-------|--|------------|
| 2802 | 68 | Conv Kit Includes: Doors, Windshield Pillars w/Lower Hinge Pillar, Deck Lid, Hood, Adhesive and Screws | 215.00 kit |
| 2804 | 69-72 | Conv Kit Includes: Doors, Windshield Pillars w/Lower Hinge Pillar, Deck Lid, Hood, Adhesive and Screws | 215.00 kit |
| 2811 | 73-75 | Conv Kit Includes: Doors, Windshield Pillars, Deck Lid, Hood, Adhesive and Screws | 159.00 kit |



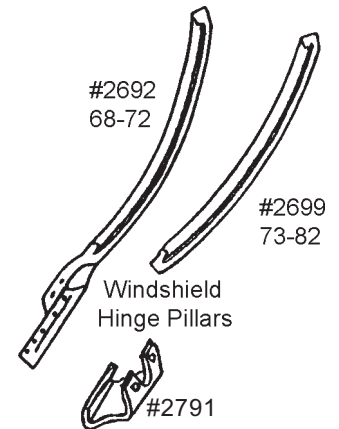
Door Main

| | | | |
|------|-------|---|----------|
| 2664 | 68 | Door Main (coupe or conv) - Lt | 41.50 ea |
| 2665 | 68 | Door Main (coupe or conv) -Rt | 41.50 ea |
| 2668 | 69-75 | Conv. Door Main - Lt | 39.00 ea |
| 2669 | 69-75 | Conv. Door Main - Rt | 39.00 ea |
| 2670 | 69-77 | Coupe Door Main - Lt | 39.00 ea |
| 2671 | 69-77 | Coupe Door Main - Rt | 39.00 ea |
| 2672 | 78-82 | Coupe Door Main - Lt | 39.00 ea |
| 2673 | 78-82 | Coupe Door Main - Rt | 39.00 ea |
| 8793 | 68-82 | Door Main W/Strip Screws (10 pcs) | 3.50 set |



Door Glass Rear

| | | | |
|------|--------|---------------------------------------|----------|
| 2777 | 68-69E | Coupe Door Glass Rear - Pair | 79.00 pr |
| 2778 | 69 Mid | Coupe Door Glass Rear - Pair | 79.00 pr |
| 2792 | 69L-77 | Coupe Door Glass Rear - Lt | 19.50 ea |
| 2793 | 69L-77 | Coupe Door Glass Rear - Rt | 19.50 ea |
| 2794 | 78-82 | Coupe Door Glass Rear (Lt & Rt) | 49.95 pr |



Windshield Pillar Post & Related

| | | | |
|------|-------|--|-------------|
| 2692 | 68-72 | Windshield Pillar Post w/Lower Hinge Pillar (Attached) | 99.95 pr |
| 2779 | 68-72 | Windshield Pillar Post W/Strip Screws (12) . | 4.00 set |
| 2694 | 73-82 | Windshield Pillar Post W/Strip - OEM | |
| | | while supplies last | 79.00 pr ND |
| 2699 | 73-82 | Windshield Pillar Post W/Strip - Repro (can be used to replace the upper section on a 68-72) | 49.95 pr |
| 2784 | 73-82 | Windshield Pillar Post W/Strip Screws (8) | 3.00 set |
| 2818 | 68-82 | Windshield Post Weatherstrip Outer Clip Rubber Coated | 8.50 pr |
| 2791 | 77-82 | Windshield Post W/Strip Retainer Inner Clip - Rubber Coated | 8.50 pr |
| 2841 | 73-82 | Windshield Lower Corner to Fender Filler Weatherstrip - Lt | 11.95 ea |
| 2842 | 73-82 | Windshield Lower Corner to Fender Filler Weatherstrip - Rt | 11.95 ea |

#2841 and #2842 are pictured on next page

T-Top

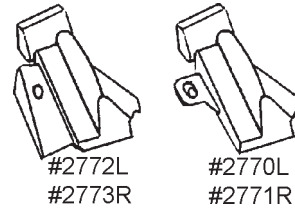
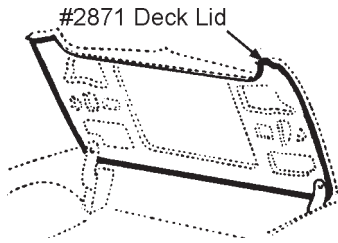
70-77E uses a separate retainer to attach w/strip to side of t-top panel with double latch over side door glass and has 19 fasteners
77L-82 has built-in metal retainer to attach side of w/strip to t-top panel with single latch and has 18 fasteners

| | | | |
|------|--------|--|--------------|
| 2796 | 69 | T-Top Weatherstrip (OEM-GM). LIMITED SUPPLY | 199.00 pr ND |
| 2774 | 70-77E | T-Top Panel W/Strips -Truly an exact reproduction of the original -PAIR | 129.00 pr |
| 2795 | 77L-82 | T-Top Panel W/Strip - Truly an excellent reproduction of the original - PAIR | 129.00 pr |
| 8794 | 70-77E | T-Top W/Strip Screws (8 pcs) | 3.50 set |
| 8795 | 77L-82 | T-Top W/Strip Screws (8 pcs) | 4.50 set |

Do you need 1968-1969 T-Top Weatherstrips?
1970-1977E T-Top Weatherstrip can be used on 1968-1969 Corvettes. You will need to acquire a pair of 1970-1977 outer weatherstrip retainers. Mount the retainers on your 1968-1969 T-Tops, use your new 1970-1977 weatherstrips as a template and drill additional 11/64" diameter holes to match. Or you can buy #2796 which is correct it is your choice.

See DOOR Section for Window Channels and Seals

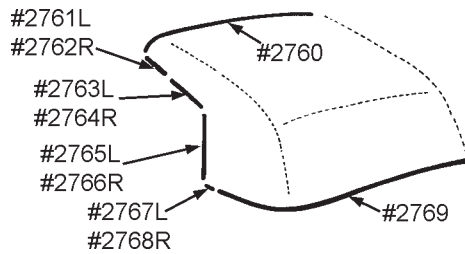
WEATHERSTRIP (continued)



Deck Lid & Hood

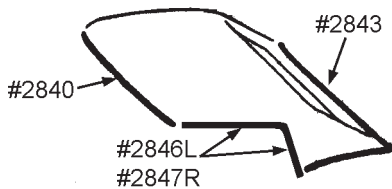
| | | | |
|------|-------|--------------------------------------|----------|
| 2871 | 68-75 | Convertible Deck Lid - CORRECT | 29.50 ea |
| 2890 | 68-82 | Hood Ledge | 8.50 ea |

(for location of #2890 see picture on previous page)



Convertible Top

| | | | |
|------|-------|--|------------|
| 2775 | 68-75 | Conv. Top Weatherstrip Kit (10 pcs) .. | 159.00 kit |
| 2760 | 68-75 | Front Bow | 57.00 ea |
| 2761 | 68-75 | Side Rail Front - Lt | 18.50 ea |
| 2762 | 68-75 | Side Rail Front - Rt | 18.50 ea |
| 2763 | 68-75 | Side Rail Center - Lt | 18.50 ea |
| 2764 | 68-75 | Side Rail Center - Rt | 18.50 ea |
| 2765 | 68-75 | Side Rail Rear Vertical - Lt | 24.50 ea |
| 2766 | 68-75 | Side Rail Rear Vertical - Rt | 24.50 ea |
| 2767 | 68-75 | Side Rear Lower Filler - Lt | 24.50 ea |
| 2768 | 68-75 | Side Rear Lower Filler - Rt | 24.50 ea |
| 2769 | 68-75 | Rear Bow | 21.00 ea |
| 2751 | 68-75 | Rear Bow Hold-In Cord | 6.00 ea |
| 2756 | 68-75 | Conv Top W/Strip Fastener Kit (50 pcs) ... | 12.00 kit |



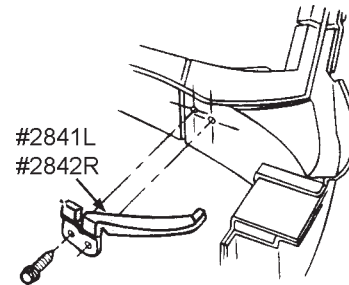
Hardtop

| | | | |
|------|-------|--|------------|
| 2848 | 68-75 | Hardtop Weatherstrip Kit (4 pcs) | 349.00 kit |
| 2840 | 68-75 | Front Header Bow | 75.75 ea |
| 2843 | 68-75 | Rear Bow | 93.25 ea |
| 2846 | 68-75 | Upper & Rear Weatherstrip - Lt | 99.00 ea |
| 2847 | 68-75 | Upper & Rear Weatherstrip - Rt | 99.00 ea |
| 2849 | 68-75 | Hardtop Weatherstrip Retainer w/Screw Fastener Set (12 Retainers w/screws) | 19.95 kit |

Conv. Body Lock Pillars

| | | | |
|------|--------|---|----------|
| 2772 | 68-69E | Conv. Body Lock Pillar - Lt | 24.00 ea |
| 2773 | 68-69E | Conv. Body Lock Pillar - Rt | 24.00 ea |
| 2770 | 69L-75 | Conv. Body Lock Pillar - Lt | 24.00 ea |
| 2771 | 69L-75 | Conv. Body Lock Pillar - Rt | 24.00 ea |
| 2776 | 69L-75 | Conv. Body Lock Pillar Wedges (Black Molded Plastic) | 21.00 pr |

(Early 69 is before Aug. 22, 1968)



Windshield, Rear Window and Hatch

| | | | |
|------|-------|---|-----------|
| 2841 | 73-82 | Windshield Lower Corner to Fender Filler Weatherstrip - Lt | 11.95 ea |
| 2842 | 73-82 | Windshield Lower Corner to Fender Filler Weatherstrip - Rt | 11.95 ea |
| 1265 | 68-72 | Coupe Removable Rear Window | 33.00 ea |
| 2797 | 82 | Rear Hatch Weatherstrip | 279.00 ea |

Miscellaneous

| | | | |
|------|-------|--|-----------|
| 1303 | 68-82 | Outer Splash Shield Seal | 8.50 pr |
| 2701 | 68-82 | Upper & Lower Inner Fender Seals (6 pcs) | 20.00 set |
| 1239 | ALL | 3M Weatherstrip Adhesive - Black | 7.95 ea |
| 1240 | ALL | 3M Weatherstrip Adhesive - Amber | 7.95 ea |

**ALL WEATHERSTRIPPING is
AMERICAN MADE -
We Don't Sell the
Inferior Foreign-Made
Weatherstripping**

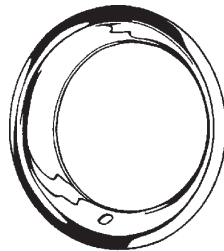
WHEELS & TRIM RINGS



#2532 Original



#9363 Replacement



Trim Ring

| | | | |
|-------------|--------------|--|----------------------|
| 2505 | 69-82 | Rally Wheel 15 x 8 | 89.00 ea ND |
| 2532 | 68-82 | Rally Wheel Center Cap - Original | 79.00 ea |
| 10523 | 68-82 | Rally Wheel Center Cap Set - Original set of 4 | 299.00 set |
| 10524 | 68-82 | Rally Wheel Center Cap Set - Metal Non-original (they have a bowtie - originals do not) | 199.00 set |
| 9363 | 68-82 | Rally Wheel Center Cap - Replacement Chrome ABS Plastic - does not say Chevrolet Motor Division (set of 4) | 79.95 set |
| 9894 | 68-82 | Ornament Mounting Screw for Rally Wheel Cap - special ball style head (4 pcs) | 5.00 set |
| 2533 | 68-82 | Rally Wheel Trim Ring S.S. 4 Clip - GM | 69.00 ea |
| 7290 | 68-82 | Rally Wheel Trim Ring S.S. - Repro Multi-Clip Style (set of 4) | 79.00 set |
| 7932 | 69-82 | Rally Wheel Trim Rings CORRECT OEM 4 Clip (set of 4) | 245.00 set ND |
| 9835 | 68-72 | Finned Hubcap Emblem Only (4 req.) | 22.95 ea |
| 2496 | 68-72 | Finned Wheel Cover Emblem Assembly .. | 53.50 ea |
| 2499 | 68-82 | Rally Wheel Paint - Aerosol | 7.95 ea |
| 2535 | 68-82 | Lug Nut - Standard Wheel | .75 ea |
| 4179 | 68-82 | Wheel Lug Stud Bolt | 1.50 ea |
| 9832 | 68-82 | Valve Stem Caps - correct raised Dill #627 (set of 5) | 2.95 set |



#6645



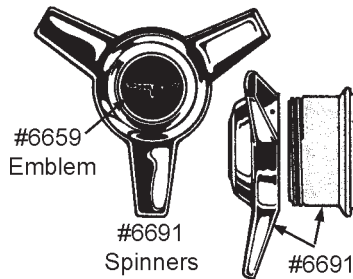
#6614



#6615

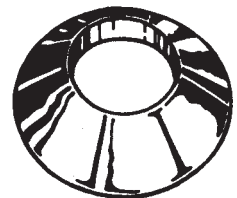
| | | | |
|------|-------|---|-----------|
| 6646 | 76-82 | Aluminum Wheel Replacement Cap Set, Metal Die-Cast polished and triple chrome plated & held on with set screws to prevent loss - does not include emblems(set of 4) | 64.95 set |
| 6634 | 76-82 | Alum Wheel Repl Metal Cap(#6646) Each .. | 22.00 ea |
| 6647 | 76-82 | 2" Diameter Replacement Emblems for Wheel Caps (set of 4) - specify year | 11.95 set |

CORRECT EMBLEMS - Listed in PREVIOUS COLUMN



#6659 Emblem

#6691 Spinners



#6690 Spinner Cones

| | | | |
|------|-------|--|-----------|
| 6691 | 76-82 | Aluminum Wheel Spinner Kit - Includes 4 Chrome Plated Spinners and Hardware (Kit does not include emblems) | 54.95 kit |
| 6690 | 76-82 | Aluminum Wheel Spinner Cones - Each Kit includes 4 Highly Polished Cones (fits #6691 Spinner Kit) | 54.95 kit |
| 6659 | 76-82 | 1 3/4" Emblems for #6691 Spinner Kit (Set of 4) -- specify year | 11.95 set |



#7030

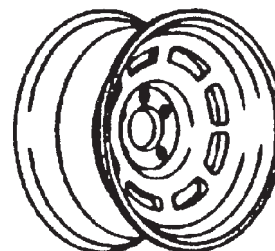


#6646 Replacement Die-Cast Metal Caps emblems sold separately

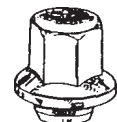


Original Plastic Center Caps - See Listings

| | | | |
|-------------|--------------|--|------------------|
| 2575 | 76-79 | Aluminum Wheel Center Cap Black w/Emblem (exc Pace Car) | 13.95 ea |
| 6650 | 78 | Alum Wheel Center Cap w/Emblem Pace Car Only | 13.95 ea |
| 2576 | 80-81 | Aluminum Wheel Center Cap Chrome w/Emblem | 13.95 ea |
| 9838 | 82 | Aluminum Wheel Center Cap Chrome w/Emblem | 13.95 ea |
| 6562 | 76-82 | Aluminum Wheel Center Caps (set of 4) Specify Year | 48.95 set |
| 7030 | 82 | Collector's Edition Center Cap | 119.00 ea |
| 6645 | 76-79 | 2" Diameter Correct Emblems for Wheel Caps (set of 4) | 23.95 set |
| 6614 | 80-81 | 2" Diameter Correct Emblems for Wheel Caps (set of 4) | 27.95 set |
| 6615 | 82 | 2" Diameter Correct Emblems for Wheel Caps (set of 4) | 27.95 set |
| 6647 | 76-82 | 2" Diameter Replacement Emblems for Wheel Caps (set of 4) - specify year | 12.00 set |



Aluminum Wheel

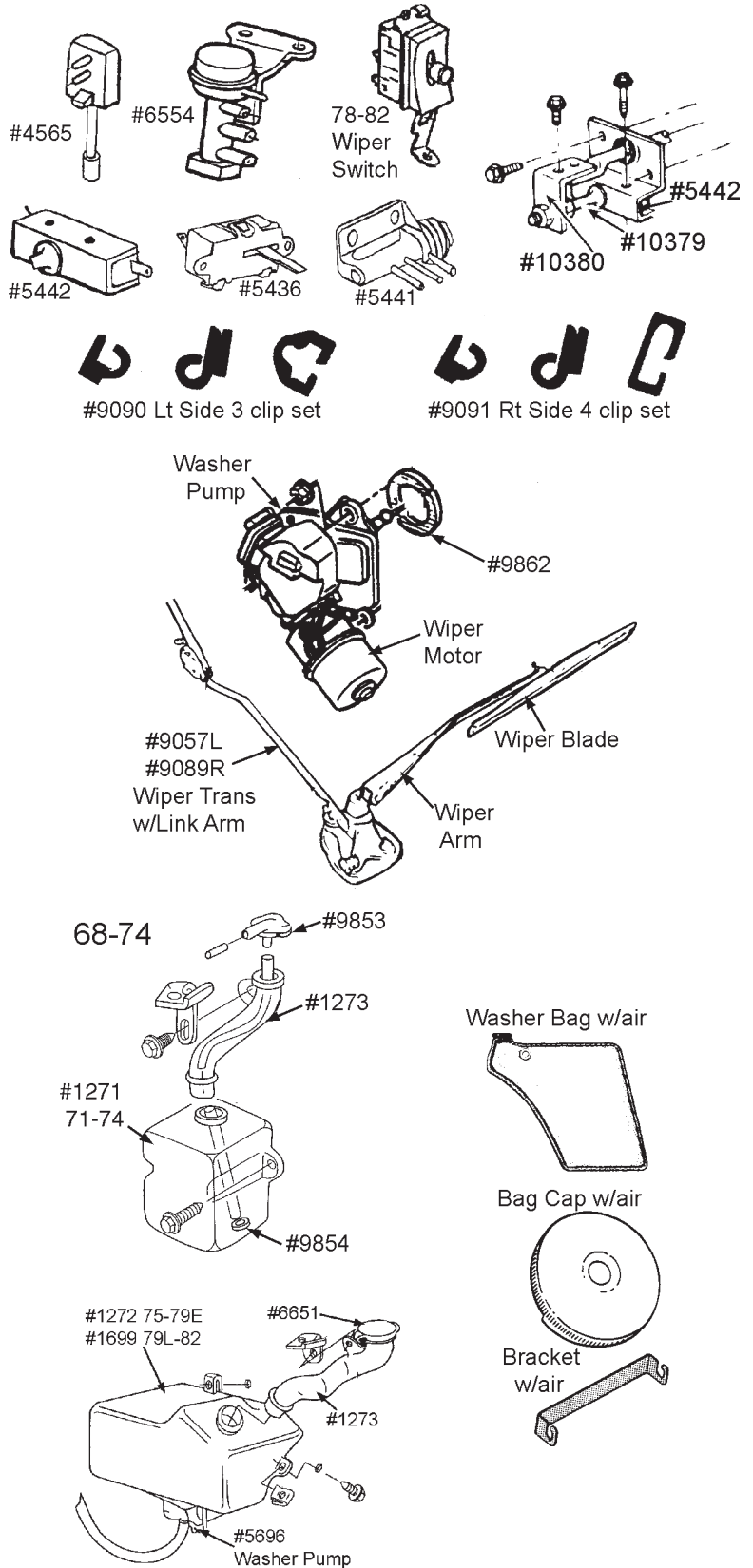


#2577 Lug Nut

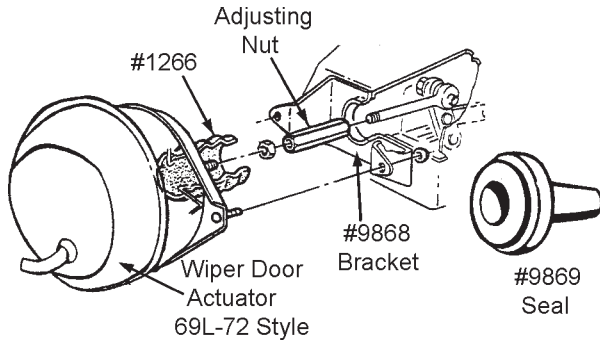
| | | | |
|------|-------|---|----------------|
| 9836 | 76-79 | Aluminum Wheels with Black Center - Repro (exc pace car).. (set of 4) | 949.00 set ND |
| 2554 | 78 | Aluminum Wheels Pace Car (set of 4) . | 1129.00 set ND |
| 9837 | 80-82 | Aluminum Wheels with Polished Center - Repro (set of 4) | 949.00 set ND |
| 9705 | 76-79 | Aluminum Wheel - Black Center | 319.00 ea LD |
| 9718 | 78 | Aluminum Wheel - Pace Car w/Red Stripe | 349.00 ea LD |
| 9757 | 80-82 | Aluminum Wheel - Polished Center | 319.00 ea LD |
| 2577 | 68-82 | Aluminum Wheel Chrome Lug Nut | 2.95 ea |
| 9839 | 68-82 | Aluminum Wheel Chrome Lug Nuts (20) | 49.00 set |
| 8904 | 68-82 | K.O. Wheel Lock Pins (5) | 5.50 set |

WINDSHIELD & WIPER PARTS

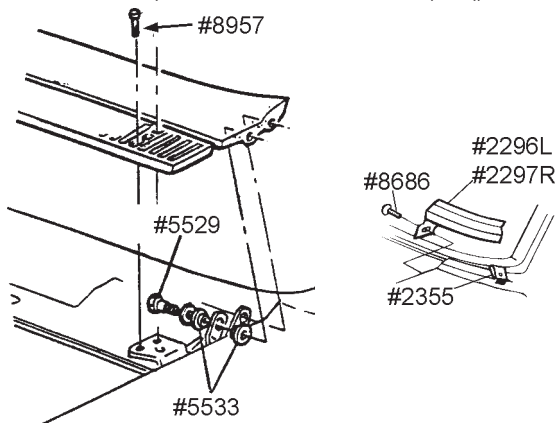
| | | | |
|--------------|--------------|---|------------------|
| 6554 | 68-72 | Wiper Door Actuator Relay - Solenoid Valve on Inner Fender | 54.95 ea |
| 4565 | 68-82 | Under Dash Manual Control Switch (pull down on this switch and the wiper door or headlamp door will stay open | 13.95 ea |
| 5441 | 69-72 | Vacuum Wiper Switch on Firewall (Valve) | 20.00 ea |
| 10243 | 69-72 | Wiper Door Vacuum Switch Bracket | 8.50 ea |
| 5436 | 68-76 | Wiper Switch on Upper Dash | 49.00 ea |
| 7805 | 77 | Wiper Switch with T & T | 91.75 ea |
| 7787 | 78-79 | Wiper Switch exc Pulse | 93.00 ea |
| 7788 | 78-82 | Wiper Switch with Pulse | 40.00 ea |
| 5442 | 68-72 | Wiper Door Limit Switch -on firewall | 31.50 ea |
| 10379 | 68-72 | Wiper Door Limit Switch Actuating Bolt | 13.50 ea |
| 10380 | 68-72 | Wiper Door Limit Switch Bolt BRACKET or ARM | 11.50 ea |
| 5443 | 68-72 | Knob for Wiper Switch | 6.00 ea |
| 5621 | 73-77 | Knob for Wiper Switch | 6.00 ea |
| 9922 | 78-82 | Knob for Wiper Switch | 8.25 ea |
| 5447 | 68-72 | Wiper Over Ride Switch Knob | 16.00 ea |
| 1941 | 68-82 | Vacuum Hose Check Valve FILTER | 5.25 ea |
| 1940 | 68-82 | Vacuum Hose Check VALVE | 14.95 ea |
| 3887 | 68-82 | HL & Wiper Vacuum Troubleshooting Guide | 9.95 ea ND |
| 1556 | 74-82 | Wiper Arms w/Hoses - NEW (68-73 repl) | 139.00 pr LD |
| 10057 | 68-73 | Wiper Arm Stop Bracket with Cushion | 8.00 kit |
| 1557 | 68-82 | Wiper Blade - Repl (silver satin finish) | 15.00 ea |
| 9687 | 69-73 | Windshield Washer Tube/Nozzle Brass with #9689 clips -Lt | 30.00 ea |
| 9688 | 69-73 | Windshield Washer Tube/Nozzle Brass with #9689 clips -Rt | 30.00 ea |
| 9689 | 69-73 | Hose Clip for holding hose to metal tube (1 per tube) | 3.00 pr |
| 9090 | 69-73 | Windshield Washer Nozzle (tube) Clips attach tube to arm (3 clips) - Lt | 14.00 set |
| 9091 | 69-73 | Windshield Washer Nozzle (tube) Clips attach tube to arm (4 clips) - Rt | 17.00 set |
| 9057 | 68-82 | Wiper Trans w/Link Arm - Lt (USED) | . DISC |
| 9089 | 68-82 | Wiper Trans w/Link Arm - Rt (USED) | 50.00 ea |
| 9862 | 68-75 | Wiper Motor to Firewall Seal | 3.00 ea |
| 1255 | 68 | Wiper Motor Rebuilt - Less Pump | 124.95 ea |
| 1312 | 69-72 | Wiper Motor Rebuilt - Less Pump | 124.95 ea |
| 1313 | 73 | Wiper Motor Rebuilt - Less Pump | 119.00 ea |
| 1315 | 74-82 | Wiper Motor Rebuilt - Less Pump | 119.00 ea |
| 1305 | 68-82 | Wiper Motor Rear Main Shaft End Cap | 7.50 ea |
| 10627 | 68-74 | Windshield Washer Pump Cover | 30.00 ea |
| 1311 | 68-73 | Washer Pump Assembly 3 Port. | 59.00 ea |
| 5696 | 75-82 | Washer Pump Assembly | 29.00 ea |
| 5342 | 68-74 | Washer Pump Repair Kit 3 port - WHITE | 14.00 kit |
| 10109 | 63-70 | Washer Bottle, Cap, Hose and Filter | 11.95 kit |
| 1242 | 68-70 | Washer Bottle, exc. Air (68-69 Repl) | 7.50 ea |
| 6658 | 68-69 | Washer Bottle, exc Air (Correct Black) | 22.00 ea |
| 9853 | 68-74 | Washer Bottle Cap (68-72 no air, 73-74 all) | 5.00 ea |
| 9860 | 68-70 | Washer Bottle Bracket - no air | 9.00 ea |
| 6652 | 68 | Washer Bag, Cap and Hose w/Air | 57.95 ea |
| 6653 | 69-72 | Washer Bag, Cap and Hose w/Air | 57.95 ea |
| 9855 | 68-72 | Washer Bag Cap | 3.50 ea |
| 6648 | 68 | Bracket for Washer Bag w/Air | 23.50 ea |
| 6649 | 69-72 | Bracket for Washer Bag w/Air | 19.95 ea |
| 1271 | 71-74 | Washer Bottle (has 2 holes for mounting) | 23.50 ea |
| 1272 | 75-79E | Washer Bottle, 5" Square | . DISC |
| 1699 | 79L-82 | Washer Bottle, 8" Square | . DISC |
| 1273 | 72-82 | Washer Bottle Fill Extension | 8.50 ea |
| 9854 | 68-74 | Washer Fluid Pick-Up Filter | 3.00 ea |
| 6651 | 75-82 | Washer Bottle Cap | 7.95 ea |
| 6276 | 68 | Washer Hose Set No Air | 13.75 set |
| 6277 | 68 | Washer Hose Set w/Air | 13.75 set |
| 6278 | 69 | Washer Hose Set No Air | 13.75 set |
| 6279 | 70 | Washer Hose Set No Air | 13.75 set |
| 6284 | 71-72 | Washer Hose Set No Air | 13.75 set |
| 6363 | 69-72 | Washer Hose Set w/Air | 13.75 set |
| 6364 | 73-74 | Washer Hose Set | 13.75 set |
| 6365 | 75-76 | Washer Hose Set | 13.75 set |
| 6366 | 77-82 | Washer Hose Set | 13.75 set |



WINDSHIELD & WIPER PARTS (cont.)



| | | | |
|---|---------|--|-----------|
| 9892 | 68 | Wiper Door Vacuum Canister - NEW for 1/4" shaft (with #9694 Adjusting Nut) | 174.95 ea |
| 9893 | 69E | Wiper Door Vacuum Canister - NEW 5/16" shaft | 159.95 ea |
| 9866 | 69L-71E | Wiper Door Actuator (Dual Pie Pan Shape) with Straight Tube | 99.95 ea |
| 9867 | 71L-72 | Wiper Door Actuator (Oval Pie Pan Shape) with Curved Tube | 99.95 ea |
| (Above Actuator will work on 68-69 Corvettes as Replacement - when used with the following bracket) | | | |
| 9868 | 69L-72 | Wiper Door Actuator Bracket | 16.00 ea |
| 1266 | 68-72 | Wiper Door Actuator Rod Boot - GM Repl | 11.00 ea |
| 9869 | 69L-72 | Wiper Actuator Rod Seal (Correct) | 12.95 ea |
| 9891 | 69L-72 | Wiper Actuator End Plug | 6.95 ea |
| 9870 | 68-69 | Wiper Actuator Pivot Bolt (2 req) | 4.00 ea |
| 9861 | 68E | Adjusting Nut - Wiper Door Actuator | 13.00 ea |
| 9694 | 68L-69E | Adjusting Nut - Wiper Door Actuator (this adjusting nut adapts a 1/4" door link to a 5/16" actuator) | 17.00 ea |
| 5534 | 69L-72 | Adjusting Nut - Wiper Door Actuator | 11.00 ea |
| 9103 | 68-72 | Wiper Door Control Reinforcement (3 req) | 4.50 ea |



| | | | |
|-------|-------|--|-----------|
| 10539 | 68-72 | Wiper Door Stainless Trim.....Coming Soon | |
| 5529 | 68-72 | Bolt - Wiper Door Linkage (4 req.) | 4.00 ea |
| 5533 | 68-72 | Bushing - Wiper Door Linkage (8 req.) | 1.00 ea |
| 9102 | 68-72 | Wiper Door Bumpers (Stop) w/Screws | 7.00 set |
| 8957 | 68-72 | Wiper Door Grill Screws (8) | 4.00 set |
| 2296 | 68-72 | Lower Outer Windshield Moldings on Fender Lt and Rt | 45.00 pr |
| 2355 | 68-72 | Lower Outer Windshield Molding Clips on Fender (4 req) | 1.25 ea |
| 2356 | 68-72 | Lower Windshield Molding on Wiper Door Clips (5 pcs) | 13.50 set |
| 8686 | 68-72 | Outer & Center Windshield Molding on Fender Screws (4 pcs) | 2.00 set |
| 9105 | 73-82 | Wiper Compartment Cover - See Accessory Section | |

WINDSHIELD FRAME - See Exterior Trim Section

WIRING HARNESSES

Main Dash Harness

| | | | |
|------|-------|---|-----------|
| 3427 | 68 | Main Dash - All | 479.00 ea |
| 3428 | 69 | Main Dash w/o Air | 479.00 ea |
| 6915 | 69 | Main Dash w/Air | 479.00 ea |
| 6916 | 70 | Main Dash w/o Air | 479.00 ea |
| 6917 | 70 | Main Dash w/Air | 479.00 ea |
| 6918 | 71 | Main Dash w/o Air | 479.00 ea |
| 6963 | 71 | Main Dash w/Air | 479.00 ea |
| 6919 | 72 | Main Dash w/o Air | 479.00 ea |
| 6920 | 72 | Main Dash w/Air | 479.00 ea |
| 6921 | 73 | Main Dash w/o Air | 499.00 ea |
| 6922 | 73 | Main Dash w/Air | 499.00 ea |
| 6923 | 74 | Main Dash w/o Air | 499.00 ea |
| 6924 | 74 | Main Dash w/Air | 499.00 ea |
| 6925 | 75 | Main Dash - Auto Trans -Specify with or without Seat Belt Interlock System | 499.00 ea |
| 6926 | 75 | Main Dash - Manual Trans - Specify with or without Seat Belt Interlock System | 499.00 ea |
| 6961 | 76 | Main Dash - Auto Trans. | 499.00 ea |
| 6962 | 76 | Main Dash - Manual | 499.00 ea |
| 6661 | 77E | Main Dash - Manual, 1st Design (alarm switch located in fender) | 524.00 ea |
| 5248 | 77E | Main Dash - Auto, 1st Design (alarm switch located in fender) | 524.00 ea |
| 5249 | 77L | Main Dash - Auto or Manual, 2nd Design (alarm switch located in door) | 524.00 ea |
| 5250 | 78-80 | Main Dash Harnesses are available Call for information - Too many to list .. | 879.00 ea |

Headlight & Fiberoptics

| | | | |
|-------|---------|--|-----------|
| 6907 | 68-71 | Front Fiberoptic Sub-Assembly | 182.00 ea |
| 6903 | 68 | Headlight & Ammeter w/Fiberoptic | 299.00 ea |
| 6904 | 69 | Headlight & Ammeter w/Fiberoptic | 299.00 ea |
| 6905* | 70 | Headlight & Ammeter w/Fiberoptic | 299.00 ea |
| 6906* | 71 | Headlight & Ammeter w/Fiberoptic | 299.00 ea |
| 6908* | 72 | Headlight & Forward Lamp | 236.00 ea |
| 5242 | 73 | Headlight & Forward Lamp | 236.00 ea |
| 6910* | 74 | Headlight & Forward Lamp | 236.00 ea |
| 6911* | 75 | Headlight & Forward Lamp | 236.00 ea |
| 5243* | 76 | Headlight & Forward Lamp | 236.00 ea |
| 7110* | 77E | Headlight & Forward Lamp (1st Design alarm switch located in fender) | 236.00 ea |
| 7111* | 77L-78E | Headlight & Forward Lamp (2nd Design 77 L with alarm switch in door and 78E with black molded rubber connector on brake pressure warning switch) | 236.00 ea |
| 7113* | 78L-79 | Headlight & Forward Lamp (78 2nd Design has cream colored plastic connector on brake pressure warning switch and 79 ALL) | 236.00 ea |
| 5244 | 80 | Headlight & Forward Lamp - specify with or without stereo tape player | 284.00 ea |
| 5245 | 81 | Headlight & Forward Lamp - specify with or without stereo tape player | 284.00 ea |
| 5246 | 82 | Headlight & Forward Lamp - specify with or without stereo tape player | 284.00 ea |

*NOTE: You may also need to purchase front parking/turn signal lamp extensions for 1970 -1979 Corvettes

WIRE HARNESS DISCOUNT OFFER - 10% DISCOUNT off the Purchase of \$500.00 worth of wiring harnesses for one particular year of Corvette. One single order - No Accumulations.



Wiring Harnesses (cont)

Front Parking Lamp/Turn Signal Extensions

Includes Wiring and Sockets

| | | | |
|------|--------|--|----------|
| 6953 | 70-77E | Front Parking Lamp Extensions (77 with alarm switch in fender) | 45.00 pr |
| 6959 | 77L-78 | Front Parking Lamp Extensions (77 with alarm switch in door) | 45.00 pr |
| 5226 | 79 | Front Parking Lamp Extensions | 45.00 pr |

Ignition/Engine Harness

| | | | |
|------|-------|---|-----------|
| 3475 | 68 | Ignition - All | 199.00 ea |
| 3449 | 69 | Ignition - All | 199.00 ea |
| 6931 | 70 | Ignition w/Auto | 199.00 ea |
| 3450 | 70 | Ignition w/Manual | 199.00 ea |
| 6932 | 71 | Ignition w/Auto | 199.00 ea |
| 6933 | 71 | Ignition w/Manual | 199.00 ea |
| 3451 | 72 | Ignition, Small Block w/Manual | 199.00 ea |
| 3452 | 72 | Ignition, Small Block w/Auto | 199.00 ea |
| 3453 | 72 | Ignition, Big Block w/Manual | 199.00 ea |
| 3454 | 72 | Ignition, Big Block w/Auto | 199.00 ea |
| 3455 | 73 | Ignition, Small Block w/Manual | 199.00 ea |
| 3456 | 73 | Ignition, Small Block w/Auto | 199.00 ea |
| 3457 | 73 | Ignition, Big Block w/Manual | 199.00 ea |
| 3458 | 73 | Ignition, Big Block w/Auto | 199.00 ea |
| 3459 | 74 | Ignition, Small Block w/Manual | 199.00 ea |
| 3467 | 74 | Ignition, Small Block w/Auto | 199.00 ea |
| 3468 | 74 | Ignition, Big Block w/Manual | 199.00 ea |
| 3469 | 74 | Ignition, Big Block w/Auto | 199.00 ea |
| 6936 | 75 | Ignition - Auto Trans - Specify with or without Ignition Interlock System | 199.00 ea |
| 6937 | 75 | Ignition - Manual Trans - Specify with or without Ignition Interlock System | 199.00 ea |
| 6940 | 76 | Ignition - Auto | 199.00 ea |
| 5231 | 76 | Ignition - Manual | 199.00 ea |
| 7126 | 77E | Ignition Harness -Manual, 1st Design (alarm switch in fender)..... | 199.00 ea |
| 5232 | 77E | Ignition Harness - Auto, 1st Design (alarm switch in fender)..... | 199.00 ea |
| 5233 | 77L | Ignition Harness - Auto or Manual, 2nd Design (alarm switch in door)..... | 199.00 ea |
| 7128 | 78 | Ignition Harness | 199.00 ea |
| 7129 | 79 | Ignition Harness | 199.00 ea |
| 5234 | 80 | Ignition Harness - all with locking torque converter auto trans | 236.00 ea |
| 5235 | 80 | Ignition Harness - all without locking torque converter auto trans | 236.00 ea |
| 5236 | 81 | Ignition - Auto | 236.00 ea |
| 5237 | 81 | Ignition - Manual | 236.00 ea |
| 5240 | 82 | Ignition - All | 236.00 ea |
| 7098 | 76-up | Starter Motor Harnesses - Call for Info .. | 282.00 ea |

Transistorized Harnesses

| | | | |
|------|--------|---|-----------|
| 7095 | 68E | Transistorized Ignition Auxiliary Harness w/conversion kit | 104.00 ea |
| 7096 | 68L-71 | Transistorized Ignition Auxiliary Harness w/conversion kit | 104.00 ea |
| 5157 | 68-71 | T.I. Conversion Kit - includes terminals, connectors and instructions as used by the factory to install T.I. | 9.00 kit |
| 7097 | 68-71 | Transistorized Ignition Extension (from ignition switch to T.I. auxiliary harness) .. | 15.00 ea |
| 6324 | 68E | T.I. Amplifier Box Extension Harness w/Retainer (for 68 E amplifier box without integral external harness) | 36.00 ea |
| 7061 | 68L-71 | T.I. Amplifier Box Extension Harness w/Retainer (for 68L amplifier box with integral external harness | 47.00 ea |

Rear Harness

| | | | |
|------|-------|---|-----------|
| 6986 | 68-69 | Rear Fiberoptics Sub-Assembly Only | 138.00 ea |
| 6987 | 70-71 | Rear Fiberoptics Sub Assembly Only | 138.00 ea |
| 6965 | 68 | Rear w/Fiberoptics | 260.00 ea |
| 6966 | 69 | Rear w/Fiberoptics | 260.00 ea |
| 6967 | 70-71 | Rear w/Fiberoptics (71 exc. Anti-Theft) .. | 260.00 ea |
| 6968 | 71 | Rear w/Fiberoptics (with Anti-Theft) | 260.00 ea |
| 6970 | 72 | Rear | 238.00 ea |
| 6971 | 73 | Rear | 238.00 ea |
| 6972 | 74 | Rear | 284.00 ea |
| 5227 | 75 | Rear (75 with seat belt interlock system) | 284.00 ea |
| 6974 | 75-76 | Rear (75 without seat belt interlock system) | 284.00 ea |
| 5228 | 77E | Rear (alarm switch in fender) | 284.00 ea |
| 5229 | 77L | Rear (alarm switch in door) | 284.00 ea |
| 7000 | 78-82 | Rear - Call for Information -too many to list | 308.00 ea |

Air Conditioning Harness - include Heater Wiring

| | | | |
|------|-------|--|-----------|
| 6943 | 68 | Air Conditioning | 127.00 ea |
| 6951 | 69-70 | Air Cond. | 127.00 ea |
| 6944 | 71 | Air Cond. | 127.00 ea |
| 6945 | 72-73 | Air Cond. | 145.00 ea |
| 6946 | 74 | Air Cond. | 164.00 ea |
| 6950 | 75 | Air Cond. | 164.00 ea |
| 6952 | 76 | Air Cond. | 164.00 ea |
| 6973 | 77-79 | Air Cond - Specify Year, location of alarm switch, L-48 or L-82 and with or without auxiliary radiator cooling fan | 155.00 ea |

Alarm System Harness

| | | | |
|-------|-------|---|----------|
| 6680 | 68 | Alarm System Harness | 91.00 ea |
| 6681 | 69-70 | Alarm System Harness | 91.00 ea |
| 6682 | 71-73 | Alarm System Harness | 36.00 ea |
| 5241 | 77-78 | Alarm System Harness - w/o pwr windows, (77 alarm in door, 78 courtesy lamp timer left of steering column)..... | 23.00 ea |
| 10510 | 78 | Alarm System Harness - w/o pwr windows, courtesy lamp timer right of glove box .. | 23.00 ea |
| 10511 | 81 | Alarm System Harness - all | 23.00 ea |

Power Window Harness

| | | | |
|-------|---------|---|-----------|
| 6978 | 68 | PowerWindow | 157.00 ea |
| 6979 | 69 | PowerWindow | 157.00 ea |
| 6980 | 70-71 | PowerWindow | 157.00 ea |
| 7201 | 72-74 | PowerWindow | 157.00 ea |
| 6982 | 75 | PowerWindow | 157.00 ea |
| 7200 | 76 | Power Window (need build date of car) ... | 157.00 ea |
| 6990 | 77E | Power Window (1st Design with alarm switch in fender) | 157.00 ea |
| 5200 | 77L-78E | Power Window (77L with alarm switch in door) (78 with courtesy lamp timer to left of steering column) | 157.00 ea |
| 5201 | 78L | Power Window (78 with courtesy lamp timer to right of steering column) | 157.00 ea |
| 5208 | 79-80 | Power Window Harness w/o Pwr Locks-Lt | 62.00 ea |
| 5209 | 79-80 | Power Window Harness w/o Pwr Locks-Rt | 62.00 ea |
| 10508 | 81-82 | Power Window Harness - Lt | 62.00 ea |
| 10509 | 81-82 | Power Window Harness - Rt | 62.00 ea |
| 7231 | 68-82 | Power Window Switch Connector (includes pigtail) | 14.00 ea |

WIRE HARNESS DISCOUNT OFFER -10% DISCOUNT
off the Purchase of \$500.00 worth of wiring harnesses
for one particular year of Corvette. One single order -
No Accumulations.

Wiring Harnesses (cont)



#6666L & #6667R

Power Door Lock Harness

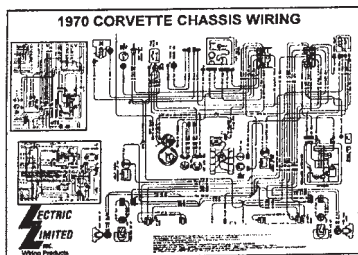
| | | | |
|------|-------|--|----------|
| 6666 | 79-82 | Power Door Lock Switch <u>Repair</u> Harness w/pigtail - Lt | 12.00 ea |
| 6667 | 79-82 | Power Door Lock Switch <u>Repair</u> Harness w/pigtail - Rt | 12.00 ea |
| 5210 | 78-82 | Power Door Lock Harnesses are available - Call for information - too many to list | 85.00 ea |

Seat Belt Warning Harnesses

| | | | |
|------|-------|---|----------|
| 5222 | 69-71 | Seat Belt Warning Extension Wire (fuel gauge to warning lamp) | 11.00 ea |
| 5223 | 72 | Seat Belt Warning Harness 4sp w/buzzer .. | 45.00 ea |
| 5224 | 73 | Seat Belt Warning Harness - Manual | 45.00 ea |
| 6695 | 74 | Seat Belt Warning Harness - Manual | 55.00 ea |

Miscellaneous Harnesses

| | | | |
|------|-------|--|----------|
| 6949 | 68-69 | Speed Warning Harness | 18.00 ea |
| 6696 | 68-69 | Kick Down Harness (Auto) | 28.00 ea |
| 6697 | 69-76 | Neutral Safety Switch to Dash Harness Leads (Manual) | 16.00 ea |
| 5131 | 73-75 | Hood Scoop Air Door Harness | 18.00 ea |
| 3485 | 68-73 | Tail Lamp Connector w/Pigtail | 11.00 ea |
| 6935 | 69-73 | Back-Up Lamp Connector w/Pigtail | 11.00 ea |
| 7196 | 71-75 | Console Shift Plate Indicator Lamp - all automatic Trans | 11.00 ea |

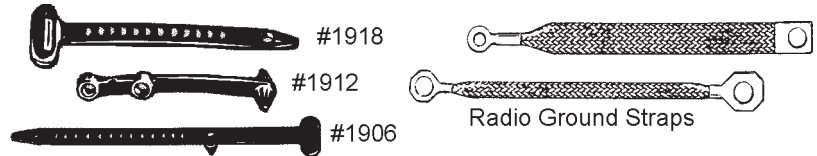


Wiring Diagrams

A complete schematic of each car. Highly recommended for anyone who is doing their own wiring

| | | | |
|------|----|--|----------|
| 3482 | 68 | Wire Diagram 18" x 22" Laminated | 13.00 ea |
| 3483 | 69 | Wire Diagram 18" x 22" Laminated | 13.00 ea |
| 3484 | 70 | Wire Diagram 18" x 22" Laminated | 13.00 ea |
| 7202 | 71 | Wire Diagram 18" x 22" Laminated | 13.00 ea |
| 3493 | 72 | Wire Diagram 18" x 22" Laminated | 13.00 ea |
| 7100 | 73 | Wire Diagram 18" x 22" Laminated | 13.00 ea |
| 7101 | 74 | Wire Diagram 18" x 22" Laminated | 13.00 ea |
| 7102 | 75 | Wire Diagram 18" x 22" Laminated | 13.00 ea |
| 7103 | 76 | Wire Diagram 18" x 22" Laminated | 13.00 ea |
| 7104 | 77 | Wire Diagram 18" x 22" Laminated | 13.00 ea |
| 7105 | 78 | Wire Diagram 18" x 22" Laminated | 13.00 ea |
| 7106 | 79 | Wire Diagram 18" x 22" Laminated | 13.00 ea |
| 7107 | 80 | Wire Diagram 18" x 22" Laminated | 13.00 ea |
| 7108 | 81 | Wire Diagram 18" x 22" Laminated | 13.00 ea |
| 7109 | 82 | Wire Diagram 18" x 22" Laminated | 13.00 ea |

WIRE HARNESS DISCOUNT OFFER - 10% DISCOUNT off the Purchase of \$500.00 worth of wiring harnesses for one particular year of Corvette. One single order - No Accumulations.



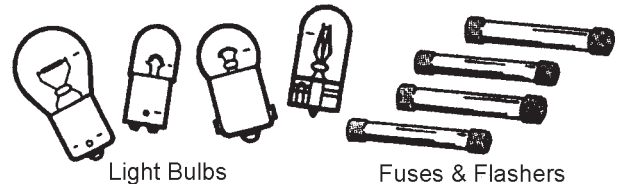
#1918
#1912
#1906

Radio Ground Straps

Radio Ground Strap Kits - See Page 192

Wiring Related

| | | | |
|------|-------|--|---------|
| 3499 | 68-82 | Wiring Harness Tape - Roll (nonstick) | 8.00 ea |
| 7613 | 68-69 | Temperature Wire Insulation - Correct Size .. | 2.50 ea |
| 1132 | 70-82 | Temperature Wire Insulation | 3.00 ea |
| 2079 | 68-73 | Tail/Stop or Back-Up Lamp Accordion Boot .. | 9.50 ea |
| 6668 | 68-82 | Alt. Wiring Harness Boot on Back of Alternator | 3.50 ea |
| 1918 | 65-74 | Black 5" Tie Strap | 1.50 ea |
| 1906 | 68-82 | Black 7" Tie Strap | 1.50 ea |
| 1912 | 68-73 | 3 3/4" Push-In Style Strap | 1.50 ea |



Light Bulbs

Fuses & Flashers

Fuse / Flasher Kits

Kits include all the fuses and the flasher(s) required for an initial installation, along with a spare of all fuse sizes, an extra flasher, and a fuse removal tool is also included.

| | | | |
|------|-------|---------------------------------|-----------|
| 6638 | 68-69 | Fuse/Flasher Kit (20 pcs) | 20.00 kit |
| 5133 | 70 | Fuse/Flasher Kit (20 pcs) | 20.00 kit |
| 6639 | 71-73 | Fuse/Flasher Kit (20 pcs) | 20.00 kit |
| 6640 | 74 | Fuse/Flasher Kit (22 pcs) | 21.00 kit |
| 5151 | 75-77 | Fuse/Flasher Kit (20 pcs) | 20.00 kit |
| 5152 | 78 | Fuse/Flasher Kit (16 pcs) | 18.00 kit |
| 5153 | 79 | Fuse/Flasher Kit (18 pcs) | 26.00 kit |
| 5154 | 80 | Fuse/Flasher Kit (20 pcs) | 26.00 kit |
| 5155 | 81 | Fuse/Flasher Kit (22 pcs) | 26.00 kit |
| 5156 | 82 | Fuse/Flasher Kit (27 pcs) | 26.00 kit |

Light Bulb Kits

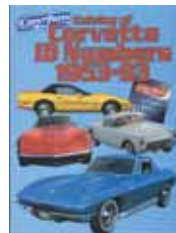
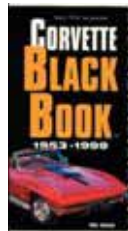
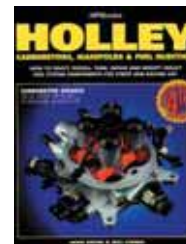
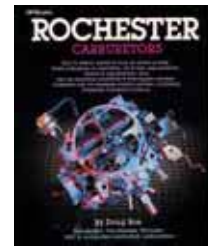
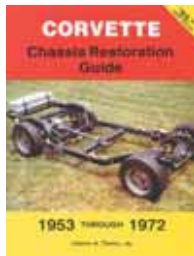
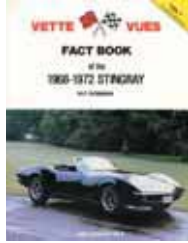
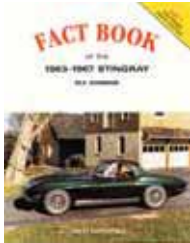
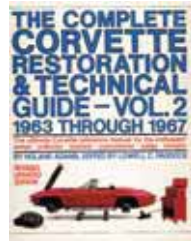
These sets replace all interior and exterior light bulbs (except headlights) and include instructions on the location of each bulb.

| | | | |
|-------|-------|-------------------------------|-----------|
| 6669 | 68 | Light Bulb Kit (42 pcs) | 30.00 kit |
| 6670 | 69 | Light Bulb Kit (39 pcs) | 30.00 kit |
| 6671 | 70 | Light Bulb Kit (39 pcs) | 30.00 kit |
| 6672 | 71 | Light Bulb Kit (40 pcs) | 30.00 kit |
| 6673 | 72-73 | Light Bulb Kit (41 pcs) | 30.00 kit |
| 6674 | 74-76 | Light Bulb Kit (43 pcs) | 30.00 kit |
| 10101 | 77 | Light Bulb Kit (38 pcs) | 39.00 kit |
| 10102 | 78 | Light Bulb Kit (42 pcs) | 39.00 kit |
| 10103 | 79 | Light Bulb Kit (43 pcs) | 39.00 kit |
| 10104 | 80 | Light Bulb Kit (47 pcs) | 39.00 kit |
| 10105 | 81 | Light Bulb Kit (49 pcs) | 39.00 kit |
| 10106 | 82 | Light Bulb Kit (49 pcs) | 39.00 kit |

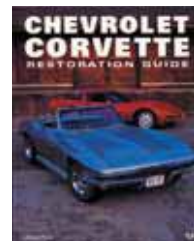
NOTE: #2182 bulb not included (optional equipment) #2102D, DS410, 563 are also not included

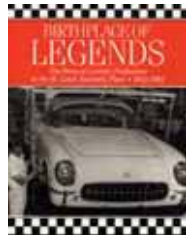
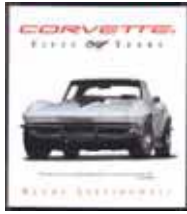


| | | | | | |
|-------|-------|--|--|--|--|
| 3808 | 53-62 | Restoration and Technical Guide 79.95 ea ND | | | |
| 3803 | 63-67 | Restoration and Technical Guide 79.95 ea ND | | | |
| 10487 | 68-82 | Restoration and Technical Guide.....Coming Soon The Restoration and Technical Guides are one of the best reference guides you can buy. Both contain over 400 pages of illustrations, charts, diagrams and techniques for doing the job right. | | | |
| 3804 | 63-67 | Vette Vues Fact Book 42.95 ea | | | |
| 3807 | 68-72 | Vette Vues Fact Book 42.95 ea | | | |
| 3805 | 73-77 | Vette Vues Fact Book 34.95 ea The Vette Vues Fact Books contain hundreds of facts and photos on engine specs, gear ratios, options, prices, paint #'s, interior and exterior colors, decals, and much more. | | | |
| 3835 | 53-72 | Chassis Guide 23.95 ea This guide provides the greatest amount of information available on the restoration of a 53-72 Corvette rolling chassis. Gives many dimensions, part #'s, stamping #'s, tags, chalk marks, build sheets, original component finish colors and much more. 95 pages | | | |
| 3860 | 53-67 | NCRS Pocket Spec Guide Vol 1 14.95 ea | | | |
| 3861 | 68-82 | NCRS Pocket Spec Guide Vol 2 14.95 ea These pocket size guides contain pages of information on facts, figures, casting numbers, part #'s, date codes, etc | | | |
| 3864 | 53-82 | NCRS Judging Manuals Specify Year of Car 39.95 ea ND If you are having your car judged this is the manual you need Details part-by-part how Corvettes appeared at the time of final assembly. Included are finishes, part numbers, casting numbers, survey results, etc | | | |
| 10181 | 55-82 | Corvette By The Numbers 49.95 ea VIN, Block, Carbs, Manifolds, Water Pumps, Distributors, Generators, Alternators, Trans, Rear Axle, Radios, Etc | | | |
| 3800 | 53-07 | Black Book 15.95 ea Contains information on serial numbers, codes, prices, options, colors, head numbers, and block numbers on each year | | | |
| 10488 | 53-93 | Catalog of Corvette I.D. Numbers 24.95 ea Packed full of VINs, body #'s, engine #'s, trim and paint codes, interior colors and much more (215 pages) | | | |
| 10492 | Any | Corvette Illustrated Encyclopedia 19.95 ea Gives a detailed look at the terms & names that mean so much to Corvette history. Learn to interpret the numbers & slang that are the code of Corvette. Specs for Corvettes from 1953-2004. 300 pages | | | |
| 10491 | Any | Corvette: Five Decades of Sports Car Speed 24.95 ea Stunning photography combined with a well-researched history 192 pages | | | |
| 3887 | 68-82 | Headlight & Wiper Vacuum System Troubleshooting Guide 9.95 ea ND Step-by-step diagnosis of your headlight and wiper door system. | | | |
| | | | | | Corvette Body Repair Guides -Step-by-step instructions on how to repair and replace all panels and much more. |
| 10156 | 63-67 | Corvette Body Repair Guide Volume I 32.00 ea This volume covers the front sections. | | | |
| 10157 | 63-67 | Corvette Body Repair Guide Volume II 32.00 ea This volume covers the rear sections | | | |
| 10158 | 68-82 | Corvette Body Repair Guide Volume III 32.00 ea This volume covers the front sections | | | |
| 10159 | 68-82 | Corvette Body Repair Guide Volume IV 32.00 ea This volume covers the rear sections | | | |
| 3843 | Any | Automotive Paint Handbook 18.95 ea A complete resource guide illustrated with hundreds of photos. Covers - detailing, material selection, application, choosing a body shop and paint finish restoration. | | | |
| 3869 | 65-71 | How To Hot Rod Big Block Chevys 18.95 ea Covers 396, 402, 427, and 454 engines from 1965-1971. | | | |
| 3897 | 55-72 | How to Hot Rod Small Block Chevys ... 18.95 ea Perhaps the best high performance guide to all small block Chevy V-8's from 55-72. | | | |
| 5117 | Any | Rochester Carburetors 18.95 ea Everything you need to know to tune, rebuild, or modify Rochester Carbs. How to select, install, and tune-up your carb for street or strip. Repairs, adjustments, fuel & air requirements. Tips on choosing manifolds & fuel supply systems and info on emission control systems. 176 pages with photos and diagrams. | | | |
| 5118 | Any | Holley Carburetors, Manifolds & Fuel Injection - Revised 4th Edition 18.95 ea This book covers high performance carbs, selection and installation, the relationship between carb & manifold, air & fuel requirements and tuning. 223 pages with many photos. | | | |
| 3889 | 68-82 | How to Restore & Modify Your 68-82 Corvette 24.95 ea Guide to locating, evaluating, maintaining, hopping up & restoring 68-82 Corvettes. Hundreds of original pictures, drawings, charts, specifications and much more. 256 pages | | | |
| 10494 | 68-82 | Corvette Performance Projects 19.95 ea Over 30 repairs and upgrades. Including cooling, brakes, suspension, interior and stereo | | | |
| 3862 | 68-82 | Corvette Parts Interchange Manual 29.95 ea This manual is your guide to discovering which pieces from other Corvettes or other GM-made vehicles can be used to restore your Corvette. | | | |
| 10184 | | Corvette Tech Q & A 17.95 ea Answers to the most common tech questions on Engines, Suspension, Brakes Driveline, etc | | | |
| 3868 | 53-95 | Chevrolet Corvette Purchase & Restoration Guide by Lindsay Porter 21.95 ea Includes a year-by-year model history from 1953-1995, plus advice on which models are the best and which to watch out for. Fully illustrated and detailed step by step photos, chapters on body work and frame, interior & trim, mechanicals and electricals. 256 pages | | | |



Headlight and Wiper Vacuum System Troubleshooting Guide

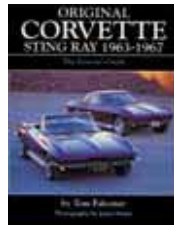
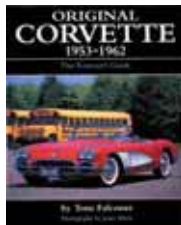




- 10489 Any **Corvette 50 Years (softbound) 24.95 ea**
Officially licensed by GM. It takes a colorful, nostalgic and commemorative look at the obstacles and achievements of Corvettes
384 pages
- 3853 53-81 **Birthplace of Legends 29.95 ea**
A story of Corvette production at the St Louis Assembly Plant from 1953-81. Vintage photos capture the spirit of those who made the dream car a reality. 146 pages
- 10182 Any **Zora-Arkus Duntov The Legend Behind Corvette 39.95 ea**
Tells the story of how a gifted engineer became the guiding force behind the Corvette and in the process became an American legend himself



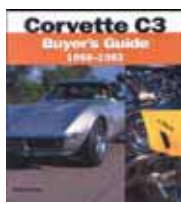
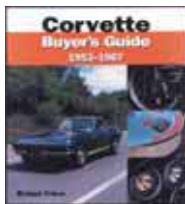
- 10495 Any **Corvettes "The Cars that Created the Legend" 24.95 ea**
An excellent photographic history of Corvettes. Packed with 150 full-color photos 176 pages
- 3840 63-67 **Corvette Stingray "Sports Car Color History" by Mike Mueller 22.95 ea**
Softbound book takes a colorful look at the history of the 63-67 in picture - oriented format. Over 80 color and 50 b & w photos show the Sting Ray 128 pages
- 6656 68-82 **Corvette Sports Car Color History by Mike Mueller 24.95 ea**
Same as #3840 above but for 68-82 Corvettes



- 10490 53-97 **Corvette - Collector's Library (previously Illustrated Corvette Buyer's Guide) ... 18.95 ea**
Specifications, value charts, driving tips, investment advice, 5 star rating system
- 3867 53-62 **Original Corvette 53-62 Restorer's Guide 39.95 ea**
- 3886 63-67 **Original Corvette 63-67 Restorer's Guide 35.95 ea**
- 10155 68-82 **Original Corvette 68-82 Restorer's Guide 35.95 ea**
This series pieces together essential information about your Corvette. Beautiful full color photos of outstanding examples of each model. Provides details of factory specs and equipment plus production history and changes.



- 3899 Any **Corvette Milestones by Mike Mueller 14.95 ea**
A full-color gallery, spanning four decades of Chevrolet's most prominent Corvettes. Shown are the SR-2, ZO6, ZR-1, LT-1, 25th, 35th and 40th Anniversary specials, Grand Sport, Airbox Fuelie, Indy Pace Car and More. Over 80 full color photos, 96 pages, softbound
- 3865 63-67 **Corvette Restoration Guide 29.95 ea**
Correctly finish your 63-67 to it's original factory specs. This information-packed reference outlines almost every part and subassembly necessary for a factory-original restoration. Filled with detailed schematics, charts, illustrations and photos.
- 3866 68-82 **Corvette Restoration Guide 29.95 ea**
Same as #3865 but for 68-82 Models



- 10531 53-67 **Corvette Buyer's Guide 24.95 ea**
The 53-67 Buyer's Guide helps you choose determine which is the best one for you
- 10493 68-82 **Corvette C3 Buyer's Guide 24.95 ea**
The 68-82 Corvettes are affordable, plentiful and restorable. This book helps you find the right one for you
- 5012 67 **Practical Restoration of a 67 Roadster by Don Sherman 29.95 ea**
Covers every aspect of a frame-up restoration plus searching for the right car, when to buy used or new, locating parts, what to do when parts don't fit and more.



Corvette American Legend Series

Noland Adams follows the planning & development of the first 53 Corvette through the model changes, engineering advances and racing heritage until 1957. Each book is over 200 pages and features hundreds of black & white photos from GM's archives.

- 5121 **Volume I The Beginning 29.95 ea**
- 5009 **Volume II 54-55 Production 29.95 ea**
- 5010 **Volume III 56 Racing Success 29.95 ea**
- 5011 **Volume IV 57 Fuel InjectionDISC**
- 10156 **Volume V 58-60 Production 29.95 ea**

ASSEMBLY MANUALS

These Manuals are a must for the novice or expert. It contains diagrams of all standard and optional parts with part numbers. (Specify Year When Ordering)

| | | | |
|--------------|--------------|-------------------------------|----------------|
| 10054 | 56-82 | ASSEMBLY MANUAL Binder | |
| | | Special Price | 4.00 ea |
| 3809 | 56-62 | Assembly Manuals | 19.95 ea |
| 3810 | 63-67 | Assembly Manuals | 19.95 ea |
| 3811 | 68-82 | Assembly Manuals | 19.95 ea |



OWNERS MANUALS & BAGS

Put the finishing touch on your Corvette with an Owners Manual. (Specify Year When Ordering)

| | | | |
|------|--------|--|---------|
| 3816 | 56-57 | Manuals | 8.95 ea |
| 3812 | 58-62 | Manuals | 8.95 ea |
| 3813 | 63-67 | Manuals | 8.95 ea |
| 3814 | 68-80 | Manuals | 8.95 ea |
| 3817 | 81-82 | Manuals | DISC |
| 8092 | 82 | Collector's Edition Owners Manual | CALL |
| 3837 | 58-62 | Owner's Manual Envelope (gray) | 6.95 ea |
| 3832 | 63-66E | Owners Manual Bag (before 3-16-66) | 2.95 ea |
| 3833 | 66L-68 | Owners Manual Bag (after 3-16-66) | 2.95 ea |
| 3834 | 69-72 | Owners Manual Bag | 2.95 ea |



SHOP / SERVICE MANUALS

Shop/Service Manuals cover "On the Vehicle" repairs and maintenance to engine, chassis and mechanical components. Certain cars require 2 manuals.

| | | | |
|------|-------|---------------------------------|----------|
| 3870 | 53-62 | Manual | 23.95 ea |
| 3871 | 63 | Manual | 27.95 ea |
| 3872 | 64 | Supplement (also need 63) | 14.95 ea |
| 3873 | 65 | Supplement (also need 63) | 14.95 ea |
| 3874 | 66 | Manual | 27.95 ea |
| 3875 | 67 | Manual | 27.95 ea |
| 3876 | 68 | Manual | 27.95 ea |
| 3877 | 69 | Manual | 27.95 ea |
| 3878 | 70 | Manual | 27.95 ea |
| 3879 | 71 | Manual | 27.95 ea |
| 3880 | 72 | Manual | 27.95 ea |
| 3881 | 73 | Manual | CALL |
| 3882 | 74 | Manual | 39.95 ea |
| 3883 | 75 | Supplement (also need 74) | 23.95 ea |
| 3884 | 76 | Supplement (also need 74) | 23.95 ea |
| 3885 | 77-82 | Manuals (Specify Year) | DISC |



| | | | |
|-------------|--------------|---|-----------------|
| 3863 | 66-82 | Owner's Workshop Manual | 24.95 ea |
| | | Over 300 pages of solid repair, troubleshooting, & tune-up information are combined from 17 years of GM service manuals. Covers small block, big block, tune-up, troubleshooting, fuel systems, ignition, cooling, driveline, chassis, electrical & specs. One Excellent Manual | |

| | | | |
|-------------|--------------|--|-----------------|
| 3891 | 68-82 | Hayne's Corvette Workshop Manual | 19.95 ea |
| | | Includes complete engine tune-up, brake, cooling system and electrical specifications 372 pages | |





58-62 USA-1



58-62 KHE 100 or 200



68-76 USA - 6



68-76 KHE 100 or 200



77-82 Kenwood 801



63-67 USA - 5



63-67 KHE



Soundbar

SPEAKERS

- 7836 53-57 Stereo Speaker (Dual 30 watts) 44.00 ea
- 1418 58-67 Stereo Speaker w/o Air..(Dual 30 watts) 39.95 ea
- 7837 63-67 Stereo Speaker with Air..(Dual 30 watts) ... 39.95 ea

Custom Dual 4" Prewired Speakers - designed to install in original area

- 7059 58-67 DVC Stereo Speaker w/o Air (140 Watts) 49.95 ea
DVC (Dual Voice Coil) speakers have up to 70% more cone area than regular dual speakers giving you improved bass response and 140 WATTS power handling. Both stereo channels connect directly to one speaker.

- 7060 68-82 Speakers 4 x 6 - Custom Autosound 49.00 pr
These 4 x 6 2 Way top dash or kick panel speakers handle 30 Watts a pair

- 7873 68-82 Speakers 4 x 6 - Kenwood 79.00 pr
These 4 x 6 dual cone top dash or kick panel speakers handle 60 Watts a pair

- 7869 78-82 Rear Speakers 6 x 9 - Custom Autosound 69.00 pr
These 6 x 9 3 Way rear speakers can handle 120 Watts a pair

- 7838 78-82 Rear Speakers 6 x 9 - Kenwood 89.00 pr
These 6 x 9 dual cone rear speakers can handle 150 Watts a pair

- 7839 78-82 Rear Speakers 6 x 9 - Pioneer 3 Way 149.00 pr
These 6 x 9 3 Way rear speakers can handle 220 Watts a pair

- 7859 63-82 Soundbar Speaker Assembly 109.95 ea
The 63-82 soundbar speaker assemblies are custom made units. They require no modification to install - aluminum tabs at the ends allow a pressure fit against the carpeting. These custom 3" deep assemblies have two 5" speakers, 2 mid range and two tweeters (200 Watts of power). Covered in black nylon velour, the soundbar is easily dyed to match your interior color if you so desire. On 68-76 Corvettes the courtesy light can easily be fitted into the foam center section. This unit will not affect T-Top storage or convertible top fold down.

- 7855 62-82 Radio Noise Suppression Kit 17.95 ea
Attaches to your alternator to suppress the whining, buzzing and hums it causes. Installation is simple - just connect 2 wires and the supplied mounting bracket. This kit will fit 62 - 82 Corvettes with an alternator.

*** LIMITED DISCOUNT Available on all Stereos and Related**



4 x 6 Speakers



6 x 9 Speakers



58-67 Speakers



#7046 CD Changer



CUSTOM AUTOSOUND

USA-1: Stereo with Cassette ~ Auto-Reverse ~ Tape Eject/Fast Forward & Rewind ~ 30 Presets (12AM/18FM) ~ Electronic Tuning ~ Preset Scan Seek & Scan ~ Separate Bass & Treble Controls ~ Left & Right Balance Control ~ Fader ~ Radio Intercept ~ RCA Pre-outs ~ Power Antenna Lead ~ Digital Clock ~ Best Station Memory ~ Local/Long Distance Button Video, MP3, iPod, Satellite Compatible
~ 200 WATTS of Power

USA-1 Available with a CHROME or BLACK Face - Specify

USA-5: Stereo with Cassette has a digital display hidden behind an analog dial for a more original look ~ Auto Reverse ~ Tape Eject/Fast Forward & Rewind ~ 30 Presets (12 AM/18 FM) ~ Electronic Tuner ~ Pre-set Memory Scan ~ Seek & Scan ~ Separate Bass & Treble Controls ~ Left & Right Balance Control ~ Fader ~ RCA Pre-outs ~ Power Antenna Lead ~ Digital Clock ~ Best Station Memory ~ Local/Long Distance Button ~ Metal Tape ~ **CD CHANGER CONTROLLER** (buttons on radio will control all functions of the optional 10 disc CD Changer we sell.
240 WATTS (4 x 60) of Power

USA-5 Available with a CHROME or BLACK Face - Specify

USA-6: Stereo (NO CASSETTE) has a digital display hidden behind an analog dial for a more original look ~ 25 Presets (10AM/15FM) ~ Electronic Tuner ~ Pre-set Memory Scan ~ Seek & Scan ~ Separate Bass & Treble Control ~ Left & Right Balance Control ~ 4-way Fader ~ RCA Pre-outs ~ Power Antenna Lead ~ Digital Clock ~ Best Station Memory ~ Local/Long Distance Button ~ **CD CHANGER CONTROLLER** (buttons on radio will control all functions of the optional 10 disc CD Changer we sell.
240 WATTS (4 x 60) of Power

USA-6 Available with a CHROME Face Only

#7046 10 Disc CD Changer 279.00 ea

This 10 disc changer plugs directly into the USA-5, USA-6 and Kenwood 801 stereos and is controlled by the buttons on the face of the stereo. Features Dual 1 bit D/A converter ~ 8 times over sampling ~ spring loaded oil damped suspension system ~horizontal or vertical mounting.
 Size: 9 3/4" w x 3 1/2" h x 6 3/4" d

Custom Autosound and KHE Stereos are Custom-Fit for 53-82 Corvettes. Fit in a stock dash with no modifications.

USA-2: Stereo AM/FM No Cassette. (18 FM/12 AM Presets) Left & Right Balance ~ Separate Bass & Treble 4 Channel RCA Outputs & Input for iPod, MP3, DVD, Satellite, etc Upgraded AM/FM Tuners For Optimum Reception Seek and Scan ~ Power Antenna Lead New Electronic Volume and Tuning Controls Digital Clock ~ 2 Year Warranty

This stereo is manufactured by Custom Autosound

200 WATTS of Power (4 x 50)

USA-2 Available with a CHROME or BLACK Face - Specify

KHE Stereos

KHE 100: Stereo Cassette with CD Changer Controller (will work with any FM Modulated CD Changer) ~ Auto Reverse ~ Locking FF & RW ~ Separate Bass & Treble ~ 4 Way Fader ~ 20 Presets 15 FM/5 AM ~ Manual Tuning ~ Preset Scan ~ Seek Auto Tune ~ Auto Store ~ Auto Stereo-Mono ~ Power Antenna Lead ~ LCD w/Green Illumination ~ RCA Pre-outs ~ Auxiliary Input ~ Clock

100 WATTS of Power (4 x 25)

Available with a CHROME or BLACK Face - Specify

KHE 200: Same Features as the KHE-100 but with twice as much power

200 WATTS of Power (4 x 50)

Available with a CHROME or BLACK Face - Specify

USA-5, USA-6

CD PACKAGES - See Chart Below

CUSTOM AUTOSOUND & KHE PRICING (Limited Discount Available)

| Year | USA-1 | USA-5 | USA-5 CD Package | USA-6 | USA-6 CD Package | KHE 100 | KHE 200 | USA-2 | |
|-------|-------------------|-------------------|-------------------|-------------------|----------------------|-------------------|-------------------|--------------------|--|
| 53-57 | #7856 \$199.00 | #7021 \$279.00 | #7022 \$529.00 | #7023 \$239.00 | #7019 \$489.00 LD | #7045 \$199.00 | #7670 \$259.00 | #10641 \$169.00 | |
| 58-62 | #7822 \$199.00 | #7118 \$279.00 | #7439 \$529.00 | #7469 \$239.00 | #7493 \$489.00 LD | #7047 \$199.00 | #7671 \$259.00 | #10642 \$169.00 | |
| 63-67 | #7824 \$199.00 | #7119 \$279.00 | #7452 \$529.00 | #7497 \$239.00 | #7494 \$489.00 LD | #7037 \$239.00 | #7672 \$299.00 | #10643 \$169.00 | |
| 68-76 | #7832 \$199.00 | #7120 \$279.00 | #7458 \$529.00 | #7498 \$239.00 | #7495 \$489.00 LD | #7040 \$199.00 | #7673 \$259.00 | #10644 \$169.00 | |
| 77-82 | #7834 \$199.00 | #7161 \$279.00 | #7459 \$529.00 | #7499 \$239.00 | #7496 \$489.00 LD | #7041 \$199.00 | #7674 \$259.00 | #10645 \$169.00 | |



68-71 Pioneer



Sanyo

All stereos on this page include a gauge bezel with a custom designed opening that allows you to have an in-dash CD player. You will have to transfer your factory gauges and vents into the new bezel. No cutting, no gaps, no fitting just good looks & great sounds.



Audiovox



72-76 Sony

1968-1982 AUDIOVOX Stereo with Built-In CD Player includes Gauge Bezel

- * 28 Watts
 - * 8x Over Sampling Track/Search/Cue/Intro Shuffle/Repeat
 - * Electronic Bass & Treble
 - * Quartz Clock
 - * Loudness Control
 - * Mono/Stereo
 - * Auxiliary in on Front Panel
 - * Green Backlit
 - * Electronic Balance & Fader
 - * 4 Way Fader
 - * Audio Mute
 - * RCA Pre-Out
 - * Electronic Manual Tune Up-Down No Presets
- | | | | | | |
|--------|-------------|-----------|--------|-------------|-----------|
| #10610 | 68-71 | 309.00 ea | #10613 | 78-80 | 269.00 ea |
| #10611 | 72-76 | 309.00 ea | #10614 | 81-82 | 269.00 ea |
| #10612 | 77 | 269.00 ea | | | |

1968-1982 PIONEER Stereo with Built-In CD Player includes Gauge Bezel

- * 200 Watts
 - * XM Radio Ready
 - * Disc Title Memory
 - * CD Changer Control
 - * 3-Band Parametric Equalizer
 - * 2 pr RCA Pre-Out (front & rear)
 - * 24 Station/6 Button Presets
 - * Automatic Gain Control
 - * Popul Rotary Volume Control
 - * Selectable Front Image Enhancer
 - * LCD Display with LED Backlight
 - * Flip Face
 - * Remote Control
 - * AM/FM CD Player
 - * MP3/CD-R/CD-RW Compatible
 - * CD Text
 - * External DVD Control
 - * Selectable Fader
 - * Selectable Loudness (3 Mode)
 - * Best Station Memory
 - * Super Tuner IIID
 - * Wired Remote Input
 - * Source Level Adjuster
 - * Blue Illumination
 - * Detachable Face
- | | | | | | |
|--------|-------------|-----------|--------|-------------|-----------|
| #10590 | 68-71 | 459.00 ea | #10593 | 78-80 | 429.00 ea |
| #10591 | 72-76 | 459.00 ea | #10594 | 81-82 | 429.00 ea |
| #10592 | 77 | 429.00 ea | | | |

1968-1982 SANYO Stereo with Built-In CD and Cassette includes Gauge Bezel

- * 180 Watts
 - * CD Player
 - * Cassette Player (auto reverse)
 - * Detachable Face
 - * Green Backlit
 - * CD Changer works up to 2 Sanyo CD Changers
 - * Dolby B
 - * Clock
 - * Power Antenna/Amplifier Lead
 - * Music Search
 - * Stereo Quartz PLL Digital Tuner
 - * 18 Station Presets
 - * 12 Travel Presets
 - * BASSXPANDER Sound Systems
 - * Multi-function Display
 - * Electronic Controls for Volume, Bass, Treble, Balance & Fader
 - * RCA Line Out
- | | | | | | |
|--------|-------------|-----------|--------|-------------|-----------|
| #10605 | 68-71 | 539.00 ea | #10608 | 78-80 | 499.00 ea |
| #10606 | 72-76 | 539.00 ea | #10609 | 81-82 | 499.00 ea |
| #10607 | 77 | 499.00 ea | | | |

1968-1982 KENWOOD Stereo with Built-In CD Player includes Gauge Bezel

- * 200 Watts
 - * Sirius Satellite Radio Ready
 - * Random & Repeat Play
 - * Rear Preouts
 - * Loudness Control
 - * Mosfet Power Amplifier
 - * Automatic Memory Entry
 - * Detachable Face
 - * HD Radio Ready
 - * AM/FM CD Player
 - * CD, CD-R/RW Playback
 - * CD Changer Controller
 - * Bass/Mid/Treble Tone Controls
 - * Front/Rear Fader
 - * 24 Presets
 - * Seek Tuning
 - * Clock
 - * Remote Control
- | | | | | | |
|--------|-------------|-----------|--------|-------------|-----------|
| #10595 | 68-71 | 459.00 ea | #10598 | 78-80 | 429.00 ea |
| #10596 | 72-76 | 459.00 ea | #10599 | 81-82 | 429.00 ea |
| #10597 | 77 | 429.00 ea | | | |

1968-1982 SONY Stereo with Built-In CD Player includes Gauge Bezel

- * AM/FM CD Player
 - * MP3/CD-R/CD-RW Compatible
 - * Selectable Fader/Balance Control
 - * 208 Watts (52 Watts x 4)
 - * Wireless Remote Control
 - * Clock
 - * 3 Band Equalizer
 - * ATRAC3 Plus Compatible
 - * Seek/Scan
 - * 24 Station/6 Button Presets
 - * Detachable Face
 - * 1-Preamp Output
- | | | | | | |
|--------|-------------|-----------|--------|-------------|-----------|
| #10600 | 68-71 | 459.00 ea | #10603 | 78-80 | 429.00 ea |
| #10601 | 72-76 | 459.00 ea | #10604 | 81-82 | 429.00 ea |
| #10602 | 77 | 429.00 ea | | | |

1968-1982 Bezel Only Precut for your own indash CD Player

- | | | | |
|--------|-------|-------------------------------------|-----------|
| 10575 | 68-71 | Dash Bezel - Precut (Metal) | 229.00 ea |
| 10576 | 72-76 | Dash Bezel - Precut (Metal) | 229.00 ea |
| 10577 | 77 | Dash Bezel - Precut (Plastic) | 179.00 ea |
| 10578B | 78-80 | Dash Bezel - Precut (Plastic) | 179.00 ea |
| 10579 | 81-82 | Dash Bezel - Precut (Plastic) | 179.00 ea |

ORDERING INFORMATION AND POLICIES

ORDERING INFORMATION

Rush Orders: Need your order shipped the same day? Just ask for Rush Service. The cost for this service is an additional \$4.00 and you must call the order in by 2:00 pm Eastern Time. Always ask us to check stock on Rush Orders.

Minimum Order: A \$20.00 minimum parts order is required.

By PHONE: Orders are processed in the order they are received -if you want same day processing see above "Rush Orders".

By FAX: Our fax machine receives orders 24 hours a day. Fax orders are processed no later than the next business day. Please be sure to include all necessary information - especially your daytime phone number.

By MAIL: Mail orders are processed within 24 hours of receipt. Please include a daytime phone number.

By ON-LINE: We have a secure on-line order form that you can fill out 24 hours a day.

Payment Methods: VISA, Mastercard and Discover Cards are accepted. Prepaid mail orders may send a check, money order, cashier's check or credit card. All credit card orders please include card #, exp date, cardholder's name and billing address.

SHIPPING INFORMATION

1) **Shipping on Prepaid Orders** - please call for shipping costs (have your parts list in front of you when calling).

2) **UPS & FedEx Ground Service** - all orders will be shipped by Ground Service unless:
a) customer requests other means of delivery
b) customer's location is not served by Ground Service
c) the package's size is over the limit

3) **UPS & FedEx 3 Day Service** - customers on the West Coast benefit from this service. The cost is more than Ground but less than Air Service. Rates are based on dimensional weight - call for costs.

4) **UPS & FedEx Next Day Air and 2-Day Air** -due to the fact that rates are based on the dimensions on the box and where you live please call for pricing.

5) **UPS & FedEx Saturday Delivery** - Items must be sent Next Day Air on Friday. The cost is Next Day Air costs plus \$12.50.

6) **Truck Shipping** - some parts in our catalog are too large to ship by UPS. These parts are denoted by (T) in their description. Call for approximate shipping costs. Shipping is paid upon delivery.

7) **HAWAII, ALASKA and PUERTO RICO** - All orders must be shipped by UPS 2nd Day Air, Next Day Air or U.S. Postal Service. Please specify which method you prefer.

8) **APO, FPO, GUAM, VIRGIN ISLANDS** - All orders to these locations must be sent by the U.S. Postal Service.

9) **CANADA** - UPS Ground and Air Service is available to most locations in Canada. Orders can be shipped by the Post Office if you prefer or if UPS does not deliver to your address. A \$5.00 processing fee will be charged on all Canadian orders to cover the costs of filling out the extra documents required.

10) **INTERNATIONAL ORDERS** - Orders will be shipped by Burlington Air Express, UPS International Air or Air Express International whichever is less expensive. If you request the order be shipped by U.S. Postal Service you assume all risk and responsibility if the package is lost, damaged or

delayed. We can quote you price on any shipping method you choose. All shipping charges and a \$5.00 handling fee will be applied to your credit card. All customs fees and duty must be paid by the customer.

POLICIES

Returns and Exchanges

1) **ALL RETURNS** require an authorization number or they will not be processed.

2) **NO RETURNS ON:**

- Any part **OVER 30 DAYS** from ship date
- Electrical Parts
- Any part that has been installed or altered in any way
- Non-stocked items such as fiberglass parts shipped by truck or interior parts that are of unusual color or are non-original
- All Special Orders

3) Please notify us within **10 days** of receipt that you wish to return an item. We will supply you with a Return Authorization Number. Absolutely no returns or exchanges will be accepted without the number. **Any item returned later than 30 days from ship date is subject to a restocking fee.**

4) *Corvette World* must be notified of all returns and a copy of the original invoice must be included with return - Or your return will not be processed.

5) C.O.D. return packages will not be accepted.

6) Any item returned that was shipped correctly by *Corvette World* is subject to a 15% restocking fee.

7) **CORE RETURNS:** Rebuildable cores must be returned within 30 days from the ship date - or your refund may be reduced or lost.

Damages and Shortages

1) **Damages**

If your order arrives damaged, immediately notify the carrier and *Corvette World*. Please keep all boxes and packaging materials until an inspection has been made by the carrier.

2) **Shortages**

If the shortage is a result of damage, follow the above instructions. If the shortage is due to an error by *Corvette World*, you must notify us within 2 days of delivery.

Disclaimer: *Corvette World* is not responsible for printing errors.

Prices are Subject to Change Without Notice :

Due to the length of time our catalogs are in effect, changes may occur in price, description or availability.

Sales Tax: Any order being shipped to an address in the state of Pennsylvania must add 6% Sales Tax.

Backorders: Due to the large variety of parts we handle, backorders are an unavoidable occurrence. Normally backorders are shipped within 2 weeks. After 30 days you will be notified before shipping. Please notify *Corvette World* as soon as possible if you wish to cancel a backorder or you may be responsible for the shipping charges incurred by us.

Liability Disclaimer: *Corvette World* will not be responsible for any damage or loss caused by delays, failure or any other consequential damage arising from any cause whatsoever, nor for labor, transportation or any other charges incurred in the replacement or repair of a defective item.

Due to various conflicting opinions regarding correct applications for any part, we advise the customer to check the latest judging manuals for appropriate applications before purchasing.