

Accessories	7, 8, 212-214	Defroster	37	Grommets	32	Shifter & Transmission	45, 46
Accelerator Linkage & Related	14	Distributor & Generator	19, 20	Hardtop	36	Shifter Boots	15
Air Cleaner	10	Door Hardware	20, 21	Headlights	37	Shocks	48
Antenna	10	Door Panels & Trim	40	Headliners	41	Sill Plates	42
Arm Rest	40	Door Window Seals	20	Heat Barrier Kits	39	Spark Plug Wires	22
Ashtray	15	Electrical Switches	38, 50	Heater & Related	37, 38	Speedo Cables	14
Balancers & Pulleys	23	Emblems	22	Hood Hardware	38	Splash Shields	24
Battery Cables	11	Engine Compartment	22, 23	Hoods	30	Steering Column	47
Battery Trays	10	Engine Mounts	23	Horns	22	Stereos (Custom-Fit)	212, 213
Body Mounting	11	Exhaust & Related	25, 26	Hose Clamps	16	Sunvisors	41
Books & Manuals	208-211	Exhaust Chrome	13	Hubcaps	52	Suspension - Front	47, 48
Brake Lines & Related	11, 12	Expansion Tank	17	Idler Pulleys	23	Suspension - Rear	49, 50
Brake Pedal Pads	34	Exterior Trim & Moldings	27	Ignition Coils	22	Sway Bar	48, 50
Bumpers & Related	13	Fans & Related	17	Ignition Shielding	39	Switches	38, 50
Cables	14	Fan Shrouds	17	Intake Manifold Related	23	Tach Cables	14
Car Covers	7	Fasteners & Bolts	28, 29	Interior	3, 39, 40-42	Timing Covers	23
Carburetor & Related	14	Fiberglass & Related	30-32	Interior Dye	41	Tools	9
Carpet	39	Firewall Insulation & Related	32	Jacks	50	Transmission	45, 46
Choke Tubes & Covers	15	Floor Mats	39	Kick Panel	41	Trans Mounts	23
Clean Air Tubes	15	Frame	11	Light Bulb Kits	54	Trunk	50
Clocks	35	Fuel Filters	33	Lights & Lamps	43	Trunk Mats & Liners	42
Clutch	46	Fuel System & Related	33	Locks & Related	43, 44	U-Joints & Related	49
Console	15	Fuse & Flasher Kits	54	Manuals	208 - 211	Vacuum Advance Lines	15
Convertible Tops & Related	15	Gas Door	34	Master Cylinders	12	Valve Covers	24
Conv Top Hardware	15, 16	Gas Lines & Related	33	Mirrors & Related	44	Voltage Regulators	22
Conv Top Tabs	41	Gas Pedals	34	Oil System	24	Water Pumps & Related	17, 23
Cooling System	16, 17	Gas Tank	34	Paints & Dyes	9, 41	Weatherstripping	51, 52
Courtesy Lights	43	Gaskets & Seals	34	Parking Brake	12	Wheel Bearings	48
Crankcase Vent Tubes	24	Gauges & Lenses	35	Radiators & Related	16, 17	Wheel Cylinders	12
Dash	18	Generator	19	Radios & Related	44	Wheels & Hubcaps	52
Dash Pads	41	Glove Box	42	Rear End	48, 49	Window Channels & Seals	20
Decals	18, 19	Grab Bar	41	Seat Belts, Underbody Brkts	11, 45	Windshield & Wiper Parts	53
Deck Lid Hardware	16	Grill	35, 36	Seat Covers, Foam, Etc	41	Wiring Harnesses	53, 54

63-67 INDEX

Accessories	7, 8, 212-214	Distributor	73	Hood Hardware	101	Side Exhaust	86
Accel Linkage & Related	64	Door Hardware	73-76	Hoods	91	Sill Plates	106
Air Cleaners	55, 56	Door Panels & Related	105	Horns	77	Spare Tire Carrier	113
Air Conditioning	100	Door Panel Trim	105	Hose Clamps	69	Spark Plug Wires	77
Alternator Pulleys, Brackets	80, 81	Door Pulls	105	Hubcaps	118	Speedo Cables	63
Antenna	57	Door Window Seals	75, 76	Idler Pulleys	82	Splash Shields	78
Ashtray	66	Dust Shields	78	Ignition Coils	78	Starter Related	77
Battery Cables & Trays	57	Electrical	78, 116	Ignition Shielding	102, 103	Steering Box	122
Body Lift Sling	58	Emblems	76, 77	Intake Fittings	81	Steering Column	113-115
Body Mounting	58	Engine Compartment	77-83	Intake Gaskets & Bolts	83	Steering Linkage	122
Books & Manuals	208-211	Engine Comp Seal Kits	78	Interior	4, 103-106	Steering - Manual	122
Brake Blocks	59	Engine Mounts	78	Interior Dye	104	Steering - Power	121, 122
Brake Calipers	62	Exhaust	83-86	Jacks	113	Stereos (Custom-Fit)	212, 213
Brake Lines & Related	59-62	Exhaust Manifolds	83	Kick Panel	106	Sunvisors	104
Brake Pads & Shoes	60, 62	Expansion Tanks	68, 69	Light Bulb Kits	120	Suspension - Front	123 - 125
Brake Pedal Pads	94	Exterior Trim & Moldings	86, 87	Lights & Lamps	107	Suspension - Rear	125 - 130
Bumpers & Related	63	Fans & Related	70	Locks & Related	107, 108	Switches	116
Cables	63	Fan Shrouds	68	Manuals	208-211	Tach Cables	63
Calipers	62	Fasteners & Bolts	87-90	Master Cylinders	60	Thermostat Housings	70
Capacitors	108	Fiberglass & Related	90-92	Mirrors & Related	108	Timing Covers	82
Car Covers	7	Firewall Grommets, Etc	93	Oil System	79	Tools	9
Carburetor & Related	64	Firewall Insulation	93	PCV Vacuum Fittings & Valves	81	Trailing Arms	125, 129
Carpet	103	Floor Mats	104	Paints	9, 104	Transmission	111, 112
Choke Rods & Related	65	Frame	58	Parking Brake	60, 61	Trans Mounts	78
Choke Tubes	65	Fuel System	93, 94	Parking Brake Console Cover	66	U-Joints & Related	128
Clean Air Tubes	65	Fuse & Flasher Kits	120	Plenum Fittings	81	Vacuum Advance Lines	65
Clocks	96	Gas Door	95	Power Brake Booster	60	Valve Covers & Bolts	79, 88
Clutch	112	Gas Lines & Related	93, 94	Power Steering	121, 122	Vent Doors & Cables	100
Console	66	Gas Pedals	94	Radiator & Related	68-70	Vent Window	75
Conv Tops & Related	67	Gas Tank	95	Radios, Etc	108, 109, 212, 213	Voltage Regulators	116
Conv Top Hardware	67	Gaskets & Seals	95, 96	Rear End	130	Water Pumps & Related	69, 82
Cooling System	68-70	Gauges & Lenses	96	Relays	116	Weatherstripping	116, 117
Courtesy Lights	107	Glove Box	70	Rocker Moldings	87	Wheel Bearings	124
Crankcase Vent Tubes	55	Grill	96	Seat Belts & Related	110	Wheel Cylinders	60
Crank Pulleys & Balancers	82	Hardtop Hardware & Related	97	Seat Covers, Foam, Etc	104	Wheels & Related	118
Dash	70, 71, 99, 100	Headlight	98, 99	Seat Hardware, Etc	109, 110	Window Channels & Seals	75, 76
Dash Pads	104	Headliners	105	Shifter & Transmission	111, 112	Window Moldings & Clips	86
Decals	71, 72	Heat Barrier Kits	104	Shifter Boots	66	Windshield Wiper Parts	119
Deck Lid Hardware	67	Heater & Related	99, 100	Shocks	125	Wiring Harnesses	119, 120

1953-1962 INTERIOR COLOR CODES

56-57 Beige Code 03	59-62 Black Code 20	58-60 Blue Code 07	61 Blue Code 08
58 Charcoal Code 04	61-62 Fawn Code 09	53-55 Red Code 01	
56-58 Red Code 02	39-62 Red Code 35	59-60 Turquoise Code 06	

Note: Colors shown are approximations to assist you in determining your interior color. Actual material samples may be requested.



56-62 INTERIOR SECTION
Pages 39 - 42

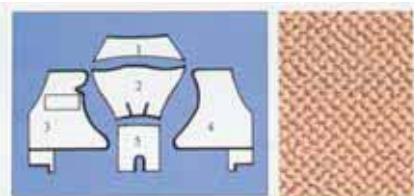
56-62 Replacement Seat Belts



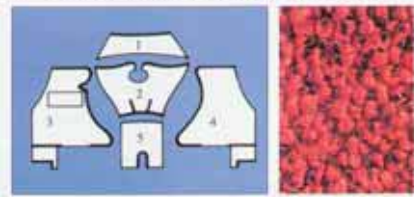
56-57 Deluxe Panel - Page 40



58 Door Panel #4807 & #4808 - Page 40



▲ 1956-57 Carpet Set w/Daytona Loop close-up



▲ 1958-62 Carpet Set w/Tuxedo Loop close-up

Carpet Sets & Floor Mats - Page 39



1956-1962 Kick Panels/Components
Kick Panel & Related - See Page 41



59 Deluxe Panel - Page 40



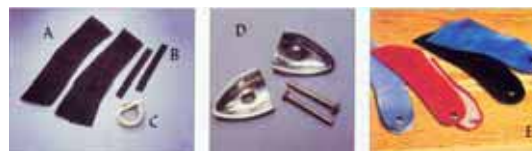
Dash Pads - See Page 41



62 Deluxe Panel - Page 40



Headliners - Page 41



Convertible Tops & Related - Page 15 Tabs - Page 41



Sunvisors - Page 41



Seat Covers
Page 41



1958-61 Armrests with Chrome Ends
Arm Rests Page 40





SATIN STRETCH Custom Car Covers

Our Finest Indoor Cover. Satin Stretch has Lycra fibers for stretch in both directions. The inner liner is the softest fleece available, specially designed not to rub off on convertible tops. Standard Color is Gray, but Black, Navy, Tan, Yellow, Red, and Pearl White are available as special orders. Add \$ 35 for a Corvette Logo.

1001	53-55	Satin Stretch Car Cover	229.00 ea
1002	56-62	Satin Stretch Car Cover	229.00 ea
1003	63-67	Coupe - No Mirror Pockets	229.00 ea
1004	63-67	Conv. - LH Mirror Pocket.....	229.00 ea
1006	68-78	LH Mirror Pocket (A) or Two Pockets (B)..	229.00 ea
1010	78P-82	78 Pace and 79-82	229.00 ea

STORMPROOF Car Covers

Our Finest Outdoor Cover. Stormproof Material is the most waterproof, breathable cover designed by Coverking. The micro-fiber base material is soft to the touch. The material is Untreated, Uncoated, and Unprocessed, therefore it can not wear off, scratch off, or simply wash off. Add \$35 for a Corvette Logo. Add \$80 for Two-Tone

10667	56-62	Stormproof Cover - Gray.....	259.00 ea
10668	63-67	Stormproof Cover - Gray.....	259.00 ea
10669	68-78	Stormproof Cover - Gray.....	259.00 ea
10670	78P-82	Stormproof Cover - Gray.....	259.00 ea

TRI-GUARD Car Covers

Tri-Guard Custom Car Cover is perfect for mild weather and indoor storage. This lightweight, three layer material is treated with UV inhibitors. Only available in gray. Add \$35 for a Corvette Logo.

10671	56-62	Tri-Guard Cover	109.95 ea
10672	63-67	Tri-Guard Cover Specify Coupe or Conv.	109.95 ea
10673	68-78	Tri-Guard Cover Specify 1 or 2 Mirrors...	109.95 ea
10674	78P-82	Tri-Guard Cover	109.95 ea

SILVERGUARD Car Cover

Silverguard is a 300 denier polyester material with a reflective and water resistant coating. It is a great choice for most conditions, except extreme rain, snow or ice. Add \$35 for a Corvette Logo.

10675	56-62	Silverguard Car Cover	129.00 ea
10676	63-67	Silverguard (Specify Coupe or Conv.).....	129.00 ea
10677	68-78	Silverguard (Specify 1 or 2 Mirrors)	129.00 ea
10678	78P-82	Silverguard Car Cover.....	129.00 ea

NOAH Car Covers

NOAH is the newest and best Corvette cover available from Wolf - the pros of vehicle protection. NOAH combines barrier protection with superior breathability that will release condensation and moisture trapped between your cover and your Corvette. Constructed of a revolutionay 3-Layer fabric developed by Kimberly-Clark. Ideal for indoor and outdoor use. Gray

6744	53-62	NOAH Car Cover	159.95 ea ND
6745	63-67	NOAH Car Cover	159.95 ea ND
6746	68-79	NOAH Car Cover	159.95 ea ND
6747	80-82	NOAH Car Cover	159.95 ea ND



BATTERY MASTER SWITCH

Installs in minutes to stop battery drain or electrical fires on stored cars. Also by removing the knob you can help avoid theft. Use them on all your cars !!

6636	Top Post Battery Disconnect Switch	9.95 ea
6637	Side Post Battery Disconnect Switch	12.95 ea

THE ORIGINAL CAR DUSTER

Pass this duster over the surface of the car lightly & pick-up all dust without scratching the surface. Comes with storage pouch & instructions.

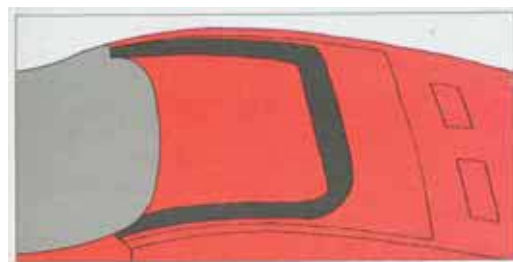
7160	Original Car Duster	19.95 ea
------	---------------------------	----------



63-82 Cleartastic Paint Protectors

Cleartastic is a great way to protect your paint. To apply pre-cut flexible film, simply press it on (adheres by static electricity). To remove just peel it off. The clear film lets the body color show through so the product is almost invisible.

6660	63-67	Behind Rear Wheel	22.25 pr
6664	69-82	Front of Rear Wheel	22.25 pr
6665	74-82	Behind Rear Wheel	22.25 pr



1953-75 DECK LID PROTECTORS

Prevent your softtop or hardtop from scratching your deck lid. Deck Lid Protectors are static cling film (no adhesive needed). **Specify Clear or Black and Hardtop or Softtop.**

9082	56-62	Deck Lid Protector	27.00 ea
9083	63-67	Deck Lid Protector	27.00 ea
9084	68-75	Deck Lid Protector	27.00 eaST



5000 68-82 **Cup Holder** 29.95 ea
 Installation of this tray allows you to still operate the emergency brake handle. On 68-76 models it uses factory console screw holes, and 77-82 models use 2 screws into carpeted sides of console. Screws included.



GLASST-Tops

1013 68-82 **Glass T-Tops (Mirrored Glass - Gray Tint) All Glass Roof Panels** 1049.00 pr ND
 These tops have the same appearance as the factory glass roofs, but at a lesser price. These t-tops are mirrored glass from the outside and have a gray tint on the inside. Made of tempered glass these Roof Panels are less prone to breakage when compared to the factory laminated glass tops. They are of the same design all the GM panels.

Slight modification necessary on 68-77 Corvettes



68-82 T-TOP Bags

T-Top Storage Bags with soft lining and velcro fasteners. Available in BLACK, DARK RED, GRAY, DARK BROWN, TAN, OYSTER, DARK BLUE.

7020__ 68-82 **T-Top Storage Bags - available in colors listed above** 39.95 pr



1938 53-82 **Clip on License Frame - Stainless (repro of the original)** 15.95 ea
 6116__ 65-82 **License Frame with Year of Car** 14.95 ea
Specify Year of Car when ordering.

Durable die-cast metal frames feature raised Corvette Logo and Year of Car. Frames are chrome with raised black letters.



56-79 Plates are top mount -- 80-82 Plates are Bottom Mount

1933 56-79 **License Plate Chrome Letters (A)** 7.95 ea
 1935 56-79 **License Plate w/Chrome Letters and Border** 8.50 ea
 1932 56-79 **License Plate w/Gold Letters and Border** 8.50 ea
 1936 80-82 **License Plate Chrome Letters (E)** 7.95 ea
 1934 80-82 **License Plate w/Chrome Letters and Border** 8.50 ea
 1899 80-82 **License Plate w/Gold Letters and Border** 8.50 ea
 1716 ALL **Frnt. License Plate Mounting Screw, Nut and Bumper Set** 3.50 set



73-82 WIPER COMPARTMENT COVER

Made of durable ABS plastic, the wiper compartment cover fits neatly onto the cowl area of your Corvette for a clean, finished appearance. Available in black, you can install as is or paint to match your exterior color. Fiberglass or rivet into place.

9105 73-82 **Wiper Compartment Cover - Black** 54.95 ea



FENDER COVERS

Heavy Duty, foam backed vinyl construction with a rubber reinforced tool ridge for extra padding.

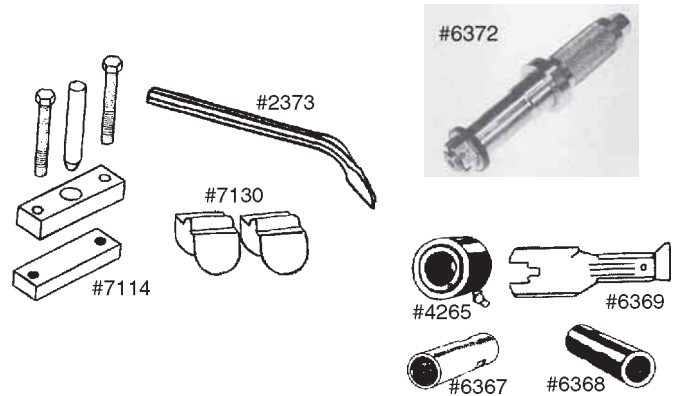
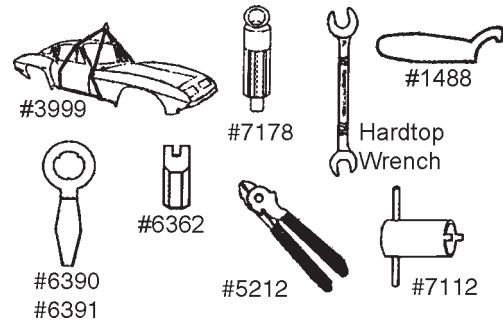
9183 ALL **Fender Cover - Blue Emblems** 17.95 ea
 9184 ALL **Fender Cover - Red Emblems** 17.95 ea
 9185 ALL **Fender Cover - Corvette** 17.95 ea
 9186 ALL **Fender Cover - Heartbeat of America** ... 17.95 ea



PAINTS & ADHESIVES

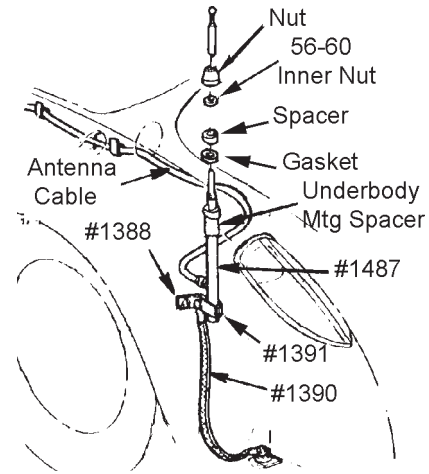
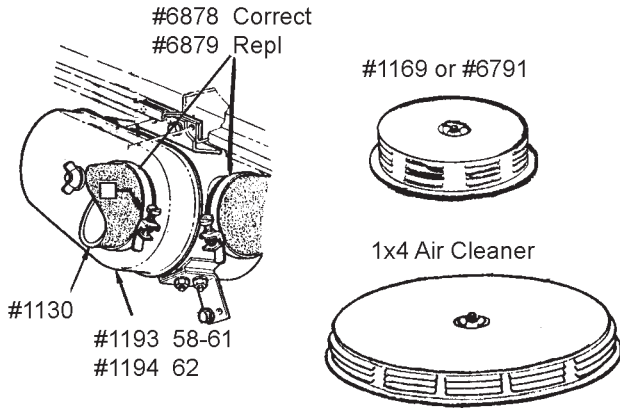
3697	ALL	3M Spray Trim Adhesive	14.95 can
3604	ALL	Trim Adhesive - Brush On, Quart	14.95 Qt ND
1239	ALL	3M Weatherstrip Adhesive - Black	7.95 ea
1240	ALL	3M Weatherstrip Adhesive - Amber	7.95 ea
4940	53-82	Vinyl Dye - Aerosol	17.00 ea
4941	53-82	Vinyl Dye - Quart	59.00 ea ND
5908	63-67	Instrument Needle Fluorescent Orange Touch-Up Paint (3/4 oz. Jar)	4.00 jar ND
9825	63-67	**Dull Aluminum Paint (12 oz. Spray) (63-64 Dash, 63-64 Frosted Hubcaps, 66-67 Grill)	6.50 can
4158	63-72	**Shock Absorber Gray (12 oz. Spray)	6.50 can
6383	63-82	**Rear Spring Gray Paint (12 oz. Spray) ...	7.50 can
5372	ALL	**Stainless Steel Spray Paint (for driveshaft, axles, etc)	7.50 can
5904	ALL	CAST BLAST "The Original"	7.50 can
		Use on cylinder heads, engine blocks and other cast iron parts. Cast Iron Gray. (12 oz spray)	
5906	ALL	Alumi-Blast	7.95 can
		Used to revive any Aluminum part	
5907	ALL	**Chevy Orange Engine Paint	6.95 can
2499	67-82	Rally Wheel Paint (12 oz. Spray)	7.95 can
2498	65-67	**Hubcap and Aluminum Wheel Paint (12 oz. Spray) Dark Gray Color	8.95 can
5276	ALL	**Semi-Gloss Black Paint (Fan Shrouds, Splash Pans, and other metal Parts)	7.00 can
5905	ALL	CAST BLAST 1200 Manifold Coating	9.95 can
		Hi Temp., heat resistant coating ideal for exhaust manifolds. Cast Iron Gray. (12 oz. spray)	
5998	ALL	"Hot Stuff" Exhaust Manifold Dressing	12.95 ea
		• Hi Temp 2400f • Durable Raw Cast Iron Appearance • Brush-On Application- does several manifolds	

Paint marked with ** cannot ship to CA due to environmental regulations.
All paints and hazardous materials cannot be shipped by air.



TOOLS

3999	63-82	Body Lift Sling Kit	79.00 ea ND
2373	68-82	Door Hinge Spring Installation Tool ...	11.95 ea
6369	53-82	Window Crank Handle Remover Tool	4.95 ea
6362	59-67	Screwdriver Tip for Sunvisor Nuts	5.00 ea
5212	53-82	Hog Ring Pliers	7.95 ea
1518	62-74	Distributor Upper & Lower Bushing Installation Tool	8.50 ea
7130	65-82	Brake Pad Installation Tool (set of 2) ..	12.95 set
		Holds the spring loaded caliper pistons in place while new pads are installed, (set of 4 does one caliper - both pads)	
7178	Any	Clutch Pivot Tool for aligning 10 Spline Clutch	5.95 ea
4265	63-82	Rear Wheel Bearing Greaser	9.95 ea
		Designed to get grease to failure prone rear bearing.	
7114	63-82	Rear Trailing Arm Bushing Installation Tool	54.95 ea
		Staking Tool for installing the forward bushing in the rear control arms.	
6390	56-65	Ignition Switch Nut Wrench	8.50 ea
6391	66-67	Ignition Switch Nut Wrench	8.50 ea
7112	61-82	Ignition Switch Nut Wrench (63-67 heater cable, 68-82 headlight switch, 61-62 headlight switch and wiper switch)	10.00 ea
6367	63-82	Spindle Remover (Knocker) Tool	18.95 ea
6368	63-82	Shock Bolt Remover (Knocker) Tool	17.95 ea
6360	63-82	Rear Spindle Installation Tool use this tool to pull the spindle & bearings into the carrier without damage to the bearings, threads or seals	69.95 ea
6372	63-82	Spindle/Rear Axle Bearing Set-up Tool	89.95 ea
		(used to set up proper end play without damage to bearing or rear spindle)	
10055	56-62	Clutch Head Screwdrivers (4)	19.95 set



ANTENNA

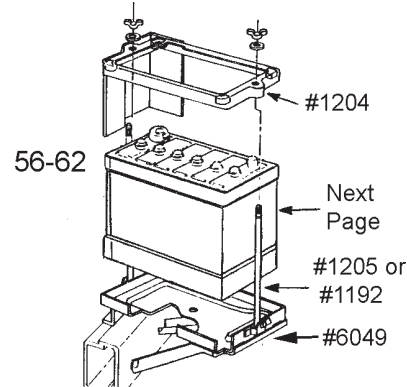
AIR CLEANERS

1168	55-57E	Air Cleaner 1X4 (11").....	INQUIRE
1169	56-57	Air Cleaners 2X4 (6 1/4" diameter).....	239.00 pr
6791	56-57	Air Cleaner - 6 1/4" diameter - correct for 2 x 4 (replacement for 1 x 4)	125.00 ea
1171	57L-60	Air Cleaner 1X4-Sealed Type	209.00 ea
1172	58-60	Air Cleaner 2X4-Sealed Type	209.00 ea
Sealed type air cleaners were used to approx serial #900 in 1960			
1173	60-61	Air Cleaner 2X4-Open Type with Zig Zag Wire Screen & Correct Element	239.00 ea
1174	60-62	Air Cleaner 1X4-Open Type with Zig Zag Wire Screen & Correct Element	219.00 ea
1131	56-62	Wing Nut - Air Cleaner	2.50 ea
1111	60-62	Air Cleaner Foam Element with correct Zig-Zag Wire Screen)	42.50 ea
1154	60-62	Air Cleaner Element Correct Foam Only ..	16.00 ea
1156	60-62	Air Cleaner Element - Correct (ZigZag Screen Only)	28.00 ea
1096	58-62	Air Cleaner to Carb Gasket All 1X4 w/WCFB & AFB	3.50 ea
6875	57-61	Air Cleaner to Carb Gasket w/2X4	4.00 ea
6876	59-62	Air Cleaner Stud w/WCFB 1X4 (exc 62 300-340HP)	7.50 ea
6877	56-61	Air Cleaner Stud w/2X4	3.95 ea
1135	62	Air Cleaner Stud 300-340 HP	7.50 ea

Fuel Injection

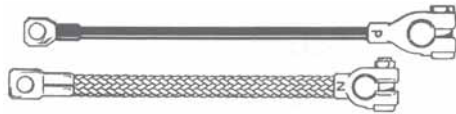
1157	57	FI Air Cleaner w/Element 3-Tube before serial no. 5400	529.00 ea ND
1153	57	FI Air Cleaner w/Element 1-Tube after serial no. 5400.....	INQUIRE
1162	57	Air Cleaner Element w/FI.....	20.00 ea
1129	62	FI Air Cleaner Foam Element	29.00 ea ND
6874	62	FI Air Cleaner Element Screen.....	149.00 ea ND
1130	58-62	FI Air Cleaner Hose (2 pc)	31.50 set
6878	58-62	FI Air Cleaner Hose Clamp - Correct	17.50 ea
6879	58-62	FI Air Cleaner Hose Clamp - Repl.	8.00 ea
6872	60E	FI Air Cleaner Hose Bracket GM #3779822.....	12.00 ea
6868	58-60	FI Air Cleaner Hose Bracket GM #3747809.....	12.00 ea
6873	60-62	FI Air Cleaner Hose Brackets (3 pc set) use on cars built after May 1960	32.00 set
9520	58-62	FI Air Cleaner Hose Screen	21.00 ea

1381	56-60	Antenna Assy. w/Hardware	115.00 ea
1471	56-60	Antenna Nut-Blk. Plastic Cap	8.50 ea
1489	56-60	Inner Metal Nut - (under plastic cap)	2.50 ea
1472	56-60	Antenna Mtg. Spacer	8.95 ea
1473	56-60	Antenna Mtg. Gasket	1.50 ea
1474	56-60	Ant. Underbody Mtg. Spacer	13.50 ea
1382	61-62	Antenna Assy. w/Hardware	105.00 ea
1476	61-62	Antenna Chrome Nut	10.00 ea
1477	61-62	Antenna Chrome Mtg. Spacer	8.50 ea
1478	61-62	Antenna Mtg. Gasket	3.50 ea
1475	61-62	Ant. Underbody Mtg. Spacer	13.50 ea
1388	56-62	Lower Ant. Support Brkt.	7.00 ea
1324	56-62	Antenna Cable w/correct serrated nut ..	29.95 ea
1390	56-62	Antenna Ground Strap	8.00 ea
1391	56-62	Lower Support Bracket Clamp, Bolt, Nut on Antenna (clamps antenna to bracket on inner fender	6.50 ea
1487	61-62	Lower Ant. Tube w/lock washer	20.00 ea
1368	56-62	Long Rear Wire Harness/Antenna Cable Bracket	5.75 ea
1369	56-62	Short Rear Wire Harness/Antenna Cable Bracket	5.75 ea



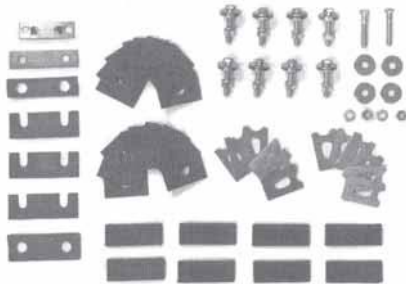
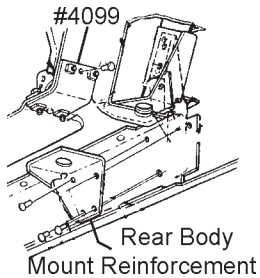
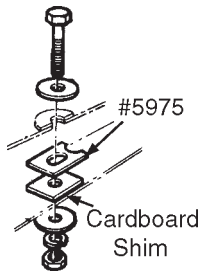
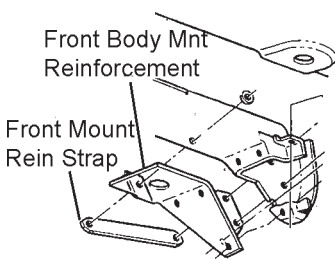
BATTERY TRAYS & RELATED

1200	53-55	Battery Tray - 6 volt	65.00 ea
1201	53-55	Battery Hold Down- 6 volt	28.00 ea
1202	53-55	Battery Hold Down Bolt & Nut Kit - 6 volt ..	8.50 kit
6059	55-61	Battery Tray Set (#6049, 1204 & 1205)	98.50 set LD
10524A	62	Battery Tray Set (#6049, 1204 & 1192)	98.50 set LD
6049	55-62	Battery Tray - Correct Repro	74.95 ea
1204	55-62	Battery Hold Down w/Shield	27.00 ea
1205	55-61	Battery Hold Down Bolt & Nut Kit	7.50 kit
1192	62	Battery Hold Down Bolt & Nut Kit	8.00 kit
1198	56-62	Battery Hold Down Spacers(4 pc set)	3.50 set



Battery Cables and Miscellaneous

6041	55-61	Battery Cables - Correct	78.00 pr
1051	62	Spring Ring Battery Cables	78.00 pr
1041	56-62	Battery Terminal Felts	3.00 pr
6636	ALL	Top Post Battery Disconnect Switch	9.95 ea



BODY MOUNTING KITS & FRAME

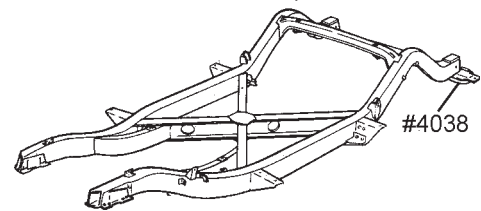
Kits include cushions, correct washers, bolts, cardboard shims, grooved rubber pads and metal shims as required

3900*	53-57	Body Mounting Kit w/Radiator Mtg Kit	75.00 kit
3901*	58-62	Body Mounting Kit w/Radiator Mtg Kit	75.00 kit
* For the CORRECT Bolts order #5984			
5984	56-62	"UR" Body Mount Bolt Set (10 pcs)	21.75 set
3902	53-62	Radiator Support Lower Mounting Kit	15.00 ea
5975	53-62	Body Mount Metal Shims Only (10 pcs) ...	20.00 set
5977	53-62	Body Mount Grooved Rubber Pad Set (8 pcs)	15.00 kit
7165	53-57	Body Mount Cushions Only (10 smooth (flat) rubber shims and 4 round rubber cushions (round cushions are 56-57 only)	22.50 set
7164	58-60	Body Mount Cardboard Shim Set (8 thin and 2 thick)	20.50 set
5976	61-62	Body Mount Cardboard Shim Set CORRECT (10 pcs)	16.50 set
7415	53-62	Body Assembly Rivet - Flat 100 degree Countersunk Head - Aluminum (50 pcs)	8.75 set
7416	53-62	Body Assembly Rivet - Flat 100 degree Countersunk Head - Aluminum (100 pcs)	12.00 set
7417	53-62	Body Assembly Rivet - Round Head Aluminum (50 pcs)	8.75 set
7418	53-62	Body Assembly Rivet - Round Head Aluminum (100 pcs)	12.00 set
3912	56-60	Underbody Retainer Plate Kit (Includes: seat hold down, trunk hinge, gas tank strap plates w/welded nut, gas tank strap retainer, outer seat belt plates w/rivets (22 pcs)	103.00 set
3913	61-62	Underbody Retainer Plate Kit (includes Same as Above) (18 pcs)	97.50 set
4099	56-62	Underbody Seat Belt Nut Plate - Outer Position (2 required)	17.00 ea

BODY MOUNTING (cont.)

2507	56-62	Gas Tank Strap Retainer - Rear	13.00 pr
2508	56-62	Gas Tank Strap Retainer - Front	10.50 pr
4850	58-59	Frnt Body Mount Reinforcement - Alum -Lt	21.00 ea
4851	58-59	Frnt Body Mount Reinforcement - Alum -Rt	21.00 ea
4852	58-59	Frnt Body Mount Rein. Strap, Alum.	11.00 ea
4853	58-59	Rear Body Mount Reinforcement - Alum - Lt	21.00 ea
4854	58-59	Rear Body Mount Reinforcement - Alum - Rt	21.00 ea
4855	60-62	Frnt Body Mount Reinforcement - Steel -Lt	21.00 ea
4856	60-62	Frnt Body Mount Reinforcement - Steel -Rt	21.00 ea
4857	60-62	Frnt Body Mount Reinforcement Strap -Steel	11.00 ea
4858	60-62	Rear Body Mnt Reinforcement, Steel-Lt ...	21.00 ea
4859	60-62	Rear Body Mnt Reinforcement, Steel-Rt ..	21.00 ea

See SEAT Section for More Underbody Rein & Brackets



Frame

3911	53-62	Complete Frame, Specify Year (Repro) (truck shipped)	DISC
4038	53-62	Rear Frame Crossmember.	289.00 ea
4039	53-62	Rear Crossmember Rivet Set	6.00 set

BRAKES & BRAKE LINES

Brake Line Sets

4451	56-62	Steel Brake Line Set	115.00 set
4444*	56-62	Deluxe Steel Brake Line Set (includes lines plus 3 hoses)	149.00 set
8451	56-62	Stainless Steel Brake Line Set w/SS Armor and plated steel nuts	135.00 set
8446*	56-62	Deluxe Stainless Steel Brake Line Set (includes lines plus 3 hoses)	169.00 set

* For an Extra \$70.00 you can also get Master Cylinder Connector Block with Bolt and Washers, Brake Block Left Front, Brake Block Right Front and Brake Block on Rear Axle - Add **HB** to part number.

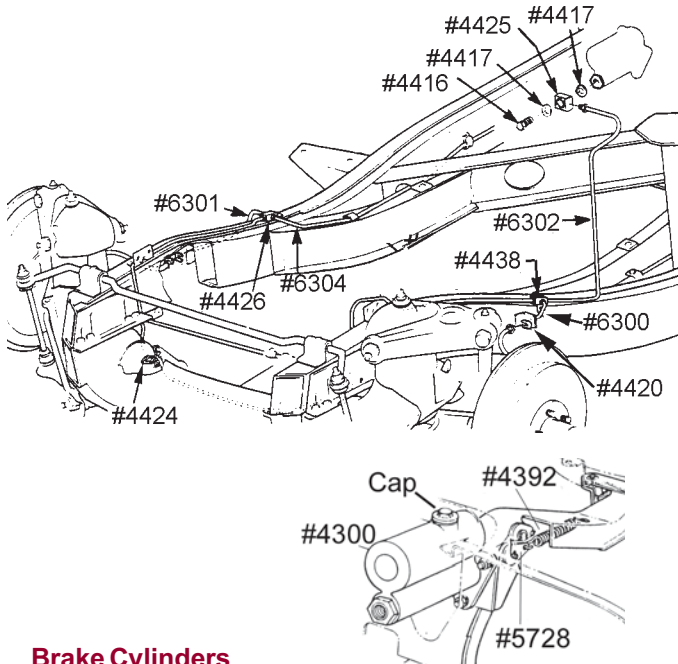
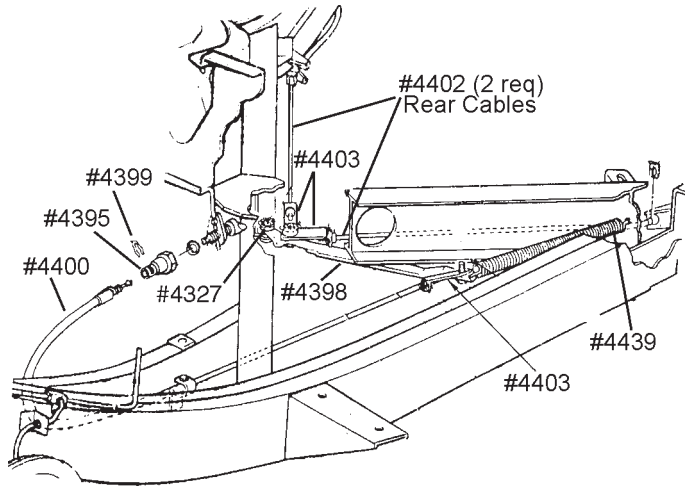
Brake Lines & Clips

All brake lines are Tinned Bundy Weld (TBW) steel tubing with double inverted flares, pressure tested to 2000 psi, prebent to original shape.

6300	56-62	Left Front w/Spiral Armor	13.00 ea
6301	56-62	Right Front w/Spiral Armor.	13.00 ea
6302	56-62	Master Cylinder to 1st Block.	18.00 ea
6303	56-62	Front Crossover w/ 22 Bends Left to Right Side	40.00 ea
6304	54-62	Long Front to Rear.	30.00 ea
6305	56-62	Left Rear Housing Line	22.00 ea
6306	56-62	Right Rear Housing Line	17.00 ea
4470	56E	Double Gas & Brake Line Frame Clip 5/16 ...	4.50 ea
4471	56L-57	Double Gas & Brake Line Frame Clip 3/8	4.50 ea
4481	58-62	Brake & Fuel Line Clips (11 pcs).	28.00 set
4422	58-62	Brake Line Clip-Along Side Frame Rail (Repl.).	2.00 ea
4423	58-62	Brake Line Clip-Along Side Frame Rail (Original).	3.50 ea
4424	53-62	Front Crossover Brake Line Clip (Original).	3.00 ea

BRAKE BLOCKS & HOSES

4425	55-62	Connector Block at Master Cylinder	15.00 ea
4416	55-62	Bolt - Brass Block to Master Cylinder	15.00 ea
4417	55-62	Copper Washer - Connector Blk. at Master Cylinder.....	3.95 pr
4557	55-62	Master Cylinder Connector Block, Bolt & Washers	27.00 set
4438	56-62	Brake Line Brass Connector on Front Frame, Lt.	22.00 ea
4426	56-62	Brake Line Brass Connector on Front Frame, Rt.	22.00 ea
4427	56-62	Brake Line Brass Connector Block on Rear Axle	22.00 ea
4450	56-62	Front Brake Line Block to Frame Bolts "LG" Headmark	2.00 ea
4388	53-62	Rubber Brake Hose (3 req.)	16.00 ea
4420	53-62	Brake Hose "U" Clip - Zinc	1.00 ea
10035	53-62	Brake Hose "U" Clip - Stainless Steel	1.50 ea
4435	56-62	Copper Washer - Brake Hose	1.00 ea



Parking Brake

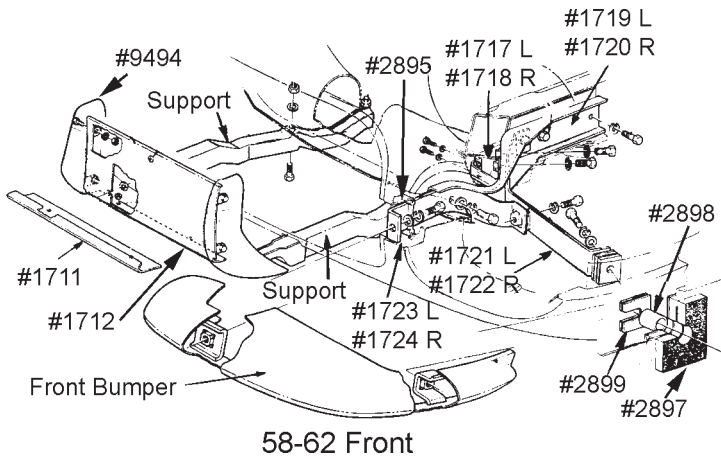
4376	56-62	Parking Brake Cable Kit (1-#4400, 2-#4402, 2-#4421)	109.00 kit LD
4400	53-62	Front Parking Brake Cable (1 req.)	40.50 ea
4402	56-62	Rear Parking Brake Cable (2 req.)	36.00 ea
4421	53-62	Brake Cable "U" Clip	1.60 ea
4403	56-62	Brake Cable "L" Clevis Connector (3 req)	6.00 ea
4399	56-62	Front Parking Brake Cable Retainer Spring Clip on Firewall	7.25 ea
4329	53-62	Rear Parking Brake Cable Boot - Correct .	12.50 pr
4439	56-62	Parking Brake Return Spring-Undercar	10.50 ea
5543	53-57	Parking Brake Handle	23.50 ea
4393	58-62	Parking Brake Handle-White Letters	34.95 ea
4394	58-62	Parking Brake Handle-Black Letters	34.95 ea
4309	58-62	Parking Brake Handle Stop Pin	7.50 ea
4391	53-62	Parking Brake Handle Spring & Pawl Kit	9.50 ea
4395	56-62	Parking Brake Handle Nut on Firewall w/Washer	19.50 ea
4398	56-62	Parking Brake Lever (on Frame)	23.50 ea
4327	53-62	Parking Brake Pivot Weld-On Stud with Nut and Washer	13.00 ea
4835	53-62	Parking Brake Cable Pivot Bolt and Adjust Nut Kit - includes 2 special bolts, 6 castle nuts, 3 washers and 3 cotter pins	13.50 kit

Brake Cylinders

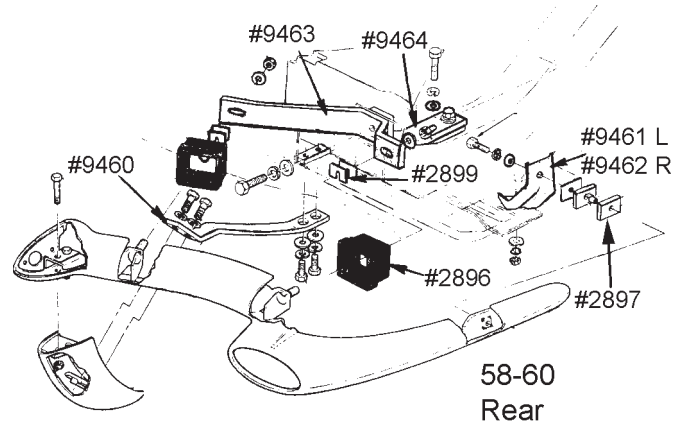
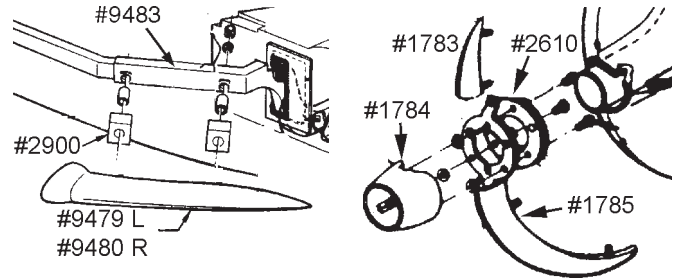
4300	53-62	Master Cylinder-Replacement	79.95 ea
4310	53-62	Master Cyl. Rebuild Kit	21.50 ea
10434	59-61E	Master Cyl. Metal Cap (Cast) - Correct	29.00 ea
4878	61L-62	Master Cyl. Plastic Cap - Correct	15.95 ea
4491	53-61E	Master Cyl. Cap Gasket	3.00 ea
4834	53-62	Master Cylinder to Firewall Seal	4.50 ea
4490	53-62	Master Cylinder Rod Boot	7.50 ea
4324	53-55	Wheel Cylinder, Std. Brakes (Left or Right Rear)	49.00 ea
4320	53-59	Wheel Cylinder, Std. Brakes (56-59 All, 60-62 HD, can be used as a replacement for 60-62 Std) 1 1/8" Lt Front	37.50 ea
4321	53-59	Wheel Cylinder, Std. Brakes (56-59 All, 60-62 HD, can be used as a replacement for 60-62 Std) 1 1/8" Rt Front	37.50 ea
4325	56-62	Wheel Cylinder, Std. Brakes (Lt Rear)	26.00 ea
4326	56-62	Wheel Cylinder, Std. Brakes (Rt Rear)	26.00 ea
4330	60-62	Wheel Cylinder, Std. Brakes 1 3/16" Left Front	54.50 ea
4331	60-62	Wheel Cylinder, Std. Brakes 1 3/16" Right Front	54.50 ea
4337	53-59	Wheel Cyl. Rebuild Kit-Front	12.00 ea
4338	60-62	Wheel Cyl. Rebuild Kit-Front 1 3/16"	15.00 ea
4339	53-62	Wheel Cyl. Rebuild Kit-Rear	12.00 ea

Brake Shoes and Hardware

4312	56-62	Manual Brake & Clutch Pedal Bushing Set (4 pcs)	14.75 set
4313	56-62	Auto Brake Pedal Bushing Set (2 pcs)	9.50 set
4392	53-62	Brake Pedal Return Spring - Underdash	7.25 ea
4355	53-62	Brake Drum Spring - Round Wire Type	11.50 ea
4360	53-62	Front Brake Shoes - Std. (Car Set)	29.50 set
4361	53-62	Rear Brake Shoes - Std. (Car Set)	35.50 set
4821	53-62	Front Brake Shoe Spring Kit: Return Springs, Adjuster Springs & Hold Down Springs, Pins and Cups (one axle set)	15.95 kit
4822	53-62	Rear Brake Shoe Spring Kit: Return Springs, Adjuster Springs & Hold Down Springs, Pins and Cups (one axle set)	16.95 kit
4836	53-62	Parking Brake Levers & Pin Kit	42.00 kit
4831	56-62	Rear Brake Shoe Spreader Bars	28.00 pr
4832	56-62	Rear Brake Shoe Spreader Bar Springs	4.50 pr
4396	56-62	Brake Adjusting Hole Covers - metal (4)	6.50 set
4380	53-62	Adjuster, Brake Shoe (Front or Rear)	12.00 ea
4384	53-62	Link - Brake Shoe to Wheel Cylinder	4.00 ea
5728	56-62	Brake Pedal Pull Back Oval Spring Plate	7.50 ea
4518	ALL	Silicone Brake Fluid - Quart	17.95 Qt



58-62 Front



58-60 Rear

BUMPERS & MOUNTING

Bumpers and Bumperettes

9490	58-60	Front Bumper - Left	425.00 ea
9491	58-60	Front Bumper - Right.....	425.00 ea
9492	61-62	Front Bumper - Left.....	425.00 ea
9493	61-62	Front Bumper - Right.....	425.00 ea
1692	56-57	Front Bumper Crescents	189.00 ea
1782	56-57	Front License Bumperette Assy	Disc.
1702	56-57	Front License Bumperette	Disc.
1703	53-57	Front License Bar - Guide Stamped	39.00 ea ND
1704	53-57	Front License Bumperette Support Tubes w/Brackets (4 pc set)	86.50 set LD
1701	53-57	Bumperette Support "U" Bracket ONLY	20.00 pr
10080	58-62	Front License Bumperette Assy (#9494, #1711 and #1712) (4 pcs)	165.00 set
1787	58-60	Front License Bumperette Assy. Complete w/Supports (6 pcs)	229.00 set
1787SQ	58-60	Front License Bumperette Assy. Complete w/Supports (Show Quality).....	275.00 set
1793	61-62	Front License Bumperette Assy. Complete w/Supports (6 pcs)	229.00 set
9494	58-62	Front License Bumperette	124.00 pr
9494SQ	58-62	Front License Bumperette - Show Quality.....	159.00 pr
1711	58-62	Front License Lower Bar	21.00 ea
1712	58-62	Front License Backplate.....	43.00 ea
1708	58-60	Front Lic. Bumperette Supports	65.00 pr
1795	61-62	Front Lic. Bumperette Supports	65.00 pr
1710	58-62	Bumperette to Support Spacer (2 req.)	3.00 ea
1761	57-79	Rubber Bumper - Front License Plate NOS ..	3.00 ea

Rear Bumper & Related

9479	56-57	Rear Inner Horizontal Bumper - Lt	275.00 ea
9480	56-57	Rear Inner Horizontal Bumper - Rt	275.00 ea
1705	56-57	Rear Exhaust Chrome Set (6 pcs) with Insulators in Bumper	519.00 set ND
1783	56-57	Rear Exhaust Chrome Upper	62.00 ea
1784	56-57	Rear Exhaust Chrome Center	104.00 ea
1785	56-57	Rear Exhaust Chrome Lower	131.50 ea
2610	56-57	Tail Pipe Retainer in Bumper	39.00 pr
9465	58-60	Rear Lower License Bumperette	DISC
1779	56-60	Rear License "T" Bracket.....	14.75 ea
9495	56-60	Rear Lic. "T" Brkt "TR" Bolt & Spacer Kit ..	11.00 kit
1760	56-60	Rubber Bumper for Rear License Plate	1.50 ea
2130	56-57	License Lamp Assembly w/fasteners	96.50 set
2120	58-60	License Lamp Assembly w/fasteners	96.50 set
1938	53-62	Stainless License Plate Frame - Clip On ..	15.95 ea

Bumper Braces & Bumperette Brackets

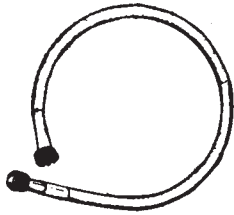
9483	56-57	Rear Horizontal Center Brace	57.50 ea
1719	58-62	Front Bumper Main Brace-Lt.	67.00 ea
1720	58-62	Front Bumper Main Brace-Rt.	67.00 ea
1721	58-62	Frt Bumper Brace to Side Fender - Lt	34.00 ea
1722	58-62	Frt Bumper Brace to Side Fender - Rt.	34.00 ea
1723	58-62	Front Bumper Brace Inner-Lt.	19.00 ea
1724	58-62	Front Bumper Brace Inner-Rt.	19.00 ea
1717	58-62	Front Bumper Brace - Front Crossmember to Main Brace - Lt.	21.00 ea
1718	58-62	Front Bumper Brace - Front Crossmember to Main Brace - Rt.....	21.00 ea
9460	58-60	Rear Lower Bumperette Bracket.....	46.50 ea
9461	58-60	Rear Outer Bumper Bracket - Lt (58 Repl) ..	32.00 ea
9462	58-60	Rear Outer Bumper Bracket - Rt (58 Repl) ..	32.00 ea
9463	58L-60	Rear Inner Bumper Bracket (58 Repl).	52.00 ea
9464	58L-60	Rear Bumper Bracket Brace to Frame	39.00 ea

Bumper Mounting Hardware & Seals

8506	53-57	Front License Bumperette Bolts, Zinc Plated (28pcs)	6.95 set
8507	58-62	Front License Bumperette Bolts, Zinc Plated (42 pcs)	7.95 set
1786	58-60	Bumper Cushion Mtg. Kit (Frt. or Rr)	15.00 kit
1786	61-62	Bumper Cushion Mtg. Kit - Front	15.00 kit
8501	58-62	Front Bumper Bolts, Zinc Plated (40 pcs) ..	15.95 set
8502	58	Rear Bumper Bolts, Zinc Plated (66 pcs) ..	16.95 set
8503	59-60	Rear Bumper Bolts, Zinc Plated (60 pcs) ..	15.95 set
8504	61-62	Rear Bumper Bolts, Zinc Plated (76 pcs) ...	18.00 set
2900	56-57	Rear Center Bumper Mount (Set of 4)	18.00 set
2899	58-62	Shim-Front & Rear Bumper (20 pcs)	12.00 set
2895	58-62	Seal-Front Bumper Brace.	7.00 ea
2896	58-60	Seal-Rear Bumper Brace.....	11.00 ea
2897	58-62	Cushion-Frt. & Rear Bumper	3.00 ea
2898	58-62	Spacer-Frt. & Rear Bumper.....	2.00 ea

See Also Lights & Lamp Section

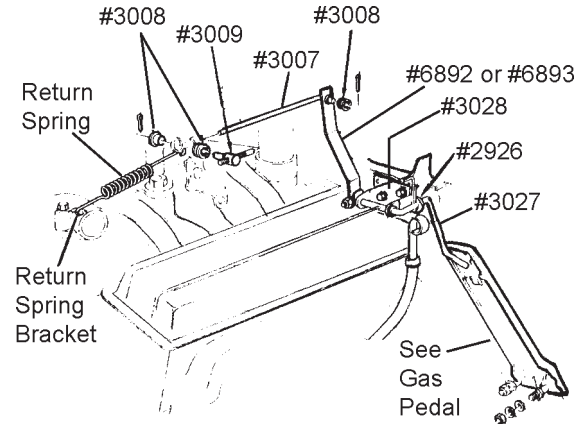
CABLES



#1521



1500	53-55	Tach Cable, 6 Cyl. (Flag Drive).....	44.50 ea
1501	55-57	Tach Cable (Steel Case)	28.50 ea
1502	58-59	Tach Cable (Steel Case) 60"	29.50 ea
1536	60-61	Tach Cable (Gray Case) 61"	29.95 ea
1526	62	Tach Cable (Gray Case) 32"	29.00 ea
1503	58-61	FI Tach Cable - includes firewall seal	75.00 ea
1528	62	FI Tach Cable w/boot (gray case)	46.00 ea
1519	58	Tach Cable Grommet w/FI	20.00 ea
1521	62	Tach Cable Boot w/retainer	20.00 ea
1507	53-62	Tach or Speedo Cable Repair Kit	10.00 ea
1530	53-55	Speedo Cable (Steel Case) 68"	30.00 ea
1538	56-59	Speedo Cable 3 sp (Steel Case) 60"	30.00 ea
1539	56-59	Speedo Cable 4 sp (Steel Case) 62"	30.00 ea
1530	56-59	Speedo Cable (56-59 Auto, 56-62 Muncie) (Steel Case) 68"	30.00 ea
1536	60-62	Speedo Cable exc Muncie(Gray Case)61"	29.95 ea
1233	53-62	Tach & Speedo Cable Grommet 7/8"	2.50 ea
1551	57-62	FI Drive Cable - inner flex shaft only 6 3/4"	27.00 ea
1624	57-62	FI Drive Cable - inner flex shaft only 6 5/16"	27.00 ea



Carburetor Linkage & Springs

1238	56-61	Carb Linkage Kit w/2X4	57.00 set
Above kits contain: Main rod w/swivel & clevis, slider & bolt, 2 springs, 2 brackets and retainers.			
3007	55-62	Accelerator Rod w/1X4.	13.00 ea
3008	56-62	Bushing w/Insert - Accelerator Rod..	2.00 ea
3009	56-62	Swivel - Accelerator Rod.....	6.50 ea
8401	56-62	Accel Rod Installation Kit (2 bushings with inserts, 1 swivel (correct), 1 cotter pin	8.00 kit
2998	55-62	Accel. Return Spring 1X4 (Green) Fits all exc. 62 340 HP & FI).....	8.50 ea
3073	62	Accel. Return Spring w/340 HP (White)	8.50 ea
3002	56-61	Accel. Return Spring Front w/2X4 (Black) ...	9.75 ea
3003	56-61	Accel. Return Spring Rear w/2X4 (Silver)	9.75 ea
6887	57-58E	FI Accel. Return Spring Secondary.	14.00 ea
6888	57-62	FI Accel. Return Spring Primary (Silver) ..	14.00 ea
6889	59-62	FI Accel. Return Spring Bracket	11.00 ea
3004	56-62	Accel. Return Spring Bracket -56-61 1x4 (62 250/300HP before 3-7-62)	8.00 ea
3070	62	Accel Return Spring Bracket - fits 62 250/300HP after 3-7-62)	8.00 ea
3006	62	Accel. Return Spring Bracket w/340 HP.	11.00 ea
6895	57-61	Accel Return Spring Bracket 2x4 - SS	9.00 ea
2926	56-62	Accel. Linkage Seal at Firewall..	9.00 ea
6892	56-57	Accel. Arm at Firewall exc. FI	32.00 ea
6893	58-62	Accel. Arm at Firewall.	22.00 ea
3027	58-62	Accel Pedal Pivot Rod	30.00 ea
3028	58-62	Accel Pedal Pivot at Firewall	16.00 ea
3042	58-62	Accel Pedal Pivot Nut Plate	9.00 ea

CARBURETOR & RELATED

Carburetor Gaskets & Related

6891	55-62	Carb Mounting Studs & Nuts 1X4	5.50 kit
6894	56-61	Carb Mounting Studs & Nuts 2X4	11.00 kit
6896	62	Carb Mounting Studs & Nuts 300HP	5.50 kit
6871	55-57	Gasket, Carb to Air Cleaner w/WCFB 1X4 ..	4.50 ea
1096	58-62	Gasket, Carb to Air Cleaner 1X4 w/WCFB or AFB	3.50 ea
6875	56-61	Gasket, Carb to Air Cleaner 2X4	4.00 ea
6870	56-61	Carb to Manifold Gasket, All WCFB exc. 2X4	5.50 ea
6890	57-61	Carb to Manifold Gasket, All 2X4 WCFB ..	10.00 pr
6897	62	Carb to Manifold Gasket, 250 HP & WCFB ..	4.00 ea
6882	62	Carb to Manifold Gasket, w/300 HP & AFB ..	6.50 ea
6880	62	Heat Baffle Metal Gasket w/300 HP & AFB ..	8.00 ea
6881	62	Heat Insulator Spacer w/300 HP & AFB ...	28.00 ea
6883	62	Carb to Manifold Gasket, w/340 HP & AFB ..	8.00 ea
6885	56-62	Intake Manifold Gasket Set exc FI - correct charcoal color	22.00 set
6869	57-62	Intake Manifold Gasket Set w/FI - correct charcoal color	24.00 set
6725	55-57	Front Carb Vacuum Plug - Slotted	6.00 ea
6726	58-62	Front Carb Vacuum Plug - Hex	6.00 ea
6727	55-57	Rear Carb Vacuum Take-Off 1X4 or 2X4 ..	10.50 ea
6728	58-62	Rear Carb Vacuum Take-Off w/1X4, 2X4 or FI	10.50 ea
6830	56-61	Rear Brass Vent Tube on Carb	18.00 ea
6831	56-61	Front Brass Vent Tube on Carb	18.00 ea

Used on 2X4 Carb, located above air horn, 2 required per Carb

Carburetor Rebuild Kit

6827	55-61	Carb Kit WCFB (55-57 all, 56-61 w/2x4) ..	34.95 ea
6810	58-62	Carb Kit WCFB w/1X4	34.95 ea
6811	62	Carb Kit w/AFB	30.00 ea



1096



6870



See Next Page

CARBURETOR (cont.)

Choke Tubes - Steel

6500	55	195 HP	11.00 ea
6501	56	210 HP	10.00 ea
6502	56-61	w/2X4 (56 with 3 bolt manifold)	10.00 ea
6503	57-58	220, 230 HP, WCFB, Top Choke	10.00 ea
6504	59-62	230, 250 HP, WCFB, Bottom Choke	10.00 ea
6505	62	w/300 & 340 HP	10.00 ea

Choke Tubes - Stainless Steel

6525	57-62	Choke Tube Inside Exhaust Manifold - S/S	14.00 ea
8402	56-61	w/2X4	13.00 ea
8403	57-58	220, 230 HP	13.00 ea
8404	59-62	230, 250 HP	13.00 ea
8405	62	62 w/300-340 HP	13.00 ea

Choke Covers and Related

6494	57-62	WCFB Choke Cover 1X4	39.00 ea
6495	62	AFB Choke Cover	39.00 ea
6496	55-62	Choke Internal Spring Only - WCFB	6.00 ea
6497	55-62	Choke Cover Internal Disc w/Retainer & Spring	34.00 ea

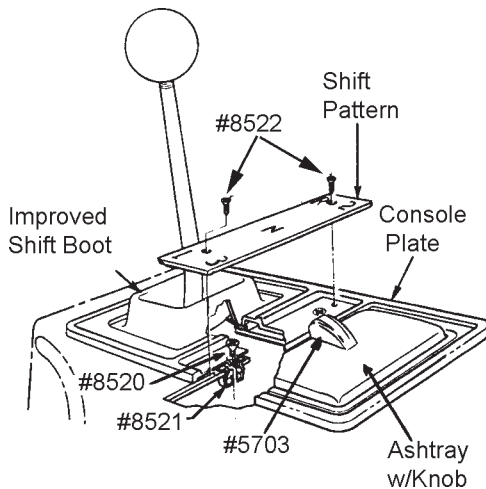
Clean Air Tubes

Tube from beneath exhaust manifold to top of engine.

6520	62	Steel Clean Air Tube w/Bracket	29.00 ea
8420	62	Stainless Steel Clean Air Tube w/Bracket	27.50 ea
8422	62	Attaching Stud - Clean Air Tube	6.00 ea
8423	62	Clean Air Hose with one raised rib	3.00 ea

Vacuum Advance Lines, Stud & Hose

8442	55-58	Vacuum Adv. Line 210, 220, 230 HP -Steel	21.00 ea
6530	59-61	Hollow Stud at Carb all exc FI 2 3/16"	9.00 ea
6528	62	300HP Hollow Stud at Carb 2 1/2"	9.00 ea



CONSOLE

5527	56-60	Shift Tunnel Repair Panel	129.00 ea
5522	58-62	Center Radio/Heater Console Fiberglass Repair Panel - press molded	99.00 ea
5510	56-62	Console Plate, All Auto & 3sp & 57-58 4sp	27.95 ea
5512	59-62	Console Plate, 4sp	27.95 ea
8520	56-62	Shifter Console Plate Screws	2.00 pr
8521	56-62	Shifter Console Plate Nuts	6.50 pr

5520	56-62	3sp Shift Pattern Indicator w/screws	12.95 ea
5524	57-62	4sp Shift Pattern Indicator w/screws	12.95 ea
5523	56-57	Auto Shift Pattern Indicator w/screws	12.95 ea
5525	58-61	Auto Shift Pattern Indicator w/screws	12.95 ea
5526	62	Auto Shift Pattern Indicator w/screws	12.95 ea
8522	56-62	Shift Pattern Screws	2.00 pr
5700	56-62	Improved Shifter Boot w/Wire Reinforcement Fits All Auto & 3sp and 57-58 4sp	23.00 ea
5702	59-62	Improved Shifter Boot w/Wire Reinforcement Fits 59-62 4sp only	22.00 ea
5514	53-60E	Ashtray w/Correct Knob, small snuffer, w/o cigarette holder	30.00 ea
5669	60L-62	Ashtray w/Correct Knob, large snuffer, with cigarette holder	24.00 ea
5703	56-62	Ashtray Knob	9.25 ea
5495	58-62	Chrome Insert Plate for Clock/Heater	99.00 ea
5497	58-62	Radio Console Lower Molding at Carpet	40.00 ea
5704	58-62	Dash Pad Retaining Upper Console Molding	44.95 ea
8523	58-62	Upper & Lower Console Trim Screws	4.50 set

CONVERTIBLE TOP & DECK LID

Convertible Tops & Related

Convertible Top Kits include: original type 40 oz. Vinyl, Pads Straps, Finish Strip w/Tips, Correct Window, and instructions

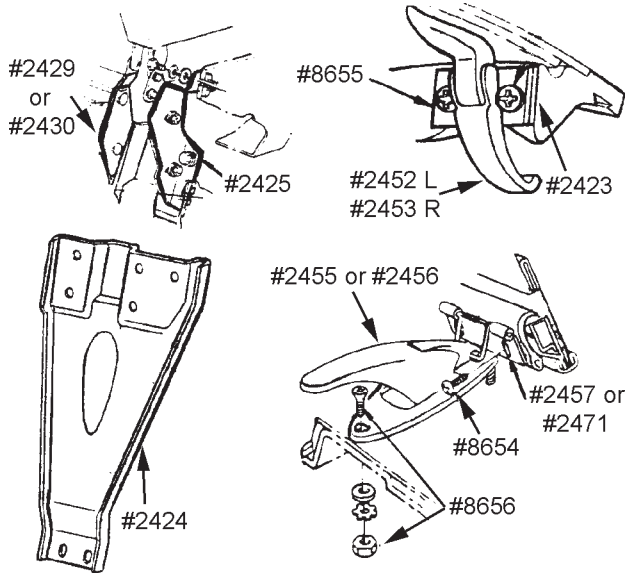
3061	56-57	Convertible Top Kit - Beige	285.00 kit ND
3165	56-58	Convertible Top Kit - White	285.00 kit ND
3105	56-58	Convertible Top Kit - Black	285.00 kit ND
3131	59	Convertible Top Kit - White	350.00 kit ND
3168	59	Convertible Top Kit - Black	350.00 kit ND
3106	60	Convertible Top Kit - Black	350.00 kit ND
3124	60	Convertible Top Kit - White	350.00 kit ND
3107	61-62	Convertible Top Kit - Black	350.00 kit ND
3125	61-62	Convertible Top Kit - White	350.00 kit ND
10461	56-62	Date Stamping Available - Specify serial number or month and year desired	90.00 ea ND
3121	56-62	Black Canvas Pad	48.00 pr
3130	56-75	Black Canvas Straps (Fits each side of rear window)	30.00 pr
3135	58-62	Rear Window Hold Up Straps	14.95 pr
3140	56-62	Black Mohair Boot Liner - (protects rear window)	29.00 ea
3141	56-62	Tack Strips - Replacement (plastic)	42.00 set
10462	61-62	Tack Strips - Replacement (plastic)	42.00 set
3755	56-60	Tack Strips - Correct Fiberboard	45.00 set
3785	61-62	Tack Strips - Correct Fiberboard	40.00 set
2751	61-62	Rear Bow Weatherstrip Hold in Cord	6.00 ea
8662	56-62	Conv. Top Pad Screw and Washer Set	12.00 set
3117	56-62	Conv. Top Rear Window Trim Bead S.S. End Caps (Correct) w/S.S. #4-40 Screws	9.50 pr
9187	All	Conv Top Window Pillow	15.95 ea

Convertible Top Frames and Assemblies

9993	56-62	Conv Top Frame - Specify Year	2150.00 ea ND
9961	56-62	Conv Top Frame Assembly - Specify Year Includes conv top frame, correct conv top kit, front latches and plates, front pins, rear latches on top, frame mtg bolt kit, hold up straps, pad screws, weatherstripping w/retainers and hardware (top and weatherstrip must be installed)	3129.00 kit ND
9973	56-60	Conv Top Bracket Set (6 pcs)	309.00 set ND
9974	61-62	Conv Top Bracket Set (6 pcs)	309.00 set ND

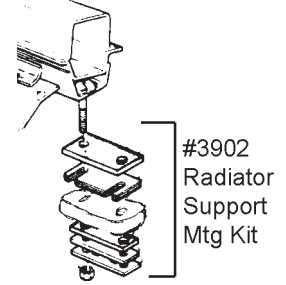
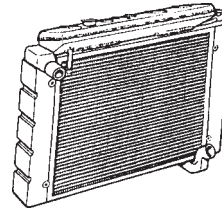
Convertible Top Tabs - See Interior Section
Weatherstripping - See Weatherstrip Section

CONV TOP & DECK LID (cont.)



Convertible Top & Deck Lid Hardware (cont.)

2452	56-62	Conv Top Frt Latch- Short Handle- Lt	112.95 ea
2453	56-62	Conv Top Frt Latch- Short Handle- Rt	112.95 ea
2423	56-62	Front Conv Top Latch Adjuster Plates with Screws & Washers	38.95 pr
8655	56-62	Front Conv Top Latch Screws & Washers ..	4.50 set
2455	56-57	Rear Conv Top Latch on Deck Lid w/ Studs..	124.00 ea
2456	58-62	Rear Conv Top Latch on Deck Lid w/Holes..	124.00 ea
8656	58-62	Screw, Nut & Washers for Rear Conv Top Latch..	5.50 set
2458	56-62	Rear Soft Top Latch on Deck Gaskets	3.00 pr
2457	56-60	Rear Swing Latch on Conv Top w/Adj. Plates..	85.00 pr
2471	61-62	Rear Swing Latch on Conv Top	85.00 pr
8654	56-62	Conv. Top Rear Swing Latch to Frame Chrome Screws (4)..	7.50 set
2454	56-62	Guide Pin - Front Conv Top	7.00 ea
2415	56-60	Conv Top Rear Bow-Correct Steel Repro	329.00 ea
9873	61-62	Conv Top Rear Bow	329.00 ea
2957	56-62	Pivot Screw, Conv Top Frame Side Rails ..	4.00 ea
9874**	56-60	Conv Top Frame Rebuild Hardware Kit	109.00 set
9852**	61-62	Conv Top Frame Rebuild Hardware Kit	109.00 set
** Include Bolts, Nuts, Bushings, Pins & Clips			
9973	56-60	Conv Top Bracket Set (6 pcs)	309.00 set ND
9974	61-62	Conv Top Bracket Set (6 pcs)	309.00 set ND
2424	56-62	Conv Top Lwr.Support Mount Plates	169.00 pr
2425	56-62	Inner Conv Top Mount Brackets..	85.00 pr
2429	56-60	Outer Conv Top Mount Brackets..	87.00 pr
2430	61-62	Outer Conv Top Mount Brackets..	87.00 pr
2427	56-62	Conv Top Frame Mounting Bolts, Nuts & Washers	13.50 set
2126	57-62	Deck Lid Push Button Bezel	15.75 ea
2127	57-62	Deck Lid Release Push Button	17.75 ea
2603	58-62	Deck Lid Open Push Button Rod w/clip	14.50 ea
1230	56-62	Conv Deck Lid Rubber Bumpers	3.00 pr
8627	56-62	Conv Deck Lid Bumper Screws	1.50 pr
9875	56-62	Deck Lid Hinge Shim Set (6 pc)	13.00 set
8636	53-58	Deck Lid Hinge "TR" Bolt Set (6 pcs)	15.50 set
8648	59-62	Deck Lid Hinge Bolt Set - Repl (6 pcs)	7.00 set
2604	58-62	Male Deck Lid Pop-Up Spring	9.75 ea
9509	56-60	Trunk/Deck Lid Hinge Spring Set (4 pcs) ..	31.00 set
9510	61-62	Trunk/Deck Lid Hinge Spring Set (4 pcs) ..	31.00 set



COOLING SYSTEM

Radiators & Related

#3698, #3363, #3333 and #3314 are Fully Detailed (beware not all companies sell them fully detailed) Painted, OEM drain assembly, stickers, labels, inspection stamp & date coding when applicable. Five Year manufacturer's warranty. **SPECIFY DATE** when ordering.

3698	60-61	Aluminum Exact Repro Radiator (Top Tank) Fully Detailed and Dated	945.00 ea ND
3363	61	Aluminum Exact Repro Radiator - Fully Detailed and Dated	829.00 ea ND
3333	62E	Aluminum Exact Repro Radiator - Fully Detailed & Dated (up to serial #9000)	829.00 ea ND
3314	62L	Aluminum Exact Repro Radiator - Fully Detailed & Dated (after serial #9000)	829.00 ea ND

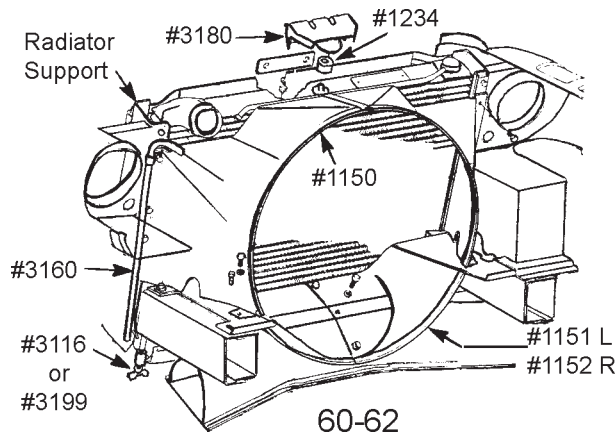
Direct - Fit Radiators require no modifications to install. They offer 2 rows of 1" tubes and press formed end tanks. This doubles their cooling capacity of the original single row units.

3300	55-60	Direct-Fit Aluminum Radiator	589.00 ea
3388	61-62	Direct-Fit Aluminum Radiator	519.00 ea
3360	56-61E	Brass Reproduction Radiator.	369.00 ea
3361	61L-62	Brass Reproduction Radiator (18 1/2" Wide - Separate Tank	369.00 ea
10164	55-57	Radiator Mounting Strap	115.00 ea
10165	58-60	Radiator Mounting Strap	115.00 ea
1267	61-62	90 Degree Top of Water Pump Fitting	16.00 ea
3116	56-62	Brass Radiator Draincock w/Hose	7.50 ea
3199	60-62	Aluminum Radiator Drain Cock	16.50 ea
3111	60-62	Aluminum Radiator Drain Pipe	12.50 ea
3112	60-62	Aluminum Radiator Drain Pipe Connector ...	12.50 ea
3349	53-57	Radiator Support Assy..	279.00 ea
3350	58-60	Radiator Support Assy..	279.00 ea
3316	60-61E	Radiator Support Assy w/Top Tank Rad also used on 61's w/60 style brass rad	335.00 ea
3351	61L-62	Radiator Support Assy (61 after #1500)..	339.00 ea
3005	56-62	Radiator & Support Mount "E" Bolt Set (8) ..	8.00 set
3699	58-62	Core Support Extension - Specify Left or Right	72.00 ea
9234	58-62	Lower Radiator Baffle - Fiberglass	75.00 ea
3171	56-57	Lower Radiator Baffle to Support Mount Bracket	46.50 ea
3366	58-60	Lower Radiator Baffle to Support Mount Bracket..	46.50 ea
3180	61-62	Top Radiator Mount Bracket w/Cushion & Retainer..	51.50 ea
1234	61-62	Round Radiator Cushions (3 pcs).	4.50 set
1235	58-62	Radiator Support Seal Set Lower (3 pcs)	8.00 set
1236	58-62	Radiator Support Side Seals w/Hi Perf	8.00 pr
3902	53-62	Radiator Support Lower Mounting Kit.	15.00 kit
3160	56-60	Radiator Overflow Hose (will also fit 60-61 Top Tank Radiators)	7.50 ea

Radiator & Heater Hose Clamps - see also Heater

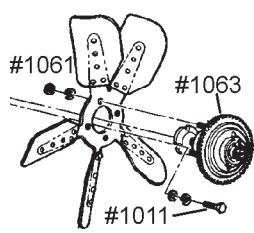
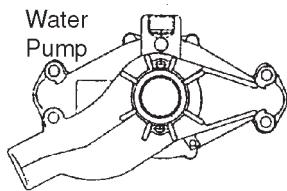
1630	56-58	Clamps All V-8 (with all 5/8" heater hoses).	11.50 set
1631	58-59E	Clamps to 59 S/N 2990 Approx.	11.50 set
1632	59L-60	Clamps After 59 S/N 2990 Approx	22.00 set
1633	61-62	Clamps - All	30.00 set

COOLING SYSTEM (cont.)



Fan Shrouds, Blades & Related

3184	56-59	Complete Fan Shroud w/Screws (Upper & Lower - 4 pc set)	235.00 set LD
3185	60-62	Complete Fan Shroud w/Screws (Upper & Lower - 3 pc set)	269.00 set
1148	56-59	Upper Fan Shroud (Wide)	179.00 ea
1149	56-59	Lower Fan Shroud - 3 pc set	89.00 set
1150	60-62	Upper Fan Shroud	189.00 ea
1151	60-62	Lower Fan Shroud - Lt.	47.00 ea
1152	60-62	Lower Fan Shroud - Rt.	47.00 ea
8544	56-59	Lower Fan Shroud Assembly Screws	6.50 set
8545	60-62	Lower Fan Shroud Assembly Screws	5.00 set
8635	58-62	Lower Fan Shroud to Frame Bolt Set (4)	4.50 set
3005	56-62	Fan Shroud & Core Support Bolt Set w/correct "E" Headmark (8 pc)	8.00 set
1146	56-57E	Fan Blade - New Repro (correct)	84.00 ea
1147	57L-60	Fan Blade - New Repro (flipped end)	84.00 ea
1061	60-62	Fan Blade - Clutch Type	75.00 ea
3036	53-60	Fan Blade to Water Pump Bolt "WB" (4 pcs)	6.00 set
1063	60-62	Fan Clutch	119.00 ea
1011	60-62	Fan Clutch to Water Pump - Fine Thread Bolts (4)	7.00 set
8633	60-62	Fan to Fan Clutch Stud Set (4 pcs)	6.00 set
1074	58-62	Reinforcement - for Water Pump Pulley	7.00 ea



Water Pumps, Radiators & Related

3357	56	Rebuilt Water Pump #3704911 w/BOSS	DISC
3358	57-60	Rebuilt Water Pump #3736493	DISC
3668	56-62	Water Pump Rebuild Kit	38.50 kit
3354	56-62	Water Pump Mounting Gaskets	3.00 pr
3076	55-57	Water Pump Attaching "TR" Bolt kit (4 pcs)	8.00 set
3077	58-62	Water Pump Attaching Bolt Kit (includes Generator Adj Brace Stud + 3 TR Bolts) ..	17.00 set
1139	58-62	Generator Adjusting Brace/Water Pump Attaching Stud	11.00 ea

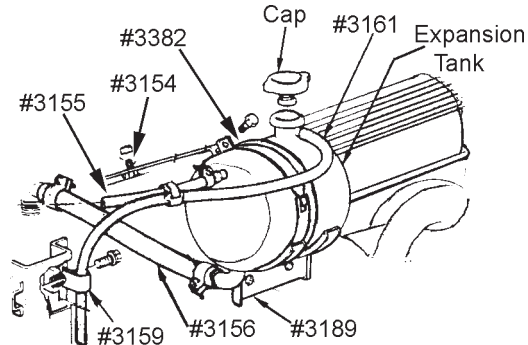
Fittings for Water Pump - See Heater Section

Radiator Hoses

3313	56-60	Upper Rad. Hose 2X4 or FI Correct w/ GM #3728490	27.50 ea
3317	56-60	Upper Rad. Hose 1X4 Correct w/ GM #3715184	32.50 ea
3306	60-61	Upper Rad. Hose w/Top Tank Alum Rad Correct w/ GM #3777482 and Logo	28.50 ea
3318	61-62	Upper Rad. Hose 2X4, FI or 62 340 HP w/ GM #3788192	32.50 ea
3305	61-62	Upper Rad. Hose 1X4 Correct w/GM #3788191 and Logo, except 62 340HP ..	24.50 ea
3330	55-57	Lower Rad. Hose Correct w/ GM #3715183	32.50 ea
3331	58-62	Lower Rad. Hose Correct w/ GM #3754505	25.00 ea

Thermostat Housings

3108	55-62	Cast Iron Thermo Housing 230, 250, 300 HP Correct #3711268	55.00 ea
3104	55-62	Thermostat Housing Bolt Kit "TR" Headmark for #3108	5.00 pr
3164	56-62	Cast Aluminum Thermostat Housing Correct (56-61 2x4 or FI and 62 340 HP or FI)	45.00 ea
3173	56-62	2X4 & FI Thermostat Housing Stud Set SS ..	8.00 pr
3113	56-62	2X4 & FI Thermo Housing Stud Set- Steel ..	4.50 pr
3139	53-62	Thermo Housing Gasket - GM	2.50 ea



Expansion Tank & Related

3196	61-62	Expansion Tank with Pressed in Tubes w/Correct Date (Specify Date)	179.00 ea LD
3162	61-62	Expansion Tank w/welded in tubes No Date - Replacement	159.00 ea
3189	61-62	Expansion Tank Support Bracket on Exhaust Manifold	85.00 ea
3382	61-62	Expansion Tank Strap	10.00 ea
3154	61-62	Stud on Intake - Exp. Tank Bracket	5.00 ea
3161	61-62	Overflow Hose - for Expansion Tank	7.00 ea
3159	61-62	Retainer Clamp - for Overflow Hose	4.00 ea
3155	61-62	Expansion Tank to Radiator Hose	7.50 ea
3156	61-62	Expansion Tank to Water Pump Hose	7.50 ea
3157	61-62	Expansion Tank Repair Tubes (3 pc set) ..	20.00 set

Radiator & Expansion Tank Caps

3355	56-57	Radiator Cap (Correct "SM" Logo 7#)	35.00 ea
3356	58-60E	Radiator Cap (549-7#, RC-1) w/Copper Radiator	35.00 ea
3367	60-61	Alum Rad Cap (AC-362, 13#) w/Top Tank ..	40.00 ea
3368	61E	Alum Rad Cap (RC 306, 13#) exc. Top Tank	44.00 ea
3369	61L-62	Rad Cap - Expansion Tank (AC 307, 13#) ..	35.00 ea
3370	55-60	Rad. Cap All V-8 7# - REPLACEMENT	12.00 ea
3371	58-59	Rad. Cap w/FI 13# - REPLACEMENT	12.00 ea
3372	61-62	Rad/Exp Tank Cap (S.S.) - REPL.	16.50 ea

DASH



60-62 Dash Insert



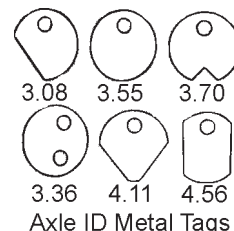
56-57 58-60 61-62

5493	58	Aluminum Dash Insert	59.00 ea
5494	59	Aluminum Dash Insert	59.00 ea
4526	60-62	Aluminum Dash Insert w/Prepunched Bar Holes	59.00 ea
4527	60-62	Alum Dash Insert Red & Blue Bars w/Nuts	39.00 pr
4528	58-59	Dash End Caps, Stainless Steel	42.50 pr
5496	59-62	Dash End Caps, Steel (paint to match)	30.00 pr
8525	58-62	Dash End Cap Screws (4)	2.50 set
Grab Bars Units, Covers and Brackets - See Interior Section			
5501	59-62	Package Tray - Press Molded	75.00 ea
8527	59-62	Package Tray Screws (19).....	6.75 set
5502	59-62	Package Tray Trim	19.00 ea
5503	58-62	Package Tray Support/Fiberglass Heater Cover - Press Molded	75.00 ea
8528	58-62	Package Tray Support/Heater Cover Screws (6)	4.50 set
5389	59-62	Package Tray Brackets (set of 3).....	10.00 set
5386	58-60	Cigarette Lighter w/Knob &Chrm Spacer ...	29.50 ea
5388	58-60	Cigarette Lighter Chrome Spacer	7.50 ea
5387	61-62	Cigarette Lighter w/Knob	29.50 ea
5348	55-62	Cigarette Lighter Lamp w/Shield	16.00 ea
5301	56-57	Cigarette Lighter Complete Assembly w/Knob, Housing & Nut	35.50 ea
4534	58-62	Cigarette Lighter Housing in Dash w/Light & Wire less Knob & Spacer (61-62 Repl)	28.00 ea
5495	58-62	Chrome Insert Plate for Clock & Controls	129.00 ea
5497	58-62	Radio Console Lower Molding at Carpet ...	40.00 ea
5384	56-57E	Ignition Plastic Indicator w/Chrome Bezel ...	10.00 ea
5383	57L	Ignition Plastic Indicator	10.95 ea
5450	58-60	Dash Indicator Backplates (4 pc set)	33.00 set
5454	58-62	Ignition Backplate	10.50 ea
5410	61-62	Aluminum Dash Bezel (3 pc set)	44.95 set
5506	58-62	Ignition Switch Chrome Spacer	12.95 ea
4540	53-59	Ignition Switch Chrome Nut	10.00 ea
5507	60-62	Ignition Switch Chrome Nut	8.50 ea
5500	53-62	Cowl Vent Knob	12.00 ea
4535	58-62	Cowl Vent Link Lever "S" Shaped	59.00 ea
5543	53-57	Parking Brake Handle	23.50 ea
4393	58-62	Parking Brake Handle w/White Letters	34.95 ea
4394	58-62	Parking Brake Handle w/Black Letters	34.95 ea
4538	58-60	Headlight Switch Knob w/Rod	26.25 ea
4539	61-62	Headlight Switch Knob w/Rod	26.25 ea
4541	58-60	Headlight Switch Nut	13.00 ea
4542	61-62	Headlight Switch Nut	13.00 ea
4533	58-60	Wiper Knob w/o washer	24.50 ea
4537	58-60	Wiper Knob with washer (includes button) .	36.00 ea
1308	58-60	Windshield Wiper Switch Nut	10.00 ea
1328	61-62	Windshield Wiper Switch Nut	10.00 ea
1373	53-57	Chrome Defroster Outlet Bezel	11.00 ea
1374	58-62	Plain Defroster Outlet Bezel	11.00 ea
5704	58-62	Dash Pad Upper Retainer Molding	44.95 ea
6150	53-57	Steering Column Bezel on Dash (chrome)	57.50 ea
6143	56-57	Emergency Brake Flasher Chrome Plug	5.50 ea

283



CAUTION
THIS COOLANT SYSTEM PROTECTED TO -20° FAHRENHEIT BY GM PERMANENT TYPE ANTIFREEZE



DECALS

Air Cleaner

4640	58-61	FI Instructions (AC Type A77C)	6.00 ea
4641	62	FI Instructions (AC Type A145C)	6.00 ea

Cooling System & Radiator

4604	55-57	Caution on Radiator	3.00 ea
4605	58-60	Caution on Radiator - Right	3.00 ea
4607	61-62	Caution on Expansion Tank	3.00 ea
4605	61-62	Caution on Radiator and Top Tank	3.00 ea
4606	60-62E	Harrison Radiator - Metal Plate (Dated) Specify required date	20.00 ea ND
4523	62L	Harrison Metal Plate	11.00 ea
4636	60-62	Metal Radiator Tag Screws	3.00 pr

Engine Compartment

4637	56-62	#124 Heater Blower Motor Inspection Sticker on Lower Section of Interior Htr. Core Hsg.	3.00 ea
4638	58-62	Washer Bottle Dry Cycle Adj. Decal	4.00 ea

Glove Box Label & Inserts

4602	57-61	Acrylic Paint Notice, Not All 57's had Acrylic Paint (on 57 firewall, top of shroud on 58, inside glove box 59-61)	3.00 ea
4639	56-61	Battery Warranty	4.50 ea
4644	56-60	Engine Break-In Card	4.50 ea

Jacking Instructions

4670	53-60	Jack Instructions	3.00 ea
4671	61-62	Jack Instructions	3.00 ea

Oil Filter Canister & Filler Cap

4609	56-57	Oil Filter Canister Instructions	3.00 ea
4603	58-67	Oil Filter Canister Instructions	3.00 ea
4645	56-58	Oil Cap Instructions Orange & Black	3.00 ea
4646	59-62	Oil Cap Instructions Black & Gold	3.00 ea

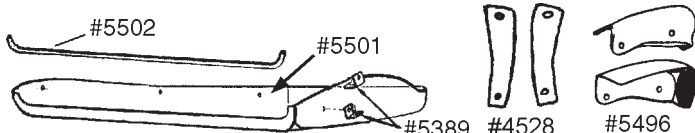
Positraction

4680	57-58	Posi Label - Caution	6.00 ea
4681	59-62	Posi Label - Caution	4.00 ea
4685	58-62	Round Metal Tag on Rear End Filler Plug	9.00 ea
5425	55-62	Metal Tag Axle Identification - 3.08	5.50 ea
5426	55-62	Metal Tag Axle Identification - 3.55	5.50 ea
5427	55-62	Metal Tag Axle Identification - 3.70	5.50 ea
5428	55-62	Metal Tag Axle Identification - 3.90	5.50 ea
5429	55-62	Metal Tag Axle Identification - 4.11	5.50 ea
5430	55-62	Metal Tag Axle Identification - 4.56	5.50 ea

Radio

4647	58-62	Wonderbar Instruction Sheet	3.00 ea
------	-------	-----------------------------------	---------

Continued on Next Page



DECALS (cont.)

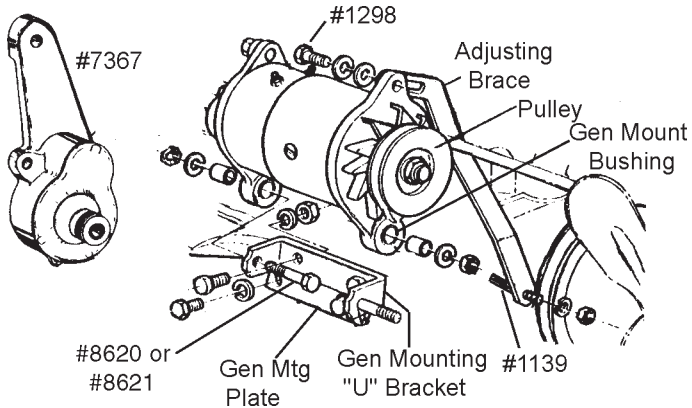
Valve Cover

4648	57	220 Horsepower (Gold)	3.00 pr
4629	57	w/FI 283 HP (Red)	3.00 pr
4612	58-61	Base Engine 230 HP (Gold)	3.00 pr
4613	56-61	283 w/2X4 Carb. 245 HP (Red)	3.00 pr
4614	57-59	283 w/FI 250 HP (Red)	3.00 pr
4615	57-61	283 w/2X4 Carb 270 HP (Red)	3.00 pr
4649	58-59	283 w/FI 290 HP (Red)	3.00 pr
4628	59-61	283 w/FI 275 HP (Red)	3.00 pr
4616	60-61	283 w/FI 315 HP (Red)	3.00 pr
4617	62	327 Base Engine w/250 HP (also requires #4624 to complete)	3.00 pr
4618	62	327 w/300 HP (also requires #4624 to complete)	3.00 pr
4619	62	327 w/340 HP	3.00 pr
4620	62	327 w/FI 360HP	3.00 pr
4624	62	327 Turbo-Fire w/250-300 HP - Black & Gold Embossed Aluminum	10.00 pr

Miscellaneous

4600	53-62	All Red Circular Tag, Generator Field Pole ..	3.00 ea
4601	55-62	3 pc. Delco Tag Set.....	19.95 set

DISTRIBUTOR & GENERATOR

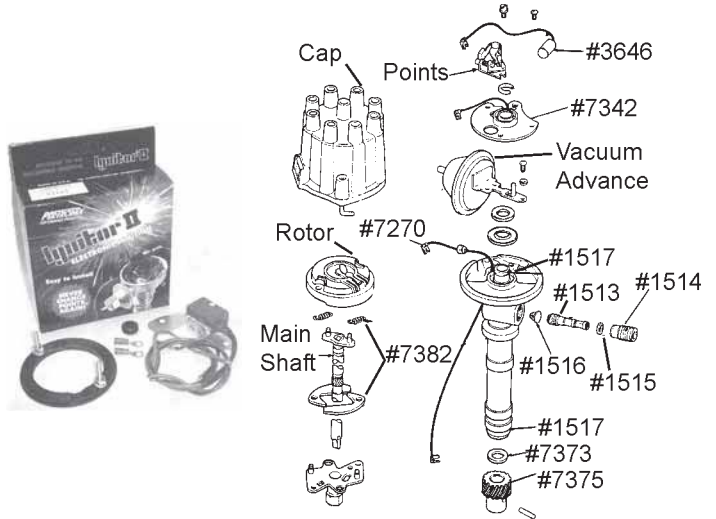


Generator and Tach Drive

7313	56-57	Generator Pulley 3 5/8" All w/2x4 & F.I.	85.00 ea ND
7360	58-62	Generator Pulley 3 5/8" Dia. w/Offset.	119.00 ea
7361	58-62	Hi Perf Generator Pulley 4" Dia	119.00 ea
7356	53-62	Generator or Alternator Pulley Washer	2.50 ea
7357	53-62	Generator or Alternator Pulley Nut	6.50 ea
7362	56-62	Generator Mount Rubber Bushing.	8.00 ea
1195	56-57	Generator Heat Shield	15.50 ea
1196	58-62	Generator Heat Shield	15.50 ea
8620	56-61	Gen Pivot Mount "UR" Bolt Kit (56-57 All, 58-61 exc FI)	6.00 set
8621	58-62	Gen Pivot Mount "UR" Bolt Kit (58-61 FI and 62 All)	6.00 set
7363	56-57	Generator Mounting "U" Bracket.	30.00 ea
1187	58-61	Generator Mounting "U" Bracket 6 5/8" LG Fits All exc.Spec HiPer or FI	16.00 ea
1188	58-62	Generator Mounting "U" Bracket 7 1/8" LG Fits 58-61 w/SpHiPer, FI and 62 FI	16.00 ea
7364	62	Generator Mounting "U" Bracket w/250 & 300 HP w/Part #3725671	36.00 ea

1197	58-62	Generator Mounting Plate - Fits All 58-61 & 62 w/Spec HiPer or FI	11.00 ea
1155	62	Generator Mtg.Pl. w/250-300 HP	11.00 ea
7365	56-57	Generator Adjusting Brace.	35.00 ea LD
1186	58-62	Generator Adjusting Brace w/Bolt	22.50 ea
1139	58-62	Generator Adj. Brace Attaching Stud	11.00 ea
1298	58-62	Generator Adjusting Brace "WB" Bolt Kit	1.75 ea
7367	56-61	Tach Drive Unit Kit w/ 2 Gears.	124.00 ea LD
1510	56-61	Tach Drive Unit - Less Gears.	95.00 ea
7368	56-61	Tach Drive Unit Improved Moly Filled Nylon Gear	17.00 ea
1512	56-61	Tach Drive Unit Small Metal Gear	20.00 ea
7369	56-61	Tach Drive Unit Repair Kit(Shaft &Gasket)	28.00 ea

Distributor & Related



1529	62	Tach Drive Distributor Single Point (Standard non Hi Per) - Rebuilt	319.00 ea LD
10581	62	Tach Drive Distributor Single Point (Standard non Hi Per) - NEW	379.00 ea LD

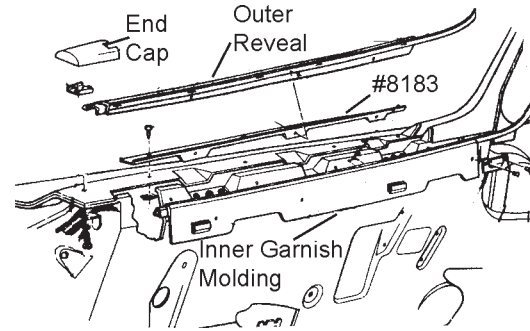
10090 58-62 Electronic Ignition Conversion Kit
Pertronix Ignitor II - get the benefits of a modern high energy system but keep a stock look. Eliminates points & condenser with an electronic module to promote fuel economy, quicker starts, longer plug life and more horsepower. The powerful microcontroller controls dwell for improved performance (for single point dist.) **119.95 kit**

1520	62	Distributor Main Shaft w/Spec HiPer	59.95 ea
1525	62	Distributor Main Shaft exc. Spec HiPer	59.95 ea
7342	58-62	Breaker Plate, Single Point	22.50 ea
1517	62	Dist. Main Shaft Upper & Lower Bushings	18.95 set
1518	62	Installation Tool - Upper & Lwr. Bushings	8.50 ea
7382	62	Dist Spring & Weight Kit	15.00 kit
1513	62	Distributor Cross Shaft Gear - Improved	25.50 ea
1514	62	Dist Coupling for Cross Shaft Gear	16.00 ea
1515	62	Dist. Cross Shaft Gear Thrust Washer	2.00 ea
1516	62	Dist. Cross Shaft Gear Plastic Button	2.00 ea
10622	62	Dist. Cross Shaft Gear Brass Button	6.50 ea
7375	55-62	Distributor Lower Drive Gear	28.50 ea
3651	55-61	Dist. Cap - Fits 55-57 V-8 All & 58-61 w/2X4 Carbs Dual Point Dist. #1110891 ..	13.00 ea
3652	58-62	Dist. Cap - Fits 58-61 Single Point Dist & 62 All (exc 62 Dual Point) Repl	15.00 ea
10228	62	Dist Cap - Dual Window D324	54.95 ea

Continued on Next Page

DISTRIBUTOR (cont)

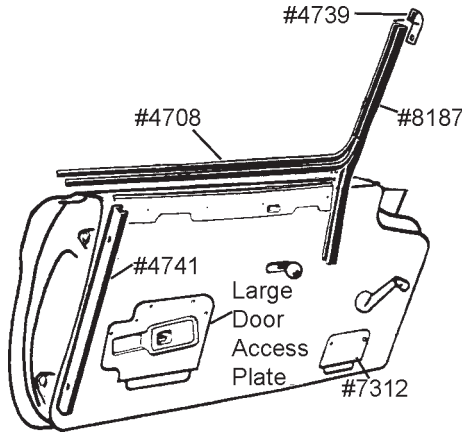
7373	62	Distributor Shim Kit	6.00 kit
7374	62	Distributor Small Parts Kit (points & condenser screws, grommet, felt & plastic washers, lower gear pin & spring clip)	8.50 kit
7384	60-62	Dist Hold Down Clamp w/Bolt -Wire Type ...	11.00 ea
7385	62	Dist Mounting Gasket	2.00 ea
3655	55-61	Dist. Points - Fits 55-57 V-8 All & 58-61 w/2X4 Carbs Dual Point Dist #1110891 (2-req. for 2X4 Carb)	12.50 ea
3656	58-62	Dist. Points (58-61 Single Point, 62 All)	12.00 ea
3661	55-62	Ignition Coil - Repl. Only US Made	32.50 ea
10542	56-62	Ignition Coil (#091).....	75.00 ea
7344	62	Vacuum Advance exc SpHiPer	15.50 ea
7347	62	Vacuum Advance w/SpHiPer	15.50 ea
3641	55-61	Dist. Rotor - Fits 55-57 V-8 All & 58-61 w/2X4 Carbs Dual Point Dist #1110891 ...	12.50 ea
3642	58-62	Dist. Rotor (58-61 Single Point, 62 All)	5.50 ea
3645	53-61	Dist. Condenser (53-57 All & 58-61 2x4)	5.50 ea
3646	58-62	Dist. Condenser (58-61 Single Point, 62 All) ..	5.50 ea
7359	62	Delco Remy Distributor I.D. Band - Date Stamped (allow 2 week delivery)	25.00 ea ND
7270	55-62	Dist to Coil Lead Wire	11.00 ea



8097	56-58	Outer Door Reveal Molding - Lt	59.00 ea
8098	56-58	Outer Door Reveal Molding - Rt	59.00 ea
8099	59-62	Outer Door Reveal Molding - Lt	59.00 ea
8100	59-62	Outer Door Reveal Molding - Rt	59.00 ea
8183	56-58	Door Outer Reveal Moulding Retainer Kit .	47.00 pr
8184	59-62	Door Outer Reveal Moulding Mount Kit	6.00 kit
8211*	56-58	Deluxe Window Felt & Door Reveal/ Garnish Molding Set	429.00 set LD
8215*	59-62	Deluxe Window Felt & Door Reveal/ Garnish Molding Set	429.00 set LD

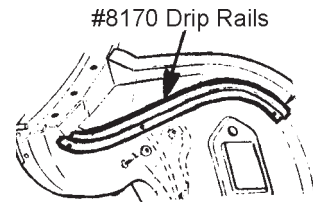
*Deluxe sets include: Door reveal & garnish moldings w/correct large bead felts installed, correct front window runs, rear liners and mounting kit.

8186	56-62	Window Run & Felt Set w/White Stitched Front Window Runs - Complete 8 Pcs. (#4708, 8187, 4741, 1189 and 4749)	154.95 set LD
4708	56-62	Window Felts - Inner & Outer w/Correct Size Bead (4 pc set).....	74.95 set
1189	56-62	Inner & Outer Felt Staple Set (25 pcs)	3.00 set
8187	56-62	Front Channel, Punched & Notched with Correct White Stitching.	79.00 pr
4749	56-62	Front Channel Mounting Kit (both sides)	5.75 kit
4741	56-62	Window Channel Rear Felt Liner.....	6.00 ea
6016	56-62	Weatherstrip Drain Seal Assy. - Fits Below Lower Door Glass and Window Frame	27.00 pr
8174	56-58	Door Inner Garnish Mouldings.	89.00 pr
8175	59-62	Door Inner Garnish Mouldings..	89.00 pr
8176	56-62	Door Inner Garnish Moulding Screws	4.00 set
2320	56-58E	Door End Cap (w/o Hole) - Lt.	35.00 ea
2321	56-58E	Door End Cap (w/o Hole) - Rt.	35.00 ea
8171	56-58E	Door End Cap Mounting Retainer - Lt	10.50 ea
8151	56-58E	Door End Cap Mounting Retainer - Rt	10.50 ea
8185	56-58E	Door End Cap Mtg Kit (includes 2 Retainers, 2 Clips & 2 Screws)	23.00 set
2322	58L-59E	Door End Cap (w/ Hole) - Lt.	35.00 ea
2323	58L-59E	Door End Cap (w/ Hole) - Rt.	35.00 ea
2305	59L-60	Door End Cap (w/Ridge & Hole) - Lt	42.50 ea
2306	59L-60	Door End Cap (w/Ridge & Hole) - Rt	42.50 ea
8172	58L-60	Door End Caps (w/ Hole) Mounting Kit w/ Weatherstrip Retainer	11.00 set
2357	61-62	Door End Caps (w/Hole) w/ScrewS and Nuts	89.95 pr
8173	61-62	Door End Cap Mounting Kit	6.50 kit



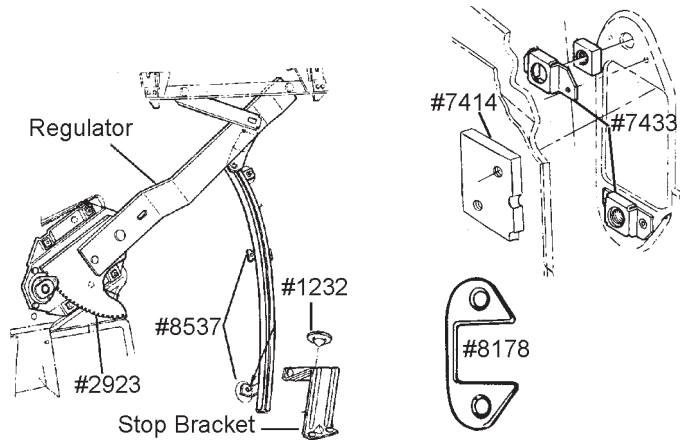
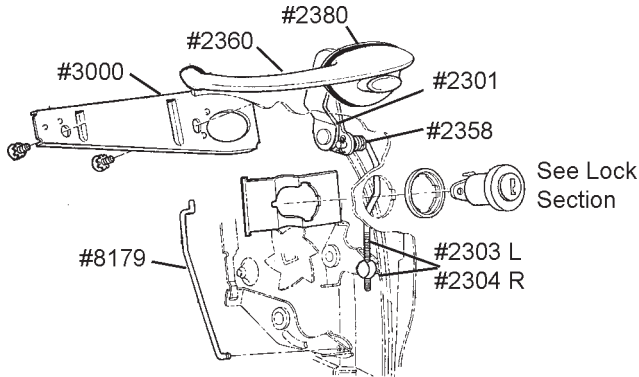
DOOR

8162	56-62	Door Glass to Frame Set Tape (use with glass manufactured by OEM glass)	10.00 pr
8164	56-62	Door Glass to Frame Set Tape (use with original GM glass)	10.00 pr
7300	56-57	Door Access Plates w/screws (4 pc set) ..	75.00 set LD
7301	58	Door Access Plates w/screws (4 pc set)..	94.00 set LD
7302	59-61	Door Access Plates w/screws (4 pc set)..	94.00 set LD
7303	62	Door Access Plates w/screws (4 pc set) ..	94.00 set LD
7304	56-57	Big Door Access Plate - Lt or Rt	28.00 ea
7306	58	Big Door Access Plate - Lt.....	38.00 ea
7307	58	Big Door Access Plate - Rt.....	38.00 ea
7308	59-61	Big Door Access Plate - Lt.....	38.00 ea
7309	59-61	Big Door Access Plate - Rt.....	38.00 ea
7310	62	Big Door Access Plate - Lt.....	35.00 ea
7311	62	Big Door Access Plate - Rt.....	35.00 ea
7312	56-62	Small Door Access Plate ..	14.50 ea
8093	56-62	Inner Door Bolt Access Hole Cover Kit (felt pads - 12 pcs)	7.50 set
7305	56-62	Door Access Plate Screw Set (14 pcs)	4.25 set
4739	56-58	Door Post Upper Window Stop & Seal w/Rivets.....	29.00 set



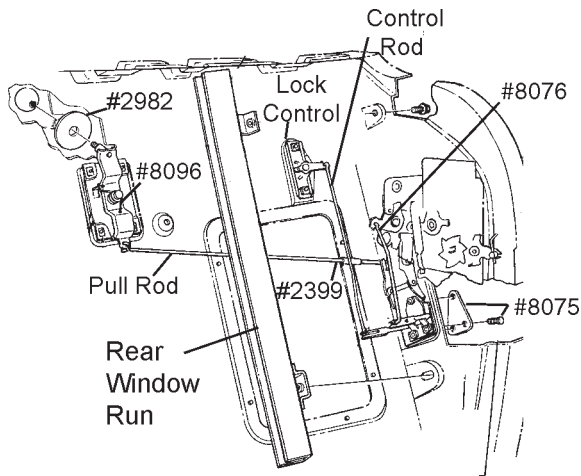
8163	56-57E	Door Drip Rails	89.00 pr
8170	57L-62	Door Drip Rails - Metal Rain Gutter.	32.50 pr
8530	56-59	Door Drip Rail Screws (56-57 replacement) (8 pcs)	4.00 set
8546	60-62	Door Drip Rail Screws - Correct	10.50 set

DOOR (continued)

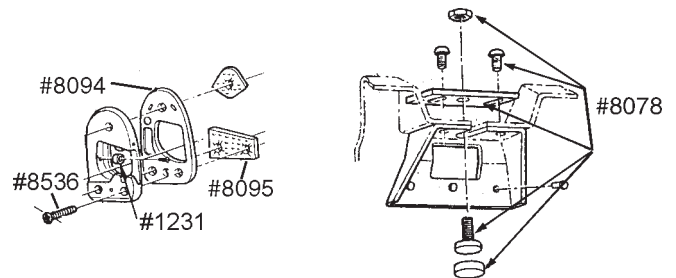


2360	56-62	Door Handle Assemblies (Handles, Buttons Gaskets, Screws, Retainers & Springs) US Made	86.95 pr
10274	56-62	Door Handle Assemblies - Imported includes same as #2360	59.95 set
2361	56-62	Door Handle Button w/Springs	31.95 pr
2380	56-62	Door Handle Gaskets (does both handles) ..	4.00 set
3000	56-62	Door Handle Reinforcements	16.00 pr
2301	56-62	Door Handle Push Button Lever (Bell Crank)	22.00 pr
2303	56-62	Door Handle Push Button Rod w/Pivot-Lt ..	12.00 ea
2304	56-62	Door Handle Push Button Rod w/Pivot-Rt ..	12.00 ea
2358	56-62	Door Handle Lever Rod Spring Kit	4.50 set
8179	56-62	Door Lock Cyl. Rod - from Cyl. Down	10.50 ea
8206	56-62	Door Rod Clip	1.00 ea

2923	56-62	Window Regulator Gear Only	26.00 ea
2926	56-62	Window Crank Foam Seal - Behind Door Panel - Correct	9.00 ea
8192	56-62	Power Window Conduits	59.00 pr
9955**	56-62	Power Window Motor w/Gear - Lt	129.00 ea
9956**	56-62	Power Window Motor w/Gear - Rt	129.00 ea
** Note: #9955 & #9956 require #9980 Adapter Harness			
9980	56-62	P.W. Motor Special Adapter Harness	10.00 ea
8079	56-62	Lower Door Glass Stop Bracket in door w/rivets - Lt	20.25 ea
8080	56-62	Lower Door Glass Stop Bracket in door w/rivets - Rt	20.25 ea
1232	56-62	Door Lower Window Bumpers	6.00 pr
8210	56-62	Window Track & Regulator Roller Set w/Rivets (6 Rollers and 6 Rivets) Repl	23.00 set
8537	56-62	Window Track & Regulator Screws (12pcs) ..	5.00 set
2951	56-62	Door Hinge Hex Head Bolt w/Lockwasher Correct (20 req)	1.75 ea
2952	56-62	Door Hinge Hex Head Bolt w/Lockwasher Correct (set of 10)	14.50 set
7433	56-62	Cage & Nut Assembly, Inside the Door Hinge Pillar, Rivets to Door Hinge Pillar ...	6.00 ea
7414	56-62	Door Hinge Mounting Nut Plate	10.00 ea
8177	56-62	Door Hinge Pin & Bushing Set (4 Correct length Pins & 8 Bushings)	20.00 set
2906	56-62	Door Hinge Pins - correct length	5.00 ea
2922	56-62	Door Hinge Bushing Set (8 pcs)	4.00 set
8178	56-62	Door Hinge Cover (4 pc set)	29.00 set
8535	56-62	Door Hinge Cover Phillips Screw (1)	1.50 ea
8081	56-62	Door Hinge Tension Spring (set of 4 w/rivets) does one door	12.00 set

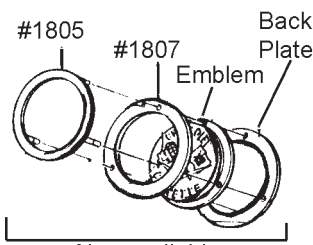


10512	56-62	Door Glass Rear Window Run - Lt	47.00 ea
10513	56-62	Door Glass Rear Window Run - Rt	47.00 ea
8069	56-57	Door Open Pull Rod (SS)	13.00 ea
8070	58	Door Open Pull Rod (SS)	13.00 ea
8071	59-62	Door Open Pull Rod (SS)	13.00 ea
2399	56-62	Door Open Pull Rod Cloth Sleeve (4 pcs) ..	9.50 kit
8096	56-62	Inside Door Opening Mechanism Springs	6.25 pr
2982	60-62	Door Opening Mech. Round Plastic Shield ..	5.00 pr
8072	56-57	Door Lock Control	27.50 ea
8073	56-58	Door Lock Control Rod (SS)	11.25 ea
8074	59-62	Door Lock Control Rod (SS)	12.00 ea
8075	56-62	Door Lock Pivot Retainer Plate w/screws ..	19.50 pr
8076	56-62	Door Lock Mechanism to Bellcrank Rod ...	10.50 ea
8077	56-62	Door Rod Retainer - Wire	4.00 pr



1221	53-62	Door Jamb Light Switch Gaskets	2.50 pr
1231	56-62	Door Striker Bumpers	4.00 pr
8539	56-62	Door Striker Bumper Screws	1.50 pr
8536	56-62	Door Striker Screws (1)	2.00 ea
8094	56-62	Door Striker Shim	18.00 pr
8095	56-62	Door Striker Anti-Skid Plates-4 pcs (SS) ...	23.00 set
1229	56-62	Door Lock Gasket Set	2.00 pr
1223	56-62	Upper Window Stop Bumpers (4 pc set)	7.50 set
8078	56-62	Upper Window Stop Kit (bumpers, screws and retainers for both doors)	31.00 kit

Also see Interior Trim, Fastener & Weatherstrip Sections



Also available as an assembly



58-62 Emblem

EMBLEMS

1800	53-55	Front Emblem Assy.....	109.00 ea
1801	56-57	Front or Rear Emblem.....	46.95 ea
1802	56-57	Front/Rear Emblem - Chrome Bezel	36.95 ea
1856	58-61	Front or Rear Emblem Assy - includes Gold Emblem, Bezel, Backplate, Gasket & Fasteners	109.95 ea
1857	62	Rear Emblem Assy- includes Gold Emblem, Bezel, Backplate, Gasket & Fasteners	104.95 ea
1803	58-62	Frt. or Rear Emblem - Silver LettersDISC
1804	58-62	Frt. or Rear Emblem - Gold Letters -	64.95 ea
1847	58-62	Emblem Bezel 1/8" Winged Speed Nuts - Correct (25 pcs).....	29.00 set
8611	56-62	Emblem Bezel 1/8" winged Speed Nuts (3 pcs).....	4.50 set
1848	58-62	Winged Speed Nut Fastener Tool	11.00 ea
1805	58-62	Frt. or Rear Emblem - Chrome Bezel.....	36.95 ea
1806	58-61	Frt or Rear Emblem - Back Plate Alum.....	25.95 ea
1844	62	Rear Emblem Back Plate - Black Steel.....	29.00 ea
1807	58-62	Front or Rear Emblem - Gasket.....	2.50 ea
1808	61-62	Front Letter Set - "CORVETTE" Show Quality	75.50 set
1952	61-62	Front Letter Set - "CORVETTE".....	43.00 set
1809	61	Front Emblem	38.00 ea
1810	62	Front Emblem	80.00 ea



#1870



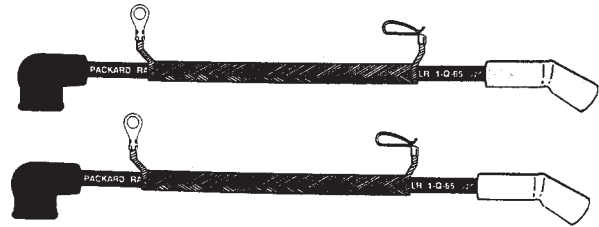
#1858



#1860

1860	57	FI Side & Rear Emblem	39.95 ea
1861	58-61	FI Side Emblem	81.95 ea
1862	62	FI Side Emblem	64.75 pr
1889	57	FI Front Fender X-Flag Emblems-Correct	84.50 pr
1870	58-60	Side Flag - Show Quality	58.50 pr
1858	61	Front Fender Emblem Set (4 side bars and 2 "CORVETTE" emblems) Show Quality	110.95 set
1842	61	Side Plate - "CORVETTE" - Show Quality	54.50 pr
1953	61	Side Plate - "CORVETTE".....	35.95 pr
1845	61	Side Bars (Red & Blue) set of 4	67.95 set
1846	62	Side Fender Cross Flags - Thin (Show Quality)	55.95 pr
10089	62	Side Fender Cross Flags - Thin (Nice Repro)	30.00 pr

ENGINE

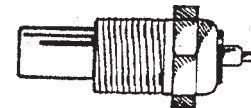


Electrical

Correct Dated Spark Plug Wires

Plug Wires have correct plug boots & the correct factory script & date
 1961 00001 thru 05966 not dated -- 1961 05967 thru 10939 1-Q-61
 1962 00001 thru 07585 3-Q-61 -- 1962 07586 thru 14531 1-Q-62

7460	56-57	Spark Plug Wire Set exc. FI	75.00 set
7461	57	Spark Plug Wire Set w/FI	75.00 set
7462	58	Spark Plug Wire Set exc. FI	75.00 set
7463	58	Spark Plug Wire Set w/FI	75.00 set
7464	59-61	Spark Plug Wire Set - All	75.00 set
7465	61	Spark Plug Wire Set - All (1-Q61)	75.00 set
7466	62	Spark Plug Wire Set - All (3-Q-61)	75.00 set
7467	62	Spark Plug Wire Set - All (1-Q-62)	75.00 set
3490	58-62	Spark Plug Wire Set exc FI- Correct wires and ends - non dated replacement)	40.00 set
3226	56-62	Spark Plug Wire Clip - on oil pan	3.50 ea
3227	56-62	Spark Plug Wire Clip - on block	2.00 ea
3445	56-62	Wire Harness Clip - Zinc 1 1/4" long	2.00 ea
3499	53-62	Wiring Harness Tape - Roll (non-stick)	8.00 ea
3591	55-61	Voltage Regulator - D618 Delco Repl	62.00 ea
10095	55-61	Voltage Regulator- OEM Style- Non Delco	44.00 ea
3592	62	Voltage Regulator - D621 Delco Repl	46.50 ea
10096	62	Voltage Regulator -OEM Style- Non Delco .	44.00 ea
8566	56-62	Voltage Regulator Attaching Screws (3)	3.50 set
3661	55-62	Ignition Coil - Delco Repl - US Made	32.50 ea
10542	56-62	Ignition Coil (#091)	75.00 ea
3565	55-62	Ignition Coil Ballast Resistor	20.00 ea
1441	55-60	Radio Ground Strap Set	23.00 set
10269	61-62	Radio Ground Strap Set	23.00 set
1116	56-59E	Temp. Wire Brackets on Valve Cover	9.00 pr
1119	59L-62	Temp. Wire Brackets on Valve Cover	7.00 pr
3443	56-62	Temp. Wire Insulation - Correct Size	4.50 ea
1199	57-62	Starter Motor Brace	12.00 ea

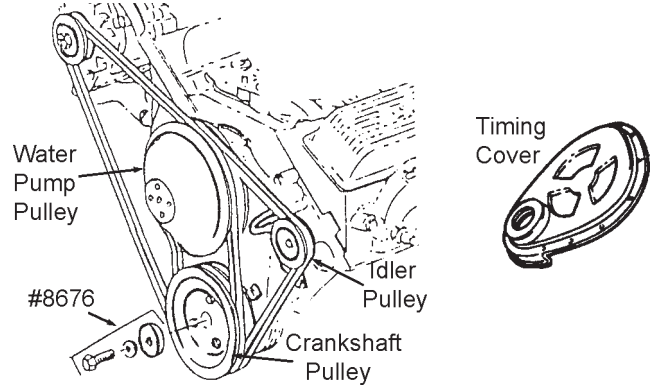
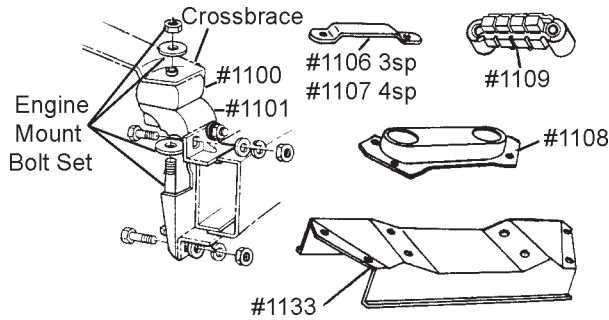


Temperature Sending Unit

10284	56	Water Temp Sender - correctly calibrated	22.00 ea
3583	57-62	Water Temp Sender - correctly calibrated	22.00 ea
10404	56-62	Horns - Replacement (Delco Look-a-Like) with universal brackets	99.00 pr
3119	58-62	Horn Repair Kit - repairs 2 original horns	16.00 kit



HORNS



Engine & Transmission Mounts

7601	56-62	Frnt Engine Mount Brackets to Frame (Specify Year)	309.00 pr
7690	53-62	Front Engine Rubber Mounts (4 pcs) uppers & lowers now with correct GM part numbers and raised ribs as original . 42.00 set	
1118	53-62	Bolt, Nut, Washer & Spacer Kit - for Front Engine Mount - Repl.....	8.00 kit
7621	53-62	Bolt, Nut, Washer & Spacer Kit - for Front Engine Mount - w/WB-2C Headmark - Correct as Original..	16.00 kit
8555	56-62	Front Engine Mount Bracket to Frame Bolt Set w/"TR" Headmark (16)	13.00 set
1105	53-62	Spacer Only - Front Engine Mount	3.00 ea
1117	58L-60	Front Engine Mount Crossbrace (replacement for 55-58E)	84.50 ea
1102	61-62	Front Engine Mount Crossbrace (can be used as a repl for 56-60)..	53.00 ea
7625	56-62	Gasket Set - Water Pump & Engine Mount Crossbrace to Block (4 pcs) - special hard gasket will not squeeze out - GM	5.00 set
1106	56-62	Bracket to Trans. 3sp.....	17.00 ea
1107	56-62	Bracket to Trans. 4sp.....	14.00 ea
1108	53-62	Metal Retainer - for Trans. Mount..	26.00 ea
1109	53-62	Rubber Mount - for Tran. Mount.....	39.00 ea
1110	55-61	Auto Trans. Bracket	116.00 ea ND
1115	62	Trans. Mount Plate	14.00 ea
1133	53-62	Transmission Frame Crossmember stamped as original - not welded	149.00 ea
3005	56-62	Engine Compartment "E" Bolt Set (8 pcs)	8.00 set



Intake Gaskets

Intake Manifold Gaskets & Bolts

6885	56-62	Intake Manifold Gasket Set exc FI	22.00 set
6869	57-62	Intake Manifold Gasket Set w/FI	24.00 set
* Intake Gaskets are the correct charcoal color			
8552	55-60	Intake Manifold to Head Bolts w/"AP" Headmark	12.00 set
8554	61-62	Intake Manifold to Head Bolts (11 Bolts + 1 Stud).....	20.00 set

Pulleys & Water Pumps

The following water pumps are remanufactured and are sold outright.

3357	56	Rebuilt Water Pump #3704911 w/BOSS	DISC
3358	57-60	Rebuilt Water Pump #3736493	DISC
9527	55-58E	Water Pump Curved Fitting w/ 3/8" Pipe Thread	16.50 ea
1317	58L-62	Water Pump Curved Fitting w/ 1/2" Pipe Thread	16.50 ea
1267	61-62	90 Degree Fitting Top of Water Pump	16.00 ea
7610	56-58E	Water Pump Pulley (#974)	123.00 ea ND
7611	58L-62	Water Pump Pulley (#816)..	69.00 ea
7612	62	Water Pump Pulley Dual Deep Groove #245 62 327 w/Idler Pulley 7 1/8" O.D.	89.75 ea
1074	58-62	Water Pump Pulley Reinforcement	7.00 ea
7615	57-58E	Lower Crankshaft Pulley (#991), Fits 57 FI & Hi Lift Cam and All 58 Early....	110.00 ea ND
7616	58L-62	Lower Crankshaft Pulley (#328) (All 283 & 327 exc 62 w/Idler Pulley).....	79.00 ea
7617	62	Lower Crankshaft Pulley Dual Deep Groove 62 w/Idler Pulley.(#987).	114.00 ea ND
7618	60-62	Bolts, Crank Balancer Pulley "E" Headmark 283-327 exc Sp Hi Per (3 pcs)	7.00 set
1045	62	Idler Pulley w/Bracket w/SpHiPer	139.00 ea
1047	62	Idler Pulley Mounting Stud & Bolt Kit	15.00 kit
7619	62	327 Crankshaft Pulley 2 Deep Groove 6 5/8" Dia. - G.M. Repl. (62 327 with Idler Pulley	43.00 ea

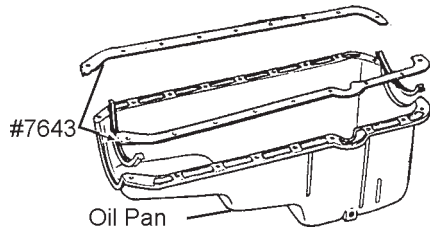
Timing Covers & Balancers

7757	55-62	Timing Cover (exc 62 340-360 HP)	53.00 ea
7758	62	Timing Cover 340-360 HP with correct tabs - Repl	53.00 ea
7567	62	327 Timing Tab Only w/SpHiPer (340HP) ...	20.00 ea
7568	56-62	Small Block Timing Cover Gasket & Seal Set	16.00 set
8557	55-61	Timing Cover Screw Set - slotted	7.00 set
7539	62	Timing Cover Bolt Set (10 pcs)	8.00 set
7569	57-62	Crankshaft Balancer (exc. 62-65 SpHiPer & FI) Replacement..	65.00 ea
7570	62	Crankshaft Balancer, w/Sp HiPer - Replacement	112.50 ea
7571	62	327 Crankshaft Balancer, w/Sp HiPer - Finned CORRECT	349.00 ea ND
1060	56-62	Harmonic Balancer Spacer	8.00 ea
8676	62	Balancer Bolt Kit - for crank with threaded end	9.00 kit

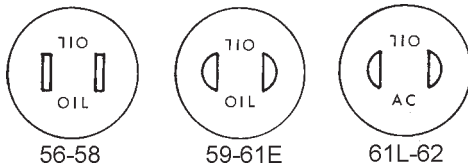
Oil System & Valve Covers



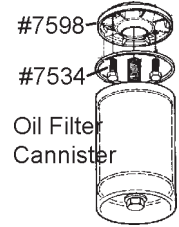
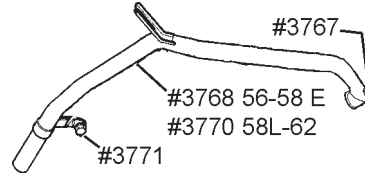
1120	56-59E	Aluminum Valve Cover - Stgd. Holes	62.00 ea
1121	59L-62	Aluminum Valve Cover w/Gasket (straight holes).....	69.00 ea
7595	55-62	Valve Cover Gasket - Rubberized Cork	14.00 pr
8540	56-59E	Aluminum Valve Cover Bolts (8)	4.50 set
8541	59L-62	Aluminum Valve Cover Bolts (8)	4.50 set
8542	55-62	Steel Valve Cover Bolts (8)	4.50 set
8543	55-62	Steel Valve Cover Bolt Reinforcement (8)	7.00 set



7640	57-62	Oil Pan - 5 qt GM Re-issue..	DISC
7843	62	Oil Pan w/SpHiPer	DISC
7588	53-62	Oil Pan Plug w/Correct 7/8" Hex Head	5.00 ea
7604	56-62	Oil Pan Plug Gasket- Nylon	1.25 ea
7641	57-62	Magnetic Oil Drain Plug	7.50 ea
8524	55-61	Oil Pan Bolt "L" headmark (4 pcs) ends only	3.00 set
8558	55-61	Oil Pan Screws 1/4-20 slotted w/washer (14 pcs) for sides only	10.00 set
7642	62	Oil Pan "L" headmark Bolt Set (18 pcs)	13.00 set
10172	56-62	Oil Pan Gasket Set	15.00 set
7645	60-62	Stud - Baffle Mounting (5 req.)	14.75 ea



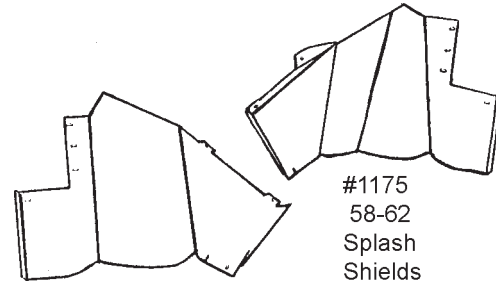
1029	56-62	Oil Filler Tube - Correct Argent Green	20.00 ea
7630	56-58	Oil Cap Vented w/Hyd. Lifters..	36.00 ea
7631	56-58	Oil Cap Non-Vented w/Solid Lifters..	36.00 ea
7632	59-61E	Oil Cap Vented w/Hyd. Lifters..	36.00 ea
7633	59-61E	Oil Cap Non-Vented w/Solid Lifters..	36.00 ea
7634	61L-62E	Oil Cap Vented w/Hyd Lifters(Oil-AC, Cad)	36.00 ea
7635	61L-62E	Oil Cap Non-Vented w/Solid Lifters (Oil-AC, Cad).....	36.00 ea
7636	62L	Oil Cap Vented w/Hyd. Lifters (Oil-AC, Chrome).....	47.00 ea
7637	62L	Oil Cap Non-Vented w/Solid Lifters (Oil-AC, Chrome).....	47.00 ea
7638	57-62	Oil Dipstick Black - Correct	13.50 ea
7639	57-62	Oil Dipstick Tube - Correct - All	15.95 ea
7669	56-62	Lower Oil Dipstick Tube in Motor	6.00 ea
1070	57-62	Chrome Dipstick - Replacement	17.00 ea



7596	56-57	Oil Filter Cannister w/Silk Screen Decal with Filter (PF 131)	105.00 ea
7597	58-67	Oil Filter Cannister w/Silk Screen Decal with Filter (PF-141)	76.00 ea
7602	56-57	PF 131 Oil Filter Cartridge	12.00 ea
7603	58-62	PF 141 Oil Filter Cartridge	10.00 ea
7598	56-62	Oil Filter By-Pass Valve w/Gasket	30.00 ea
7534	56-62	Oil Filter By Pass Valve Attaching Bolts "Delta" Headmark	3.00 pr
7599	55-62	Engine Ventilator - mounts inside engine under intake manifold - Reconditioned	40.00 ea
3768	56-58E	Crankcase Vent Tube - rear of engine	93.50 ea
3770	58L-62	Crankcase Vent Tube - rear of engine	93.50 ea
3771	56-62	Clamp - Crankcase Vent Tube (except 62 powerglide)	13.00 ea
3767	56-62	Bolt & Washer Kit - vent tube to block	3.50 ea

Oil Line Kit

6840	56-62	Oil Line Kit - Steel (small diameter metal tube with correct fittings)	9.00 ea
6975	57-62	FI Oil Line Kit (judge accepted)	33.00 kit ND

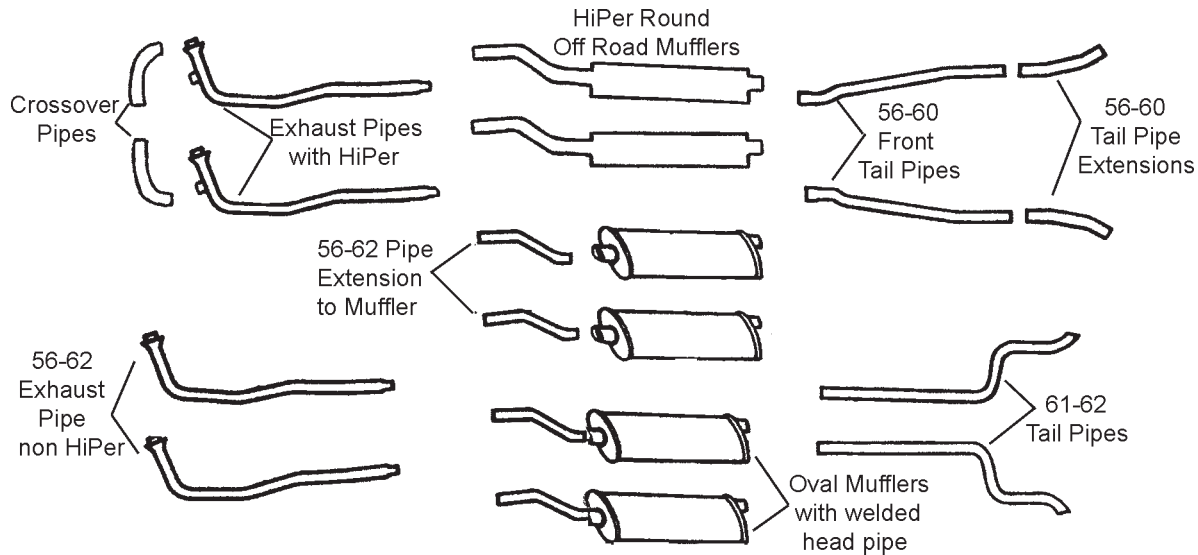


Splash Shields

1166	56	Splash Shields - Frt. Fender - Correct (2 pcs)	54.00 pr
1167	57	Splash Shields - Frt. Fender - Correct (4 pcs)	74.50 set
1175	58-62	Splash Shields - Frt. Fender - Correct (2 pcs)	85.00 pr
8651	56	Splash Shield Clutch Head Screw, Nut & Washer Set	14.00 set
8652	57	Splash Shield Clutch Head Screw, Nut & Washer Set	15.00 set
8653	58-60	Splash Shield Clutch Head Screw, Nut & Washer Set	16.00 set
8603	60-62	Splash Shield Screw, Nut and Washer Set	13.00 set
1300	53-62	Splash Pan Weatherstrip	18.00 pr

Also See WEATHERSTRIP Section

EXHAUST



Complete Aluminized Exhaust Systems

All systems includes, aluminized pipes, mufflers, flanges, sleeves, donut gaskets and clamps. **Oval and round mufflers are welded to head pipes as original.** All 56 systems fit only the 3 bolt manifolds.

5932	56-57	All except 283 , no header crossover, w/round off road muffler	315.00 set LD
5931	56-58	Low perf all 1x4 carbs w/welded oval mufflers	325.00 set LD
5919	56-58	All with header crossover w/welded oval mufflers	375.00 set LD
5933	56-58	Hi Per, SpHiPer 2x4 carbs & FI w/crossover and round off-road mufflers	375.00 set LD
5943	59-60	Low perf all 1x4 carbs w/welded oval mufflers	325.00 set LD
5951	59-60	All with header crossover w/welded oval mufflers	375.00 set LD
5959	59-60	HiPer, SpHiPer 2x4 carbs & FI w/crossover with round off-road mufflers	375.00 set LD
5935	61-62	Low perf all 1x4 carbs w/2" manifolds w/welded oval mufflers	345.00 set LD
5991	61-62	All 2" with header crossover w/welded oval mufflers	390.00 set LD
5937	61-62	2" HiPer, SpHiPer 2x4 carbs & FI, with crossover w/round off- road mufflers ..	390.00 set LD
5902	62	HiPer, SpHiPer w/2 1/2" manifolds, no crossover with welded oval mufflers	365.00 set LD
5903	62	HiPer, SpHiPer 2 1/2" manifolds, no crossover with round off-road mufflers	365.00 set LD
6002	62	HiPer, SpHiPer 2 1/2" manifolds w/crossover with welded oval mufflers	390.00 set LD
6003	62	HiPer, SpHiPer 2 1/2" manifolds w/crossover and round off-road mufflers	390.00 set LD

Aluminized Carbon Mufflers

5948	56-62	Mufflers - Oval w/Welded Head Extension Pipes	178.00 pr
5863	56-62	Mufflers - Round Off-Road Hi Perf	178.00 pr

Magnaflow Performance Exhaust

These aluminized systems offer the same great fit as our regular systems but with the added performance of Magnaflow Mufflers. Systems include pipes, mufflers, flanges, sleeves, donut gaskets and clamps. The mufflers are not welded to the secondary pipe. See description of Magnaflow Mufflers on this page.

10514	56-58	Low Perf, all 1 x 4 carbs with Magnaflow Mufflers	329.00 set ND
10515	56-58	All with Header crossover with Magnaflow Mufflers	379.00 set ND
10516	59-60	Low Perf all 1 x 4 carbs with Magnaflow Mufflers	329.00 set ND
10517	59-60	All with Header crossover with Magnaflow Mufflers	379.00 set ND
10518	61-62	All 2 " with Header crossover with Magnaflow Mufflers	399.00 set ND
10519	62	Hiper, SpHiPer 2 1/2" manifolds, no crossover with Magnaflow Mufflers .	369.00 set ND
10520	62	HiPer, SpHiPer 2 1/2" manifolds with crossover and Magnaflow Mufflers	399.00 set ND

Magnaflow Mufflers

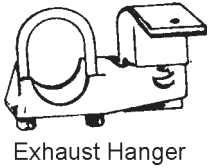
Magnaflow Mufflers - all welded unrestricted high flow mufflers with straight through design that delivers performance, power and durability, along with a smooth deep tone and clean appearance.

10255	56-62	Oval Magnaflow Mufflers	189.00 pr ND
-------	-------	-------------------------------	--------------

Aluminized Carbon Steel Pipes

FRONT PIPE Sets include flanges, donuts and clamps
REAR PIPE Sets include clamps where applicable

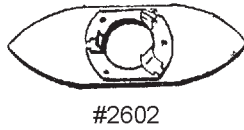
10063	56-62	FRONT Pipe Set - No Crossover	149.00 set
10064	57-61	FRONT Pipe Set - HiPer with Crossover	199.00 set
10065	62	2 1/2" FRONT Pipe Set - No Crossover	173.00 set
10066	62	2 1/2" FRONT Pipe Set - HiPerf with Crossover	199.00 set
10067	56-58	REAR Pipe Set (4 pcs)	89.00 set
10068	59-60	REAR Pipe Set (4 pcs)	89.00 set
10069	61-62	REAR Pipe Set	95.00 set



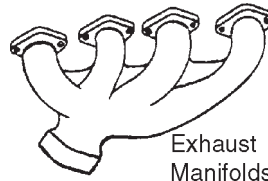
Exhaust Hanger



#2610



#2602



Exhaust Manifolds



Manifold Locks



Manifold Bolts



#3085 Nuts



Manifold Studs

Stainless Steel Exhaust Pipe Clamps & Hangers

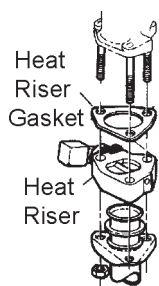
5929	56-60	Stainless Steel Exhaust Hanger Set Complete exc. Retainers in Bumper	129.00 set
5927	61-62	Stainless Steel Exhaust Hanger Set Complete	169.00 set
6020	56-62	Center Exhaust Hanger Kit w/Hardware S.S. Less Frame Brackets (both sides)	70.00 kit
6021	56-60	Tail Pipe to Crossmember Hanger Kit w/Hardware S.S. (both sides)	70.00 kit
2614	56-62	Center Exhaust Hanger X-Frame Brackets Carbon Steel - Zinc Plated	13.50 pr
6025	56-62	Clamp 1 3/4", Fits Crossover Pipe S.S.	8.50 ea
6026	56-62	Clamp 1 7/8", Fits Tail Pipe Extension S.S.	8.50 ea
6027	56-62	Clamp 2", Fits Muffler Front or Rear S.S.	8.50 ea

Carbon Exhaust Hangers & Related

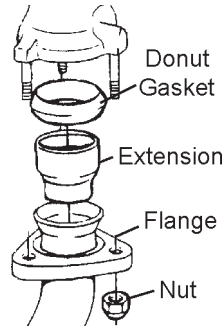
2607	53-55	Center or Rear Hanger Kit	46.00 pr
2600**	56-60	Exhaust Hanger Set Complete, except retainers in rear bumpers (Incl. #2612, 2614, 2615, & Clamps)	102.00 set
2601**	61-62	Exhaust Hanger Set Complete w/6 Hangers (Incl.#2612, 2614, 2618, 2609 and Clamps)	149.50 set
** #2600 and #2601 include correct fine thread "U" bolts			
2612	56-62	Center Exhaust Hanger Kit - Lt & Rt	44.00 pr
2614	56-62	Center Exhaust Hanger X-Frame Brackets Carbon Steel - Zinc Plated	13.50 pr
2615	56-60	Tail Pipe to Crossmember Hanger Kit	46.00 pr
2618	61-62	Muffler Hangers w/Brackets (Lt and Rt)	47.00 pr
2609	61-62	Tail Pipe Hangers w/Frame Brackets	63.00 pr
2610	56-57	Tail Pipe Retainer in Bumper	39.00 pr
2602	58-60	Tail Pipe Retainer and Bracket in Bumper Assembled w/Rivets & Bolts	79.00 pr
2619	58-60	Exhaust Retainer Support Bracket	20.50 ea
6030	56-62	Rubber Insulator w/Reinforcements for Exhaust Hanger	17.50 ea
7454	56-60	Low Perf Fine Thread "U" Bolts (10 pcs)	19.00 set
7455	56-60	HiPerf Fine Thread "U" Bolts (12 pcs)	23.00 set
7456	61-62	Low Perf Fine Thread "U" Bolts (8 pcs)	16.00 set
7457	61-62	HiPerf Fine Thread "U" Bolts (10 pcs)	19.00 set

Exhaust Manifold & Related

5848	56	Exhaust Manifold 3 Bolt Flange #3731557, 2" Left	230.00 ea ND
5849	56	Exhaust Manifold 3 Bolt Flange #3731558, 2" Right	290.00 ea ND
5871	57	Exhaust Manifold #3733975, (All) 2" Lt.	229.00 ea
5817	57	Exhaust Manifold #3733976, (All exc. FI) 2" Rt	235.00 ea
5870	57	Exhaust Manifold #3733976, (All w/FI) 2" Rt	235.00 ea
5894	58-62	Exhaust Manifold #3749965, (w/283-327, 58-61 All, 62 All exc. SpHiPer), 2" Lt	169.00 ea
5834	58-62	Exhaust Manifold #3750556, (All exc. FI) 2" Rt	215.00 ea
5835	58-61	Exhaust Manifold, (All w/FI) 2" Rt	215.00 ea
5874	62	Exhaust Manifold, 2 1/2" Lt (Cast #901) Repl	159.00 ea
5876	62	Exhaust Manifold (All exc. FI) 2 1/2" Rt (Cast #902) Repl	159.00 ea
5800	62	Exhaust Manifold (except 62 250 HP) (Cast #901) 2 1/2" - Lt	CORRECT ... 225.00 ea
5857	62	Exhaust Manifold (exc FI) (Cast #902) 2 1/2" - Rt	CORRECT ... 225.00 ea
5837	62	Exhaust Manifold (All w/FI) (Cast #902) 2 1/2" Rt	CORRECT ... 225.00 ea
6525	56-62	Choke Tube in Exhaust Manifold - S.S. except 57-62 w/FI	14.00 ea
8781	56-62	Exhaust Manifold Bolt Washer -S.S. All Engines (set of 8)	6.00 set
8786	56-62	Exhaust Manifold Bolt Set (All exc 62 with Clean Air Tube) (12 pcs)	14.00 set
8785	62	Exhaust Manifold Bolt Set (All w/Clean Air Tube) (12 pcs)	20.00 set
3083	56-62	Exhaust Manifold Studs - Steel (6 pcs)	8.50 set
3084	56-62	Exhaust Manifold Studs - Stainless Steel (6 pcs)	21.50 set
3085	56-62	Brass Nut - Exhaust Manifold (6 pcs)	5.00 set
8561	56-62	Exhaust Manifold Nut Set (Correct "top lock type) 6 pcs	4.00 set
3035	55-62	Exhaust Manifold Lock Set - S.S. (4 pcs)	15.00 set
8562	56-62	Exhaust Manifold Lock Set - Steel (4 pcs)	11.00 set
3017	56-62	2" Exhaust Manifold Donut Gasket	3.00 ea
3018	62	2 1/2" Exh. Manifold Donut Gasket	3.00 ea
3021	56-62	Extension - Exhaust Pipe to Manifold 2"	6.50 ea
3022	56-62	Extension - Exhaust Pipe to Manifold 2 1/2"	6.50 ea
3019	56-62	2" Exhaust Heat Riser Gasket	2.50 ea
3020	62	2 1/2" Exhaust Heat Riser Gasket	2.50 ea
3079	56-62	2" Exhaust Heat Riser Valve	42.00 ea
3080	62	2 1/2" Exhaust Heat Riser Valve	45.00 ea
3081	57-61	RH 2" Exhaust Manifold Spacer w/FI (can also be used in place of heat riser)	21.00 ea
3082	62	RH 2 1/2" Exhaust Manifold Spacer w/FI (can also be used in place of heat riser)	25.00 ea
3086	57-62	2" Exhaust Pipe Flange	5.00 ea
3087	62	2 1/2" Exhaust Pipe Flange (Flat Type)	8.25 ea
5998	ALL	Hot Stuff Manifold Dressing (2400 deg) See accessory section for more info.	12.95 ea
5905	All	Cast Blast 1200 Manifold Coating -aerosol	7.95 ea



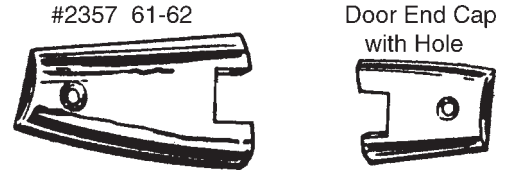
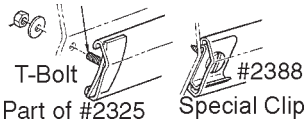
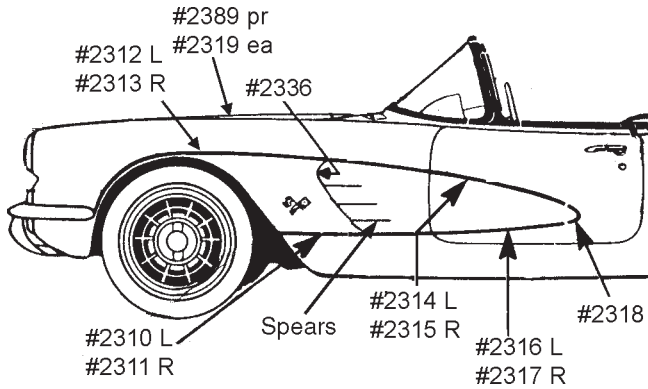
Heat Riser Gasket



Donut Gasket
Extension
Flange
Nut

Exhaust Chrome - See Page 13

EXTERIOR TRIM & MOLDINGS

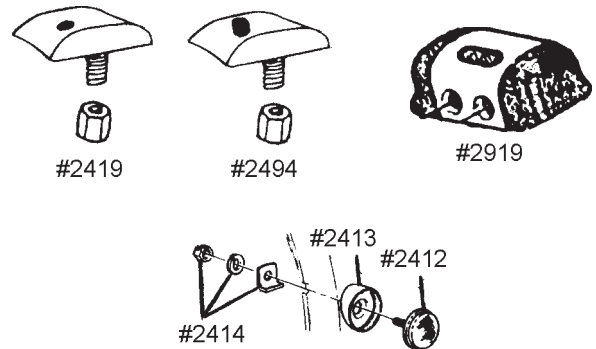


Door End Caps

2320	56-58E	Door End Cap w/o Hole - Lt.	35.00 ea
2321	56-58E	Door End Cap w/o Hole - Rt.	35.00 ea
8171	56-58E	Door End Cap Mounting Retainer - Lt.	10.50 ea
8151	56-58E	Door End Cap Mounting Retainer - Rt.	10.50 ea
8185	56-58E	Door End Cap Mtg Kit (includes 2 retainers, 2 clips, 2 screws)	23.00 set
2322	58L-59E	Door End Cap (w/ Hole) - Lt.	35.00 ea
2323	58L-59E	Door End Cap (w/ Hole) - Rt.	35.00 ea
2305	59L-60	Door End Cap (w/Ridge & Hole) - Lt.	42.50 ea
2306	59L-60	Door End Cap (w/Ridge & Hole) - Rt.	42.50 ea
8172	58L-60	Door End Caps (w/ Hole) Mounting Kit w/ Weatherstrip Retainer	11.00 set
2357	61-62	Door End Caps (w/Hole) w/screw & nut kit	89.95 pr
8173	61-62	Door End Cap Mounting Kit	6.50 kit

Side & Top Fender Moldings

2300	53-55	Side Chrome Set (6 pcs)	435.00 set
2280	56-57	Side Molding Complete Set with mounting hardware (12 pcs)	495.00 set
2281	58-61	Side Molding Complete Set with mounting hardware (10 pcs)	479.00 set
2307	56-57	Front Wheel Well Moldings.....	59.00 pr
* NOTE: #2308 thru #2317 include mounting hardware			
2308	56-57	*Front Fender Molding - Upper Lt.	88.00 ea
2309	56-57	*Front Fender Molding - Upper Rt.	88.00 ea
2312	58-61	*Front Fender Molding - Upper Lt.	122.00 ea
2313	58-61	*Front Fender Molding - Upper Rt.	122.00 ea
2310	56-61	*Front Fender Molding - Lower Lt.	38.00 ea
2311	56-61	*Front Fender Molding - Lower Rt.	38.00 ea
2314	56-61	*Door Molding - Upper Lt.	38.00 ea
2315	56-61	*Door Molding - Upper Rt.	38.00 ea
2316	56-61	*Door Molding - Lower Lt.	38.00 ea
2317	56-61	*Door Molding - Lower Rt.	38.00 ea
2318	56-61	Door End Molding "C".	20.00 ea
2231	56-57	Side Molding Mounting Kit: Includes T-Bolts, Nuts, Washers (36 pcs)	36.00 set
2325	58-61	Side Molding Mounting Kit: Includes T-Bolts, Nuts, Washers (44 pcs)	42.00 set
2388	56-61	Special Flat Clip w/screw for lower fender molding & rear attaching point of side fender molding at door edge (6 per car)....	3.00 ea
2277	58-61	Side Spear Set (6 Spears with reinforcements and nuts)	162.00 set LD
2330	58-61	Side Spear w/reinforcements - Upper Lt. ...	30.00 ea
2331	58-61	Side Spear w/reinforcements - Upper Rt. ...	30.00 ea
2332	58-61	Side Spear w/reinforcements- Center Lt. ...	30.00 ea
2333	58-61	Side Spear w/reinforcements - Center Rt. ...	30.00 ea
2334	58-61	Side Spear w/reinforcements- Lower Lt. ...	30.00 ea
2335	58-61	Side Spear w/reinforcements - Lower Rt. ...	30.00 ea
2336	58-61	Side Spear Backplate Inserts - Black	20.50 pr
2354	58-61	Side Spear Reinforcements S.S.	20.50 set
10094	62	Side Louvers (cove moldings) 2nd design with notch	359.00 pr
10435	62	Side Louver Mounting Kit	5.00 kit
2389	58-62	Top of Fender Molding	209.00 pr
8601	58-62	Top Fender Molding Speed Nut Set (22 pcs)	4.50 set



Miscellaneous Moldings

1938	56-62	License Plate Frame - Stainless - Clip On	15.95 ea
2419	56-57E	Hardtop Side Receiver Molding.....	49.50 pr
2494	57L-58E	Hardtop Side Receiver Molding.....	49.50 pr
2919	58L-60	Hardtop Side Receivers w/ Rubber Inserts & Hardware.	125.00 pr
2474	58L-60	Rubber Insert - Hardtop Receiver.....	45.00 pr
2283	58-60	Rear Reflector Set (2 Reflectors, 2 Bezels and 1 Mount Kit)	69.50 set
2412	58-60	Rear Fender Reflector - Correct	18.50 ea
2413	58-60	Rear Fender Bezel.	19.50 ea
2414	58-60	Rear Reflector Mtg. Kit (one car set)	5.50 set
2340	62	Rocker Moldings	309.00 pr
2378	62	Rocker Panel Molding Retainers (8 pc) ...	14.50 set
8600	62	Rocker Molding Screw Set (52 pcs)	12.00 set
10620	56-57	Fender Scoops - NEW (die cast and chrome plated as original)	189.00 pr

See also BUMPER, GRILL, EMBLEM and MIRROR Sections.

FASTENERS

Other fasteners can also be found in the section that contains the part it is related to.

Bumper & Bumperette

8506	53-57	Front License Bumperette Bolts, Zinc Plated (28pcs)	6.95 set
8501	58-62	Front Bumper Bolts, Zinc Plated (40 pcs) ..	15.95 set
8502	58	Rear Bumper Bolts, Zinc Plated (66 pcs) ..	16.95 set
8503	59-60	Rear Bumper Bolts, Zinc Plated (60 pcs) ..	15.95 set
8504	61-62	Rear Bumper Bolts, Zinc Plated (76 pcs) ...	18.00 set
8507	58-62	Front License Bumperette Bolts, Zinc Plated (42 pcs)	7.95 set

Console

8520	56-62	Shifter Console Plate Screws (2)	2.00 pr
8521	56-62	Shifter Console Plate Nuts - underbody (2) ..	6.50 set
8522	56-62	Shifter Pattern Screws (2)	2.00 pr
8523	58-62	Upper & Lower Console Trim Screws (10) ...	4.50 set

Dash

8525	58-62	Dash End Cap Screws (4)	2.50 set
8526	58-62	Grab Bar End Cap Screws (4)	2.50 set
8527	59-62	Package Tray Screws (19)	6.75 set
8528	58-62	Heater Cover/Package Tray Support Screws(6)	4.50 set
8529	58-62	Speedometer & Gauge Housing to Dash Screws (5)	4.50 set

Door

8531	58-62	Door End Cap Screws (2)	2.50 pr
8500	58-62	Door End Cap Nut & Screw (1) 2 req.	3.00 set
8532	56-62	Door Latch Mounting Screws in Rear of Door (8)	7.00 set
8533	56-62	Door Lock Control Screws (4)	3.50 set
8534	56-62	Door Rear Glass Channel Screws (4)	4.00 set
8535	56-62	Door Hinge Screw (1)	1.50 ea
2951	56-62	Door Hinge Hex Head Bolt w/Lockwasher - Correct (20 req)	1.75 ea
2952	56-62	Door Hinge Hex Head Bolts w/Lockwashers - Correct (set of 10)	14.50 set
8536	56-62	Door Striker Screws (1)	2.00 ea
8537	56-62	Window Track & Regulator Screws (12)	5.00 set
8538	56-62	Door Handle Mounting Screws - Repl (4)	3.25 set
8539	56-62	Door Striker Bumper Screws (2)	1.50 pr
8530	56-59	Door Drip Rail Screws (56-57 repl) (8)	4.00 set
8546	60-62	Door Drip Rail Screws - Correct	10.50 set
7414	56-62	Door Hinge Mounting Nut Plate	10.00 ea
8176	56-62	Door Inner Garnish Molding Screws	4.00 set
8184	59-62	Door Outer Reveal Molding Mount Kit	6.50 kit



#8954 Mirror Screw



Speed Nuts

Engine

8540	56-59E	Aluminum Valve Cover Bolts (8)	4.50 set
8541	59L-62	Aluminum Valve Cover Bolts (8)	4.50 set
8542	55-62	Steel Valve Cover Bolts (8)	4.50 set
8543	55-62	Steel Valve Cover Bolt Reinforcement (8)	7.00 set
8544	56-59	Lower Fan Shroud Assy. Screws (9)	6.50 set
8545	60-62	Lower Fan Shroud Assy. Screws (5)	5.00 set
8635	58-62	Lower Fan Shroud to Frame Bolt Set (4)	4.50 set
8548	56-62	Flywheel to Crank Bolts - Manual	8.00 set
8549	56-62	Flywheel to Crank Bolts - Automatic	14.00 set
8550	56-62	Transmission to Bellhousing Bolt - "TR".	6.00 set
8518	56-59	Bellhousing to Engine Bolt Set "TR" (7 pcs) ..	10.00 set
8551	56-59	Bellhousing to Engine Bolt Set "AP" (6 pcs) ..	7.00 set
8519	60-62	Bellhousing to Engine Bolt Set (6 pcs)	10.00 set
8552	55-60	Intake Manifold to Head Bolt w"AP" Headmark, Zinc Plated (12 Bolts)	12.00 set
8554	61-62	Intake Manifold to Head Bolt Set 61-62 All (11 Bolts + 1 Stud)	20.00 set
8555	56-62	Front Engine Mount Bracket to Frame Bolt Set w/"TR" Headmark (16)	13.00 set
3005	56-62	Engine Compartment "E" Head Bolts(8)	8.00 set
8599	56-62	Engine Compartment Phillips Head Screw Set (use for wire harness clip, air hose bracket, etc) (10 pcs)	4.50 set
8612	53-62	Delco Tag Rivet Set (6 pcs)	6.00 set

Exhaust and Related

8569	58-60	Exhaust Insulator Support Bracket in Rear Bumper - Screw, Washer & Nut Set	5.50 set
8781	56-62	Washer, Exhaust Manifold Bolt, all engines Stainless Steel (8)	6.00 set
8786	56-61	Exhaust Manifold Bolts, w/Double Circle Headmark (12)	14.00 set
8785	62	Exhaust Manifold Bolts, w/Double Circle Headmark,(12)	20.00 set

Exterior Trim

8565	56-57	Headlight Bezel Screws - phillips head (6) ...	2.50 set
8566	58-62	Headlight Bezel Screws (8)	3.50 set
8567	56-62	Upper Windshield Frame Screw Set Correct (12)	7.50 set
8954	53-62	Outside Mirror Screw - Socket Head (1)	1.75 ea
8570	58	Exterior Trim & Emblem Speed Nuts (60) ...	10.00 set
8571	59-60	Exterior Trim & Emblem Speed Nuts (64) ...	11.00 set
8572	61	Exterior Trim & Emblem Speed Nuts (97) ...	15.50 set
8573	62	Exterior Trim & Emblem Speed Nuts (65) ...	11.00 set
8601	58-62	Top Fender Molding Speed Nut Set (22 pcs)	4.50 set
8600	62	Rocker Molding Screw Set (52 pcs)	12.00 set
8574	53-60	Grill Tooth Mounting Stud	1.50 ea
8577	53-57	Grill Oval Mounting Stud, Nut & Washer Set (79 pcs)	23.50 set
8578	58-62	Grill Upper & Lower Chrome Molding Stud, Nut & Washer Set (this is to be used to repair your old moldings) Zinc (112 ps)	24.50 set
8579	58-62	Grill Upper & Lower Chrome Molding Washer & Nut Set, Zinc (84 pcs)	7.00 set
8584	58-62	Grill Upper & Lower Chrome Molding Washer & Nut Set, Stainless Steel (84 pcs)	10.00 set

FASTENERS (cont.)

Interior Trim

8605	56-57	Door Panel Screws & Washers (38)	7.50 set
8606	58	Door Panel Screws w/Std Size Thds. (22) ...	5.00 set
8607	59-62	Door Panel Screws w/Std Size Thds. (22) ..	4.00 set
8608	58-62	Door Panel Flush Washers (16)	2.50 set
8625	58	Door Panel Screws w/Oversize Thds. (22) ..	8.00 set
8626	59-62	Door Panel Screws w/Oversize Thds. (22) ..	6.00 set
8616	56-57	Door Pull Cup Screws (4)	2.00 set
8604	59-62	Sunvisor Support to Windshield Screws (4) .	3.50 set
8609	56-57	Kick Panel Screws & Washers (24)	5.50 set
8610	58-62	Kick Panel Screws & Washers (30)	5.00 set
8523	58-62	Upper & Lower Console Trim Screws (10) ...	4.50 set
8613	56-62	Deck Lid Molding Screws (8)	4.00 set
8614	56-60	Door Sill Plate Screws (18)	5.25 set
8615	61-62	Door Sill Plate Screws (10)	5.00 set
8617	58-61	Arm Rest Screws (6)	3.50 set
8618	62-64	Arm Rest Screws (4)	3.50 set
8619	58-62	Steering Column Cover Screw (1)	1.00 ea
8622	53-61E	Gas Tank Cover Screw, J-Nut & Washer Set (54)	15.00 set
8623	61L-62	Gas Tank Cover Screw, J-Nut & Washer Set (45)	14.00 set
8624	56-62	Conv. Top Tab Screws, On Body (2)	2.75 pr
8627	56-62	Conv. Deck Lid Bumper Screw (2)	1.50 pr

Interior Fastener Sets

8690	56-57	Interior Fastener Set (Includes No.'s: 8520 8522, 8567, 8605, 8609, 8614, 8616, 8624, 8627, 8654, 8655, 8657) List 50.50	Special 39.00 set
8691	58	Interior Fastener Set (Includes No.'s: 8520 8522, 8523, 8525, 8526, 8528, 8567, 8606, 8608, 8610, 8614, 8619, 8624, 8627, 8640, 8654, 8655, 8657) List 64.75	Special 49.00 set
8692	59-60	Interior Fastener Set (Includes No.'s: 8520 8522, 8523, 8525, 8526, 8527, 8528, 8567, 8604, 8607, 8608, 8610, 8614, 8619 8624, 8627, 8640, 8654, 8655 & 8657) List 74.00	Special 59.00 set
8693	61-62	Interior Fastener Set (Includes No.'s: 8520 8522, 8523, 8525, 8526, 8527, 8528, 8567, 8604, 8607, 8608, 8610, 8615, 8619, 8624, 8627, 8640, 8654, 8655 & 8657) List 73.75	Special 58.00 set

Lights & Lamps

8639	54-62	Courtesy Light Switch Screws (4)	2.50 set
8640	58-62	Courtesy Light Screws (2)	1.75 pr
2006	53-57	Parking Lamp Bezel Barrel Nut Set (4)	11.00 set
8641	53-57	Parking Lamp Bezel Barrel Nut (1)	2.75 ea
8642	58-62	Parking Light Lens Screws (4)	4.00 set
8634	56-57	Tail Light Lens Screws (4) - slotted	3.50 set
8634	58-60	Inner Tail Light Lens Screws (4) - slotted	3.50 set
8644	56-57	Tail Light Housing Mounting Screw, Stud, Washer & Nut Set (28 pcs)	9.50 set
8645	58-60	Tail Light Housing Mounting Bolt, Stud, Washer & Nut Set (24 pcs)	9.00 set
8646	56-60	License Lamp Housing Screws (4)	3.00 set
8647	61-62	Lic. Lamp Housing to Body Screws (12)	4.50 set
8891	61-62	License Lamp Lens Screws (4)	3.00 set
8649	58-60	Outer Tail Light Lens Screw & Washer Set (16)	7.00 set
8650	61-62	Tail Light Lens Screws (8)	4.00 set

Rivets

7415	53-62	Body Assembly Rivet - Flat 100 Degree Countersunk Head - Aluminum (50 pcs)	8.75 set
7416	53-62	Body Assembly Rivet - Flat 100 Degree Countersunk Head - Aluminum (100 pcs).	12.00 set
7417	53-62	Body Assembly Rivet - Round Head Aluminum (50 pcs)	8.75 set
7418	53-62	Body Assembly Rivet - Round Head Aluminum (100 pcs)	12.00 set

Splash Pan

8651	56	Splash Pan Screw, Nut & Washers Clutch Head (42)	14.00 set
8652	57	Splash Pan Screw, Nut & Washers Clutch Head (50)	15.00 set
8653	58-60	Splash Pan Screw, Nut & Washers Clutch Head (56)	16.00 set
8603	60-62	Splash Pan Screw, Nut & Washers Set	13.00 set

Top (Convertible & Hardtop)

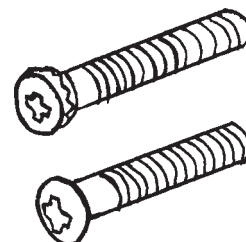
8654	56-62	Conv. Top Rear Swing Latch to Frame Chrome Screw (4)	7.50 set
8655	56-62	Conv. Top or Hardtop Front Latch Screws & Washers (4)	4.50 set
8656	58-62	Conv. Top Rear Latch on Deck Lid - Screw, Nut & Washer Set (12)	5.50 set
8657	56-62	Conv. Top Tab Screws (4)	2.50 set
8624	56-62	Conv. Top Tab Snaps on Body (2)	2.75 pr
8660	56-62	Conv. Top Front Weatherstrip Retainer Screws (10)	3.75 set
8661	56-62	Conv. Top Front Weatherstrip Retainer Nut(10 Req)	2.00 ea
8505	56-62	Conv. Top Side Weatherstrip Retainer Nut & Screw	2.25 ea
8679	56-62	Conv. Deck Lid Hinge to Lid Bolt (6)	6.00 set
8659	56-62	Hardtop Headliner Trim Screws (8)	3.25 set

Trunk

5658	56-57	Trunk Liner Screws - Correct	8.00 set
8669	58-59E	Trunk Liner Screws - Correct	8.00 set
8681	59L-62	Trunk Liner Screws - Correct	8.00 set
8670	56-59E	Trunk Liner Screws - Repl	3.00 set
8671	59L-62	Trunk Liner Screws - Repl	3.50 set
8672	56-60	Trunk Rear Inner Panel Screws (17)	5.50 set
8673	61-62	Trunk Access Cover Plate Screws (4)	3.00 set
8678	56-62	Trunk Hinge to Lid Bolt (6)	6.00 set
8627	56-62	Conv. Deck Lid Bumper Screws (2)	1.50 pr
8679	56-62	Conv. Deck Lid Hinge to Lid Bolt (6)	6.00 set

Windshield Frame

9964	56-62	Windshield Lower Frame to Body T-Bolt w/Nut (set of 8)	24.00 set
8680	56-62	Windshield Lower Frame to Body T-Bolt w/Nut (1)	4.00 ea
8567	56-62	Upper Windshield Frame Screw Set (12) Correct	7.50 set
8682	56-62	Nut - Windshield Mounting Bolt	4.00 set



FIBERGLASS

Abbreviations: (T) Truck Shipped
 (PM) Press Molded - in the description means the panel has a smooth surface inside and out as original.

Pre-Assembled - Press Molded Front End

These PRESS MOLDED front ends are assembled as they were originally. The manufacturer bonds all of the separate fiberglass pieces together and installs bonding strips just like the factory. Front Ends include: All correct color bonding material, inner skirts and upper dash. Hood not included. (\$100 Crating Fee - Extra)

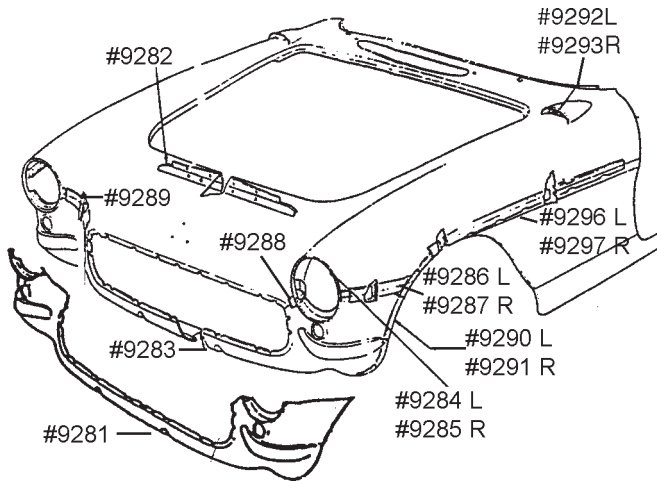
9015	58-61	Pre-assembled Front End.....(T)	4295.00 ea ND
9016	62	Pre-assembled Front End.....(T)	4295.00 ea ND

Stock Inner Skirt

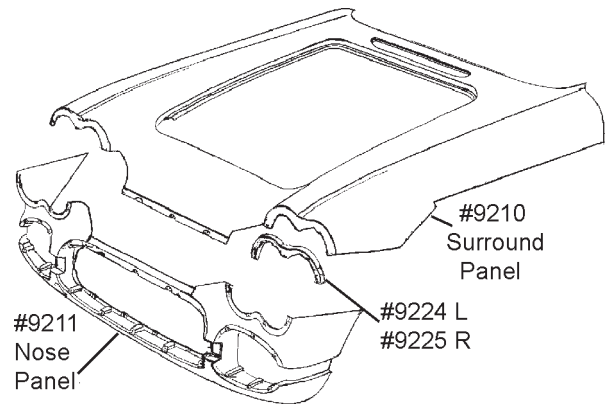
9110	53-57	Inner Skirt - Lt	325.00 ea
9111	55-57	Inner Skirt - Rt	325.00 ea
9114	58-62	Inner Skirt - Lt (PM)	390.00 ea
9115	58-62	Inner Skirt - Rt (PM)	390.00 ea
9116	58	Inner Skirt Extension - Rt Side	70.00 ea

Stock Design Hood Assemblies (Crating Fee Extra)

9005	56-57	Hood Assembly (PM).....(T)	950.00 ea
9006	58	Hood Assembly (PM).....(T)	900.00 ea
9007	59-60	Hood Assembly (PM).....(T)	950.00 ea
9008	61-62	Hood Assembly (PM).....(T)	950.00 ea



9286	56-57	Stock Corner Bonding Strip - Headlight to Wheel Opening - Lt (PM).....	40.00 ea
9287	56-57	Stock Corner Bonding Strip - Headlight to Wheel Opening - Rt (PM).....	40.00 ea
9288	56-57	Stock Headlight Opening to Grill Bonding Strip - Lt (PM).....	25.00 ea
9289	56-57	Stock Headlight Opening to Grill Bonding Strip - Rt (PM).....	25.00 ea
9290	56-57	Wheel Opening Reinforcement Bonding Strip - Lt (PM).....	65.00 ea
9291	56-57	Wheel Opening Reinforcement Bonding Strip - Rt (PM).....	65.00 ea
9292	56-57	Stock Fender Scoop - Lt	65.00 ea
9293	56-57	Stock Fender Scoop - Rt	65.00 ea
9294	56-57	Stock Fdr. Scoop Reinforcement - Lt (PM).....	45.00 ea
9295	56-57	Stock Fdr. Scoop Reinforcement - Rt (PM).....	45.00 ea
9296	56-57	Stock Side Fender to Surround Bonding Strip - Lt (PM).....	85.00 ea
9297	56-57	Stock Side Fender to Surround Bonding Strip - Rt (PM).....	85.00 ea
9298	56-57	Radiator Support Side Panel - Lt (PM)	100.00 ea
9299	56-57	Radiator Support Side Panel - Rt (PM)	100.00 ea
9300	56-57	Radiator Support Vertical Bonding Strip to Inner Skirt - Lt (PM)	65.00 ea
9301	56-57	Radiator Support Vertical Bonding Strip to Inner Skirt - Rt (PM)	65.00 ea
9302	56-57	Rad Support Upper Bonding Strip - Lt (PM).....	35.00 ea
9304	56-57	Rad Support Upper Bonding Strip - Rt (PM).....	35.00 ea
9311	56-57	Inner Skirt Reinforcement Bonding Strip - Lt (PM).....	35.00 ea
9312	56-57	Inner Skirt Reinforcement Bonding Strip - Rt (PM).....	35.00 ea



58-62 Front Panels & Bonding Strips

All are Press Molded and closely resemble factory color.

9210	58-62	Surround Panel Complete - extends over dash (eyebrows included) (PM) .. (T).....	990.00 ea
9211	58-62	Front Nose Panel - Center of Headlights Down (PM)..... (T).....	850.00 ea
9224	58-62	Headlamp Eyebrow B/Strip - Lt (PM)	45.00 ea
9225	58-62	Headlamp Eyebrow B/Strip - Rt (PM).....	45.00 ea

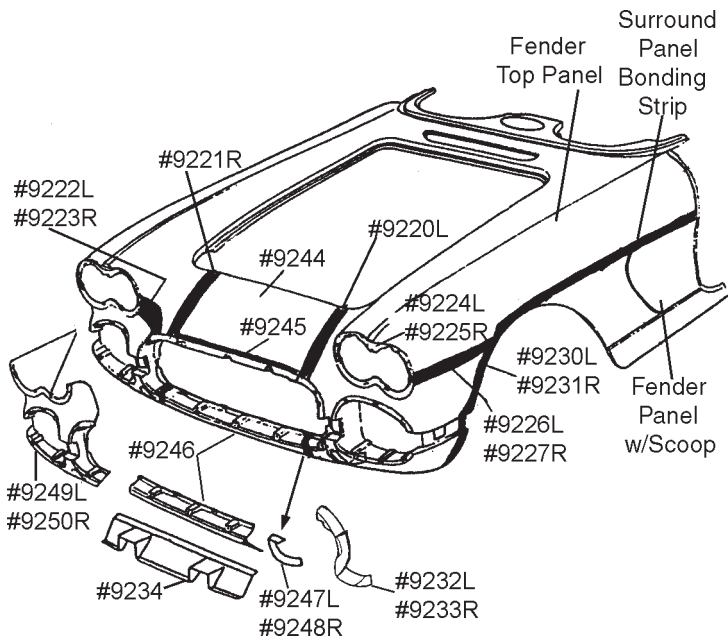
56-57 Front Panels & Bonding Strips

9281	56-57	Stock Lower Front Valance Panel - Center Headlights Down (PM).....	450.00 ea
9282	56-57	Stock Upper Radiator Extension Bonding Strip (PM)	65.00 ea
9283	56-57	Stock Lower Radiator Baffle (PM).....	10.00 ea
9284	56-57	Stock Headlight Bonding Strip - Lt (PM)...	45.00 ea
9285	56-57	Stock Headlight Bonding Strip - Rt (PM) ..	45.00 ea

58-62 Front Panels continued on Next Page

"SHIPPING IS EXTRA ON ALL FIBERGLASS ITEMS"
 Some Items have a Packaging or Crating Fee.

58-62 Front Panels & Bonding Strips (continued)

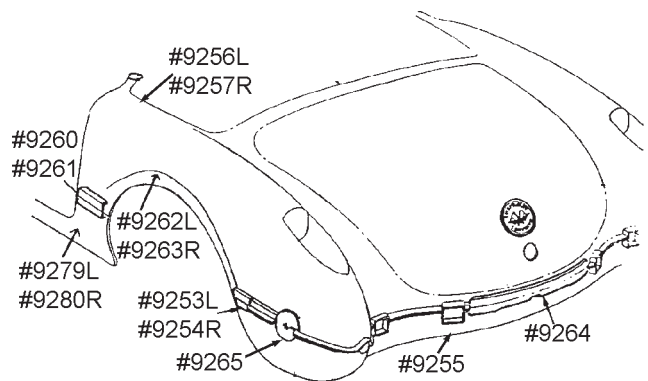


**See Previous Page for
58-62 Pre-Assembled Front Ends**

9212	58-61	Front Side Fender Panel w/Scoop Extension - Lt (PM).....	425.00 ea
9213	58-61	Front Side Fender Panel w/Scoop Extension - Rt (PM).....	425.00 ea
9214	62	Front Side Fender Panel w/Scoop Extension - Lt (PM).....	425.00 ea
9215	62	Front Side Fender Panel w/Scoop Extension - Rt (PM).....	425.00 ea
9216	58-61	Side Fender to Surround Panel Bonding Strip - Lt (PM).....	79.00 ea
9217	58-61	Side Fender to Surround Panel Bonding Strip - Rt (PM).....	79.00 ea
9218	62	Side Fender to Surround Panel Bonding Strip - Lt (PM).....	105.00 ea
9219	62	Side Fender to Surround Panel Bonding Strip - Rt (PM).....	105.00 ea
9220	58-62	Nose Side Bonding Strip - Lt (PM).....	35.00 ea
9221	58-62	Nose Side Bonding Strip - Rt (PM).....	35.00 ea
9222	58-62	Nose Corner Bonding Strip - Lt (PM).....	55.00 ea
9223	58-62	Nose Corner Bonding Strip - Rt (PM).....	55.00 ea
9224	58-62	Headlamp Eyebrow B/Strip - Lt (PM).....	45.00 ea
9225	58-62	Headlamp Eyebrow B/Strip - Rt (PM).....	45.00 ea
9226	58-62	Headlamp to Wheel Opening Bonding Strip - Lt (PM).....	45.00 ea
9227	58-62	Headlamp to Wheel Opening Bonding Strip - Rt (PM).....	45.00 ea
9230	58-62	Wheel Opening Reinforcement Bonding Strip - Lt (PM).....	65.00 ea
9231	58-62	Wheel Opening Reinforcement Bonding Strip - Rt (PM).....	65.00 ea
9313	62	Wheel Opening Panel - Lt.....	80.00 ea
9314	62	Wheel Opening Panel - Rt.....	80.00 ea
9232	58-62	Nose Panel to Inner Skirt Lower Bonding Strip - Lt (PM).....	69.00 ea
9233	58-62	Nose Panel to Inner Skirt Lower Bonding Strip - Rt (PM).....	69.00 ea
9234	58-62	Lower Baffle.....	75.00 ea
3390	58-62	Nose Support Rods.....	22.00 pr
3391	58-62	Nose Support Rod Brackets.....	11.00 pr

58-62 Front Repair Panels

9240	58-62	Fender Top Panel - Lt (PM).....(T).....	430.00 ea
9241	58-62	Fender Top Panel - Rt (PM).....(T).....	430.00 ea
9244	58-62	Center Nose Panel - Upper (between headlamps)..(PM).....	165.00 ea
9245	58-62	Center Upper Nose Panel Extension (PM)	80.00 ea
9246	58-62	Lower Center Nose Panel (PM).....	140.00 ea
9247	58-62	Lower Center Nose to Corner Nose Bonding Strip - Lt (PM).....	50.00 ea
9248	58-62	Lower Center Nose to Corner Nose Bonding Strip - Rt (PM).....	50.00 ea
9249	58-62	Side Nose Panel - Lt (PM).....	415.00 ea
9250	58-62	Side Nose Panel - Rt (PM).....	415.00 ea



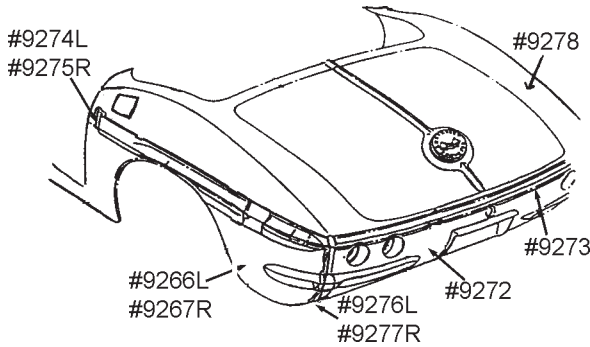
56-62 Rear Panels & Rear Repair Panels

9087	56-60	One Piece Rear Upper Body Section (Crating \$50.00).....(HL).....(T).....	750.00 ea ND
9255	56-60	Rear Lower Valence Panel from Bumpers Down (some body work required on 56-57).....(T).....	350.00 ea
9256	56-60	Stock Rear Quarter Panel - Lt.....	350.00 ea
9257	56-60	Stock Rear Quarter Panel - Rt.....	350.00 ea
9258	56-60	Rear Wheel Opening Repair Panel 6" Wide - Lt.....	165.00 ea
9259	56-60	Rear Wheel Opening Repair Panel 6" Wide - Rt.....	165.00 ea
9260	56-60	Rear Qtr. Panel B/Strip, At Front - Lt.....	50.00 ea
9261	56-60	Rear Qtr. Panel B/Strip, At Front - Rt.....	50.00 ea
9262	56-60	Rear Wheel Opening Reinforcement Bonding Strip - Lt (PM).....	65.00 ea
9263	56-60	Rear Wheel Opening Reinforcement Bonding Strip - Rt (PM).....	65.00 ea
9264	58-60	Stock Rear Valence Panel Bonding Strip - Center.....	65.00 ea
9265	58-60	Bumper Side Reinforcement Disc.....	35.00 ea
9279	56-62	Rocker Panel - Lt. (PM).....	240.00 ea
9280	56-62	Rocker Panel - Rt.(PM).....	240.00 ea
9251	56-57	Rear Qtr. Panel B/Strip at Rear - Lt.....	65.00 ea
9252	56-57	Rear Qtr. Panel B/Strip at Rear - Rt.....	65.00 ea
9253	58-60	Rear Qtr. Panel B/Strip at Rear - Lt.....	65.00 ea
9254	58-60	Rear Qtr. Panel B/Strip at Rear - Rt.....	65.00 ea

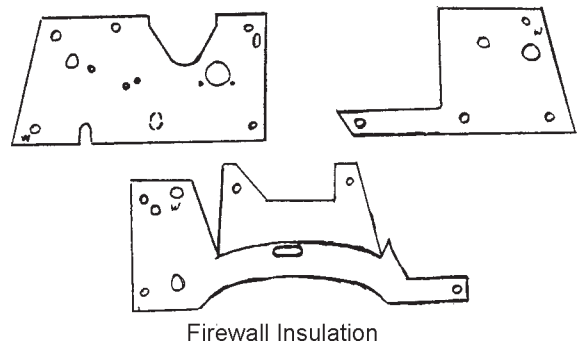
There is a Packaging or Crating Charge on Some Fiberglass Items - INQUIRE

"SHIPPING IS EXTRA ON ALL FIBERGLASS ITEMS"

56-62 Rear Panels & Rear Repair Panels (cont)



FIREWALL



Firewall Insulation

Firewall Insulation

Specify Year, Carb or FI, Manual or Auto, with or without Washers

9266	61-62	Stock Rear Quarter Panel - from center of wheel back - Lt (PM)	195.00 ea
9267	61-62	Stock Rear Quarter Panel - from center of wheel back - Rt (PM)	195.00 ea
9268	61-62	Full Rear Quarter Panel - Lt (PM)	300.00 ea
9269	61-62	Full Rear Quarter Panel - Rt (PM)	300.00 ea
9272	61-62	Tail Lamp Panel	450.00 ea
9273	61-62	Tail Lamp Panel Upper Bonding Strip (PM)	105.00 ea ND
9274	61-62	Upper Qtr Panel Side B/Strip - Lt...(PM)	95.00 ea ND
9275	61-62	Upper Qtr Panel Side B/Strip - Rt...(PM)	95.00 ea ND
9276	61-62	Rear Vert. Qtr Panel B/Strip- Lt...(PM)	75.00 ea ND
9277	61-62	Rear Vert. Qtr Panel B/Strip- Rt...(PM)	75.00 ea ND
9278	61-62	Rear Trunk Surround Panel.....(T)	450.00 ea
9279	56-62	Rocker Panel - Lt...(PM)	240.00 ea
9280	56-62	Rocker Panel - Rt...(PM)	240.00 ea

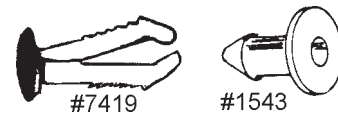
1545	53-55	Firewall Insulation Set w/o Fasteners (specify year)	139.00 set
7421	56-57	Firewall Insulation Set w/Fasteners - With Heater	139.00 set
1578	56-57	Firewall Insulation Set w/Fasteners - No Heater	159.00 set
1547	58-61	Firewall Insulation Set w/Fasteners - With Heater	139.00 set
7422	58-61	Firewall Insulation Set w/Fasteners - No Heater	159.00 set
7423	62	Firewall Insulation Set w/Fasteners - With Heater	139.00 set
7424	62	Firewall Insulation Set w/Fasteners - No Heater	159.00 set
7419	53-55	Fastener - Firewall Insulation (Metal)	2.50 ea
1543	56-62	Fastener - Firewall Insulation-Repl (11 req.)	2.25 ea

BONDING MATERIALS, FILLERS, and RESINS

9501	ALL	Body Filler and Adhesive, Quart	28.00 ea ND
9500	ALL	Body Filler and Adhesive, Gallon	89.99 ea ND
Above items are used to bond and fill regular fiberglass, but it will only fill sheet molded fiberglass not bond it.			
9507	ALL	Body Adhesive, Stronger Polyester for Regular Fiberglass and Sheet Molded Type, Quart	30.00 ea ND

There is a Packaging or Crating Charge on Some Fiberglass Items - INQUIRE

"SHIPPING IS EXTRA ON ALL FIBERGLASS ITEMS"

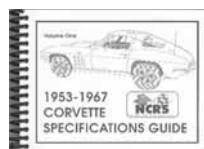


Firewall Related

1464	58-62	Firewall Grommet - 4 Holes	7.50 ea
1465	58-62	Firewall Grommet for Windshield Washer Hose	7.50 ea
9569	56-62	Firewall Grommet for Heater Hose	4.50 ea
1233	53-62	Firewall Grommet - 1 Hole - 7/8" Dia.	2.50 ea
7425	53-62	Firewall Grommet - 1 Hole - 1 3/8" Dia.	5.00 ea
1268	56-57	Body & Firewall Grommet Set	49.00 set
1269	58-62	Body & Firewall Grommet Set	49.00 set
1519	58	Tach Cable Grommet w/FI	20.00 ea
1521	62	Tach Cable Boot w/retainer	20.00 ea
1466	59-62	Hood Release Cable Grommet (2 req.)	3.50 ea
3445	56-62	Wire Harness "J" Clip - Zinc (overall length 1 1/4" long)	2.00 ea
3474	56-62	Wire Harness "J" Clip overall length 1 1/4"	3.00 ea
3487	56-62	Wire Harness "J" Clip overall length 1 5/8"	3.00 ea



Books and Manuals See Pages 208-211



FUEL SYSTEM

Carbon Steel Gas Lines - Pump to Carb

Gas Lines are steel tubing with double inverted flares & steel nuts, same as OEM. All are prebent into exact shape as original.

6101	55-56	195, 210 HP Line w/Repl Filter & 3 Fittings	53.50 set
6102	57	*220 HP Line w/Repl Filter & 3 Fittings	53.50 set
6110	58	230 HP Line w/Repl Filter & 3 Fittings	53.50 set
6103	59-62	230, 250 HP Line Single Carb w/Fitting	22.00 set
6105	56-58	Dual Fours, 3 Lines, 5 Fittings w/Repl Filter	65.00 set
6106	59-61	*Dual Fours, 3 Lines, 5 Fittings w/Repl Filter	65.00 set
6107	57-58	*FI Lines, 2 piece w/4Fittings	33.00 set
6108	59-61	FI Line w/Fittings (uses canister filter)	25.00 set
6114	62	FI Line w/Fittings	23.00 set
6111	62	300, 340 Line & 3 Fittings	23.00 set

*** 58 230HP with fuel pump #4445 uses our #6102 or #8102 Gas Line
58L 2x4 with fuel pump #4656 uses our #6106 or #8106
Our #6107 and #8107 should be used with #4445 fuel pump

Stainless Steel Gas Lines - Pump to Carb

All Gas Lines are 300 series S.S. tubing with double inverted flares and steel nuts. Prebent into original shape.

8101	55-56	195, 210 HP Line w/Repl Filter & 3 Fittings	58.00 set
8102	57	*220 HP Line w/Repl Filter & 3 Fittings	58.00 set
8114	58	230 HP Line w/Repl Filter & 3 Fittings	58.00 set
8103	59-62	230, 250 HP Line, Single Carb w/Fitting	25.00 set
8105	56-58	Dual Fours, 3 Lines, 5 Fittings w/Repl Filter	65.00 set
8106	59-61	*Dual Fours, 3 Lines, 5 Fittings w/Repl Filter	65.00 set
8107	57-58	*FI Line, 2 piece w/4 Fittings	42.00 set
8108	59-61	FI Line w/Fittings (uses canister filter)	30.00 set
8118	62	FI Line w/Fittings	30.00 set
8111	62	300, 340 HP & 3 Fittings	30.00 set

*** 58 230HP with fuel pump #4445 uses our #6102 or #8102 Gas Line
58L 2x4 with fuel pump #4656 uses our #6106 or #8106
Our #6107 and #8107 should be used with #4445 fuel pump

Carbon Steel - Tank to Pump Lines

Tank to Fuel Pump Gas Line - 5/16" and 3/8" diameter steel line from gas tank to fuel pump on engine. Includes special armor protector and brass unions where applicable.

6205	56E	5/16", 3 pieces w/unions	67.50 set
6209	56-57	3/8", 3 pieces w/unions	67.50 set
6213	58-61E	3/8", 2 pieces w/unions	59.00 set
6204	61L-62	3/8", 2 pieces	59.00 set

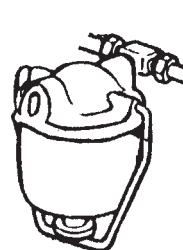
Stainless Steel - Tank to Pump Lines

Tank to Pump are 304 S.S. with double inverted flares and steel nuts. They are prebent to original shape and include special armor protector in SS where applicable.

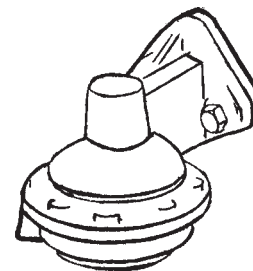
8208	56E	5/16", 3 pieces w/unions	85.00 set
8209	56L-57	3/8", 3 pieces w/unions	79.00 set
8213	58-61E	3/8", 2 pieces w/unions	69.00 set
8216	61L-62	3/8", 2 pieces	69.00 set

Clips & Related

4470	56E	Double Gas & Brake Line Frame Clip 5/16" Line	4.50 ea
4471	56L-57	Double Gas & Brake Line Frame Clip 3/8" Line	4.50 ea
6231	58-62	Fuel Line to Frame Clip Set	6.00 set
6234	56-62	Fuel Line to Frame Bolts (4)	4.50 set
4481	58-62	Brake & Fuel Line Clips	28.00 set



#6703



Fuel Pump

Fuel Filters

10386	53-58E	Domed Cap Fuel Filter with paper element CORRECT	65.00 ea
6703	55-62	Single Carb, Dual Fours and 62 300, 340 HP GF 48 Glass Bowl w/Repl Paper Filter	35.00 ea
10059	62	GF-90 Filter w/Silver Finish - CORRECT	59.00 ea
6704	62	62 F.I. GF 90 Filter w/Silver Finish (oversized plain filter with bracket)	17.50 ea
6701	56-62	Fuel Filter Element - original brown coarse molded material (correct for in glass bowl filter) GF 124	35.00 ea ND
8212	56-62	Fuel Filter Element - Repl Paper Filter	5.00 ea

Fuel Pumps - Replacements

Replacement AC Delco fuel pumps are new or rebuilt original style. These pumps do not carry the AC cast on top. These replacement pumps fit all factory style lines correctly, and are available for the following.

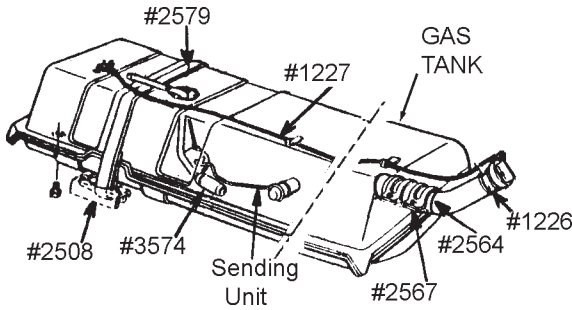
6761	56L	New Fuel Pump w/ 3/8" Line	69.00 ea
6761	57-58E	New Fuel Pump #4445 w/Std Engines	69.00 ea
6762	57L-58E	New Fuel Pump #4346 w/2X4 or FI, long screw	79.00 ea
6763	58L-62	New Fuel Pump #4656 All Engines - Repl.	63.50 ea

Fuel Pump Related

6776	56-62	Fuel Pump Mounting Bolts	3.00 pr
6715	55-62	Fuel Pump Push Rod	9.00 ea
6716	55-62	Fuel Pump Mount Plate	8.50 ea
6717	57-62	Fuel Pump Mount Plate Bolts	2.00 pr
6718	57-62	Fuel Pump Plate Gasket	2.75 ea
6775	59-62	Fuel Pump Rebuild Kit (for #4656)	35.00 kit
6778	57-81	Fuel Pump Gasket - GM	2.00 ea

Hoses & Related

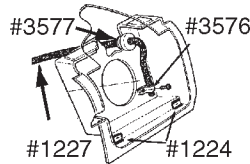
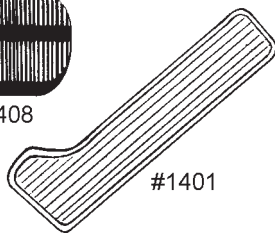
6802	56	Flex Hose, 2 x 4 Engine with 3/8 Gas Line	13.00 ea
6801	55-56	Flex Hose, 8 Cyl. with 5/16" Frame Gas Line	13.00 ea
6803	56-62	Flex Hose 3/8" Frame Gas Line (56 with 2 X 4 Carb)	13.00 ea
6848	56-62	Special 45 Degree Angle Fitting - Correct	13.00 ea
6804	56-62	Special 45 Degree Angle Fitting - Repl	3.50 ea
6202	61-62	Rubber Hose - Fuel Tank Sender to Long Line 3" Long w/2 Tower Clamps	8.00 set



GAS TANK & GAS DOOR

NEW STEEL GAS TANKS now available with O.L. Anderson Logo. Part #2529 can be used on 56-57E - a baffle was not used from 56-61E but it's an improvement you should take advantage of.

2528*	56-57E	Gas Tank - Steel (no vent, no baffles) can be used on 53-55 Corvettes	219.00 ea ND
2529*	57Mid-62	Gas Tank - Steel (vent pipe and baffles) *Includes #3585 gasket and #3584 screws	219.00 ea ND
2608	56-62	Gas Tank Cover -Fiberglass.....(PM)	139.00 ea
8622	53-61E	Gas Tank Cover Screw,Nut & Washer Set	15.00 set
8623	61L-62	Gas Tank Cover Screw,Nut & Washer Set	14.00 set
3140	56-62	Black Mohair Boot Liner - covers gas tank	29.00 ea
2616	56-60	Gas Filler Neck	49.00 ea
2617	61-62	Gas Filler Neck	49.00 ea
2564	56-62	Gas Tank to Filler Neck Hose	12.00 ea
2567	56-62	Gas Tank to Filler Neck Hose Clamps	6.00 pr
1226	53-62	Gas Filler Neck Grommet	9.50 ea
1227	56-62	Gas Tank Vent Hose	8.50 ea
3577	57-62	Gas Tank Vent Hose Grommet	3.00 ea
3576	56-62	Gas Tank Vent Hose Clip w/Screw	3.50 ea
1224	53-60	Gas Door Bumpers w/Screws	3.00 pr
1225	61-62	Gas Door Bumper - 2 req (correct)	3.00 ea
2605	61-62	Gas Door Spring	4.50 ea
2579	53-62	Gas Tank Strap	13.00 ea
2507	56-62	Gas Tank Strap Retainer - Rear	13.00 pr
2508	56-62	Gas Tank Strap Retainer - Front	10.50 pr
2597	56-62	Gas Tank Pad Set	4.75 pr
2555	53-62	Gas Cap - Replacement	19.50 ea
3579	56-61E	Gas Tank Sending Unit	69.00 ea
3580	61L-62	Gas Tank Sending Unit (exc 24 Gal.Tank)	69.00 ea
3585	53-62	Sender to Tank Gasket	3.50 ea
3574	56-62	Sending Unit Pick-Up Strainer	9.50 ea
10275	56-62	Fuel Sending Unit Float	8.00 ea
3584	56-62	Gas Tank Sender Mounting Screw with "O"-Ring (5 pcs)	7.50 set
10623	56-60	Gas Door Assembly - New	166.95 ea



GAS & BRAKE PEDAL PADS

1400	56-57	Gas Pedal	16.00 ea
1497	58-62	Gas Pedal (U.S. Made)	24.50 ea
1401	58-62	Gas Pedal	15.00 ea
1405	58-62	Gas Pedal Studs	4.00 pr
1415	53-57	Auto Brake Pad	16.00 ea
1407	56-57	3sp or 4sp Pedal Pad	5.00 ea
1408	58-62	Brake or Clutch Pad, Manual or Auto	5.50 ea
4392	53-62	Brake Pedal Return Spring Underdash	7.25 ea



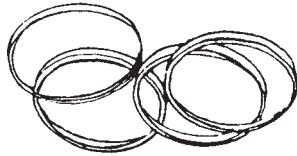
GASKETS & SEALS

1346	53-57	Wiper Chrome Spacer to Body Gasket	3.00 pr
1228	53-57	Headlight Bucket to Body Gasket	4.50 ea
2080	56-57	Tail Lamp Lens Gasket	4.50 pr
2249	56-57	Headlight Bezel Gasket	10.00 pr
2407	53-62	Outside Mirror Gasket	1.50 ea
1807	58-62	Front or Rear Emblem Seal	2.50 ea
1221	53-62	Courtesy Light Switch Gaskets	2.50 pr
1237	53-62	Washer Nozzle Gaskets	1.25 pr
1229	56-62	Door Lock Gaskets	2.00 pr
2085	56-60	Tail Lamp to Body Gasket	3.00 pr
2380	56-62	Door Handle Gaskets	4.00 set
2084	56-60	License Lens Gasket	3.50 pr
1327	58-62	Wiper Chrome Spacer to Body Gasket	2.50 pr
2039	53-57	Parking Lamp to Body Gasket	3.00 pr
2034	58-62	Parking Lamp to Body Gasket	3.00 pr
2032	53-62	Parking Lamp Lens Gasket	3.00 pr
2083	58-60	Outer Tail Lamp Lens Gasket	6.00 pr
2081	58-60	Inner Tail Lamp Lens Gasket	3.00 pr
2107	61-62	License Light Lens Gasket - White	2.50 ea
2086	61-62	Tail Light to Body Gasket (4 pc set)	6.00 set
2110	61-62	Tail Lamp Lens Gasket (4)	6.00 set
2114	56-62	Hardtop Anchor Nut Gasket75 ea
2458	56-62	Rear Soft Top Latch on Deck Gasket	3.00 pr

Gasket Sets

These sets include the most often requested gaskets and they save you money when ordering.

2000	56-57	Gasket Set (Includes: seals for mirror windshield frame end seals, windshield washer nozzles & wiper spacers, parking lamp lens & body, door & trunk lock cyl., door handles, courtesy lamp door switches, tail lamp lens & tail lamp to body & headlamp bucket, deck lid lock, license lens & antenna body. (31 pcs)	37.50 set
2001	58-60	Gasket Set (Includes: seals for mirror, windshield frame end seals, windshield washer nozzles & wiper spacers, parking lamp lens & body, door & trunk lock cyl., door handles, courtesy lamp door switches, tail lamp inner & outer lens and tail lamp to body, and front & rear emblems, deck lid locks, license lens & antenna body. (33 pcs)	39.50 set
2002	61-62	Gasket Set (Includes: seals for mirror, windshield frame end seals, windshield washer nozzles & spacers, license lens, parking lamp lens & body, door & trunk lock cyl., door handles, courtesy lamp door switches, tail lamp lens & tail lamp to body & rear emblem, deck lid locks & antenna (33 pcs)	39.50 set



Small Gauge Lenses

Speedo Lens

GAUGES AND GAUGE LENS

Instrument Lens Sets

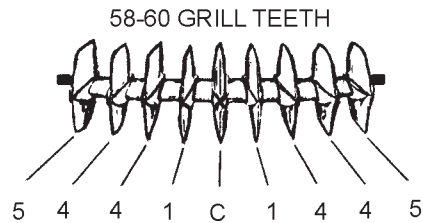
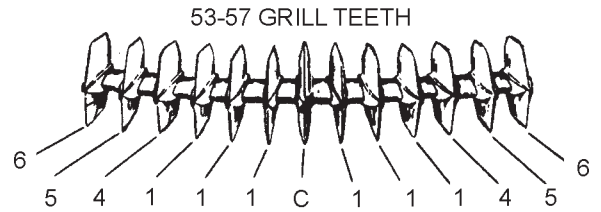
7940	53-54	Instrument Lens Set (9 pcs).....	126.50 set
7941	55-57	Instrument Lens Set (9 pcs).....	126.50 set
7942	58	Instrument Lens Set w/Lo-RPM (8 pcs) ..	102.95 set
7943	59-62	Instrument Lens Set (7 pcs).....	71.95 set

Speedometer, Tach & Small Gauges

7944	53-57	Speedo Face Chrome Bezel - Show Quality (GM Restoration Part).....	161.00 ea
10381	53-57	Speedo Face Chrome Bezel - excellent foreign repro	85.00 ea
5455	53-57	Speedo Lens (2 pcs)	43.00 ea
7946	58-62	Speedo Face Chrome Bezel - Show Quality	86.50 ea
10624	58-62	Speedo Face Chrome Bezel	69.95 ea
5461	58-62	Speedo Lens w/Numbers	35.95 ea
7947	53-62	Tachometer Chrome Bezel	52.95 ea
5460	53-62	Tach Outer Lens	13.50 ea
5456	53-54	Tach Face w/Numbers	29.95 ea
5457	55-57	Tach Face w/Numbers	29.95 ea
5619	55-58	Inner Tach Face w/Dots 6000 RPM	26.00 ea
5458	58	Tach Face w/Numbers 6000 RPM	29.95 ea
7949	58	Inner Tach Face w/Dots 8000 RPM	33.00 ea
7948	58	Tach Face w/Numbers 8000 RPM	33.00 ea
7950	53-62	Small Gauge Twin Chrome Bezel (2 req.) ..	36.95 ea
5479	53-58	Small Gauge Lens Set (4 pcs)	15.95 set
5464	59-62	Small Gauge Lens Set (4 pcs)	16.95 set
10625	58-62	CLOCK - New Quartz (does not fit all housings grinding of housing may be required)	139.95 ea
5486	53-57	Clock Face w/Numbers	21.50 ea
5487	58-62	Clock Face w/Numbers	16.95 ea
5413	53-55	Clock Face Chrome Bezel.....	52.50 ea
5414	56-57	Clock Face Chrome Bezel.....	52.50 ea
5462	53-57	Clock Lens	13.50 ea
5470	58-62	Clock Chrome Ring Bezel	21.50 ea
5471	56-57	Clock Knob	10.00 ea
5472	58-62	Clock Knob	10.00 ea
5344	53-58	Fuel Gauge Face	34.00 ea
5345	53-58	Temp Gauge Face	34.00 ea
5346	53-58	Amp Gauge Face	34.00 ea
5347	53-58	Oil Gauge Face	34.00 ea
10300	53-58	Tachometer Needle	32.95 ea
10391	59-62	Speedometer Needle	18.95 ea
7961	59-62	Tachometer Needle	18.95 ea

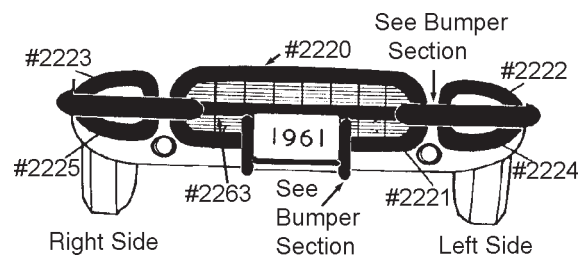
Tachometer Assemblies - Specify RPM and Generator or Distributor Drive when ordering

6640	55-57	Tachometer Assembly	425.00 ea
6641	58	Tachometer Assembly	425.00 ea
6750	59	Tachometer Assembly	369.00 ea
6751	60E	Tachometer Assembly	369.00 ea
6752	60L-61E	Tachometer Assembly	369.00 ea
6753	61L	Tachometer Assembly	369.00 ea
6754	62	Tachometer Assembly	369.00 ea



GRILL

7390	53-57	Complete Grill and Oval Kit (Includes: Grill Oval, Bar, Teeth, Studs, Back Plates, Bar Mounting Brackets and Oval Mount Retainer Plate Set)	1225.00 set
2219	53-57	Grill Oval	829.00 ea
7391	53-57	Grill Oval Mount Retainer Plate Set	25.50 set
8577	53-57	Grill Oval Mounting Stud, Nut & Washer Set - Zinc	23.50 set
7392	53-57	Grill Assembly (Includes: Bar, Teeth, Studs, Backplates and Mounting Brackets)	369.00 set
2260	53-57	Grill Bar	139.00 ea
2261	53-57	Grill Teeth (set of 13) with #7393 Mounting Kit	219.00 set
2286	53-57	Grill Mounting Brackets (5 pcs)	37.50 set
7393	53-57	Grill Teeth Mounting Kit (13 Backplates & 26 Studs)	36.50 set
2292	58-60	Grill Assembly (Includes: Bar, Teeth, Studs, Backplates and Brackets)	249.00 set
2262	58-60	Grill Bar	99.00 ea
2265	58-60	Grill Teeth (set of 9) with #7394 Mounting Kit	149.00 set
2264	58-60	Grill End Brackets	16.00 pr
7394	58-60	Grill Teeth Mounting Kit (9 Backplates & 18 Studs)	25.50 set
8574	53-60	Grill Teeth Stud	1.50 ea
2291	53-60	Grill Teeth Backplate	1.75 ea
7395	53-60	Individual Grill Teeth (Specify Year and Number)	22.00 ea
10148	61	Grill	389.00 ea ND
10149	62	Grill (specify black or gold)	389.00 ea ND
2263	61-62	Grill Bar ..(has notch as original).....	89.00 ea
2268	62	Grill Spacer Set (10 pcs)	10.00 set

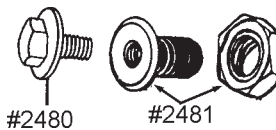
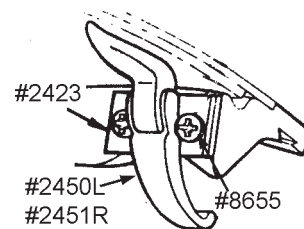


GRILL MOLDINGS - See Next Page

GRILL (continued)

See Previous Page for More

7398	58-62	Grill Molding Set - 6 pcs (2 main and 4 outers) w/Mounting Kit	679.00 set ND
2220	58-62	Upper Center Grill Molding	239.00 ea
2221	58-62	Lower Center Grill Molding	269.00 ea
2222	58-62	Upper Outer Grill Molding - Lt.	65.00 ea
2223	58-62	Upper Outer Grill Molding - Rt.	65.00 ea
2224	58-62	Lower Outer Grill Molding - Lt.	65.00 ea
2225	58-62	Lower Outer Grill Molding - Rt.	65.00 ea
All 58-62 Grill Moldings are GM Restoration Parts and chrome quality may vary			
8579	58-62	Grill Upper & Lower Chrome Molding Nut & Washer Set - zinc (84 pcs)	7.00 set
8584	58-62	Grill Upper & Lower Chrome Molding Nut & Washer Set - Stainless (84 pcs) ...	10.00 set
8578	58-62	Grill Upper & Lower Chrome Molding Stud, Nut & Washer Set (used to repair your old moldings), Zinc (112 pcs)	24.50 set
3390	58-62	Front Nose (Grill) Support Rod (2 req.)	22.00 pr
8585	58-62	Support Rod Bolts "TR" (2)	7.00 pr
3391	58-62	Front Nose (Grill) Support Rod Bracket (2 req.)	11.00 pr



HARDTOP

Hardtop Repair Kits

Include Rear and Side Windows (dated), barrel nuts, short studs, rivet kit, bottom rear retainer(s) and screw kit.

8596	56-58	Hardtop Repair Kit	714.00 kit LD
8597	59-60	Hardtop Repair Kit	714.00 kit LD
8598	61-62	Hardtop Repair Kit	714.00 kit LD
2493	56-62	Htp Back Window Barrel Nut - S.S. (20 req)	3.50 ea ND
2465	56-62	Htp Back Window Short Stud (18 req)	3.50 ea ND
8586	56-62	Htp Back Window Long Stud (14 req)	3.50 ea ND
8587	56-60	Htp Rivet Kit (Qtr Window Top & Bottom, Vertical Weatherstrip & Thru Glass)	15.00 kit ND
8588	61-62	Htp Rivet Kit (Qtr Window Top & Bottom, Vertical Weatherstrip & Thru Glass)	18.00 kit ND
8590	56-60	Htp Back Window Rivet Shims - 1 req	18.00 ea ND
8595	61-62	Htp Back Window Rivet Shim - 2 req	35.00 ea ND
8591	56-60	Htp Fastener Kit - Htp Roof Skin to Frame (includes #8587)	43.00 set ND
8592	61-62	Htp Fastener Kit - Htp Roof Skin to Frame (Includes #8588)	43.00 set ND
2687	57-62	Htp Front Header S.S. Mldg Retainer	55.00 ea ND
5063	56-62	Htp Back Window Mldg Upper Retainer	85.00 ea ND
5064	61-62	Htp Back Window Lower Retainer - Lt	110.00 ea ND
5065	61-62	Htp Back Window Lower Retainer - Rt	110.00 ea ND
5066	56-58	Htp Quarter Window Retainer - Lt	30.00 ea ND
5067	56-58	Htp Quarter Window Retainer - Rt	30.00 ea ND
5068	56-58	Htp Back Window Side Retainer - Lt	30.00 ea ND
5069	56-58	Htp Back Window Side Retainer - Rt	30.00 ea ND
5076	59-60	Htp Back Window Side Retainer - Lt	30.00 ea ND
5077	59-60	Htp Back Window Side Retainer - Rt	30.00 ea ND
5070	61-62	Htp Back Window Side Retainer - Lt	30.00 ea ND
5071	61-62	Htp Back Window Side Retainer - Rt	30.00 ea ND
5072	56-58	Htp Back Window Bottom Retainer	160.00 ea ND
5073	59-60	Htp Back Window Bottom Retainer	215.00 ea ND
8581	56-62	Htp Screw Kit (interior & exterior)	27.50 set ND
2630	56-60	Side Window for Hardtop - Dated	69.00 pr ND
2635	61-62	Side Window for Hardtop - Dated	69.00 pr ND
2621	56-60	Htp Rear Window Plexiglass - Dated	339.00 ea ND
2623	61-62	Htp Rear Window Plexiglass - Dated	339.00 ea ND

Specify Date Code or Production Number of car when ordering Date Coded Windows

Hardtop (cont)

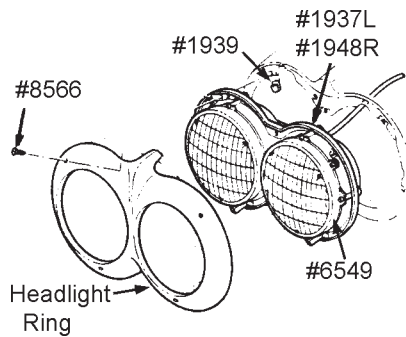
2450	56-62	Header Lock, Htp - Short Handle - Lt	112.95 ea
2451	56-62	Header Lock, Htp - Short Handle - Rt	112.95 ea
2423	56-62	Front Lock Adjuster Plates - Conv or Htp w/Screws & Washers	38.95 pr
8655	56-62	Htp Front Latch Screws & Washers (4)	4.50 set
2454	56-62	Front Guide Pin - Conv or Hardtop	7.00 ea
2472	61-62	Hardtop Side Brackets - Correct Repro ..	149.00 pr ND
2666	56-60	Hardtop Mounting Kit (3 - #2480, 3 - #2481, and Gaskets)	24.00 set
2667	61-62	Hardtop Mounting Kit (4 - #2480, 4 - #2481, and Gaskets)	32.00 set
2480	56-62	Hardtop Hold Down Bolt (56-60 3 req., 61-62 4 req.)	3.50 ea
2481	56-62	Hardtop Hold Down Anchor Nut w/Jam Nut (56-60 3 req., 61-62 4 req.)	6.00 ea
2114	56-62	Hardtop Hold Down Anchor Nut Gasket75 ea
2680	58-62	Hardtop Wrench (required by NCRS and Bloomington Gold for all cars equipped with Hardtop - exact repro)	25.50 ea
2490w	57-62	Front Center Clip - Outer	11.00 ea
2492	56-62	Rear Inside Clip - Hardtop	9.00 ea
2491	56-58	Hardtop Side "Y" Molding	35.00 pr
2422	56-62	Rear Window Upper 90 Degree Corner Molding	12.00 ea



2419	56-57E	Hardtop Side Receiver Moldings	49.50 pr
2494	57L-58E	Hardtop Side Receiver Moldings	49.50 pr
2919	58L-60	Hardtop Side Receiver Molding w/Rubber Insert and Hardware	125.00 pr
2474	58L-60	Rubber Insert - Hardtop Receiver	45.00 pr
9082	56-62	Deck Lid Protectors - Specify Hardtop or Soft Top and Black or Clear (static cling film no adhesive needed)	27.00 ea
6311	All	Hardtop Hoist - 2 pulley system attaches to garage rafters to get the hardtop removed from your car (includes nylon sling, nylon rope, hardware and instructions)	39.95 ea ND

Also see WEATHERSTRIP & FASTENER Sections

HEADLIGHT



1931	56-57	Headlight Ring Bracket Mount Kit (1 req) ...	37.70 kit
2250	56-57	Headlight Ring Chrome Bezel	69.00 ea ND
8565	56-57	Headlight Bezel Screws - phillips head (6) ...	2.50 set
1228	53-57	Headlight Bucket to Body Gasket	4.50 ea
2249	56-57	Headlight Ring Edge Gasket	10.00 pr
8637	56-57	Headlight Bucket to Body Correct Clutch Head Screw (14).car set.	8.00 set
1950	58-62	Headlight Buckets - PAIR	179.00 pr LD
1937	58-62	Headlight Bucket (less capsule unit) Lt or Rt	95.00 ea
1939	58-62	Headlight Bucket to Body J-Nut & Screw Kit Clutch Head Type (28 pcs)	19.50 set
1949	58-62	Headlight Bucket Mtg. J-Nut (14 req.)...	1.75 ea
8638	58-62	Headlight Bucket to Body Correct Clutch Head Screw (14) - 2 req. per car	8.00 set
9546	53-57	HL Bucket Wire Harness Grommet	7.00 ea
1942	58-62	Headlight Harness Connector Clip to Inner Fender (4 pcs)	13.00 set
1947	58-62	Headlight Ring Bracket Mount Kit (1 req.) ..	30.50 kit
2251	58-60	Headlight Chrome Molding	115.00 pr
2252	61-62	Headlight Ring (Molding)	69.00 ea
2290	61-62	Headlight Ring Chrome Extension - Repr	38.95 pr
8566	58-62	Headlight Ring Screws (8 pcs).....	3.50 set
6550	58-62	HL Bulb Retaining Cup - Inner Lt	15.00 ea
6551	58-62	HL Bulb Retaining Cup - Inner Rt	15.00 ea
6552	58-62	HL Bulb Retaining Cup - Outer Lt	15.00 ea
6553	58-62	HL Bulb Retaining Cup - Outer Rt	15.00 ea
1951	53-62	Headlight Adjuster w/screw Set (includes 8 pcs of #1943w)	13.00 set
1943	58-62	Headlight Bulb Adjuster w/Screw	3.00 ea
1944	58-62	Headlight Bulb Adjuster Tension Spring Offset Type	4.00 pr
6549	58-62	Headlight Bulb Stainless Steel Retaining Ring	11.00 ea
1954	58-62	Headlight Bulb Retaining Ring Screws (12) Correct	8.00 set
1972	56-57	T-3 Headlight Bulbs (set of 2)	99.95 pr
1973	58-59	T-3 Headlight Bulbs (set of 4)	119.00 set
1997	60-62	T-3 Headlight Bulbs (set of 4)	119.00 set

Also see **FASTENER, EXTERIOR TRIM & WIRING** Sections



#1972 56-57



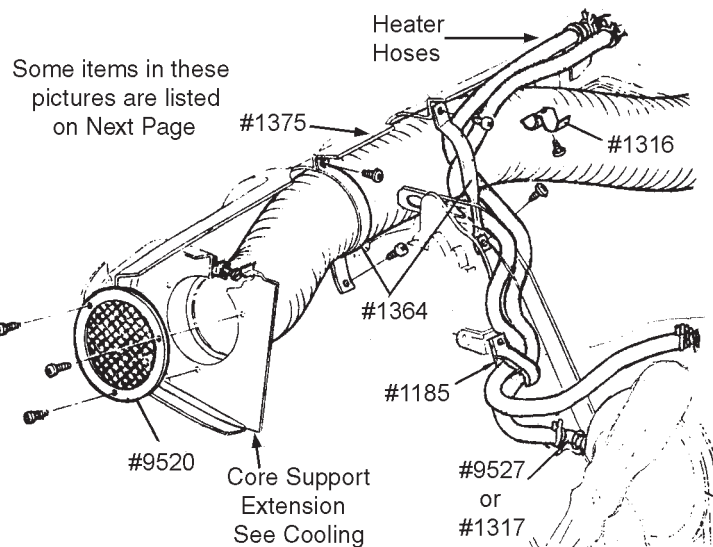
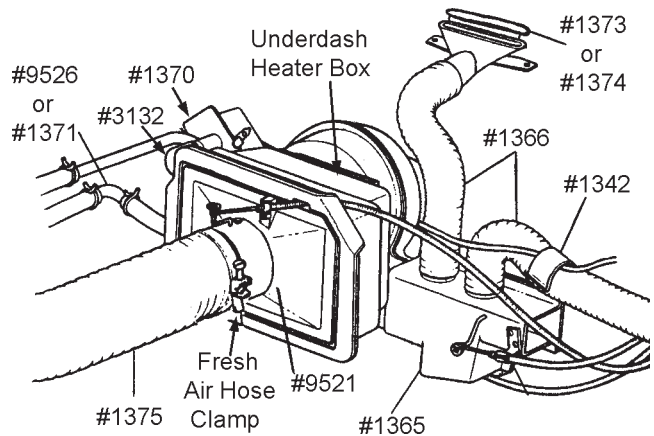
#1973 58-59



#1997 60-67

HEATER

1376	56-57	Pressboard Defroster Box w/Hose.	185.00 ea
1365	58-62	Pressboard Defroster Box w/Hose	129.00 ea
1366	56-62	Defroster Hose - Correct (does one car) ...	17.95 ea
1342	56-62	Defroster Hose Bracket	10.75 ea
1343	58-62	Defroster Box Cable Clip	2.50 ea
1373	53-57	Defroster Outlet Bezel - Chrome.	11.00 ea
1374	58-62	Defroster Outlet Bezel - Primed.	11.00 ea
1375	56-62	Fresh Air Hose - Correct	27.00 ea
9532	56-57	Fresh Air Inlet Screen Assembly	61.00 ea
9520	58-62	Fresh Air Hose Inlet Screen w/Screws	21.00 ea
1367	56-62	Air Cleaner Block-Off Plate for Non-FI on Radiator Support - LH	19.50 ea
1363	56-57	Fresh Air Hose Bracket (1 req.)	9.50 ea
1364	58-62	Fresh Air Hose Brackets.	14.00 pr
1670	56-62	Fresh Air Hose Clamp - Repl. (2 req.)	8.00 ea
1683	56-60	Fresh Air Hose Clamp - Correct (2 req.) ...	14.95 ea
1671	61-62	Fresh Air Hose Clamp - Correct N.O.S. (2 req.)	8.50 ea
1355	57-62	Heater Blower Motor - Replacement	59.00 ea
9521	56-62	Outer Heater Cover w/Flapper Door.	147.00 ea
9522	56-62	Outer Heater Cover Flapper Door Only w/Rod & Seal	31.00 ea
1372	56-62	Heater Gasket Set	14.00 set
9525	56-62	Heater Core - New Repr	115.00 ea
9517	56-62	Heater Box Underdash (fiberglass)	105.00 ea
9533	56-62	Heater Box to Firewall Stud/Nut Set	18.00 set



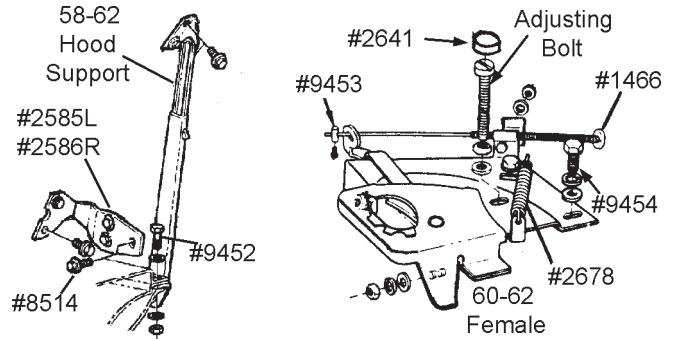
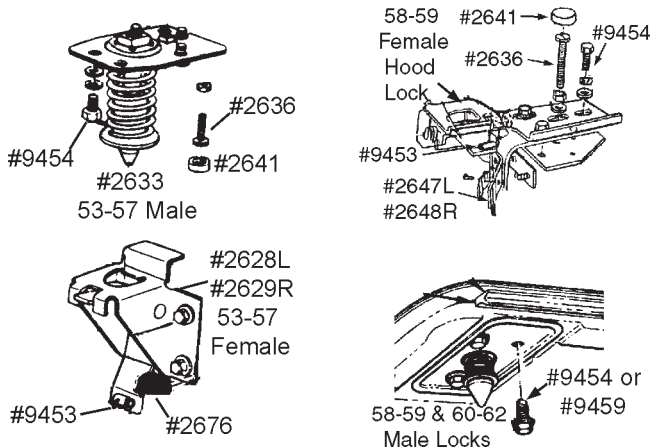
Some items in these pictures are listed on Next Page

HEATER(continued)

1347	56-58E	Heater Hose Set (two 5/8" Hoses) -Ribbed No Logo	27.00 pr
1348	58L-62	Heater Hose Set (one 5/8" Hose and one 3/4" Hose) - Ribbed No Logo	27.00 pr
1397	59-62	Heater Hose Set w/Red & White GM Logos	38.00 pr
9513	56-57	Heater Control Valve Seals	25.50 pr
3132	58-62	Heater Control Valve to Heater Core 90 Degree Hose	9.00 ea
9569	56-62	Firewall Grommet for Heater Hose	4.50 ea
1337	61-62	Heater Hose Aluminum Tie Strap Set	16.00 set
1185	58-62	Htr. Hose Bracket - Below Generator	14.00 ea
1316	56-62	Heater Hose "Y" Bracket on Inner Fender (number required depends upon how many were on your car originally)	13.00 ea
1370	58-62	Water Heater Control Valve.	55.00 ea
9526	58E	5/8" to 5/8" 90 Degree Brass Elbow for Heater Outlet Hose.	9.00 ea
1371	58L-62	5/8" to 3/4" 90 Degree Elbow for Heater Outlet Hose.....	15.00 ea
1267	61-62	Top of Water Pump 90 Degree Fitting	16.00 ea
9527	55-58E	Curved Water Pump Fitting for 5/8" Hose ..	16.50 ea
1317	58L-62	Curved Water Pump Fitting for 3/4" Hose ..	16.50 ea
9528	56-62	Heater Hose Fitting on Intake Manifold with 3/8" Pipe Thread.....	9.00 ea
1318	59-62	Heater Hose Fitting on Intake Manifold with 1/2" Pipe Thread.....	8.50 ea
1323	56-62	1/2" to 3/8" N.P.T. Heater Hose Nipple or Intake Nipple ADAPTER	5.50 ea
9530	61-62	3/4" to 1/2" N.P.T. ADAPTER	7.00 ea
5495	58-62	Chrome Insert Plate for Clock & Controls	129.00 ea
10626	58-62	Heater Switch Assembly w/Cable.....Coming Soon	
1338	58-62	Nut - Heater Control Switch	17.00 ea
1350	58	Heater Switch & Defroster Control Knob ..	19.75 ea
1351	59-60	Heater Switch & Defroster Control Knob ..	19.75 ea
1352	61-62	Heater Switch & Defroster Control Knob	28.00 ea
9544	58-60	Air Inlet or Temp Control Cable KNOB only ..	19.75 ea
9545	61-62	Air Inlet or Temp Control Cable KNOB only ..	19.00 ea
1353	58-60	Air Inlet Control Cable w/Knob	59.00 ea
1358	58-60	Temp. Control Cable w/Knob	59.00 ea
1354	61-62	Air Inlet Control Cable w/Knob	59.00 ea
1359	61-62	Temp. Control Cable w/Knob	59.00 ea

Also see **COOLING SYSTEM (for Hose Clamps)**

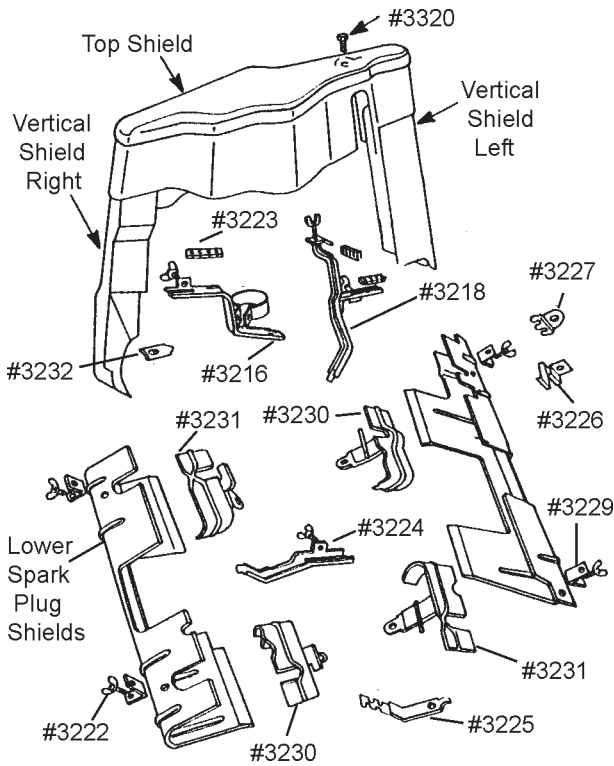
HOOD



HOOD

9488	53-57	Hood Hinges	293.00 pr
8516	53-57	Hood Hinge to Hood "WB" Bolt Kit (4 pcs) ..	6.00 set
Our Hood Supports and Hinges have the correct rivets & washer springs			
2639	53-57	Hood Support.....	73.00 ea
9450	58E	Hood Support - Right Hand Mount.	72.50 ea
9451	58L-62	Hood Support - Left Hand Mount.	57.75 ea
9449	60-62	Hood Support Reinforcement	30.50 ea
9452	58-62	Hood Support Clutch Head Screws (4 pcs) ..	3.50 set
8563	53-62	Hood Support Pin (prevents hood from closing in the wind)	6.00 ea
2634	53-57	Front Hood Pop-Ups	79.00 pr
2633	53-57	Male Hood Lock on Hood	75.00 pr
2628	53-57	Female Hood Lock Assy on Firewall - Lt ..	82.00 ea
2629	53-57	Female Hood Lock Assy on Firewall - Rt .	92.00 ea
8517	53-57E	Female Hood Lock "TR" Bolt Set (2 pcs)	7.00 pr
2696	53-57	Female Hood Lock Spring, Pin & Clip	13.00 ea
2632	56-57	Hood Stabilizer Blocks	15.50 pr
2631	56-57	Hood Stabilizer Block Screws & Washers ...	3.50 set
2626	56-57	Hood Release Cable Assy. w/Handle & Brackets - Correct.....	135.00 ea
2676	53-57	Hood Release Cable Retainer - Fastens Cable to Firewall (4)	14.50 set
9453	53-62	Hood Release Cable Stop w/Clutch Head Screw.	7.00 pr
2636	53-59	Hood Bumper Adjusting Screws, nuts, and washers	4.50 pr
2637	60-62	Hood Bumper Adjusting Bolt, nut & washer ..	3.00 pr
2641	53-62	Hood Rubber Bumpers.....	4.00 pr
2627	58-62	Hood Release Cable Assy. w/Correct Handle	72.50 ea
9458	58-62	Nut w/Washer - for Hood Release Cable	3.50 ea
1466	59-62	Hood Release Cable Grommet (2 req)	3.50 ea
2645	58-59	Female Hood Lock Assy.....	65.00 ea
2675	58-59	Female Hood Lock Lever Only	20.00 ea
2697	58-59	Female Hood Lock Spring, Pin & Clip	12.00 ea
2647	58-59	Hood Cable Bracket near Female Lock w/Clamp - Left.....	16.00 ea
2648	58-59	Hood Cable Bracket near Female Lock w/Clamp - Right.....	16.00 ea
2678	60-62	Female Hood Lock Tension Spring.....	4.00 ea
9454	53-62	"TR" Bolt 1/4-20 x 5/8" LG. (6 pcs) (58-62 Female Hood Lock or 53-58E Male Hood Lock).....	4.50 set
9459	58L-62	Male Hood Lock Bolts "C" Headmark 5/16 - 18 x 3/4" indented hex with toothed flange (6 pcs)	14.00 set
2646	58-59	Male Hood Lock Assy	63.00 ea
2643	60-62	Male Hood Lock Assy	63.00 ea
2585	58-62	Hood Hinge - Left	25.00 ea
2586	58-62	Hood Hinge - Right	25.00 ea
8514	58-62	Hood Hinge Bolts (10 pcs) Correct 3 Dot Headmark 5/16" - 18 x 3/4" indented hex with external toothed sems washers	18.00 set
2893	59-60	Hood Seal - Radiator Support to Hood	28.00 ea

Hood Assemblies - See Fiberglass Section



IGNITION SHIELDING

3235	56-59	Ignition Shield Set, exc. FI	389.00 set ND
8010	60	Ignition Shield Set, exc. FI	389.00 set ND
8011	61	Ignition Shield Set, exc. FI	389.00 set ND
8012	62	Ignition Shield Set, exc. FI	389.00 set ND
3236	57	FI Ignition Shield Set	449.00 set ND
8013	58-59	FI Ignition Shield Set	449.00 set ND
8014	60	FI Ignition Shield Set	449.00 set ND
8015	61	FI Ignition Shield Set	449.00 set ND
8016	62	FI Ignition Shield Set	449.00 set ND

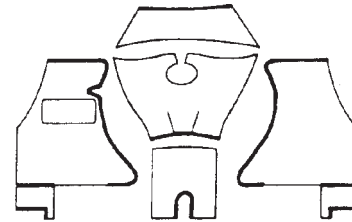
Ignition Shielding Sets include all parts pictured above. The only parts not included in kits are the items whose descriptions are highlighted.

3210	56-60	Top Shield	159.00 ea
3211	61	Top Shield	159.00 ea
8017	62	Top Shield	159.00 ea
3213	57	FI Top Shield	222.75 ea
3214	58-60	FI Top Shield	222.75 ea
3215	61	FI Top Shield	222.75 ea
3209	62	FI Top Shield	222.75 ea
3216	56-62	Top Ignition Coil Bracket - RH	25.00 ea
10534	56-62	Coil Bracket Screw w/Washer (2 pcs)	1.25 ea
3218	56-62	Top Ignition Shield Bracket - LH	24.50 ea
8018	56-57	Figure "8" Coil Bracket	115.00 ea ND
3212	57-62	FI Top Ignition Shield Bracket - RH	18.50 ea
3217	57-62	FI Coil Bracket on Intake	16.50 ea
3219	56-59	Vertical Shield - Rear LH (stamped steel)	37.50 ea
3220	60-62	Vertical Shield - Rear LH (stainless)	25.50 ea
3221	56-59E	Vertical Shield - Rear RH (with round lower mounting hole)	50.00 ea
8047	59L-62	Vertical Shield - Rear RH (with oval lower mounting hole)	49.00 ea
3320	56-61	Hex Bolt, Top Shield (3 req)	1.50 ea
8027	62	Hex Bolt, Top Shield (3 req)	1.75 ea

3222	56-62	Wing Bolt, Chrome (set of 10)	7.50 set
3223	56-62	Grommet with (4) Holes (set of 4)	8.00 set
3224	56-62	Bracket - Lower Vertical Rear LH	12.50 ea
3225	56-62	Wire Clip - Lower Rear RH	16.75 ea
3226	56-62	Wire Clip - On Oil Pan Bolt	3.50 ea
3227	56-62	Wire Clip - On Block Front (2 req.)	2.00 ea
3228	56-61	Lower Spark Plug Shields - Correct	89.00 pr
8019	62	Lower Spark Plug Shields - Correct	89.00 pr
3229	56-62	"L" Bracket - Lower Spark Plug Shields (4 req.)	3.00 ea
3230	56-62	Plug Shields Inner (1 - Rt Frt or Lt Rear and 1 Lt Frt or Rt Rear) - Correct	23.00 pr
10078	56-62	Plug Shields Inner (1 - Rt Frt or Lt Rear and 1 Lt Frt or Rt Rear) Excellent Repl	15.00 pr
3232	56-62	"J" Clip - Ign Shield Right Vertical	1.50 ea
3208	56-57	Lower Curved Plug Wire Shields	29.00 pr

See Engine Section for Spark Plug Wires & Ignition Coils

INTERIORS



58-62 Carpet Set

COLOR PHOTOS - See Page 3

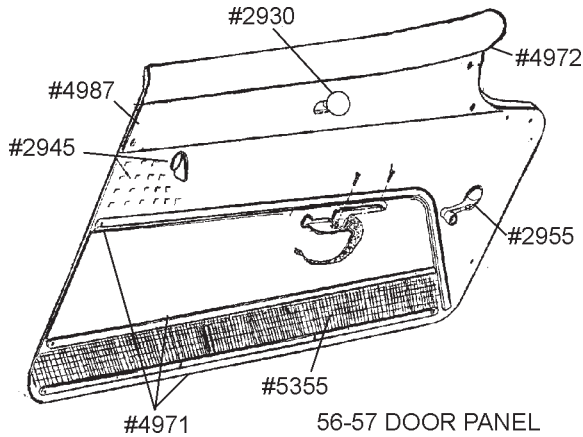
Carpet Sets

Specify Year and Color when ordering, all carpet has Foam Backing.

5006	56-57	Daytona Weave - Correct	475.00 set ND
5003	58-59E	Daytona Weave - Correct	475.00 set ND
5015	56-57	Daytona Weave - Very Similar Repl	319.00 set
5017	58-59E	Daytona Weave - Very Similar Repl	319.00 set
5002	56-57	Daytona Weave - Repl (Small Loop)	239.00 set
5004	58-59E	Daytona Weave - Repl (Small Loop)	239.00 set
5020	59L-60	**Salt & Pepper (Tuxedo)	219.00 set
5025	61-62	**Salt & Pepper (Tuxedo)	219.00 set
** NOTE: 59L-62 Black Salt & Pepper was a mix of olive green and black. If you prefer all black order #5005 59-60 or #5008 61-62			
5005	59L-60	Jet Black Carpet Set - 80/20 Loop	219.00 set
5008	61-62	Jet Black Carpet Set - 80/20 Loop	219.00 set
5049	53-62	Dimmer Switch Grommet, Correct Rubber	8.50 ea
5013	56-59E	Carpet Floor Mats-Daytona Weave matches carpet sets #5006 and #5003	175.00 pr ND
5016	56-59E	Carpet Floor Mats with Logo - Similar Daytona Weave - matches carpet sets #5015 and #5017	109.00 pr
5014	59L-62	**Carpet Floor Mats w/Logo	89.00 pr ND
** NOTE: 59L-62 Black Salt & Pepper Carpet was a mix of olive green and black. If you prefer all black please specify when ordering)			

3604	ALL	Carpet Glue - Brush-On (Quart)	14.95 Qt ND
3697	ALL	Trim Adhesive Spray - 3M	14.95 ea

4963	56-62	Heat Barrier Kit (6 pcs) - helps reduce interior temperature without sacrificing carpet fit	99.95 set LD
-------------	--------------	--	---------------------



COLOR PHOTOS - See Page 3

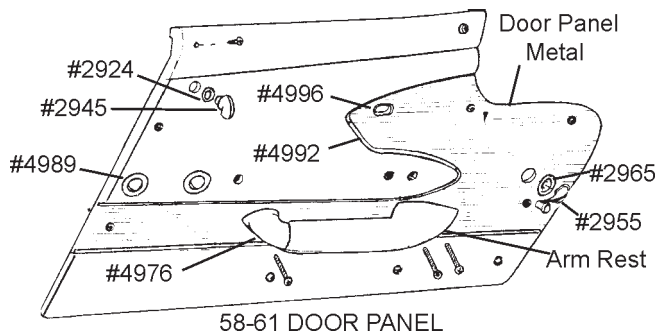
Door Panels & Arm Rests

Specify Year and Color

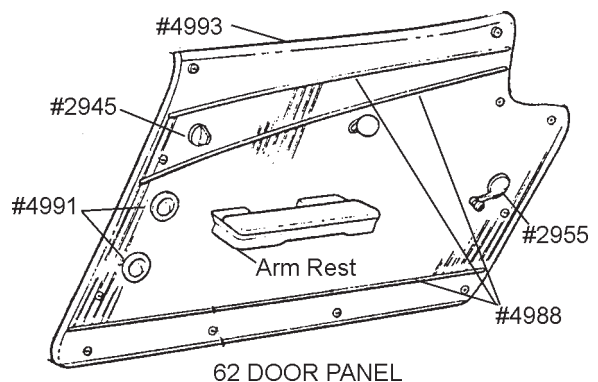
4806__	56-57	Complete Deluxe Door Panels Set with Correct Waffle Pattern includes deluxe door panels plus covered upper rails, door opening trim panels, door pull and lock knobs and arm rest cups 1347.00 set ND
4804__	56-57	Deluxe Door Panels w/Correct Waffle Pattern Assembled with Trim & Sheet Metal Installed and upper rail covers 811.00 pr ND
4805__	56-57	Door Panel Assembly w/Correct Waffle Pattern - Less Chrome Trim (Vinyl Mounted on Cardboard & Complete Arm Rest Build-Up Kit) with Upper Rail Covers 522.00 pr ND
4889__	58	Complete Deluxe Door Panels - includes deluxe panels plus arm rest assemblies w/chrome ends & covered upper metals 1329.00 pr ND
4807__	58	**Deluxe Door Panels (Lower Only) 909.00 pr ND
** 58 Lowers include sheet metal, "S" trim, reflectors, bezels, and grommets (also includes upper covers)		
4808__	58	Door Panel Upper w/Covers Installed 229.00 pr ND
4810__	58	Door Panels - Lower Vinyl on Cardboard & Upper Vinyl only 229.00 pr ND
4809__	59	Deluxe Door Panels (less arm rests) 799.00 pr ND
4828__	59	Door Panel with Upper Metal Supports installed Less Trim 259.00 pr
4815__	59	Door Panel w/o Upper Metal Supports 159.00 pr
4813__	60	**Deluxe Door Panels (less arm rests) ... 799.00 pr ND
4814__	61	**Deluxe Door Panels (less arm rests) ... 799.00 pr ND
4820__	60-61	**Door Panel w/o Upper Metal Supports . 169.00 pr
4826__	60-61	**Door Panel with Upper Metal Supports installed Less Trim 259.00 pr
4819__	62	**Deluxe Door Panels (less arm rests) ... 549.00 pr
4830__	62	**Door Panel w/o Upper Metal Supports . 169.00 pr
4833__	62	**Door Panel with Upper Metal Supports installed - Less Trim 259.00 pr
** 60-62 Door Panels in Black - choose either the original Olive Green and Black carpet (code 20) or 100% Jet Black carpet (code B1) Specify Your Choice		
4972	56-57	Upper Door Panel Rails with Covers 289.00 pr ND
4974	58	Upper Door Panel Metal 169.00 pr
4993	59-62	Upper Metal Door Panel Supports 55.00 pr
5355	56-57	Door Panel Lower Sheet Metal 215.00 pr
5356	58	Door Panel Sheet Metal w/Kick Panel Metal (Pre-punched) 299.00 set
4829	59	Door Panel Sheet Metal w/Kick Panel Metal (Pre-punched) 299.00 set

5357	60	Door Panel Sheet Metal w/Kick Panel Metal (Pre-punched) 299.00 set
5358	61	Door Panel Sheet Metal w/Kick Panel Metal (Pre-punched) 299.00 set
4987	56-57	Door Panel Trim that knob comes thru ... 169.00 pr
4971	56-57	Door Panel Chrome Trim Set (6 pcs) 195.00 set
4992	58-61	Door Panel "S" Chrome Trim (12 pc) 275.00 set LD
4988	62	Door Panel Trim (6 pcs) 190.00 set
4989	58-61	Door Panel Reflector Set w/Brackets 75.00 set
4991	62	Door Panel Reflector Set w/Brackets 75.00 set
4996	58-61	Door Opening Bezel on Door Panel 22.00 pr
4981	62	Door Opening Bezel on Door Panel 9.00 ea
5365	58-62	Door Panel Flush (eyelet) Washer Set (8 pcs) 3.00 set
2930	53-62	White Door Opening Knob 10.00 pr
2982	60-67	Door Control Shield 5.00 pr
2945	56-62	Door Lock Knob - 16.75 ea
2924	56-62	Lock Knob Plastic Spacer - Correct. 3.50 pr
2955	56-62	Window Crank Handle. 12.00 ea
2925	56-62	Window Crank Spring 3.00 ea
2965	56-62	Window Crank Spacer - Plastic. 2.00 ea
2926	56-62	Window Crank Foam Seal - behind door panel - Correct 9.00 ea
2983	56-82	Window Crank & Lock Knob Retainer Clip75 ea
4998	58	Arm Rest Assemblies - Complete with Covers installed, Arm Rest Ends and Screws - Assembled 239.00 pr
4997	59-61	Arm Rest Assemblies - Complete with Covers installed, Arm Rest Ends and Screws - Assembled. 239.00 pr
4994	58-61	Plastic Arm Rest Unit 63.00 pr
4976	58-61	Arm Rest Ends (Chrome).. 115.00 pr
4995	58	Arm Rest Covers (Specify Color) 41.50 pr
4983	59-61	Arm Rest Covers (Spec. Year & Color) ... 20.00 pr
4985	62	Arm Rest Unit w/Cover installed (Specify Color) 50.00 ea
4980	62	Arm Rest Chrome Bases Only 20.00 ea
4984	62	Arm Rest Cover Only (Specify Color) 9.50 pr

COLOR PHOTOS - See Page 3

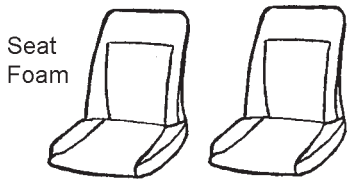


58-61 DOOR PANEL



62 DOOR PANEL

Interior COLOR PHOTOS - See Page 3



Seat Covers

5109__	56-57	Seat Covers - Vinyl (Correct Waffle Pattern).....	423.00 set ND
5110__	58	Seat Covers - Vinyl (Pebble Grain) Red, Blue or Charcoal	399.00 set ND
5115__	59	Seat Covers - Vinyl	239.00 set
5120__	60	Seat Covers - Vinyl	239.00 set
5125__	61	Seat Covers - Vinyl	239.00 set
5130__	62	Seat Covers - Vinyl	239.00 set
9399__	56-57	Seat Cover Installation Kit	30.00 kit
9427__	58	Seat Cover Installation Kit	32.00 kit
9400__	59-60	Seat Cover Installation Kit	30.00 kit
9401__	61-62	Seat Cover Installation Kit	30.00 kit
5212	All	Hog Ring Pliers	7.95 ea
9423	All	Hog Ring (100 pcs)	5.00 kit

Seat Foam & Spring Units

5204	56-57	*Seat Foam - Correct (4 pcs)	199.00 set ND
5209	58	*Seat Foam - Correct (4 pcs)	199.00 set ND
5215	59-60	*Seat Foam - Correct (4 pcs)	199.00 set ND
5205	61	*Seat Foam - Correct (4 pcs)	199.00 set ND
5206	62	*Seat Foam - Correct (4 pcs)	199.00 set ND
* Correct Foam has muslin reinforcements & air space in back sides			
5217	59-60	Seat Foam - (4 pcs)	189.00 set
5211	61	Seat Foam - (4 pcs)	189.00 set
5207	62	Seat Foam - (4 pcs)	189.00 set
5202	56-60	Seat Bottom Springs - Correct (2 pcs) ...	259.00 set ND
5203	61-62	Seat Bottom Springs - Correct (2 pcs).....	259.00 set ND
2959	58-62	Seat Spring Bottom Unit - Replacement ...	40.00 ea



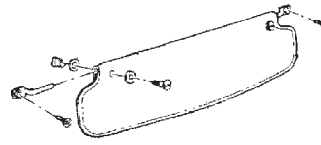
Dash Pad

5300__	56-57	Dash Rail Cover	45.00 ea
5336__	56-57	Fiberglass Dash Rail w/Cover Installed ..	329.00 ea ND
5310	58	Dash Pad (Red)	549.00 ea ND
5312	58	Dash Pad (Blue)	549.00 ea ND
5311	58	Dash Pad (Charcoal)	549.00 ea ND
5313__	59-62	Dash Pad (Red or Black)	329.00 ea
5315__	59-62	Dash Pad (Jewel or Frost Blue, Turquoise, Fawn Beige)	429.00 ea

Headliners - Correct Molded

5420__	56-57	Hardtop Headliner - In Colors	395.00 ea ND
5421__	58	Hardtop Headliner - In Colors	495.00 ea ND
5368__	59-60	Hardtop Headliner - In Colors	395.00 ea ND
5424	61-62	Hardtop Headliner - White - as original	395.00 ea ND

Interior COLOR PHOTOS - See Page 3



Sunvisors & Hardware

5116__	59-62	Sunvisors w/Hardware	99.95 pr
5320__	59-62	Sunvisors less hardware	89.95 pr
5325	59-62	Sunvisor Hardware Kit	15.95 kit
6362	59-62	Special Screwdriver Tip for Visor Nuts	5.00 ea

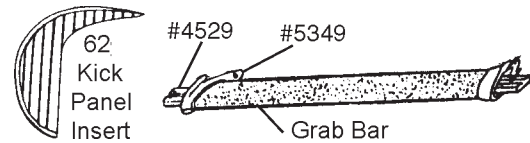
Interior Dye (Specify Year and Color)

4940__	53-62	Vinyl Dye - Aerosol	17.00 ea
4941__	53-62	Vinyl Dye - Quart	59.00 ea

Convertible Top Tabs - Specify Year & Color

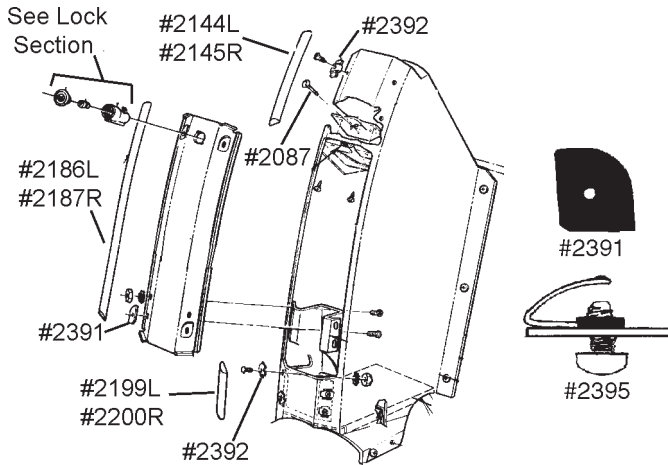
5326__	56-57	Conv. Top Tabs - Slide Type Fastener	44.00 pr
5331__	58	Conv. Top Tabs - Slide Type Fastener	44.00 pr
5334__	59-62	Conv. Top Tabs - Slide Type Fastener	29.50 pr
8624	56-62	Conv Top Tab Snaps on Body (2)	2.75 pr
8657	56-62	Conv Top Tab Screws (4)	2.50 set

Convertible Tops & Related - See Conv. Top Section



Grab Bar, Kick Panel Etc

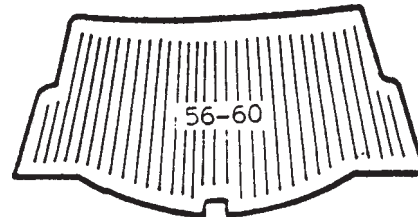
5305__	58	*Grab Bar Only w/Cover Installed	85.00 ea
5302__	59-62	*Grab Bar Only w/Cover Installed	85.00 ea
* Note: #5305 & #5302 do not include chrome ends			
5360__	58	Grab Bar Cover Only	35.00 ea
5363__	59-62	Grab Bar Cover Only	15.50 ea
4529	58-62	Grab Bar End Mounting Brackets	39.00 pr
4532	58-62	Grab Bar Retainer Nut Plates w/Screws ...	15.50 kit
5349	58-62	Chrome Grab Bar End Caps w/screws	59.00 pr
8526	58-62	Grab Bar End Cap Screw Set	2.50 set
8580	58-62	Grab Bar Screw Set (allen head) (4 pcs)	5.00 set
5445__	56-57	Kick Panel w/Cardboard with Correct Waffle Pattern	185.00 pr
7051__	58	*Deluxe Kick Panel Assemblies	417.00 pr ND
7052__	59	*Deluxe Kick Panel Assemblies	397.00 pr ND
7053__	60	*Deluxe Kick Panel Assemblies	397.00 pr ND
7054__	61	*Deluxe Kick Panel Assemblies	397.00 pr ND
7055__	62	*Deluxe Kick Panel Assemblies	397.00 pr ND
*Deluxe Kick Panels - painted fiberglass kick panels in correct colors with sheet metal, chrome trim and windlace installed			
5340__	58	Kick Panel Windlace	33.00 pr
5343__	59-62	Kick Panel Windlace	20.00 pr
5451__	62	Kick Panel Inserts Only	59.00 pr
5504	58-62	Kick Panels - Fiberglass - Press Molded ..	125.00 pr
5361	58-59	Kick Panel Sheet Metal	98.00 pr
5181	60	Kick Panel Sheet Metal	98.00 pr
5182	61	Kick Panel Sheet Metal	98.00 pr
5505	58-62	Kick Panel Chrome Trim - Moon Shaped ...	65.00 pr
3604	ALL	Trim & Carpet Glue - Brush-On (Quart)	14.95 Qt ND
3697	ALL	Trim Adhesive Spray - 3M	14.95 ea



Interior COLOR PHOTOS - See Page 3



Trunk Liner



Trunk Mat

Glove Box, Deck Lid, Etc

2087	58-62	Glove Box Door Catch Screw	8.50 ea
10294	56-62	Glove Box Door Hinge	47.50 ea
10621	58-62	Glove Box Door Latch Bracket	38.00 ea
10295	56-62	Glove Box Door Molding Mounting Kit includes 12 clips w/fasteners	45.00 set
2391	56-62	Glove Box Door Molding Clips (4)	11.00 set
2392	56-62	Molding Clip - for molding above and below glove box door (4 pcs) 2 sets required	15.95 set
10296	56-62	Glove Box Door and Molding Clip Screw, Nut and Washer Kit (26 pcs)	5.50 set
2128	56-62	Glove Box Door Rubber Stop on Body	5.50 ea
2129	56-57	Glove Box Lock Catch on Body	26.00 ea
2144	56-62	Upper Glove Box Molding - Lt	33.00 ea
2145	56-62	Upper Glove Box Molding - Rt	33.00 ea
2186	56-62	Glove Box Door Molding - Lt	47.00 ea
2187	56-62	Glove Box Door Molding - Rt	47.00 ea
2199	56-62	Lower Glove Box Molding - Lt	30.00 ea
2200	56-62	Lower Glove Box Molding - Rt	30.00 ea
2395	56-62	Deck Lid Chrome Mldg Clips w/Screws(8)	36.75 set
2127	57-62	Deck Lid Release Push Button	17.75 ea
2126	56-62	Deck Lid Push Button Bezel	15.75 ea
2603	58-62	Deck Lid Open Push Button Rod w/Clip	14.50 ea

Trunk

1956-1960 Trunk Mats come with a Padded Utility Mat

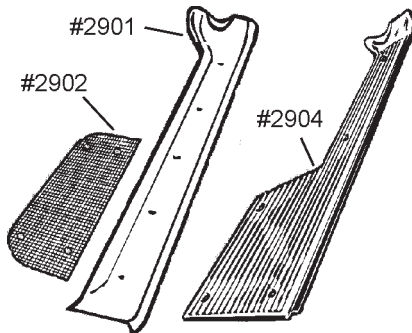
5624	56-57	Trunk Mat (red or black)	239.00 ea ND
5625	58	Trunk Mat (red or black)	239.00 ea ND
5636	58	Trunk Mat (blue)	269.00 ea ND
5632	59	Trunk Mat (red or black)	239.00 ea ND
5889	59	Trunk Mat (blue or turquoise)	269.00 ea ND
5888	60	Trunk Mat (red or black)	239.00 ea ND
5890	60	Trunk Mat (blue or turquoise)	269.00 ea ND

**#5888 and #5890 are correct on all 1960's
to serial #4700 and late 1960's with power top**

5633	60L	Trunk Mat (non-power top after serial #4700)...INQUIRE	
10207	61-62	Trunk Mat - Black #3782772	199.00 ea ND
10208	61-62	Trunk Mat - Jewel Blue #3783834	199.00 ea ND
10209	61-62	Trunk Mat - Fawn Beige #3783837	199.00 ea ND

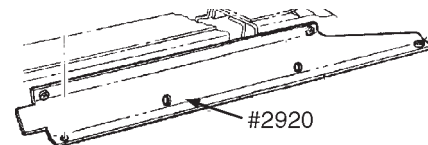
5659	56-60	Trunk Liner - Flat Type Repl - Red	65.00 ea LD
5660	56-60	Trunk Liner - Flat Type Repl - Black	65.00 ea LD
5661	61-62	Trunk Liner - Flat Type Repl - Black	65.00 ea LD
5662	61-62	Trunk Liner - Flat Type Repl - Red	65.00 ea LD

5644	56-62	Trunk Liner Mount Brackets	14.50 pr
5663	56-62	Trunk Liner "S" Clip - Correct with diamond stamping (4 pcs)	10.00 set
5658	56-57	Trunk Liner Screws - Correct	8.00 set
8669	58-59E	Trunk Liner Screws - Correct	8.00 set
8681	59L-62	Trunk Liner Screws - Correct	8.00 set
8670	56-59E	Trunk LIner Screws - Repl	3.00 set
8671	59L-62	Trunk LIner Screws - Repl	3.50 set



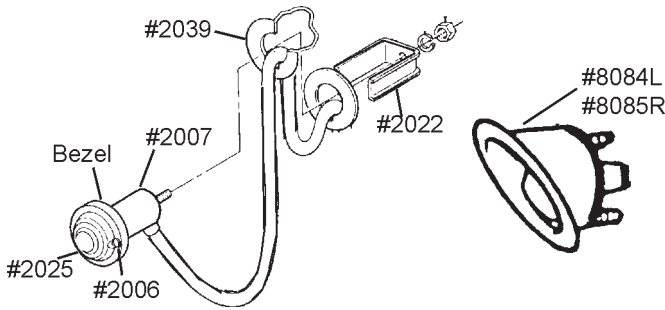
Sill Plates and Floor Pan Plugs

2914	56-60	Sill Plate Set (includes #2901, 2902, 2903, and 8614)	259.95 set ND
2901	56-60	Long Sill Plates	189.95 pr
2902	56-60	Short Sill Plates - square step plates	77.95 pr
8614	56-60	Sill Plate Screws (18)	5.25 set
2903	56-60	Sill Plate Filler Strips - Wood	19.50 pr
2904	61-62	Sill Plates w/Filler Plate	202.50 pr
8615	61-62	Sill Plate Screws (10)	5.00 set
2916	61-62	Sill Plate Filler Set	18.95 set
2920	58-62	Wire Cover Floor Plates - under carpet (Stainless Steel)	39.00 pr
1241	58-62	Floor Pan Plug Set (2 pc)	3.00 pr



**10% DISCOUNT OFFER
See Back of ORDER FORM**

LIGHTS, LAMPS & RELATED

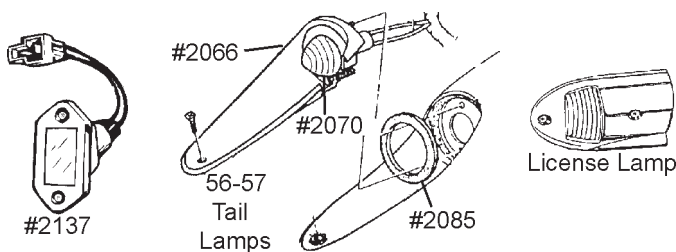


Parking Lamps

2020	53-57E	Parking Lamp Assy. (Includes #2007, 2006, 2009, 2025)	DISC
2008	57L	Parking Lamp Assy. (Includes #2007, 2006, 2037, 2025)	DISC
2007	53-57	Parking Lamp Housing Assy. w/Wire & "U" Bracket	DISC
2022	53-57	Parking Lamp Housing "U" Bracket	17.00 ea
2006	53-57	Parking Lamp Bezel Barrel Nut (4)	11.00 set
2009	53-57	Parking Lamp Bezel (Round Edge)	25.00 ea
2037	58-62	Parking Lamp Bezel (Square Edge)	15.00 ea
2025	53-62	Parking Lamp Lens - Glass	16.95 ea
8084**	58-62	Parking Lamp Assy - Lt.	95.95 ea
8085**	58-62	Parking Lamp Assy - Rt.	95.95 ea
** #8084 & #8085 both include Housing, Lens, Gaskets, Bulb, Socket w/Wires and Mounting Kit			
2039	53-57	Parking Lamp to Body Gasket	3.00 pr
2034	58-62	Parking Lamp to Body Gasket	3.00 pr
2032	53-62	Parking Lamp Lens Gasket	3.00 pr
2021	55-57	Parking Lamp Socket w/wire (V-8)	91.00 pr
2024	58-62	Front Parking/Turn Signal Lamp Extension Set (wiring, tubing and sockets)	49.00 pr

License Lamp

2130	56-57	License Lamp Assembly w/fasteners	96.50 set
2120	58-60	License Lamp Assembly w/fasteners	96.50 set
Note: #2130 and #2120 are assembled and include lenses and gaskets			
2125	58-60	License Lamp to Rear Bumper Retainer Nut Plate	32.00 pr
2131	56-60	License Lamp Lens	8.95 ea
2132	56-60	License Lamp Lens Retainer (Backplate)	8.25 ea
2084	56-60	License Lamp Lens Gaskets	3.50 pr
3494	56-57	License Lamp Socket w/Wire	22.50 pr
3495	58-60	License Lamp Socket w/Wire	22.50 pr
8646	56-60	License Lamp Housing Screws (4)	3.00 set
2121	61-62	License Lamp Assy - housing, lens, gasket, screws and bulb holder	95.50 ea
8647	61-62	License Lamp Housing Screws (12 pcs)	4.50 set
2134	61-62	Correct Lic. Lamp Lens w/Correct White Gasket & Screws	18.95 set
2107	61-62	License Lamp Lens Gasket - white	2.50 ea
8891	61-62	License Lamp Lens Screws (4)	3.00 set



Tail & Stop Lamps

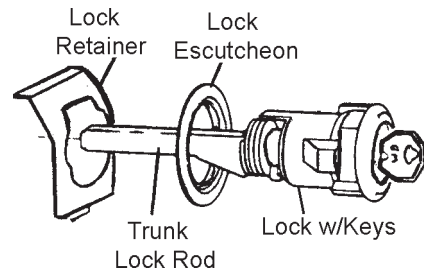
2066	56-57	Tail Lamp Assembly w/Lens	599.00 pr ND
2070	56-57	Tail Lamp Red Lens	19.95 ea
2080	56-57	Tail Lamp Lens Gasket	4.50 pr
2078	58-60	Tail Lamp Assembly w/Lens	589.00 pr ND
2085	56-60	Tail Lamp to Body Gasket	3.00 pr
2069	58-60	Tail Lamp Lens - Inner - Correct	11.50 ea
2071	58-60	Tail Lamp Lens - Outer	60.75 ea
8649	58-60	Outer Tail Lamp Lens Screw & Washer Set	7.00 set
2081	58-60	Inner Tail Lamp Lens Gasket (2)	3.00 pr
2110	61-62	Tail Lamp Lens Gaskets (4)	6.00 set
2083	58-60	Outer Tail Lamp Lens Gasket	6.00 pr
2053	61-62	Inner Tail Lamp Assemblies - Lt & Rt	190.00 pr
2067	61-62	Outer Tail Lamp Assemblies - Lt & Rt ...	190.00 pr
2072	61-62	Tail Lamp Lens - Red	9.95 ea
5678	61-62	Tail Lamp Protector Cones - Gray (4 pc) ..	26.50 set
2086	61-62	Tail Lamp to Body Gaskets (4 pc)	6.00 set
3485	56-62	Tail Lamp Pigtail	11.00 ea
2076	61-62	Tail Lamp Lens Drain Wick (4 pcs)	2.75 set

Courtesy Lights

2143	53-57	Courtesy Light Bezel w/Lens	49.50 pr
2148	53-57	Courtesy Light Complete Assembly	99.95 pr
2141	56-57	Courtesy Light Lens	9.00 pr
2142	58-62	Courtesy Light Lens w/Gasket	10.00 ea
2135	58-62	Courtesy Light Housing w/Lens	39.00 ea
2136	58-62	Courtesy Light Socket w/Wire Pigtail	15.50 ea
2137	58-62	Courtesy Light Housing w/Lens, Socket and Wire Pigtail	49.95 ea
8063	53-62	Courtesy Light/Doorjamb Switches (includes gaskets & screws)	25.50 ea

Headlights - See Headlight Section

Also see EXTERIOR, FASTENER, HEADLIGHT and GASKET



LOCKS & RELATED

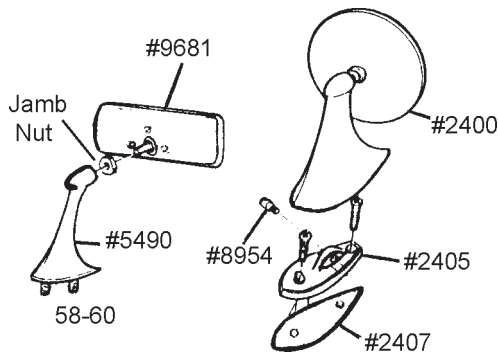
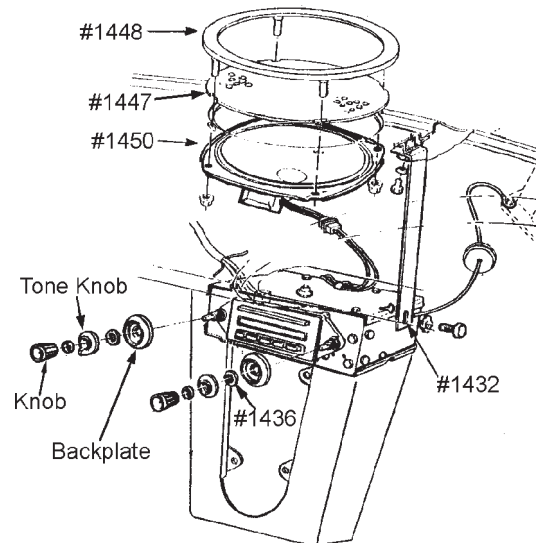
All Lock Sets are keyed alike and all locks have correct faces w/original type keys. Special keying service \$12.00

2183	56-60	Super Lock Set (Includes Ignition Cyl, 2 Door w/Bezels & Retainers, Glove Box Lock Cylinder & Retainer Nut, Trunk Lid w/Bezel, Rod & Retainer) Specify Year	149.95 set
2192	61-62	Super Lock Set (Includes same items as #2183)	149.95 set
2165	56-60	Standard Lock Set (Includes Ignition, Doors, Trunk & Glove Box Cylinder Locks)	102.00 set
2166	61-62	Standard Lock Set (Includes Ignition, Doors, Trunk & Glove Box Cylinder Locks)	102.00 set

CONTINUED on Next Page

LOCKS (continued)

9623	56-60	Ignition & Door Locks (3 pcs)	69.00 set
9624	61-62	Ignition & Door Locks (3 pcs)	69.00 set
2179	56-60	Door Locks	46.00 pr
2180	61-62	Door Locks	46.00 pr
9625	56-62	Door Lock Retainer - Correct	5.50 ea
9626	56-62	Trunk Lock Retainer - Correct	7.50 ea
2175	56-62	Glove Box Lock w/Retainer Nut	38.00 ea
2129	56-57	Glove Box Latch	26.00 ea
2182	56-62	Retainer Nut - Glove Box Lock	8.00 ea
2176	56-59	Ignition Lock - Correct	32.00 ea
2185	60-62	Ignition Lock - Correct	32.00 ea
2177	56-60	Trunk Lock Less Rod	32.00 ea
2178	61-62	Trunk Lock Less Rod	32.00 ea
2193	56-60	Rod - Trunk Lock	6.00 ea
2194	61-62	Rod - Trunk Lock	5.00 ea
2385	56-62	Escutcheon Ring - Door Lock Cyl.	8.00 ea
2386	56-62	Escutcheon Ring - Trunk Lock Cyl.	8.00 ea
8179	56-62	Door Lock Rod - from Cylinder Down	10.50 ea
9628	53-62	Original Type Key Blank (Hex)	5.00 ea
9629	53-62	Original Type Key Blank (Round)	5.00 ea



MIRRORS & RELATED

2400	53-62	Guide Y-50 Mirror w/Mounting Kit - Lt	85.95 ea
2409	53-62	Guide Y-50 Mirror w/Mounting Kit - Rt (not a factory installed item)	89.95 ea
9676	53-62	Outside Mirror Mounting Kit (Bracket, Gasket & Screw)	12.00 kit
8954	53-62	Outside Mirror Mounting Screw (Socket Head)	1.75 ea
2407	53-62	Outside Mirror Mounting Gasket	1.50 ea
9677	56	Inside Mirror - Less Base - Correct	57.50 ea
9678	56	Inside Mirror Base	44.50 ea
9674	56	Inside Mirror Thumb Screw	13.00 ea
9679	57	Inside Mirror Less Base - Correct	57.50 ea
9680	57	Inside Mirror Base	44.50 ea
9648	57-62	Inside Mirror Jamb Nut	1.75 ea
9681	58-60	Inside Mirror - Correct	59.00 ea
2393	61-62	Inside Mirror - Excellent Replacement	47.00 ea
5490	58-62	Inside Mirror Support	53.50 ea

RADIOS & RELATED

1522	56-57	Radio Indicator Bezel	22.00 pr
1523	56-57	Radio Indicator Bezel w/Chrome Backplate (4 pcs)	27.00 set
1437	56-57	Radio Wing Knob	CALL
1449	58	*Radio Knob & Backplate Set	89.00 set
1456	59-60	*Radio Knob & Backplate Set	79.00 set
1495	61-62	*Radio Knob & Backplate Set	79.00 set
** Radio Knob/Back plate sets include 2 radio knobs, radio tone knobs/spacers, indicator backplates, washers and radio nuts.			
1453	58	Radio Knob w/Smaller Back (1 req)	19.00 ea
1454	58	Radio Tone Knob - Black Plastic (1 req)	14.00 ea
1455	58	Radio Indicator Backplates	45.70 set
1457	58-60	Radio Knob (58 1 req., 59-60 2 req.)	18.75 ea
1458	59-60	Radio Tone Knob & Volume Spacer	16.50 pr
1459	59-60	Indicator Backplates	14.50 pr
1460	59-60	Indicator Backplate Chrome Bezel	10.75 ea
1435	61-62	Radio Knob	19.50 ea
1468	61-62	Radio Backplate & Bezel Set	44.50 set
1436	56-62	Nut - Radio Backplate	2.50 pr
1432	58-62	Radio Support Bracket	11.00 ea
9971	58-60	Radio Face Kit - White Characters	155.00 kit
9972	61-62	Radio Face Kit	155.00 kit

The above radio face kits include the chrome face plate with new lens installed, wonderbar push bar and 5 push buttons.

Radio Speakers

9642	53-57	Speaker Grill Bezel	73.50 ea
9643	53-57	Speaker Grill Set (3 pc)	51.00 set
9644	53-57	Speaker	37.50 ea
1450	58-62	Speaker w/Transformer	29.95 ea
1431	58-59	Speaker Screen - Raised Type	39.00 ea
1447	59-62	Speaker Screen - Flat Type	17.50 ea
1448	59-62	Speaker Screen Bezel (Ring)	49.00 ea

Radio Ground Straps & Wires

1441	55-60	Ground Strap Set	23.00 set
10269	61-62	Ground Strap Set	23.00 set
9398	55-57	Radio Power Leads	17.00 ea
1496	58-62	Ground Wire Assembly - Radio Support	5.00 ea
6969	58-62	Radio to Valve Cover Ground Lead	10.00 ea

CUSTOM - FIT STEREOs Pages 212 - 213

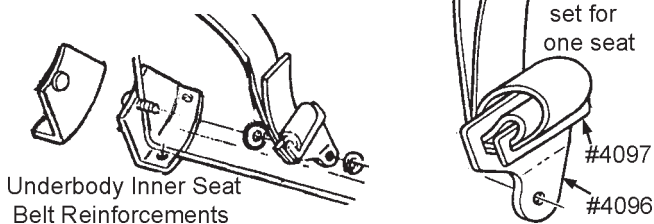
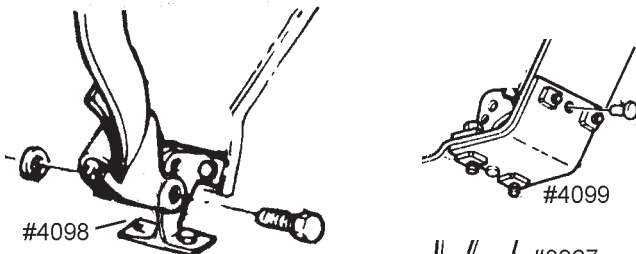
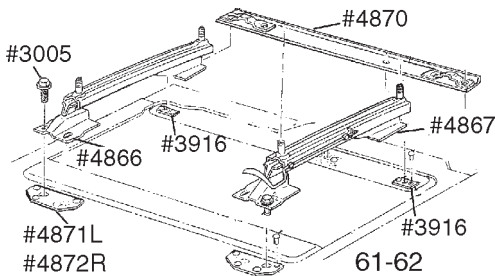
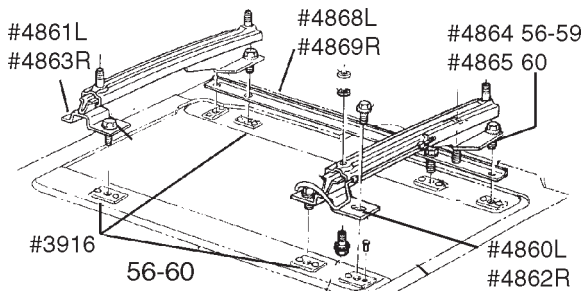
SEAT BELTS & SEAT MOUNTING

See Page 3 for Photo of the following Belts

10244	56-57	Seat Belt - Replacement - Beige	65.00 set
10246	59-60	Seat Belt - Replacement - Turquoise	65.00 set
10245	61	Seat Belt - Replacement - Jewel Blue	65.00 set
7265	56-62	Seat Belt - Replacement - Black	65.00 set
7259	56-58	Seat Belt - Replacement - Red	65.00 set
7266	59-62	Seat Belt - Replacement - Red	65.00 set
7269	58	Seat Belt - Replacement - Blue	65.00 set
7267	59-60	Seat Belt - Replacement - Frost Blue	65.00 set
7268	61-62	Seat Belt - Replacement - Fawn Beige	65.00 set

Note: Above Seat Belts have Chrome Lift Buckles and are to be as a replacement for the original. A set does one car.

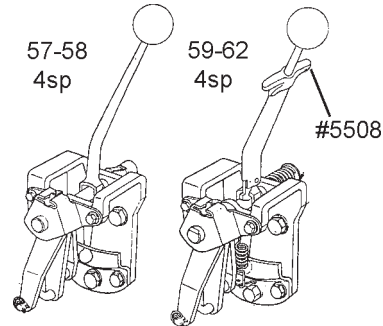
8367	56-62	Seat Belt Floor Hambone Shaped Bracket and Tightener (Correct) does one seat for use with original seat belts	33.00 set
4097	56-62	Seat Belt Anchor Tightener	7.00 ea
8368	58-62	Seat Belt Label - Irving Air Chute	12.50 pr
4843	56-62	Seat Adjuster Handle Return Spring	12.50 pr
4844	53-62	Seat Track Roller Assembly (4 per seat) ..	31.50 ea
3005	56-62	Seat Mount Bolt Set "E" (8 pcs)	8.00 set
5021	56-59	Seat Tracks - does one seat (Lt or Rt) ...	489.00 pr ND
5022	60	Seat Tracks - does one seat (Lt or Rt) ...	489.00 pr ND
5023	61-62	Seat Tracks - does one seat (Lt or Rt) ...	489.00 pr ND



Underbody Inner Seat Belt Reinforcements

4098	56-62	Seat Belt Anchor Bracket -Outer Position (2 req)	22.00 ea
4099	56-62	Underbody Seat Belt Nut Plate-Outer Position (2 req)	16.00 ea
3919	56-57E	Underbody Inner Seat Belt Reinforcement w/Hole - Lt	22.00 ea
3920	56-57E	Underbody Inner Seat Belt Reinforcement w/Hole - Rt	22.00 ea
3917	57L-62	Underbody Inner Seat Belt Reinforcement w/Stud - Lt	22.00 ea
3918	57L-62	Underbody Inner Seat Belt Reinforcement w/Stud - Rt	22.00 ea
4860	56-60	Seat Hold Down Brkt - Front Outer Lt	11.00 ea
4862	56-60	Seat Hold Down Brkt - Front Outer Rt	11.00 ea
4861	56-60	Seat Hold Down Brkt - Front Inner Lt	11.00 ea
4863	56-60	Seat Hold Down Brkt - Front Inner Rt	11.00 ea
4864	56-59	Seat Hold Down Brkt - Rear (4 required) ...	16.50 ea
4865	60	Seat Hold Down Brkt - Rear (4 required) ...	16.50 ea
4866	61-62	Seat Hold Down Bracket w/Stud -Front ..	16.50 ea
4867	61-62	Seat Hold Down Brkt - Rear (4 required) ...	16.50 ea
4868	56-60	Rear Seat Hold Down Bracket w/Stud -Lt ..	27.00 ea
4869	56-60	Rear Seat Hold Down Bracket w/Stud -Rt ..	27.00 ea
4870	61-62	Rear Seat Hold Down Bracket - Lt or Rt ...	32.00 ea
4871	61-62	Underbody Front Seat Mounting Plate - Lt (2 per car)	11.00 ea
4872	61-62	Underbody Front Seat Mounting Plate - Rt (2 per car)	11.00 ea
3916	53-62	Retainer Nut Plate Underbody - Seat Hold Down (56-60 14 req) (61-62 6 req)	5.50 ea

Also see BODY MOUNTING Section for underbody retainers



SHIFTER & TRANSMISSION

5567	57-58	4 Speed Shifter w/Knob	289.00 ea
5565	59-62	4 Speed Shifter w/Knob	369.00 ea
9799	59-62	4sp Chrome Shifter Handle - Stock	90.00 ea
4545	56	3 Speed Shifter w/Knob	289.00 ea
5569	57-58	3 Speed Shifter w/Knob	289.00 ea
9720	59-62	3 Speed Shifter w/Knob	279.00 ea
4546	56	Auto Shifter w/Knob	295.00 ea
5585	57-61	Auto Shifter w/Knob	279.00 ea
9721	62	Auto Shifter w/Knob	285.00 ea
5584	57-62	4sp Linkage w/ B&W Trans.	85.00 set
5297	57-62	4sp Linkage w/Muncie Trans.	85.00 set
5589	56-62	3 sp Linkage - Rods Only	55.00 set
5622	56-61	Auto Shifter LinkageDISC
5588	62	Auto Shift LinkageDISC
5606	56-57	Chrome Shifter Knob	27.50 ea
5536	56-62	White Shifter Knob	8.00 ea
5508	59-62	4sp T-Handle Reverse Lockout w/Cable, Spring and Lower Block	55.00 ea
5592	59-62	4sp Shifter Anti-Rattle Spring ..	6.50 ea
9722	56-62	Shifter Linkage and Clutch Rod "G" Clip	1.00 ea
8509	56-62	Shifter Mount Bolt Set (3 pcs)	3.50 set
10052	57-62	4sp Transmission Special Tool - One Man Trans Linkage Adjusting Tool (in the car or out of the car)	16.00 ea

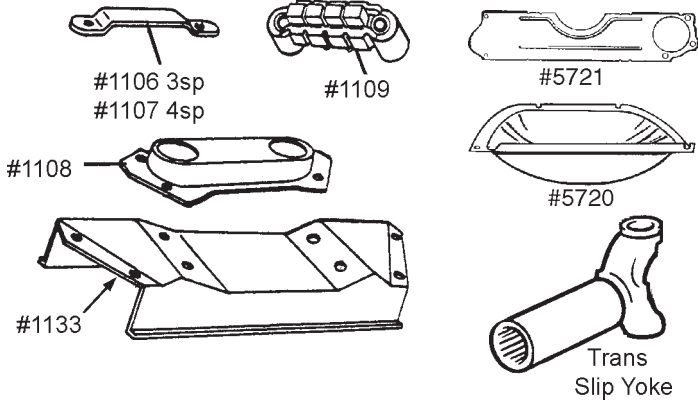
Original Style Shifter Handles for your HURST Shifter - Next Page

Look Alike Corvette Shifter Handles for use on Hurst*

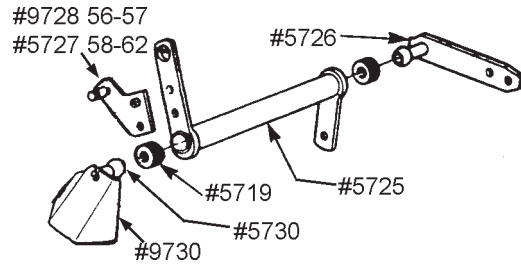
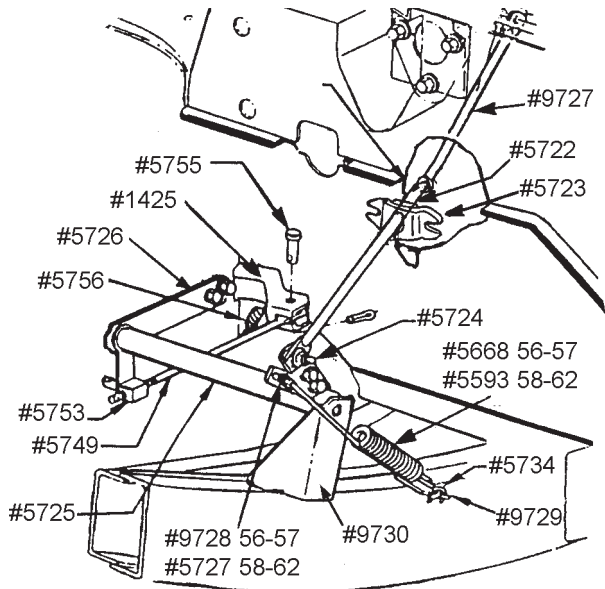
Competition Plus* Shifters in place of Hurst* Handle.
 (* All are registered trademarks.)

Includes Shaft, T-Handle, and Knob for a stock look

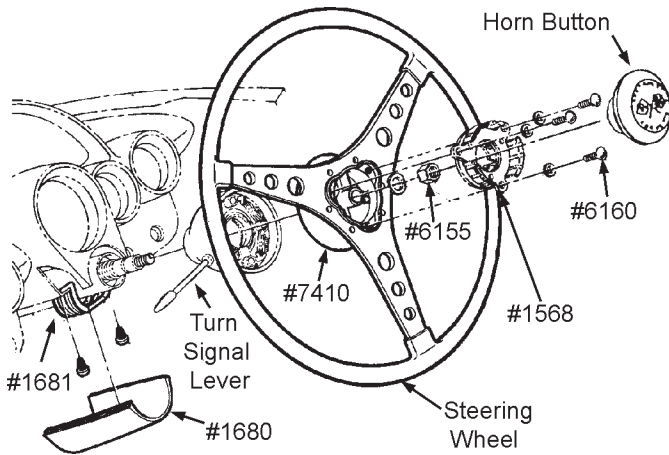
- 9723 56-58 4sp Shifter Handle - fits Hurst* Shifter 69.00 ea LD
 - 9725 59-62 4sp Shifter Handle - fits Hurst* Shifter .. 121.00 ea
- Hurst Shifter Handles use Stock Shifter Boot



- 1106 56-62 3sp Trans. Mount Bracket..... 17.00 ea
- 1107 56-61 4sp Trans. Mount Bracket..... 14.00 ea
- 1109 53-62 Transmission Rubber Mount..... 39.00 ea
- 1108 53-62 Trans. Rubber Mount Metal Retainer 26.00 ea
- 1110 55-61 Auto Trans. Mount Bracket 116.00 ea ND
- 8508 56-62 Trans Mount Bracket to Trans Bolts "AP" 4.50 pr
- 1115 62 Trans. Mount Adapter Plate (also used to install a 56-62 Muncie Trans.) 14.00 ea
- 10291 56-62 Trans Crossmember to Frame Shim 56-61 Muncie, 62 All 4.50 ea
- 1133 53-62 Transmission Frame Crossmember Stamped as Original (not welded) 149.00 ea
- 5720 55-62 Trans. Clutch Housing Underpan 50.00 ea
- 5721 55-62 Trans. Clutch Housing Flywheel Inspection Cover 22.00 ea
- 8559 56-61 Clutch Cover Screw Set - slotted with washer (5 pcs) 3.50 set
- 5317 56-62 Trans **Slip Yoke** (Correct) - 16 spline for cars using original trans (4 3/4" long spline) 136.00 ea
- 5316 56-62 Trans **Slip Yoke** - (Correct) 26 spline for cars retrofitted w/muncie 4sp (4 3/4" long spline) 129.00 ea



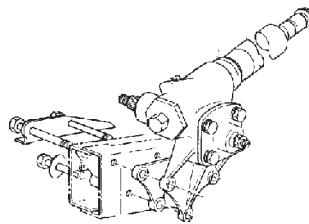
- 9726 56-58 Clutch Pedal Push Rod w/Hardware 25.50 ea
- 9727 59-62 Clutch Pedal Push Rod 19.50 ea
- 5792 59-62 Clutch Pedal Push Rod Bracket (includes welded pin) 22.50 ea
- 1220 56-62 Clutch Pedal Bumper 3.00 ea
- 5722 55-62 Firewall Seal - Clutch Push Rod 5.75 ea
- 5723 55-62 Seal Retainer - Clutch Push Rod 11.00 ea
- 5724 56-62 Shoulder Bolt & Bushing - Push Rod 21.00 ea
- 5791 56-62 Shoulder Bolt - for Clutch Push Rod 9.00 ea
- 5799 56-62 Bushing - for Clutch Shoulder Bolt 13.00 ea
- 5725 56-62 Clutch Cross Shaft 87.00 ea
- 5726 56-62 Clutch Cross Shaft Bracket w/Pivot Stud Bolts on Bell Housing 23.00 ea
- 8372 56-62 Clutch Pivot Bracket (#5726) to Bellhousing Bolts and Lockwashers 2.00 kit
- 9728 56-57 Clutch Return Spring Bracket on X-Shaft .. 14.00 ea
- 5727 58-62 Clutch Return Spring Bracket on X-Shaft .. 18.00 ea
- 8373 56-62 Clutch Return Spring Bracket to Cross Shaft Bolt Set (6 pcs) 3.00 set
- 5728 56-62 Oval Bracket - Clutch Pedal Cross Shaft ... 7.50 ea
- 5668 56-57 Clutch Return Spring 17.00 ea
- 5593 58-62 Clutch Return Spring 14.50 ea
- 5734 56-62 Clutch Return Spring Hairpin Hook (56-57 2 req, 58-62 1 req) 7.00 ea
- 9729 56-62 Clutch Return Spring Bracket - welds to frame 19.50 ea
- 9756 56-62 Cross Shaft Felt Seal - Replacement 1.50 ea
- 5719 56-62 Cross Shaft Seal w/Vinyl Skin - Correct 6.50 pr
- 5730 56-62 Cross Shaft Pivot Ball Stud - welds on frame bracket 8.00 ea
- 9730 56-62 Cross Shaft Bracket on Frame with Ball Stud (#5730) 22.00 ea
- 5749 56-62 Clutch Fork Push Rod 20.00 ea
- 5753 56-62 Swivel - Clutch Fork Push Rod to X-Shaft .. 5.00 ea
- 5756 56-62 Clutch Fork Anti-Rattle Spring 3.00 ea
- 10287 57-62 Clutch Fork Bearing Spring with Rivet 6.00 ea
- 1425 56-62 Clutch Fork - US Made 45.00 ea
- 10073 56-62 Clutch Fork - Foreign Made 39.00 ea
- 9758 56-62 Clutch Release Throwout Bearing -Timken 20.00 ea
- 5755 56-62 Clutch Fork Pin 3.50 ea
- 9719 56-62 Clutch Fork Pivot Stud 12.00 ea
- 1421 55-56 Clutch Fork Boot - Leather 24.00 ea
- 1428 57-60E Clutch Fork Boot Leather (cast bell hsg) . 24.00 ea
- 1429 60L-62 Clutch Fork Boot Rubber (alum bell hsg) . 28.50 ea
- 8550 56-62 Transmission to Bellhousing Bolts 6.00 set
- 8551 56-59 Bellhousing to Engine Bolts "AP" (6 pcs) 7.00 set
- 8518 56-59 Bellhousing to Engine Bolts "TR" (7 pcs) .. 10.00 set
- 8519 60-62 Bellhousing to Engine Bolts (6 pcs) 10.00 set
- 7440 57-62 Trans. Gasket & Seal Set w/ B&W T-10 22.95 set
- 7441 64-70 Transmission Gasket & Seal Set with Muncie 22.95 set
- 5729 57-62 **Clutch plate, disc and throw-out bearing assembly w/pilot bearing - all parts are new and are made in the US by the O.E. supplier to GM - 10" Clutch & 10 Spline 12 month/12,000 mile warranty**
- Fits: 57-61 w/283 and 62 w/327 repl for 3 finger type 175.00 ea**
- 6320 55-62 Clutch Pilot Bearing - Roller Type 17.95 ea
- 6321 55-62 Clutch Pilot Bushing (Bronze) 6.00 ea
- 8564 56-62 Clutch Pressure Plate to Flywheel Bolts w/Std Trans 8.00 set
- 8548 55-62 Flywheel to Crankshaft Bolts w/Std Trans ... 8.00 set
- 8549 56-62 Flywheel to Crankshaft Bolts -w/Auto 14.00 set



1287	53-62	Inner Hard Gasket - Steering Column on Firewall	31.00 ea
1288	53-62	Inner Soft Gasket - Steering Column on Firewall	6.50 ea
1289	53-62	Outer Gasket - Steering Column on Firewall	6.00 ea
7406	53-57	Outer Steering Column Plate on Firewall ...	30.50 ea
1279	58-62	Outer Steering Column Plate on Firewall	13.00 ea
10037	53-62	Steering Column Clamp (53-57 Upper and 58-62 Lower)	26.75 ea
10038	53-62	Steering Column Clamp (53-57 Lower and 58-62 Upper)	26.75 ea

STEERING COLUMN

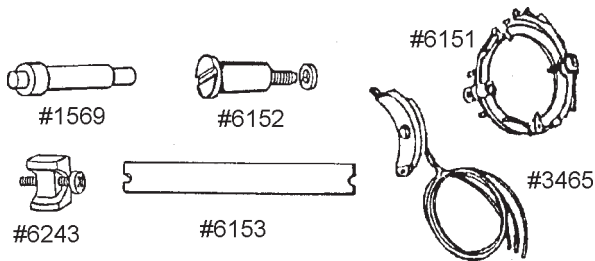
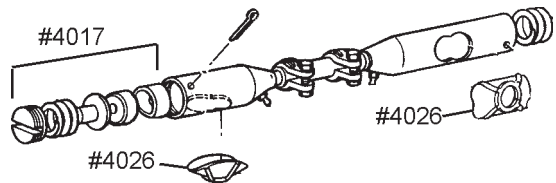
6150	53-57	Steering Column Bezel on Dash - Chrome	57.50 ea
6143	56-57	Emergency Brake Flasher Chrome Plug	5.50 ea
6151	56-62	Turn Signal Cancelling Switch Assy.	64.00 ea
6152	56-62	Turn Signal Cancelling Switch Pivot Bolt ...	11.00 ea
6153	56-62	Turn Signal Cancelling Switch Flat Centering Spring	8.25 ea
6206	56-62	Turn Signal Canc Switch "W" Spring	8.25 ea
6207	56-62	Turn Signal Canc Switch Pivot Spring	4.50 ea
3465	53-62	Turn Signal Switch w/Wire	21.00 ea
5480	53-60	Turn Signal Lever w/Knob	17.75 ea
5481	61-62	Turn Signal Lever w/Knob	18.50 ea
5992	53-62	Nut - Turn Signal Lever	2.00 ea
6243	53-62	Steering Column Wedge w/Screw	8.00 ea
1595	53-62	Upper Steering Column Bearing w/Cable ..	59.00 ea
1605	53-62	Upper Steering Column Bearing Spring	5.50 ea
1559	53-55	Horn Button	68.00 ea
1560	56-57	Horn Button	39.95 ea
1558	58	Horn Button	39.95 ea
1560	59-62	Horn Button	39.95 ea
1568	56-62	Horn Contact (Button Retainer)	25.00 ea
1569	56-62	Horn Contact Brush	8.50 ea
6160	56-62	Horn Contact Screws	1.75 set
1680	58-62	Lower Steering Column Cover.	49.00 ea
1681	58-62	Lower Steering Col.Cover Bracket	15.50 ea
6157	53-62	Steering Column Mount Bracket Cushions	10.00 pr
7400	56-58	Steering Wheel	429.95 ea ND
7402	59-62	Steering Wheel	429.95 ea ND
7410	56-62	Hub & Bell Assy for Steering Wheel includes Threaded Type Rivets	99.75 ea
6159	56-62	Steering Whl Rivet Set-Threaded Type (6) (threaded rivets, wheel nut & washer, pins)	18.00 set
7411	56-62	Rivet Set for Steering Wheel Mounting	5.00 set
6155	56-62	Nut - Steering Wheel Mounting	1.50 ea
6156	56-62	Washer - Steering Wheel Mounting	1.50 ea
7412	56-62	Pin - Turn Signal Cancelling on Hub	3.00 pr



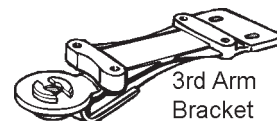
Steering Column Rebuilding Parts

10107	53-57	Steering Column Overhaul Kit	439.95 kit
10108	58-62	Steering Column Overhaul Kit	439.95 kit
#10107 and #10108 include steering column shaft with worm gear, sector roller with roller shaft bolt, upper bearing, small bearing and seal kit.			
1594	53-62	Steering Box Sector Wheel with Bearing and Seal Kit	185.00 kit
1590	53-62	Steering Box Small Bearing & Seal Kit	69.95 kit
7407	53-62	Steering Box to Frame Bolt Set (9 pcs)	10.50 set

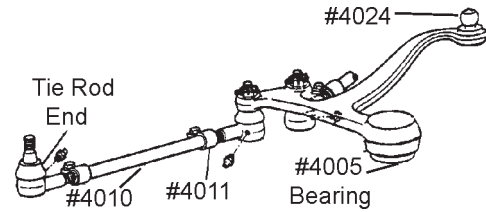
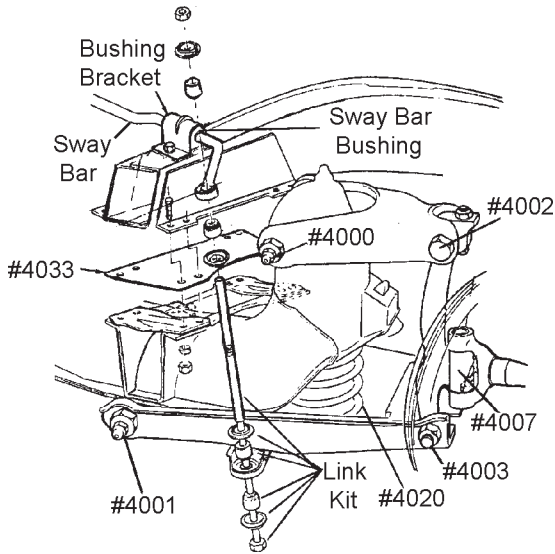
SUSPENSION - FRONT



4026	53-62	Pittman Arm Link Seal (2 req.)	12.00 ea
4017	53-62	Pittman Arm Link Rebuild kit (both sides)	105.00 kit ND
3847	56-57	Third Arm Bracket with Bolts	205.00 ea
4005	53-62	Third Arm Bearing.	49.00 ea
4006	53-62	Third Arm Bearing Seal	3.50 ea
4024	53-62	Ball Stud for Third Arm or Pitman Arm	42.50 ea



SUSPENSION - FRONT (continued)



4032	53-62	Basic Front End Rebuild Kit (Includes 8 Upper & Lower Shaft Kits, King Pin Set, 2 Tie Rod Ends, Upper & Lower A-Arm Bumpers and Sway Bar Links 329.00 kit LD
4030	53-62	Complete Front End Rebuild Kit - same as #4032 but with 4 Tie Rod Ends 369.00 kit LD
4031	53-62	Super Complete Front End Rebuild Kit (8 Upper & Lower Shaft Kits, King Pin Set, 4 Tie Rod Ends, Sway Bar Links, 4 A-Arm Bumpers, 2 Aluminum Shims, 2 Tie Rod Sleeves with Clamps, Third Arm Bearing with Seal and Coil Springs 529.00 kit LD
4953	53-62	Upper A-Arm 109.00 ea
4000	53-62	Upper Inner Shaft Kit 39.00 ea
4001	53-62	Lower Inner Shaft Kit 69.00 ea
4002	53-62	Upper Outer Shaft Kit 39.00 ea
4003	53-62	Lower Outer Shaft Kit 39.00 ea
4035	53-62	A-Arm Shaft Seal Kit (16 pcs) 25.50 kit
4919	53-62	Lower Inner Shaft to Crossmember "TR" Bolt Set (24 pcs) 18.00 kit
4004	53-62	Jam Nut & Lock Washer for Lwr Outer Shaft Kit - N.O.S. 7.50 ea ND
4018	53-62	Upper Inner Pivot Shaft Threaded Insert Bushing - for repair of shock tower (Includes 1 Front & 1 Rear Insert) 2 req. 34.00 pr
4007	53-62	King Pin Set - does both sides 45.00 set
4021	53-62	Link Kit Set - Sway Bar, Replacement 18.00 pr
4012	53-62	Link Kit Set - Sway Bar, correct headmark 26.00 pr
4020	53-62	Front Coil Spring - Standard 79.95 pr
4023	53-62	Lower Shock Mount Bracket 20.00 ea
4293	53-62	A-Arm Upper & Lower Bumpers (4 pcs) 16.50 set
4028	53-62	Lower A-Arm Bumper 5.00 ea
4029	53-62	Upper A-Arm Bumper 4.00 ea
4033	53-62	Front Aluminum Shim 20.00 ea
4034	53-62	Front Crossmember to Frame Bolt Kit with "TR" Headmark 22.00 set
4954	60-62	1" Frt Sway Bar - Repl 118.00 ea ND
4013	53-59	Bushing - Front Sway Bar - Std Susp 16.00 pr
4166	60-62	Bushing - Front Sway Bar - Std Susp 6.00 ea
4014	57-59	Bushing - Front Sway Bar - H.D. Susp 12.50 ea
4100	60-62	Bushing - Front Sway Bar - H.D. Susp 12.50 ea
4015	53-59	Front Sway Bar Bushing Bracket 10.00 ea
4016	53-59	Front Sway Bar Bushing Plate 7.00 ea
4137	60-62	Front Sway Bar Bushing Bracket 8.50 ea
4025	53-62	Front Sway Bar Bushing Bracket Bolts with "TR" Headmark 5.50 set
4060	53-62	Stabilizer Link Rubber Bushings (set of 8) .. 7.50 set
4027	53-62	Front Wheel Grease Cup 7.50 ea

4008	53-62	Tie Rod End L.H. Thread 22.00 ea
4009	53-62	Tie Rod End R.H. Thread 22.00 ea
4010	53-62	Tie Rod Sleeve (Tube) 24.00 ea
4011	53-62	Tie Rod Sleeve Clamp 13.50 pr
4084	53-62	Tie Rod End Rubber Dust Boot 4.00 ea
4005	53-62	Third Arm Bearing 49.00 ea
4006	53-62	Third Arm Bearing Seal 3.50 ea
4024	53-62	Ball Stud for Third Arm or Pitman Arm 42.50 ea

Pitman Arm & Third Arm - See Previous Page

Front Wheel Bearings

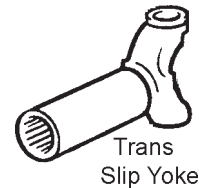
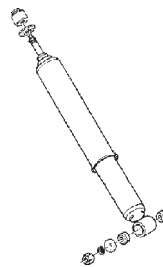
9025 53-62 Front Wheel Roller Bearing Kit - Eliminate those troublesome front ball bearings with our new Roller Bearing & Seal Kit - does both sides. 149.95 kit



3700	53-62	Front Wheel Bearing Inner (ball bearing) ... 45.00 ea
3701	53-62	Front Wheel Bearing Outer (ball bearing) .. 29.00 ea
3710	53-62	Front Wheel Inner Seal 10.00 ea

Shocks - Front & Rear

4022	53-62	Front Shock - Non Spiral (53-59 Repl) 45.00 ea
4043	53-62	Rear Shock - Non Spiral (53-59 Repl) 45.00 ea
10160	53-62	Delco Gas Shocks - Set of 4 A premium quality shock that provides excellent ride control. Performer Gas Shocks will deliver optimum ride comfort compared to original non-gas shocks ... 119.95 set



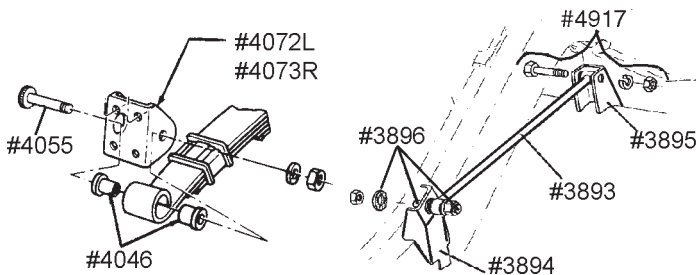
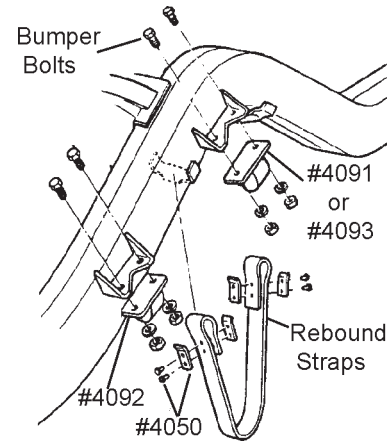
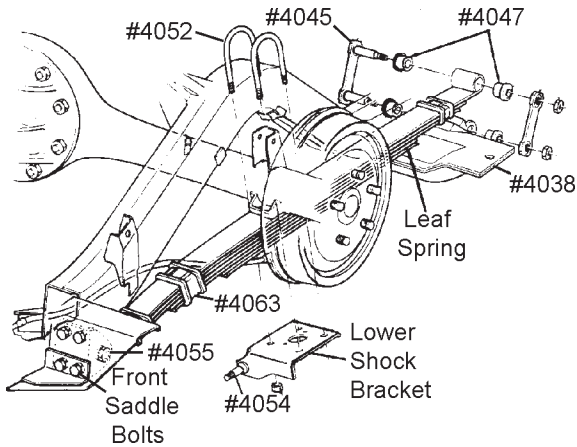
REAR END

3760	56-62	Pinion Seal 18.00 ea
3720	56	Axle Bearing w/"O" Ring 49.50 ea
3721	57	Axle Bearing w/"O" Ring 59.00 ea
3722	58-62	Axle Bearing w/"O" Ring(exc. Posi) 59.00 ea
3723	58-62	Axle Bearing w/"O" Ring (w/Posi) 59.00 ea
3730	56	Axle Bearing "O"-Ring 3.50 ea
3731	57-59	Axle Bearing "O"-Ring 3.50 ea
3732	60-62	Axle Bearing "O"-Ring (exc. Positraction) 3.50 ea
3733	60-62	Axle Bearing "O"-Ring (w/Positraction) 3.50 ea
3736	56-62	Rear Axle Bearing Flange Gasket 3.50 ea
3737	56-62	Rear Axle Backing Plate to Housing Bolts 8 bolts, washers & nuts w/AP Head 7.00 set

REAR END (continued)

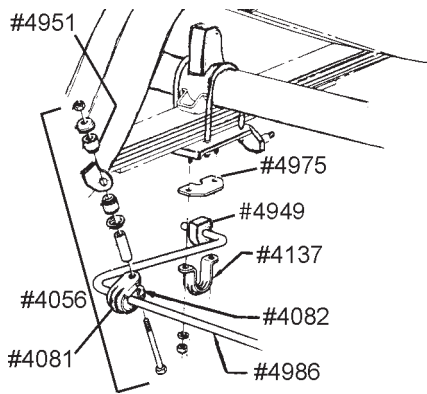
3745	56-62	Rear End Housing Gasket	5.00 ea	4058	53-62	Rear Leaf Spring Liner Kit 4 - Leaf correct cardboard & fiber material	109.00 set
3738	56-62	Rear End Carrier Bolt Copper Washer (set of 10)	5.00 set	4063	53-62	Rear Leaf Spring Banding Kit (6 pcs)	25.00 set
3713	56-62	Rear End Vent (metal) Screw-in type	12.50 ea	8568	53-62	Rear Spring Center Bolt w/Nut	4.00 ea
3714	56-62	Rear End Filler Plug w/washer N.O.S.	15.00 ea	6375	56-62	Rear Lower Cupped Shock Washer	1.50 ea
10395	56-62	Rear End Filler Plug w/Gasket - Repl	6.50 ea	6374	53-62	Rear Lower Shock Grommet	1.50 ea
5317	56-62	Trans Slip Yoke (Correct) - 16 spline for all cars using original trans (4 3/4" long spline)	136.00 ea	4044	53-62	Upper Shock Mount Cover - Waterproof Paper	5.50 pr
5316	56-62	Trans Slip Yoke - (Correct) 26 spline for cars retrofitted w/muncie 4sp (4 3/4" spline)	129.00 ea	4045	53-62	Shackle Kit w/Bushings (2 req.)	35.00 ea
7044	56-62	Driveshaft w/U-Joints - 2 1/2" Diameter...	139.00 ea	4703	53-62	Rear Spring Bushing Set (#4046 + #4047)	18.00 set
3740G	55-62	U-Joint - Drive Shaft	16.00 ea	4046	53-62	Rear Spring Front Bushings (4 pc set)	8.00 set
6378	55-62	U-Bolt for Drive Shaft "U" Joint	3.75 ea	4047	53-62	Rear Spring Rear Bushings (8 pc set)	13.00 set
4918	56-62	Posi Clutch Pack Kit	50.00 kit	3894	59-62	Strut Rod Bracket - welds to frame	55.00 ea
6307	57-62	Posi Rear Vent Line - Plated Steel	9.00 ea	3895	59-62	Strut Rod Bracket - welds to rear end	59.00 pr
8307	57-62	Posi Rear Vent Line - Stainless Steel	13.00 ea	3896	59-62	Strut Rod to Frame Stud w/Nut & Washer	24.00 ea
4495	57-62	Posi Rear Vent Line Fitting in Housing	4.00 ea	3893	59-62	Radius/Strut Rod with Bushings (one pieced forged construction)	59.95 ea
3715	56-62	3.55 Gears	319.00 set	4049	59-62	Radius/Strut Rod Bushing	10.00 ea
3716	56-62	3.70 Gears	269.00 set	4917	59-62	Rear Strut Rod Mounting Hardware Kit	5.00 kit
3717	56-62	4.11 Gears	269.00 set	4072	53-62	Rear Spring Front Saddle - Lt	48.00 ea
3718	56-62	Gear Installation Kit (Bearings, Seals, Gaskets, Shims, Ring Gear Bolts - Specify Year....)	135.00 set	4073	53-62	Rear Spring Front Saddle - Rt	48.00 ea
3696	ALL	Rear Axle Gear Lubricant (2 per car)	8.75 ea	8513	56-57	Rear Spring Front Saddle "TR" Bolts (8pc)	18.00 set
3695	ALL	Positraction Additive (1 per car)	7.75 ea	4069	58-62	Rear Spring Front Saddle Bolt Kit (8 pcs) Indented hex head with captured lockwasher, plain head	15.00 set

SUSPENSION - REAR



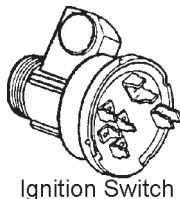
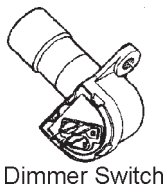
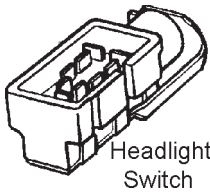
4038	53-62	Rear Crossmember	299.00 ea	4051	53-58	Axle Rebound Straps 27.24" w/Hardware ..	66.50 kit
4039	53-62	Rear Crossmember Rivet Set	6.00 set	4036	59	Axle Rebound Straps 28.36" w/Hardware ..	66.50 kit
4901	53-62	Rear Leaf Spring - 4 Leaf Std - Replacement	119.00 ea	4064	60E	Axle Rebound Straps 29.90" w/Hardware ..	66.50 kit
4902	53-62	Rear Leaf Spring - 5 Leaf HD - Replacement	135.00 ea	4037	60L-62	Axle Rebound Straps 29.50" w/Hardware ..	66.50 kit
				4050	53-62	Axle Rebound Strap Plates w/rivets	10.00 set
				4057	53-62	Axle Rebound Strap Rivets (8 pc set)	3.00 set
				4091	53-58	Rear Axle Bumper (Over Axle)	20.00 ea
				4092	57-58	Rear Axle Bumper (Front-Over Axle)	20.00 ea
				4093	59-62	Rear Axle Bumper	20.00 ea
				10026	53-58	Rear Axle Bumper Bolts WB-1C (4 bolts, nuts and lws)	6.00 set
				4095	59-62	Rear Axle Bumper Bolts - "LG"(4 pcs)	8.50 set

59-62 REAR SWAY BAR is on the NEXT PAGE



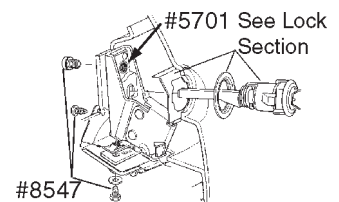
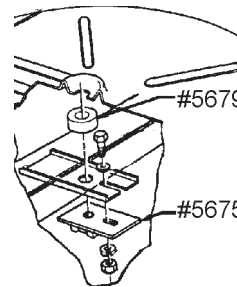
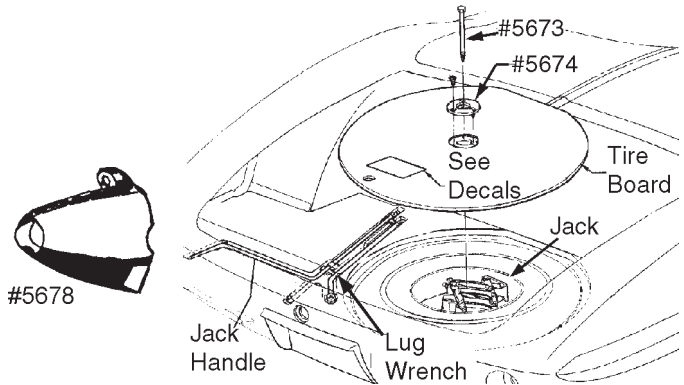
59-62 Rear Sway Bar

4986	59-62	Rear Sway Bar	120.50 ea
4048	59-62	Sway Bar Bushing Set (4 pcs of #4949, and 1 set of #4951)	34.00 set
4949	59-62	Sway Bar Bushings (4 req)	16.00 pr
4951	59-62	Sway Bar Link Bushings (4 pcs)	4.00 set
4137	59-62	Sway Bar Bushing "U" Bracket	8.50 ea
4975	59-62	Sway Bar Bushing Shim	6.00 ea
4056	59-62	Sway Bar Link Kit - Less Bushings	17.95 pr
4081	59-62	Sway Bar Link "C" Bracket	10.00 ea
4082	59-62	Sway Bar Link "C" Bracket Retainer	7.00 ea
4075	60-62	Inner Sway Bar Bracket - Weld to Frame .	11.00 ea
4083	59-62	Rear Sway Bar Kit (includes 4986, 4975, 4056, 4081, 4082, 4137 and Bushings 199.95 set ND	



SWITCHES

3502	55-57	Ignition Switch - Repro	69.95 ea
3503	58-59	Ignition Switch - Repro	69.95 ea
3504	60-62	Ignition Switch - Repro	79.95 ea ND
4540	53-59	Ignition Switch Nut	10.00 ea
5507	60-65	Ignition Switch Nut	8.50 ea
6390	56-62	Ignition Switch Nut Wrench	8.50 ea
3510	53-55	Headlight Switch (6 Volt)	175.00 ea
3511	55-57	Headlight Switch (12 Volt) - Repro	39.00 ea
3512	58-62	Headlight Switch	39.00 ea
4541	58-60	Headlight Switch Nut	13.00 ea
4542	61-62	Headlight Switch Nut	13.00 ea
10099	55-57	Dimmer Switch - (Look-a-Like)	23.00 ea
3521	58-62	Dimmer Switch - (Look-a-Like)	20.00 ea
3560	55-62	Horn Relay (12 Volt) - Replacement	23.50 ea
3525	58-62	Brake Light Switch - Plastic	8.50 ea
6361	58-62	Brake Light Switch Bracket	14.50 ea
3465	53-62	Turn Signal Switch w/Wire	21.00 ea
3565	55-62	Ignition Coil Ballast Resistor	20.00 ea
6151	56-62	Turn Signal Cancelling Switch Assy.	64.00 ea
8063	53-62	Courtesy Light/Door Jamb Switches includes gaskets & screws	25.50 ea
10086	55-57	Automatic Neutral Safety Switch (V-8)	67.00 ea
10507	58-60	Automatic Neutral Safety Switch	67.00 ea
3591	55-61	Voltage Regulator D 618 - Delco - Repl	62.00 ea
10095	55-61	Voltage Regulator- OEM Style- Non Delco	44.00 ea
3592	62	Voltage Regulator D 621 - Delco - Repl	46.50 ea
10096	62	Voltage Regulator- OEM Style- Non Delco .	34.00 ea
8556	56-62	Voltage Regulator Attaching Screws (3)	3.50 set



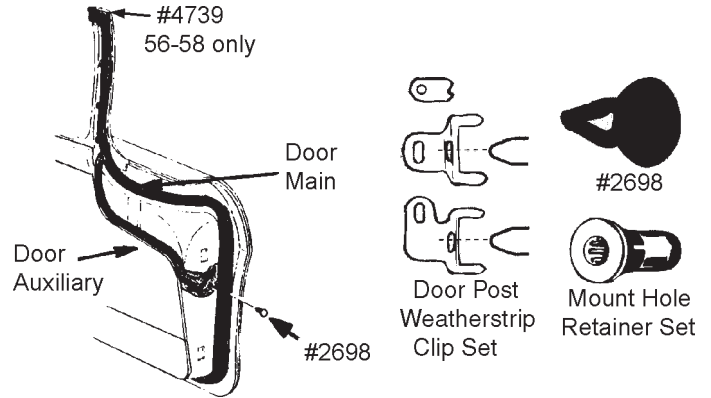
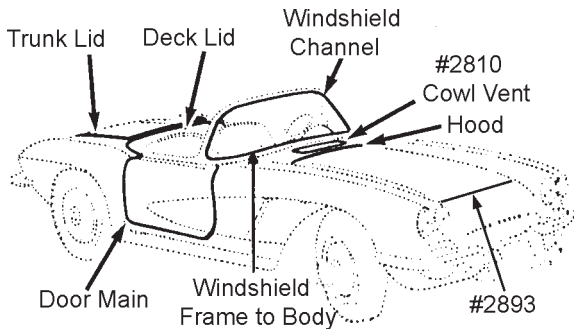
TRUNK

5646	53-61	Jack - Exact Repro	205.00 ea
5647	62	Jack - Exact Repro	229.00 ea
2573	53-61	Jack Handle - Exact Repro	38.00 ea
3049	62	Jack Handle - Exact Repro	38.00 ea
2574	53-60	Lug Wrench - Exact Repro	38.00 ea
5629	61-62	Lug Wrench - Exact Repro	38.00 ea
5690	56-57E	Jack Handle & Lug Wrench Clips- 2 req ...	15.00 ea
5676	57L-60	Jack Handle and Lug Wrench Clips	13.95 pr
5677	61-62	Jack Handle and Lug Wrench Clips	15.50 kit
5683	61-62	Jack Handle Pad Set	4.00 set
5673	53-62	Spare Tire Bolt	12.95 ea
5674	53-62	Spare Tire Board Cup w/Screws	12.00 ea
5675	53-62	Spare Tire Bolt Nut on Frame	8.00 ea
8411	53-62	Spare Tire Bolt Nut Plate "TR" Bolts & Nuts (5 pcs)	1.50 set
5679	53-62	Spare Tire Bolt Foam Seal	4.00 ea
5671	56-60	Spare Tire Board (5 Ply) w/Cushions	72.50 ea LD
5672	61-62	Spare Tire Board (5 Ply) w/Cushions	72.50 ea LD
9780	56-62	Spare Tire Board Foam Cushions (3)	7.50 set
9781	58	Trunk Floor Side Filler Panels - Fiberglass	79.00 pr ND
5670	61-62	Trunk Floor Access Plates	15.50 pr
5678	61-62	Tail Light Protector Cones - Gray (4 pcs) .	26.50 set
5701	56-60	Trunk Lid Latch Mechanism	92.50 ea
8547	56-60	Trunk Lid Latch Mount Kit (9 pcs)	5.00 set
5651	61-62	Trunk Lid Catch Wire on Lid	34.50 ea
5648	53-62	Conv Lid & Trunk Lid Shim - Correct	6.50 ea
9509	56-60	Trunk/Deck Lid Hinge Spring Set (4 pcs) .	31.00 set
9510	61-62	Trunk/Deck Lid Hinge Spring Set (4 pcs) .	31.00 set
9875	56-62	Trunk/Deck Lid Hinge Shim Set (6 pcs)	13.00 set
8636	53-58	Trunk Lid Hinge "TR" Bolt Set (6 pcs)	15.50 set
8648	59-62	Trunk Lid Hinge Bolt Set (6 pcs)	7.00 set
9783	61-62	Trunk Lid Drain Hoses	3.00 pr
9784	61	Trunk Lid Pop-Up Spring w/Bumper	11.00 ea
9785	62	Trunk Lid Pop-Up Spring w/Bumper	11.00 ea
9786	61-62	Trunk Lid Spring Bumper	4.25 ea
5663	58-62	Trunk Liner S-Clip - Correct Stamping (4) .	10.00 set
5644	56-62	Trunk Liner Mount Brackets	14.50 pr

Trunk Mats and Liners - See Interior Section
Locks - See Lock Section

WEATHERSTRIP

American Made - not Foreign



Body Weatherstrip Kits

2752	56-58	Correct Body Weatherstrip Kit (Includes #2651, 2652, 2736, 2860, 2866, 2888 or 2889 and 2810).....	129.95 kit
10060	59E	Correct Body Weatherstrip Kit (Includes #2651, 2652, 2736, 2861, 2867, 2889 & 2810)	129.95 kit
2753	59L-60	Correct Body Weatherstrip Kit (Includes #2654, 2655, 2739, 2861, 2867, 2889 and 2810)	139.00 kit
2754	61-62	Body Weatherstrip Kit (Includes #2657, 2658, 2739, 2861, 2867(replacement deck lid), 2889 and 2810)	159.00 kit
2755	61-62	Correct Body Weatherstrip Kit (Includes #2657, 2658, 2739, 2861, 2870(correct), 2889 and 2810)	189.00 kit

Conv. Deck Lid

2866	53-58	Deck Lid (L-Shaped)	13.00 ea
2867	59-60	Deck Lid w/Ribs (61-62 Repl)	15.50 ea
2870	61-62	Deck Lid w/Correct Molded Ends (2 pc)	49.00 ea

Hood

2888	53-57	Hood Ledge	10.00 ea
2889	58-62	Hood Ledge - Rear	9.00 ea
2893	59-60	Hood Seal - Radiator Support to Hood	28.00 ea
2641	53-62	Hood Rubber Bumpers - Rear	4.00 pr
2632	56-57	Hood Stabilizer Blocks - Front	15.50 pr
2631	56-57	Hood Stabilizer Block Screws & Washers ...	3.50 set

Trunk

2860	53-58	Trunk (L-Shaped)	18.00 ea
2861	59-62	Trunk (Tubular) - Correct w/Ribs	24.00 ea

Windshield

2681	53-55	Windshield Channel	36.00 ea
2674	56-62	Windshield W/Strip Kit (Includes 2682, 2683 and 2684) List \$48.00	Sale...43.00 set
2682	56-62	Windshield Channel	32.00 ea
2683	56-62	Windshield Frame to Body	12.00 ea
2684	56-62	Windshield Ends for Frame to Body Seal	4.00 pr
2650	56-62	Upper Windshield to Frame Filler Strip	5.00 ea

Miscellaneous

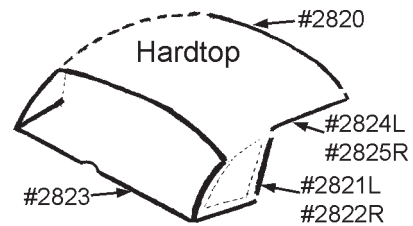
2810	53-62	Cowl Vent (1- Piece)	9.00 ea
1300	53-62	Splash Pan Weatherstrip	18.00 pr
1239	ALL	3M Weatherstrip Adhesive - Black	7.95 ea
1240	ALL	3M Weatherstrip Adhesive - Amber	7.95 ea
2698	56-62	Weatherstrip Metal Push-In Buttons (8 pcs)	5.00 set

Door

2649	53-55	Door Main	13.50 ea
2651	56-59E	Door Main - Lt (no pins)	31.50 ea
2652	56-59E	Door Main - Rt (no pins)	31.50 ea
4739	56-59E	Door Post Upper Window Stop & Seal	29.00 pr
2654	59L-60	Door Main with Plastic Pins - Lt	38.00 ea
2655	59L-60	Door Main with Plastic Pins - Rt	38.00 ea
2736	56-59E	Door Auxiliary (before S/N 6300 1959) Correct Foam Material	24.00 pr
2739	59L-62	Door Auxiliary (after S/N 6300 1959) Correct Foam Material	24.00 pr
2657	61-62	Door Main with Plastic Pins - Lt	48.00 ea
2658	61-62	Door Main with Plastic Pins - Rt	48.00 ea
2852	59-60	Door W/Strip Mount Hole Retainers (54 pc)	13.00 set
2853	61-62	Door W/Strip Mount Hole Retainers (40 pc)	11.00 set
2725	56-58E	Door W/Strip End Retainer	7.00 pr
2726	58L-60	Door W/Strip End Retainer	11.00 pr
2698	56-62	Door W/Strip Metal Push-In Button (8 pcs) ..	5.00 set
2854	59-60	**Door Post Weatherstrip Clips (22 pcs)..	34.00 set
2855	61-62E	**Door Post Weatherstrip Clips (18 pcs)..	29.00 set
2856	62L	**Door Post Weatherstrip Clips (22 pcs) ..	34.00 set

**** NOTE:** Weatherstrip clip sets include clips, wire retainers and screws. The original clips have a "fish hook" barb, but that was to hook the clip to the reinforcement wire in the original door weatherstrips. Reproduction door weatherstrips do not have this wire. These clips were designed to give the correct look to the repro door weatherstrips

6016	56-62	Weatherstrip (Drain Seal) Assy. - Fits Between Lower Door Glass & Window Frame)	27.00 pr
------	-------	---	----------



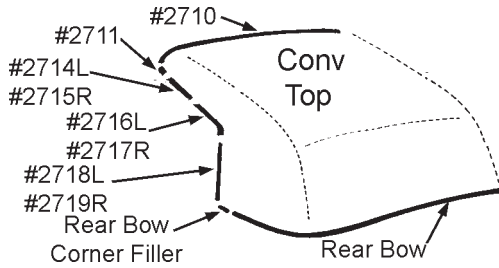
Hardtop

2819	56-62	Hardtop Weatherstrip Kit (6 pcs) contains #2826 Rear Bow	379.00 set
2820	56-62	Front Header	17.00 ea
2824	56-62	Horizontal Side Rail - Lt (56-59E Repl)	62.00 ea
2825	56-62	Horizontal Side Rail - Rt (56-59E Repl)	62.00 ea
2821	56-62	Vertical Side Rail - Lt (56-59E Repl)	31.00 ea
2822	56-62	Vertical Side Rail - Rt (56-59E Repl)	31.00 ea
2826	56-60	Rear Bow & Rear Window (61-62 Repl) Reproduction	209.00 ea
2823	56-60	Rear Bow & Rear Window (61-62 Repl) GM original	229.00 ea

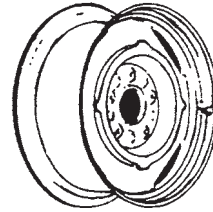
#2826 and 2823 do not have the hump for 61-62

Convertible Top Weatherstrip - See Next Page

WEATHERSTRIP (continued)



WHEELS & HUBCAPS



Convertible Top Weatherstrip

2734	56-58	Soft Top W/Strip Kit - Less Mohair Rear Strip (11pcs)	119.00 set
2731	56-57E	Soft Top W/Strip Kit - Less Retainers with Tan Mohair for Rear (12 pcs)	149.00 set
2709	57L-58	Soft Top W/Strip Kit - Less Retainers with Black Mohair for Rear (12 pcs)	149.00 set
2732	59-60	Soft Top W/Strip Kit - Less Retainers (12 pcs)	119.00 set
2733	61-62	Soft Top W/Strip Kit - Less Retainers (12 pcs)..	119.00 set
2710	56-62	Front Header	20.00 ea
2738	56-58	Header Bow W/Strip Retainer Kit S.S. w/Screws (2 pcs)	26.00 set
10200	59-62	Header Bow W/Strip Retainer with Screws (1 pc)	28.50 set
2713	56-62	Soft Top Front W/Strip Screw and T-Nut Set (24 pcs)	10.00 set
2711	56-62	Header End Filler Wedges	15.00 pr
2735	56-62	Soft Top Side Weatherstrip Rail Set (6 pcs)	62.50 set
2737	56-62	Side Rail Metal Retainers	22.50 set
2714	56-62	Side Front - Lt	14.00 ea
2715	56-62	Side Front - Rt	14.00 ea
2716	56-62	Side Center - Lt	12.75 ea
2717	56-62	Side Center - Rt	12.75 ea
2718	56-62	Side Rear - Lt	9.00 ea
2719	56-62	Side Rear - Rt	9.00 ea
2724	56-62	Soft Top Side Rail W/Strip Retainer Screw and T-Nut Kit (34 pcs)	20.00 kit
2720	56-60	Rear Bow Corner Filler Exten. - Lt	28.00 ea
2721	56-60	Rear Bow Corner Filler Exten. - Rt	28.00 ea
2722	61-62	Rear Bow Corner Filler Exten. - Lt	28.00 ea
2723	61-62	Rear Bow Corner Filler Exten. - Rt	28.00 ea
2727	56-57E	Rear Bow Beige Mohair Strip	37.50 ea
2728	57L-58	Rear Bow Black Mohair Strip	37.50 ea
2729	59-60	Rear Bow - Rubber	20.00 ea
2730	61-62	Rear Bow - Rubber	15.00 ea
2751	61-62	Rear Bow Hold-In Cord	6.00 ea

2624 56-62 **15 X 5 Steel Rim w/Dimples (Repl) 99.00 ea ND
 **These new rims have the dimples to hold on your hubcaps. Can be used with tubeless tires and have extra back clearance for use w/disc brakes. They only have the dimples for the full size hubcaps.

2535	53-62	Lug Nut - Standard Wheel75 ea
10556	53-62	Lug Nut Set - Standard Wheel (20 pcs)	16.95 set
2515	53-59	Metal Valve Stem Caps (5 pcs)	6.50 set
9832	60-62	Black Valve Stem Caps (correct raised Dill #627) 5 pcs	2.95 set
10292	53-62	Wheel Stud	1.50 ea
4027	53-62	Front Wheel Grease Cup	7.50 ea
10555	56-62	Front Wheel Static Collector	25.00 ea

2504 56-58 Hubcaps w/Spinners - US Made Repto (Set of 4)** 619.00 set ND

2516 59-62 Hubcaps w/Spinners - US Made Repto (Set of 4)** 619.00 set ND

2526**	56-58	Hubcap w/Spinner - Exact Repto - US Made	179.00 ea
2527**	59-62	Hubcap w/Spinner - Exact Repto - US Made	179.00 ea

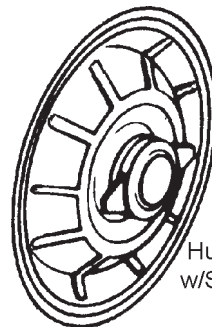
2525 56-62 Hubcap Spinner - Show Chrome (made by Trim Parts)

2518 56-62 Hubcap Spinner Set - US Made by Trim Parts - Show Chrome w/retainers & screws (set of 4) 189.95 set

10076 56-62 Hubcap Spinner Set - Quality Repto with retainers & screws (set of 4) 129.00 set

2539 56-62 Spinner Retainer w/Screws (set of 4)

ORDER FORM
 See
 Last Page

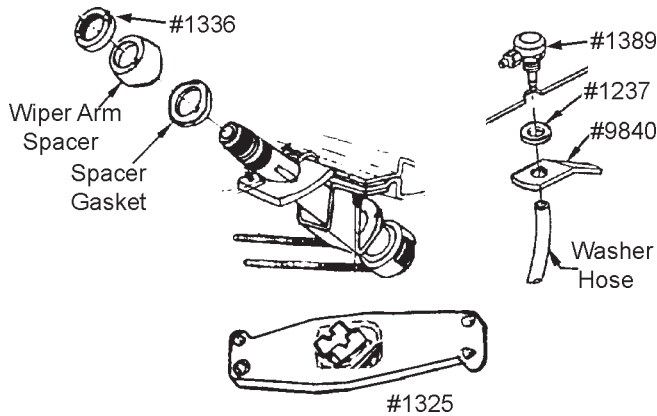


Hubcap w/Spinner

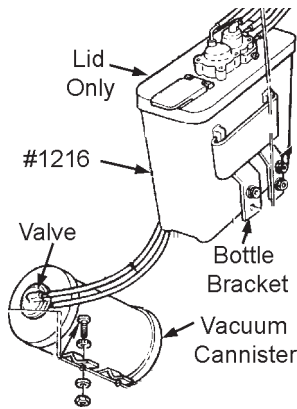


Hubcap Spinner

WINDSHIELD & WIPER PARTS



1319	53-57	Chrome Wiper Arm Spacer.	39.00 pr
1326	58-62	Chrome Wiper Arm Spacer.	39.00 pr
1346	53-57	Gasket - Chrome Spacer to Body	3.00 pr
1327	58-62	Gasket - Chrome Spacer to Body.....	2.50 pr
1336	53-62	Nut - Chrome Spacer on Transmission	10.50 pr
9848	56-62	Wiper Arms w/Bright Finish S.S. Correct Style (do not say "Trico")	92.50 pr
9831	56-62	Wiper Blades w/inserts (Correct Repr) ...	73.50 pr
1378	56-62	Wiper Arms - Polished S.S. - Repl	39.95 pr
1377	56-62	Wiper Blades - Polished S.S. - Repl	39.95 pr
1329	56-62	Wiper Blade - Dull Stainless - Repl.	15.00 ea
1389	53-62	Washer Nozzles, Flat Nuts & Gaskets	37.00 set
9840	53-62	Washer Nozzle Flat Nut.....	13.00 pr
1237	53-62	Washer Nozzle Gaskets.....	1.25 pr
1325	58-62	Wiper Motor Mounting Plate w/Pulley	150.00 ea ND
9841	58-62	Wiper Mtg.Plate to Firewall Gasket	5.00 ea
1217	58-62	Wiper Motor - Plastic Slide Actuator	7.00 ea
1314	59-62	Wiper Motor Slide Actuator Block	10.00 ea



9844	58-62	Windshield Washer Vacuum Tank	95.00 ea
9952	58-59E	Washer Bottle Lid (Blue)	65.00 ea
9953	59L-62	Washer Bottle Lid (Gray)	65.00 ea
1216	58-62	Washer Bottle - No Top	29.00 ea
9352	58-62	Windshield Washer Bottle Bracket w/Fl	35.00 ea
9353	58-62	Windshield Washer Bottle Bracket non Fl ..	35.00 ea
1465	56-62	Firewall Washer Hose Grommet	7.50 ea
9842	56-57	Washer Hose Set	38.50 set
1334	58-62	Washer Hose Set exc. Fl.	19.00 set
1335	58-61	Washer Hose Set w/Fl.	19.00 set
9843	62	Washer Hose Set w/Fl.	19.00 set

9846	53-60	Brass Washer Hose Ties (set of 4)	15.00 set
1337	61-62	Aluminum Heater & Washer Hose Ties	16.00 set
3549	56-57	**Wiper Switch Assy. w/Cable - Rebuilt ...	109.00 ea
3550	58-62	**Wiper Switch Assy. w/Cable - Rebuilt	99.00 ea
**#3549 & #3550 have a CORE CHARGE of \$50.00			
1308	58-60	Windshield Wiper Switch Nut	10.00 ea
1328	61-62	Windshield Wiper Switch Nut	10.00 ea
4533	58-60	Wiper Knob w/o Washer	24.50 ea
4537	58-60	Wiper Knob w/Washer (includes button)	36.00 ea
8680	56-62	Windshield Lower Frame to Body "T"-Bolt, Washer & Nut	4.00 ea
9964	56-62	Windshield Lower Frame to Body T-Bolt w/Nut (set of 8)	24.00 set
9968	56-62	Upper Windshield Frame Nut Plate	20.00 pr
9969	56-62	Lower Windshield Frame Nut Plates w/Screws	19.50 pr
8567	56-62	Upper Windshield Frame Screw Set (12 pcs)	7.50 set

WIRING HARNESSES

Main Dash Harnesses

3416	53-55	Main - 6 Cyl (includes forward lamp)	469.00 ea
3418	55	Main - 8 Cyl (includes forward lamp)	395.00 ea
3419	56-57	Main (includes forward lamp)	395.00 ea
3420	58-61	Main (includes forward lamp)	395.00 ea
6929	62	Main (includes forward lamp)	395.00 ea
6957	56-57	Fuse Block Panel w/Mtg BracketDISC
6259	58-62	Fuse Block Repair Kit - includes fuse block all new buss bars and fuse clips	110.00 ea

Headlight Harnesses

3400	53-55	Headlight Extensions w/Grommet - 6 Cyl .	64.00 pr
3401	55-57	Headlight Extensions w/Grommet - 8 Cyl .	55.00 pr
3402	58-62	Headlight Extensions w/Grommets	55.00 pr

Ignition/Engine Harnesses & Related

3430	53-55	Ignition - All - 6 Cyl	84.00 ea
3432	55	Ignition - Manual - 8 Cyl	84.00 ea
3431	55	Ignition - Auto - 8 Cyl	84.00 ea
3434	56	Ignition - Manual	84.00 ea
3433	56	Ignition - Auto	84.00 ea
3436	57E	Ignition - Manual exc. Fl (before Apr 57) ..	84.00 ea
5270	57L	Ignition - Manual exc. Fl (after Apr 57)	84.00 ea
3438	57	Ignition - Manual w/Fl	84.00 ea
3435	57E	Ignition - Auto exc. Fl (before Apr 57)	84.00 ea
5272	57L	Ignition - Auto exc Fl (after Apr 57)	84.00 ea
3437	57	Ignition - Auto w/Fl	84.00 ea
3439	58-62	Ignition - Manual	84.00 ea
3440	58-61	Ignition - Auto	84.00 ea
3441	62	Ignition - Auto	84.00 ea
9320	56	Engine Harness Temp Sender Repair Kit ..	11.00 ea
9321	57-62	Engine Harness Temp Sender Repair Kit ..	11.00 ea

(Continued on Next Page)

WIRE HARNESS DISCOUNT OFFER - 10% DISCOUNT
off the Purchase of \$500.00 worth of wiring harnesses
for one particular year of Corvette. One single order -
No Accumulations

WIRING HARNESSES (continued)

Rear Harnesses

3460	53-55	Rear Harness - 6 Cyl	110.00 ea
3461	55	Rear Harness - 8 Cyl	110.00 ea
3462	56-57	Rear Harness	99.00 ea
6976	58-60	Rear Harness	99.00 ea
3463	61-62	Rear Harness	99.00 ea

Power Top & Power Window Harnesses

3477	56-57	Power Window Harness	144.00 ea
3478	58	Power Window Harness	144.00 ea
6960	59-62	Power Window Harness	144.00 ea
10526	56	Power Top Harness Assy	269.00 ea LD
10527	57	Power Top Harness Assy	269.00 ea LD
3497	58-62	Power Top Harness Assy	269.00 ea LD

Power Top Harness Assemblies include main harness, (2) power top limit switch harnesses and main feed line

6995	56-62	Power Top Main Feed Lead Wire	12.00 ea
3496	56-62	Power Top Ground Strap	15.00 ea

Ground Straps & Ground Wires

1441	55-60	Radio Ground Strap Set	23.00 set
10269	61-62	Radio Ground Strap Set	23.00 set
6989	56-57	Ground Wire, Cigarette Lighter	11.00 ea
1496	58-62	Ground Wire Assy. - Radio Support	5.00 ea
6969	58-62	Radio to Valve Cover Ground Lead	10.00 ea
9329	55-62	Ground Wire - Wiper Motor (V-8)	11.00 ea



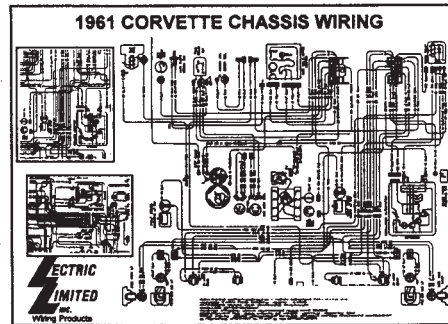
#3485 Tail Lamp Pigtail



#3495

Miscellaneous Wiring

3465	53-62	Turn Signal Switch w/Wires	21.00 ea
3464	58-59	Regulator to Generator Harness	35.00 ea
6983	60-62	Regulator to Generator Harness	32.00 ea
6984	58-60	Emergency Brake Flasher Leads w/Lamp Wire	15.00 ea
6985	61-62	Emergency Brake Flasher Leads w/Lamp Wire	15.00 ea
3399	55-57	Heater Leads - V-8	28.00 pr
3481	57	FI Electric Choke Lead Repair Kit	15.00 ea
9398	55-57	Radio Power Leads V-8	17.00 ea
9322	55-57	Wiper Motor Power Lead (V-8)	11.00 ea
9303	58-62	Wiper Motor Power Lead	11.00 ea
6988	56-57	Courtesy Lamp Extension (set of 4)	15.00 set
2136	58-62	Courtesy Light Harness w/Socket	15.50 ea
6909	58-62	Coil to Ballast Resistor Wire	11.00 ea
3494	56-57	License Lamp Socket w/Wire	22.50 pr
3495	58-60	License Lamp Socket w/Wire	22.50 pr
2021	53-57	Parking Lamp Socket w/Wire	83.00 pr
2024	58-62	Front Parking/Turn Signal Lamp Extension Set includes wiring, tubing & sockets)	43.00 pr
3408w	58-62	Parking Lamp Male & Female Connectors	10.00 set
3485	56-62	Tail Lamp Pigtail	11.00 ea
9990	55-61	Neutral Safety Switch to Transmission Relay Lead, all auto	11.00 ea



#3474
or
#3487

Wiring Diagrams - Laminated

3470	53-55	Wiring Diagram 17" x 22" - 6 Cyl	13.00 ea
3471	55-57	Wiring Diagram 17" x 22" - 8 Cyl	13.00 ea
3472	58-60	Wiring Diagram 17" x 22"	13.00 ea
3473	61-62	Wiring Diagram 17" x 22"	13.00 ea

Wiring Related

3499	53-62	Wiring Harness Tape Roll - nonstick	8.00 ea
3443	56-62	Temperature Wire Insulation (Correct Size)	4.50 ea
3474	56-62	Wire Harness "J" Clip on Firewall - overall length 1 1/4"	3.00 ea
3487	56-62	Wire Harness "J" Clip on Firewall - overall length 1 5/8"	3.00 ea
3445	56-62	Wire Harness "J" Clip on Firewall, Zinc 1 1/4" long	2.00 ea
6927	56-62	Underhood Wire Harness Clip Set w/Screw (20 pc set)	42.00 set
6930	56-62	Underdash Wire Harness Clip Set (to Windshield Bolts) 6 pc set	16.00 set
1942	58-62	Headlight Harness Connector Clip to Inner Fender (4 pc)	13.00 set
6902	58-62	Wire Tie Strap (white plastic)	2.50 ea
1337	61-62	Aluminum Wire Tie Strap Set (10 pcs)	16.00 set
9846	53-60	Brass Wire Tie Strap (4 pc set)	15.00 set



Fuse / Flasher Kits

Include all the fuses and the flasher(s) required for a complete installation, along with a spare of all fuse sizes, an extra flasher and a fuse removal tool is also included.

9330	53-55	(6 Volt) Fuse/Flasher Kit (8pcs)	22.00 kit
9331	55-57	Fuse/Flasher Kit (13 pcs)	15.00 kit
9332	58-62	Fuse/Flasher Kit (11 pcs)	15.00 kit

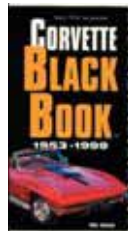
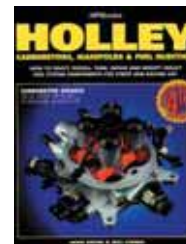
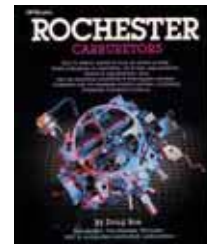
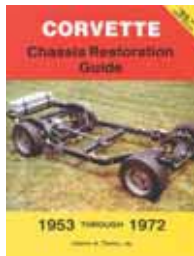
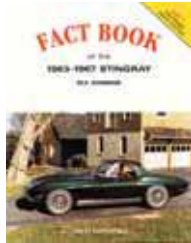
Light Bulb Kits

Replaces all interior and exterior light bulbs (except headlights). Includes instructions on the location of each bulb.

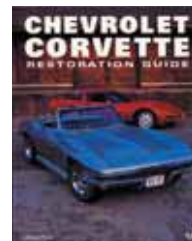
9333	53-54	Light Bulb Kit (20 pcs)	17.00 kit
9334	55-57	Light Bulb Kit (20 pcs)	17.00 kit
9335	58-59	Light Bulb Kit (18 pcs)	17.00 kit
9336	60	Light Bulb Kit (18 pcs)	17.00 kit
9337	61-62	Light Bulb Kit (18 pcs)	17.00 kit

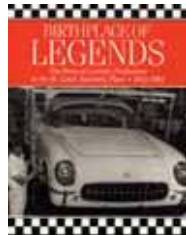
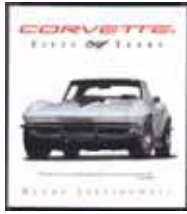
WIRE HARNESS DISCOUNT OFFER - 10% DISCOUNT
off the Purchase of \$500.00 worth of wiring harnesses
for one particular year of Corvette. One single order -
No Accumulations

3808	53-62	Restoration and Technical Guide 79.95 ea ND			
3803	63-67	Restoration and Technical Guide 79.95 ea ND			
10487	68-82	Restoration and Technical Guide.....Coming Soon The Restoration and Technical Guides are one of the best reference guides you can buy. Both contain over 400 pages of illustrations, charts, diagrams and techniques for doing the job right.			
3804	63-67	Vette Vues Fact Book 42.95 ea			
3807	68-72	Vette Vues Fact Book 42.95 ea			
3805	73-77	Vette Vues Fact Book 34.95 ea The Vette Vues Fact Books contain hundreds of facts and photos on engine specs, gear ratios, options, prices, paint #'s, interior and exterior colors, decals, and much more.			
3835	53-72	Chassis Guide 23.95 ea This guide provides the greatest amount of information available on the restoration of a 53-72 Corvette rolling chassis. Gives many dimensions, part #'s, stamping #'s, tags, chalk marks, build sheets, original component finish colors and much more. 95 pages			
3860	53-67	NCRS Pocket Spec Guide Vol 1 14.95 ea			
3861	68-82	NCRS Pocket Spec Guide Vol 2 14.95 ea These pocket size guides contain pages of information on facts, figures, casting numbers, part #'s, date codes, etc			
3864	53-82	NCRS Judging Manuals Specify Year of Car 39.95 ea ND If you are having your car judged this is the manual you need Details part-by-part how Corvettes appeared at the time of final assembly. Included are finishes, part numbers, casting numbers, survey results, etc			
10181	55-82	Corvette By The Numbers 49.95 ea VIN, Block, Carbs, Manifolds, Water Pumps, Distributors, Generators, Alternators, Trans, Rear Axle, Radios, Etc			
3800	53-07	Black Book 15.95 ea Contains information on serial numbers, codes, prices, options, colors, head numbers, and block numbers on each year			
10488	53-93	Catalog of Corvette I.D. Numbers 24.95 ea Packed full of VINs, body #'s, engine #'s, trim and paint codes, interior colors and much more (215 pages)			
10492	Any	Corvette Illustrated Encyclopedia 19.95 ea Gives a detailed look at the terms & names that mean so much to Corvette history. Learn to interpret the numbers & slang that are the code of Corvette. Specs for Corvettes from 1953-2004. 300 pages			
10491	Any	Corvette: Five Decades of Sports Car Speed 24.95 ea Stunning photography combined with a well-researched history 192 pages			
3887	68-82	Headlight & Wiper Vacuum System Troubleshooting Guide 9.95 ea ND Step-by-step diagnosis of your headlight and wiper door system.			
					Corvette Body Repair Guides -Step-by-step instructions on how to repair and replace all panels and much more.
10156	63-67	Corvette Body Repair Guide Volume I 32.00 ea This volume covers the front sections.			
10157	63-67	Corvette Body Repair Guide Volume II 32.00 ea This volume covers the rear sections			
10158	68-82	Corvette Body Repair Guide Volume III 32.00 ea This volume covers the front sections			
10159	68-82	Corvette Body Repair Guide Volume IV 32.00 ea This volume covers the rear sections			
3843	Any	Automotive Paint Handbook 18.95 ea A complete resource guide illustrated with hundreds of photos. Covers - detailing, material selection, application, choosing a body shop and paint finish restoration.			
3869	65-71	How To Hot Rod Big Block Chevys 18.95 ea Covers 396, 402, 427, and 454 engines from 1965-1971.			
3897	55-72	How to Hot Rod Small Block Chevys ... 18.95 ea Perhaps the best high performance guide to all small block Chevy V-8's from 55-72.			
5117	Any	Rochester Carburetors 18.95 ea Everything you need to know to tune, rebuild, or modify Rochester Carbs. How to select, install, and tune-up your carb for street or strip. Repairs, adjustments, fuel & air requirements. Tips on choosing manifolds & fuel supply systems and info on emission control systems. 176 pages with photos and diagrams.			
5118	Any	Holley Carburetors, Manifolds & Fuel Injection - Revised 4th Edition 18.95 ea This book covers high performance carbs, selection and installation, the relationship between carb & manifold, air & fuel requirements and tuning. 223 pages with many photos.			
3889	68-82	How to Restore & Modify Your 68-82 Corvette 24.95 ea Guide to locating, evaluating, maintaining, hopping up & restoring 68-82 Corvettes. Hundreds of original pictures, drawings, charts, specifications and much more. 256 pages			
10494	68-82	Corvette Performance Projects 19.95 ea Over 30 repairs and upgrades. Including cooling, brakes, suspension, interior and stereo			
3862	68-82	Corvette Parts Interchange Manual 29.95 ea This manual is your guide to discovering which pieces from other Corvettes or other GM-made vehicles can be used to restore your Corvette.			
10184		Corvette Tech Q & A 17.95 ea Answers to the most common tech questions on Engines, Suspension, Brakes Driveline, etc			
3868	53-95	Chevrolet Corvette Purchase & Restoration Guide by Lindsay Porter 21.95 ea Includes a year-by-year model history from 1953-1995, plus advice on which models are the best and which to watch out for. Fully illustrated and detailed step by step photos, chapters on body work and frame, interior & trim, mechanicals and electricals. 256 pages			



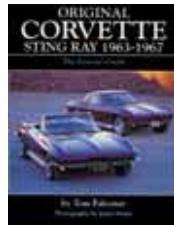
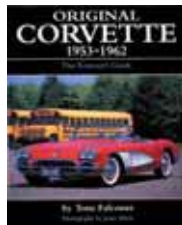
Headlight and Wiper Vacuum System Troubleshooting Guide





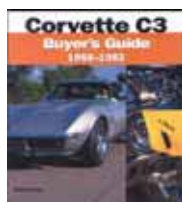
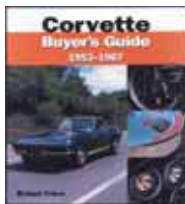
- 10489 Any **Corvette 50 Years (softbound) 24.95 ea**
Officially licensed by GM. It takes a colorful, nostalgic and commemorative look at the obstacles and achievements of Corvettes
384 pages
- 3853 53-81 **Birthplace of Legends 29.95 ea**
A story of Corvette production at the St Louis Assembly Plant from 1953-81. Vintage photos capture the spirit of those who made the dream car a reality. 146 pages
- 10182 Any **Zora-Arkus Duntov The Legend Behind Corvette 39.95 ea**
Tells the story of how a gifted engineer became the guiding force behind the Corvette and in the process became an American legend himself

- 10495 Any **Corvettes "The Cars that Created the Legend 24.95 ea**
An excellent photographic history of Corvettes. Packed with 150 full-color photos 176 pages
- 3840 63-67 **Corvette Stingray "Sports Car Color History" by Mike Mueller 22.95 ea**
Softbound book takes a colorful look at the history of the 63-67 in picture - oriented format. Over 80 color and 50 b & w photos show the Sting Ray 128 pages
- 6656 68-82 **Corvette Sports Car Color History by Mike Mueller 24.95 ea**
Same as #3840 above but for 68-82 Corvettes



- 10490 53-97 **Corvette - Collector's Library (previously Illustrated Corvette Buyer's Guide) ... 18.95 ea**
Specifications, value charts, driving tips, investment advice, 5 star rating system
- 3867 53-62 **Original Corvette 53-62 Restorer's Guide 39.95 ea**
- 3886 63-67 **Original Corvette 63-67 Restorer's Guide 35.95 ea**
- 10155 68-82 **Original Corvette 68-82 Restorer's Guide 35.95 ea**
This series pieces together essential information about your Corvette. Beautiful full color photos of outstanding examples of each model. Provides details of factory specs and equipment plus production history and changes.

- 3899 Any **Corvette Milestones by Mike Mueller 14.95 ea**
A full-color gallery, spanning four decades of Chevrolet's most prominent Corvettes. Shown are the SR-2, ZO6, ZR-1, LT-1, 25th, 35th and 40th Anniversary specials, Grand Sport, Airbox Fuelie, Indy Pace Car and More. Over 80 full color photos, 96 pages, softbound
- 3865 63-67 **Corvette Restoration Guide 29.95 ea**
Correctly finish your 63-67 to it's original factory specs. This information-packed reference outlines almost every part and subassembly necessary for a factory-original restoration. Filled with detailed schematics, charts, illustrations and photos.
- 3866 68-82 **Corvette Restoration Guide 29.95 ea**
Same as #3865 but for 68-82 Models



- 10531 53-67 **Corvette Buyer's Guide 24.95 ea**
The 53-67 Buyer's Guide helps you choose determine which is the best one for you
- 10493 68-82 **Corvette C3 Buyer's Guide 24.95 ea**
The 68-82 Corvettes are affordable, plentiful and restorable. This book helps you find the right one for you
- 5012 67 **Practical Restoration of a 67 Roadster by Don Sherman 29.95 ea**
Covers every aspect of a frame-up restoration plus searching for the right car, when to buy used or new, locating parts, what to do when parts don't fit and more.



Corvette American Legend Series

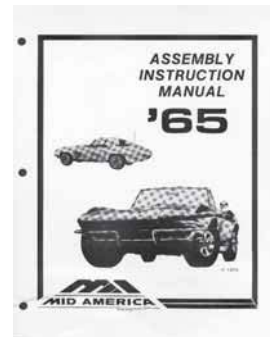
Noland Adams follows the planning & development of the first 53 Corvette through the model changes, engineering advances and racing heritage until 1957. Each book is over 200 pages and features hundreds of black & white photos from GM's archives.

- 5121 **Volume I The Beginning 29.95 ea**
- 5009 **Volume II 54-55 Production 29.95 ea**
- 5010 **Volume III 56 Racing Success 29.95 ea**
- 5011 **Volume IV 57 Fuel InjectionDISC**
- 10156 **Volume V 58-60 Production 29.95 ea**

ASSEMBLY MANUALS

These Manuals are a must for the novice or expert. It contains diagrams of all standard and optional parts with part numbers. (Specify Year When Ordering)

10054	56-82	ASSEMBLY MANUAL Binder	
		Special Price	4.00 ea
3809	56-62	Assembly Manuals	19.95 ea
3810	63-67	Assembly Manuals	19.95 ea
3811	68-82	Assembly Manuals	19.95 ea



OWNERS MANUALS & BAGS

Put the finishing touch on your Corvette with an Owners Manual. (Specify Year When Ordering)

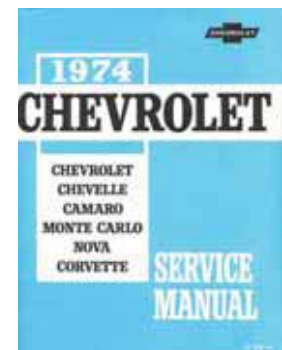
3816	56-57	Manuals	8.95 ea
3812	58-62	Manuals	8.95 ea
3813	63-67	Manuals	8.95 ea
3814	68-80	Manuals	8.95 ea
3817	81-82	Manuals	DISC
8092	82	Collector's Edition Owners Manual	CALL
3837	58-62	Owner's Manual Envelope (gray)	6.95 ea
3832	63-66E	Owners Manual Bag (before 3-16-66)	2.95 ea
3833	66L-68	Owners Manual Bag (after 3-16-66)	2.95 ea
3834	69-72	Owners Manual Bag	2.95 ea



SHOP / SERVICE MANUALS

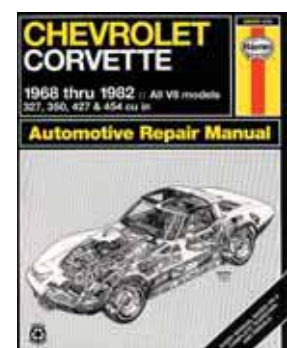
Shop/Service Manuals cover "On the Vehicle" repairs and maintenance to engine, chassis and mechanical components. Certain cars require 2 manuals.

3870	53-62	Manual	23.95 ea
3871	63	Manual	27.95 ea
3872	64	Supplement (also need 63)	14.95 ea
3873	65	Supplement (also need 63)	14.95 ea
3874	66	Manual	27.95 ea
3875	67	Manual	27.95 ea
3876	68	Manual	27.95 ea
3877	69	Manual	27.95 ea
3878	70	Manual	27.95 ea
3879	71	Manual	27.95 ea
3880	72	Manual	27.95 ea
3881	73	Manual	CALL
3882	74	Manual	39.95 ea
3883	75	Supplement (also need 74)	23.95 ea
3884	76	Supplement (also need 74)	23.95 ea
3885	77-82	Manuals (Specify Year)	DISC



3863	66-82	Owner's Workshop Manual	24.95 ea
		Over 300 pages of solid repair, troubleshooting, & tune-up information are combined from 17 years of GM service manuals. Covers small block, big block, tune-up, troubleshooting, fuel systems, ignition, cooling, driveline, chassis, electrical & specs. One Excellent Manual	

3891	68-82	Hayne's Corvette Workshop Manual	19.95 ea
		Includes complete engine tune-up, brake, cooling system and electrical specifications 372 pages	





58-62 USA-1



58-62 KHE 100 or 200



68-76 USA - 6



68-76 KHE 100 or 200



77-82 Kenwood 801



63-67 USA - 5



63-67 KHE



Soundbar

SPEAKERS

- 7836 53-57 Stereo Speaker (Dual 30 watts) 44.00 ea
- 1418 58-67 Stereo Speaker w/o Air..(Dual 30 watts) 39.95 ea
- 7837 63-67 Stereo Speaker with Air..(Dual 30 watts) ... 39.95 ea

Custom Dual 4" Prewired Speakers - designed to install in original area

- 7059 58-67 DVC Stereo Speaker w/o Air (140 Watts) 49.95 ea
DVC (Dual Voice Coil) speakers have up to 70% more cone area than regular dual speakers giving you improved bass response and 140 WATTS power handling. Both stereo channels connect directly to one speaker.

- 7060 68-82 Speakers 4 x 6 - Custom Autosound 49.00 pr
These 4 x 6 2 Way top dash or kick panel speakers handle 30 Watts a pair

- 7873 68-82 Speakers 4 x 6 - Kenwood 79.00 pr
These 4 x 6 dual cone top dash or kick panel speakers handle 60 Watts a pair

- 7869 78-82 Rear Speakers 6 x 9 - Custom Autosound 69.00 pr
These 6 x 9 3 Way rear speakers can handle 120 Watts a pair

- 7838 78-82 Rear Speakers 6 x 9 - Kenwood 89.00 pr
These 6 x 9 dual cone rear speakers can handle 150 Watts a pair

- 7839 78-82 Rear Speakers 6 x 9 - Pioneer 3 Way 149.00 pr
These 6 x 9 3 Way rear speakers can handle 220 Watts a pair

- 7859 63-82 Soundbar Speaker Assembly 109.95 ea
The 63-82 soundbar speaker assemblies are custom made units. They require no modification to install - aluminum tabs at the ends allow a pressure fit against the carpeting. These custom 3" deep assemblies have two 5" speakers, 2 mid range and two tweeters (200 Watts of power). Covered in black nylon velour, the soundbar is easily dyed to match your interior color if you so desire. On 68-76 Corvettes the courtesy light can easily be fitted into the foam center section. This unit will not affect T-Top storage or convertible top fold down.

- 7855 62-82 Radio Noise Suppression Kit 17.95 ea
Attaches to your alternator to suppress the whining, buzzing and hums it causes. Installation is simple - just connect 2 wires and the supplied mounting bracket. This kit will fit 62 - 82 Corvettes with an alternator.

*** LIMITED DISCOUNT Available on all Stereos and Related**



4 x 6 Speakers



6 x 9 Speakers



58-67 Speakers



#7046 CD Changer



CUSTOM AUTOSOUND

USA-1: Stereo with Cassette ~ Auto-Reverse ~ Tape Eject/Fast Forward & Rewind ~ 30 Presets (12AM/18FM) ~ Electronic Tuning ~ Preset Scan Seek & Scan ~ Separate Bass & Treble Controls ~ Left & Right Balance Control ~ Fader ~ Radio Intercept ~ RCA Pre-outs ~ Power Antenna Lead ~ Digital Clock ~ Best Station Memory ~ Local/Long Distance Button Video, MP3, iPod, Satellite Compatible
~ 200 WATTS of Power

USA-1 Available with a CHROME or BLACK Face - Specify

USA-5: Stereo with Cassette has a digital display hidden behind an analog dial for a more original look ~ Auto Reverse ~ Tape Eject/Fast Forward & Rewind ~ 30 Presets (12 AM/18 FM) ~ Electronic Tuner ~ Pre-set Memory Scan ~ Seek & Scan ~ Separate Bass & Treble Controls ~ Left & Right Balance Control ~ Fader ~ RCA Pre-outs ~ Power Antenna Lead ~ Digital Clock ~ Best Station Memory ~ Local/Long Distance Button ~ Metal Tape ~ **CD CHANGER CONTROLLER** (buttons on radio will control all functions of the optional 10 disc CD Changer we sell.
240 WATTS (4 x 60) of Power

USA-5 Available with a CHROME or BLACK Face - Specify

USA-6: Stereo (NO CASSETTE) has a digital display hidden behind an analog dial for a more original look ~ 25 Presets (10AM/15FM) ~ Electronic Tuner ~ Pre-set Memory Scan ~ Seek & Scan ~ Separate Bass & Treble Control ~ Left & Right Balance Control ~ 4-way Fader ~ RCA Pre-outs ~ Power Antenna Lead ~ Digital Clock ~ Best Station Memory ~ Local/Long Distance Button ~ **CD CHANGER CONTROLLER** (buttons on radio will control all functions of the optional 10 disc CD Changer we sell.
240 WATTS (4 x 60) of Power

USA-6 Available with a CHROME Face Only

#7046 10 Disc CD Changer 279.00 ea

This 10 disc changer plugs directly into the USA-5, USA-6 and Kenwood 801 stereos and is controlled by the buttons on the face of the stereo. Features Dual 1 bit D/A converter ~ 8 times over sampling ~ spring loaded oil damped suspension system ~horizontal or vertical mounting.
 Size: 9 3/4" w x 3 1/2" h x 6 3/4" d

Custom Autosound and KHE Stereos are Custom-Fit for 53-82 Corvettes. Fit in a stock dash with no modifications.

USA-2: Stereo AM/FM No Cassette. (18 FM/12 AM Presets) Left & Right Balance ~ Separate Bass & Treble 4 Channel RCA Outputs & Input for iPod, MP3, DVD, Satellite, etc Upgraded AM/FM Tuners For Optimum Reception Seek and Scan ~ Power Antenna Lead New Electronic Volume and Tuning Controls Digital Clock ~ 2 Year Warranty

This stereo is manufactured by Custom Autosound

200 WATTS of Power (4 x 50)

USA-2 Available with a CHROME or BLACK Face - Specify

KHE Stereos

KHE 100: Stereo Cassette with CD Changer Controller (will work with any FM Modulated CD Changer) ~ Auto Reverse ~ Locking FF & RW ~ Separate Bass & Treble ~ 4 Way Fader ~ 20 Presets 15 FM/5 AM ~ Manual Tuning ~ Preset Scan ~ Seek Auto Tune ~ Auto Store ~ Auto Stereo-Mono ~ Power Antenna Lead ~ LCD w/Green Illumination ~ RCA Pre-outs ~ Auxiliary Input ~ Clock

100 WATTS of Power (4 x 25)

Available with a CHROME or BLACK Face - Specify

KHE 200: Same Features as the KHE-100 but with twice as much power

200 WATTS of Power (4 x 50)

Available with a CHROME or BLACK Face - Specify

USA-5, USA-6

CD PACKAGES - See Chart Below

CUSTOM AUTOSOUND & KHE PRICING (Limited Discount Available)

Year	USA-1	USA-5	USA-5 CD Package	USA-6	USA-6 CD Package	KHE 100	KHE 200	USA-2	
53-57	#7856 \$199.00	#7021 \$279.00	#7022 \$529.00	#7023 \$239.00	#7019 \$489.00 LD	#7045 \$199.00	#7670 \$259.00	#10641 \$169.00	
58-62	#7822 \$199.00	#7118 \$279.00	#7439 \$529.00	#7469 \$239.00	#7493 \$489.00 LD	#7047 \$199.00	#7671 \$259.00	#10642 \$169.00	
63-67	#7824 \$199.00	#7119 \$279.00	#7452 \$529.00	#7497 \$239.00	#7494 \$489.00 LD	#7037 \$239.00	#7672 \$299.00	#10643 \$169.00	
68-76	#7832 \$199.00	#7120 \$279.00	#7458 \$529.00	#7498 \$239.00	#7495 \$489.00 LD	#7040 \$199.00	#7673 \$259.00	#10644 \$169.00	
77-82	#7834 \$199.00	#7161 \$279.00	#7459 \$529.00	#7499 \$239.00	#7496 \$489.00 LD	#7041 \$199.00	#7674 \$259.00	#10645 \$169.00	



68-71 Pioneer



Sanyo

All stereos on this page include a gauge bezel with a custom designed opening that allows you to have an in-dash CD player. You will have to transfer your factory gauges and vents into the new bezel. No cutting, no gaps, no fitting just good looks & great sounds.



Audiovox



72-76 Sony

1968-1982 AUDIOVOX Stereo with Built-In CD Player includes Gauge Bezel

- * 28 Watts
 - * 8x Over Sampling Track/Search/Cue/Intro Shuffle/Repeat
 - * Electronic Bass & Treble
 - * Quartz Clock
 - * Loudness Control
 - * Mono/Stereo
 - * Auxiliary in on Front Panel
 - * Green Backlit
 - * Electronic Balance & Fader
 - * 4 Way Fader
 - * Audio Mute
 - * RCA Pre-Out
 - * Electronic Manual Tune Up-Down No Presets
- | | | | | | |
|--------|-------------|-----------|--------|-------------|-----------|
| #10610 | 68-71 | 309.00 ea | #10613 | 78-80 | 269.00 ea |
| #10611 | 72-76 | 309.00 ea | #10614 | 81-82 | 269.00 ea |
| #10612 | 77 | 269.00 ea | | | |

1968-1982 PIONEER Stereo with Built-In CD Player includes Gauge Bezel

- * 200 Watts
 - * XM Radio Ready
 - * Disc Title Memory
 - * CD Changer Control
 - * 3-Band Parametric Equalizer
 - * 2 pr RCA Pre-Out (front & rear)
 - * 24 Station/6 Button Presets
 - * Automatic Gain Control
 - * Popul Rotary Volume Control
 - * Selectable Front Image Enhancer
 - * LCD Display with LED Backlight
 - * Flip Face
 - * Remote Control
 - * AM/FM CD Player
 - * MP3/CD-R/CD-RW Compatible
 - * CD Text
 - * External DVD Control
 - * Selectable Fader
 - * Selectable Loudness (3 Mode)
 - * Best Station Memory
 - * Super Tuner IIID
 - * Wired Remote Input
 - * Source Level Adjuster
 - * Blue Illumination
 - * Detachable Face
- | | | | | | |
|--------|-------------|-----------|--------|-------------|-----------|
| #10590 | 68-71 | 459.00 ea | #10593 | 78-80 | 429.00 ea |
| #10591 | 72-76 | 459.00 ea | #10594 | 81-82 | 429.00 ea |
| #10592 | 77 | 429.00 ea | | | |

1968-1982 SANYO Stereo with Built-In CD and Cassette includes Gauge Bezel

- * 180 Watts
 - * CD Player
 - * Cassette Player (auto reverse)
 - * Detachable Face
 - * Green Backlit
 - * CD Changer works up to 2 Sanyo CD Changers
 - * Dolby B
 - * Clock
 - * Power Antenna/Amplifier Lead
 - * Music Search
 - * Stereo Quartz PLL Digital Tuner
 - * 18 Station Presets
 - * 12 Travel Presets
 - * BASSXPANDER Sound Systems
 - * Multi-function Display
 - * Electronic Controls for Volume, Bass, Treble, Balance & Fader
 - * RCA Line Out
- | | | | | | |
|--------|-------------|-----------|--------|-------------|-----------|
| #10605 | 68-71 | 539.00 ea | #10608 | 78-80 | 499.00 ea |
| #10606 | 72-76 | 539.00 ea | #10609 | 81-82 | 499.00 ea |
| #10607 | 77 | 499.00 ea | | | |

1968-1982 KENWOOD Stereo with Built-In CD Player includes Gauge Bezel

- * 200 Watts
 - * Sirius Satellite Radio Ready
 - * Random & Repeat Play
 - * Rear Preouts
 - * Loudness Control
 - * Mosfet Power Amplifier
 - * Automatic Memory Entry
 - * Detachable Face
 - * HD Radio Ready
 - * AM/FM CD Player
 - * CD, CD-R/RW Playback
 - * CD Changer Controller
 - * Bass/Mid/Treble Tone Controls
 - * Front/Rear Fader
 - * 24 Presets
 - * Seek Tuning
 - * Clock
 - * Remote Control
- | | | | | | |
|--------|-------------|-----------|--------|-------------|-----------|
| #10595 | 68-71 | 459.00 ea | #10598 | 78-80 | 429.00 ea |
| #10596 | 72-76 | 459.00 ea | #10599 | 81-82 | 429.00 ea |
| #10597 | 77 | 429.00 ea | | | |

1968-1982 SONY Stereo with Built-In CD Player includes Gauge Bezel

- * AM/FM CD Player
 - * MP3/CD-R/CD-RW Compatible
 - * Selectable Fader/Balance Control
 - * 208 Watts (52 Watts x 4)
 - * Wireless Remote Control
 - * Clock
 - * 3 Band Equalizer
 - * ATRAC3 Plus Compatible
 - * Seek/Scan
 - * 24 Station/6 Button Presets
 - * Detachable Face
 - * 1-Preamp Output
- | | | | | | |
|--------|-------------|-----------|--------|-------------|-----------|
| #10600 | 68-71 | 459.00 ea | #10603 | 78-80 | 429.00 ea |
| #10601 | 72-76 | 459.00 ea | #10604 | 81-82 | 429.00 ea |
| #10602 | 77 | 429.00 ea | | | |

1968-1982 Bezel Only Precut for your own indash CD Player

- | | | | |
|--------|-------|-------------------------------------|-----------|
| 10575 | 68-71 | Dash Bezel - Precut (Metal) | 229.00 ea |
| 10576 | 72-76 | Dash Bezel - Precut (Metal) | 229.00 ea |
| 10577 | 77 | Dash Bezel - Precut (Plastic) | 179.00 ea |
| 10578B | 78-80 | Dash Bezel - Precut (Plastic) | 179.00 ea |
| 10579 | 81-82 | Dash Bezel - Precut (Plastic) | 179.00 ea |

ORDERING INFORMATION AND POLICIES

ORDERING INFORMATION

Rush Orders: Need your order shipped the same day? Just ask for Rush Service. The cost for this service is an additional \$4.00 and you must call the order in by 2:00 pm Eastern Time. Always ask us to check stock on Rush Orders.

Minimum Order: A \$20.00 minimum parts order is required.

By PHONE: Orders are processed in the order they are received -if you want same day processing see above "Rush Orders".

By FAX: Our fax machine receives orders 24 hours a day. Fax orders are processed no later than the next business day. Please be sure to include all necessary information - especially your daytime phone number.

By MAIL: Mail orders are processed within 24 hours of receipt. Please include a daytime phone number.

By ON-LINE: We have a secure on-line order form that you can fill out 24 hours a day.

Payment Methods: VISA, Mastercard and Discover Cards are accepted. Prepaid mail orders may send a check, money order, cashier's check or credit card. All credit card orders please include card #, exp date, cardholder's name and billing address.

SHIPPING INFORMATION

1) **Shipping on Prepaid Orders** - please call for shipping costs (have your parts list in front of you when calling).

2) **UPS & FedEx Ground Service** - all orders will be shipped by Ground Service unless:
a) customer requests other means of delivery
b) customer's location is not served by Ground Service
c) the package's size is over the limit

3) **UPS & FedEx 3 Day Service** - customers on the West Coast benefit from this service. The cost is more than Ground but less than Air Service. Rates are based on dimensional weight - call for costs.

4) **UPS & FedEx Next Day Air and 2-Day Air** -due to the fact that rates are based on the dimensions on the box and where you live please call for pricing.

5) **UPS & FedEx Saturday Delivery** - Items must be sent Next Day Air on Friday. The cost is Next Day Air costs plus \$12.50.

6) **Truck Shipping** - some parts in our catalog are too large to ship by UPS. These parts are denoted by (T) in their description. Call for approximate shipping costs. Shipping is paid upon delivery.

7) **HAWAII, ALASKA and PUERTO RICO** - All orders must be shipped by UPS 2nd Day Air, Next Day Air or U.S. Postal Service. Please specify which method you prefer.

8) **APO, FPO, GUAM, VIRGIN ISLANDS** - All orders to these locations must be sent by the U.S. Postal Service.

9) **CANADA** - UPS Ground and Air Service is available to most locations in Canada. Orders can be shipped by the Post Office if you prefer or if UPS does not deliver to your address. A \$5.00 processing fee will be charged on all Canadian orders to cover the costs of filling out the extra documents required.

10) **INTERNATIONAL ORDERS** - Orders will be shipped by Burlington Air Express, UPS International Air or Air Express International whichever is less expensive. If you request the order be shipped by U.S. Postal Service you assume all risk and responsibility if the package is lost, damaged or

delayed. We can quote you price on any shipping method you choose. All shipping charges and a \$5.00 handling fee will be applied to your credit card. All customs fees and duty must be paid by the customer.

POLICIES

Returns and Exchanges

1) **ALL RETURNS** require an authorization number or they will not be processed.

2) **NO RETURNS ON:**

- Any part **OVER 30 DAYS** from ship date
- Electrical Parts
- Any part that has been installed or altered in any way
- Non-stocked items such as fiberglass parts shipped by truck or interior parts that are of unusual color or are non-original
- All Special Orders

3) Please notify us within **10 days** of receipt that you wish to return an item. We will supply you with a Return Authorization Number. Absolutely no returns or exchanges will be accepted without the number. **Any item returned later than 30 days from ship date is subject to a restocking fee.**

4) *Corvette World* must be notified of all returns and a copy of the original invoice must be included with return - Or your return will not be processed.

5) C.O.D. return packages will not be accepted.

6) Any item returned that was shipped correctly by *Corvette World* is subject to a 15% restocking fee.

7) **CORE RETURNS:** Rebuildable cores must be returned within 30 days from the ship date - or your refund may be reduced or lost.

Damages and Shortages

1) **Damages**

If your order arrives damaged, immediately notify the carrier and *Corvette World*. Please keep all boxes and packaging materials until an inspection has been made by the carrier.

2) **Shortages**

If the shortage is a result of damage, follow the above instructions. If the shortage is due to an error by *Corvette World*, you must notify us within 2 days of delivery.

Disclaimer: *Corvette World* is not responsible for printing errors.

Prices are Subject to Change Without Notice :

Due to the length of time our catalogs are in effect, changes may occur in price, description or availability.

Sales Tax: Any order being shipped to an address in the state of Pennsylvania must add 6% Sales Tax.

Backorders: Due to the large variety of parts we handle, backorders are an unavoidable occurrence. Normally backorders are shipped within 2 weeks. After 30 days you will be notified before shipping. Please notify *Corvette World* as soon as possible if you wish to cancel a backorder or you may be responsible for the shipping charges incurred by us.

Liability Disclaimer: *Corvette World* will not be responsible for any damage or loss caused by delays, failure or any other consequential damage arising from any cause whatsoever, nor for labor, transportation or any other charges incurred in the replacement or repair of a defective item.

Due to various conflicting opinions regarding correct applications for any part, we advise the customer to check the latest judging manuals for appropriate applications before purchasing.